



US00D629013S

(12) **United States Design Patent**
Song et al.

(10) **Patent No.:** **US D629,013 S**

(45) **Date of Patent:** **** Dec. 14, 2010**

(54) **AUDIO PLAYER**

(75) Inventors: **Xiaofeng Song**, Shanghai (CN); **Takuro Hibino**, Tokyo (JP)

(73) Assignee: **Sony Corporation**, Tokyo (JP)

(**) Term: **14 Years**

(21) Appl. No.: **29/347,504**

(22) Filed: **Feb. 12, 2010**

(30) **Foreign Application Priority Data**

Aug. 14, 2009 (CN) 2009 3 0206504

(51) **LOC (9) Cl.** **14-01**

(52) **U.S. Cl.** **D14/500**

(58) **Field of Classification Search** D14/496,
D14/498-505, 167-168, 188, 197-198, 214;
360/99.02, 99.07; 369/75.11, 75.21, 77.11,
369/77.21; 720/601, 612, 619, 649, 655;
455/344, 347-351

See application file for complete search history.

(56) **References Cited**

U.S. PATENT DOCUMENTS

D410,925 S	6/1999	Kawase et al.	
D420,000 S	2/2000	Yoneda	
D442,160 S	5/2001	Tsuchiya	
D477,299 S	7/2003	Kobayashi	
D509,821 S *	9/2005	Hirano D14/168
D526,992 S	8/2006	Sakai	

D547,299 S	7/2007	Obata
D557,262 S	12/2007	Sakai
D574,873 S	8/2008	Hisatsune
D578,506 S	10/2008	Nakamura
D581,392 S	11/2008	Zheng

* cited by examiner

Primary Examiner—Nanda Bondade

(74) *Attorney, Agent, or Firm*—Rader, Fishman & Grauer PLLC

(57) **CLAIM**

The ornamental design for an audio player, as shown and described.

DESCRIPTION

FIG. 1 is a perspective view of an audio player showing our new design;

FIG. 2 is a front elevational view thereof;

FIG. 3 is a left side elevational view thereof;

FIG. 4 is a right side elevational view thereof;

FIG. 5 is a top plan view thereof;

FIG. 6 is a bottom plan view thereof; and,

FIG. 7 is a rear elevational view thereof.

The portions that are shown in even broken lines are for illustrative purposes only and form no part of the claimed design. The dot-dash broken lines shown in drawings define, but are not included in, the boundaries of the claimed design.

1 Claim, 6 Drawing Sheets

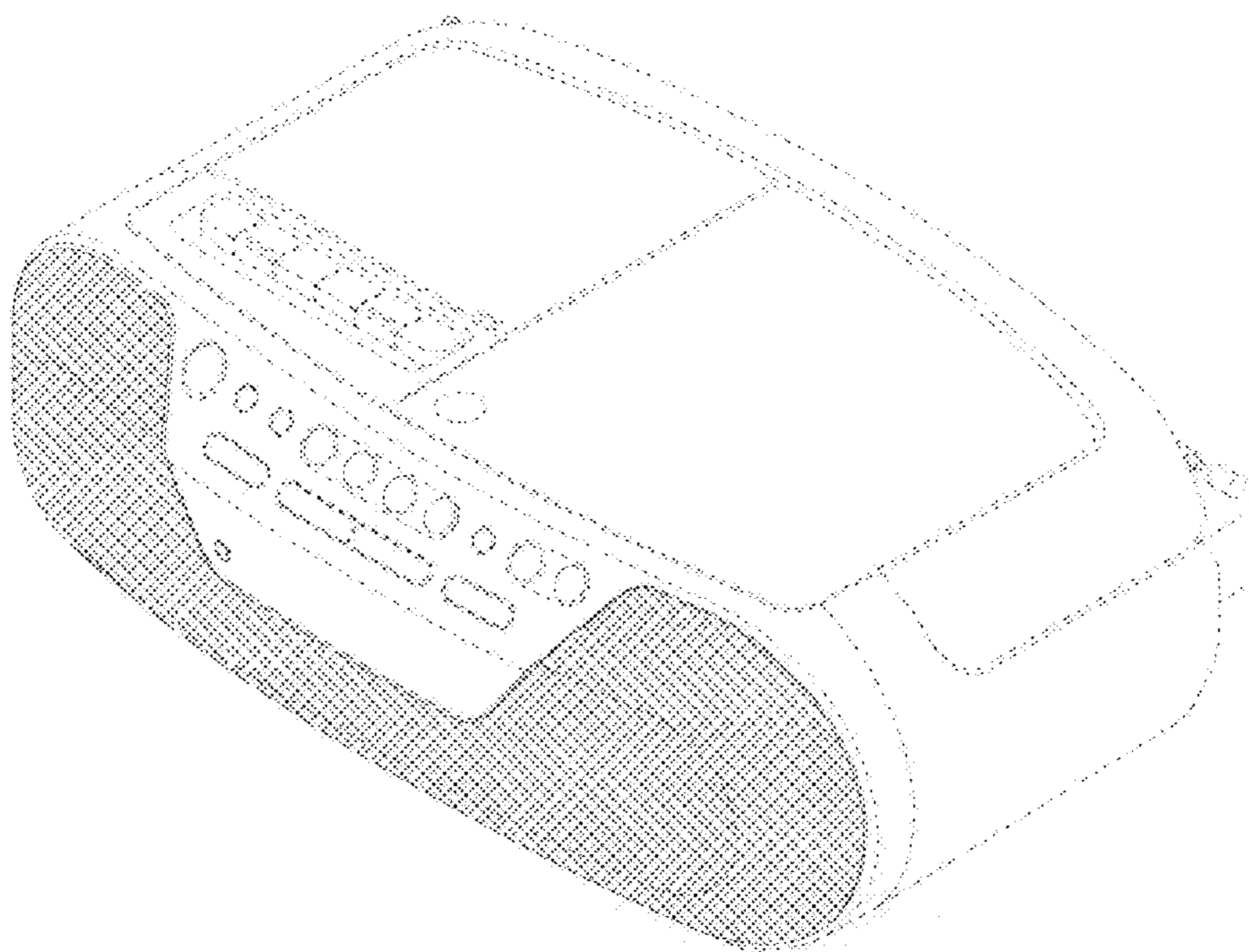


FIG. 1

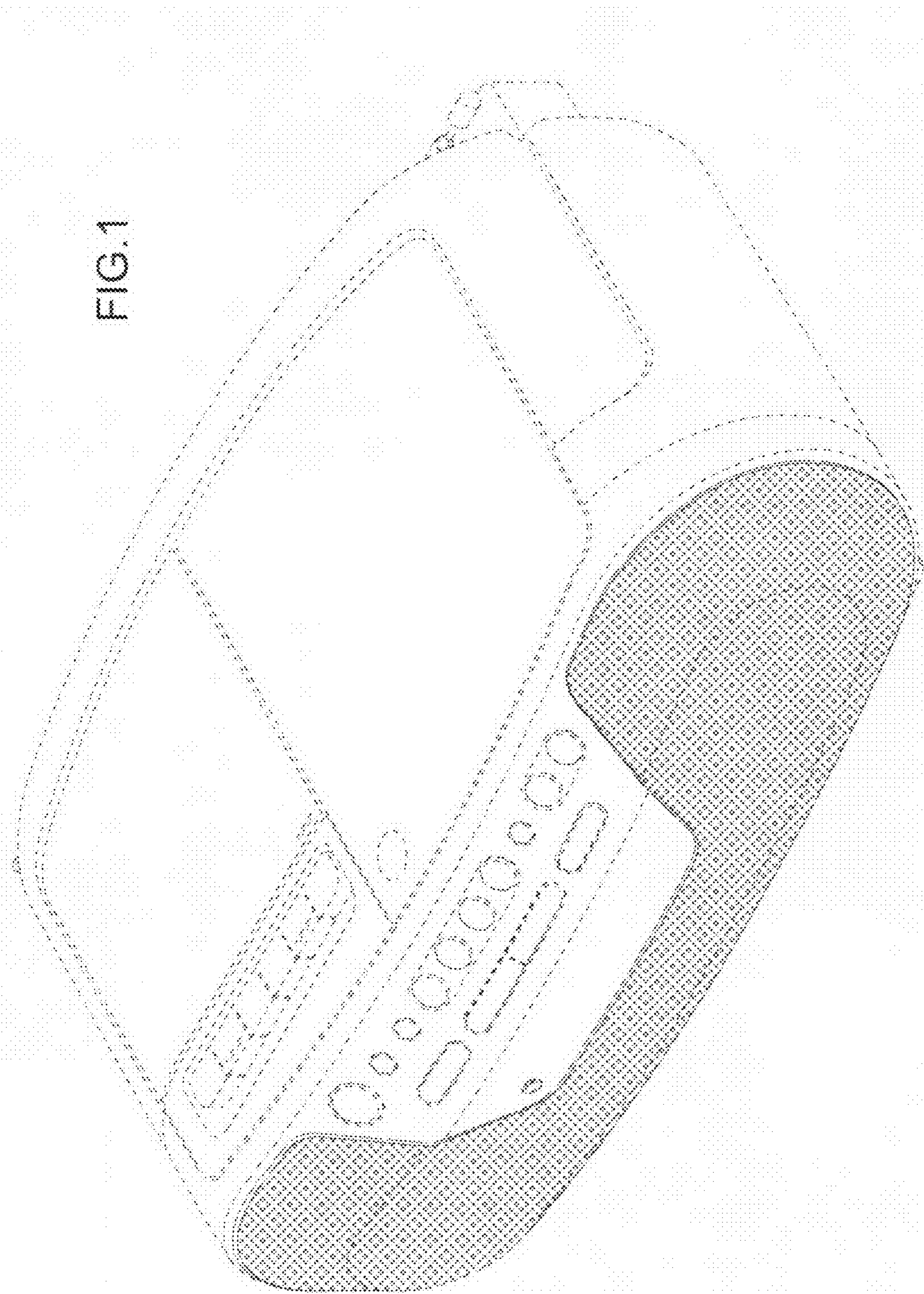


FIG. 2

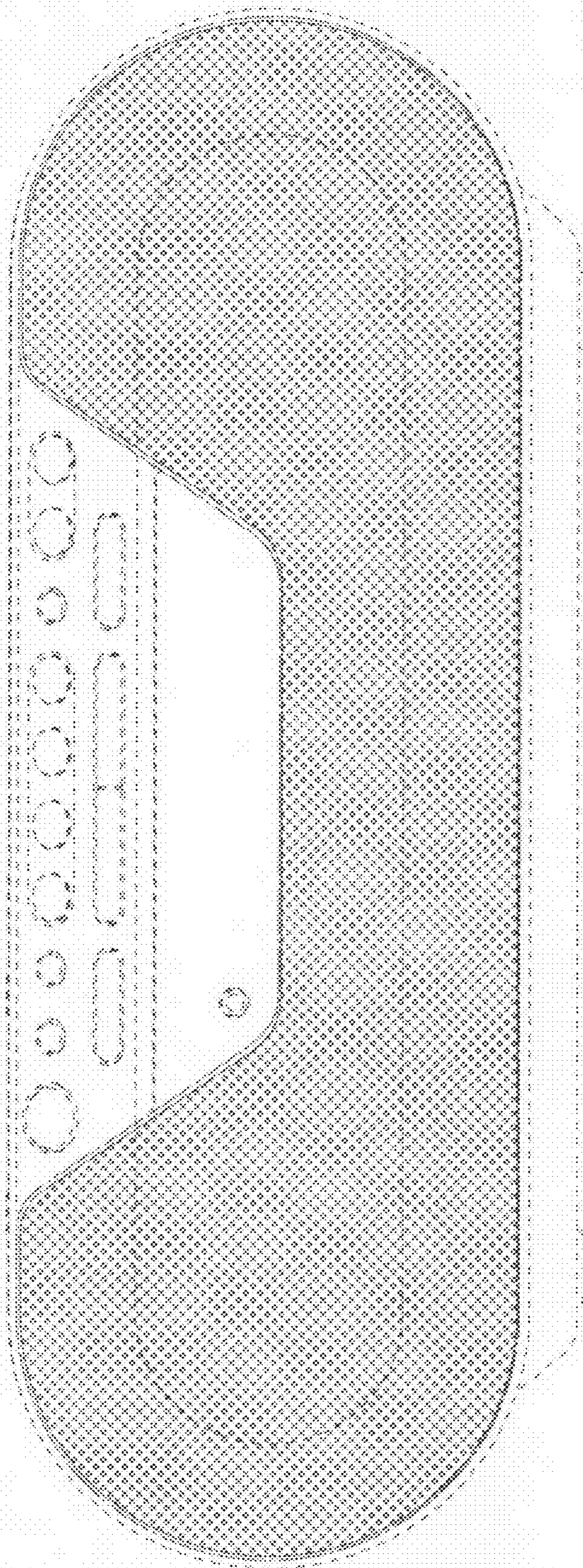


FIG.3

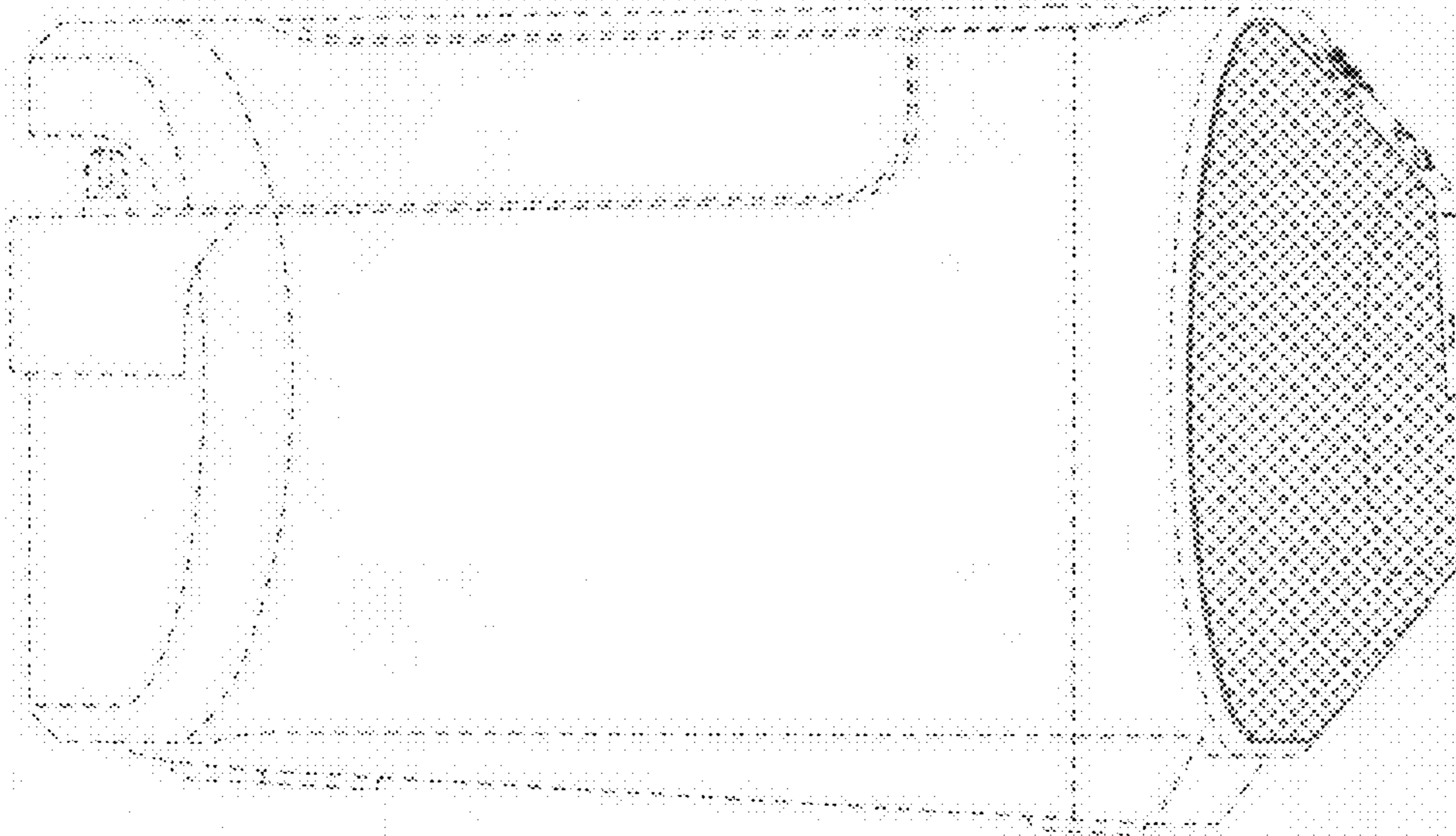


FIG.4

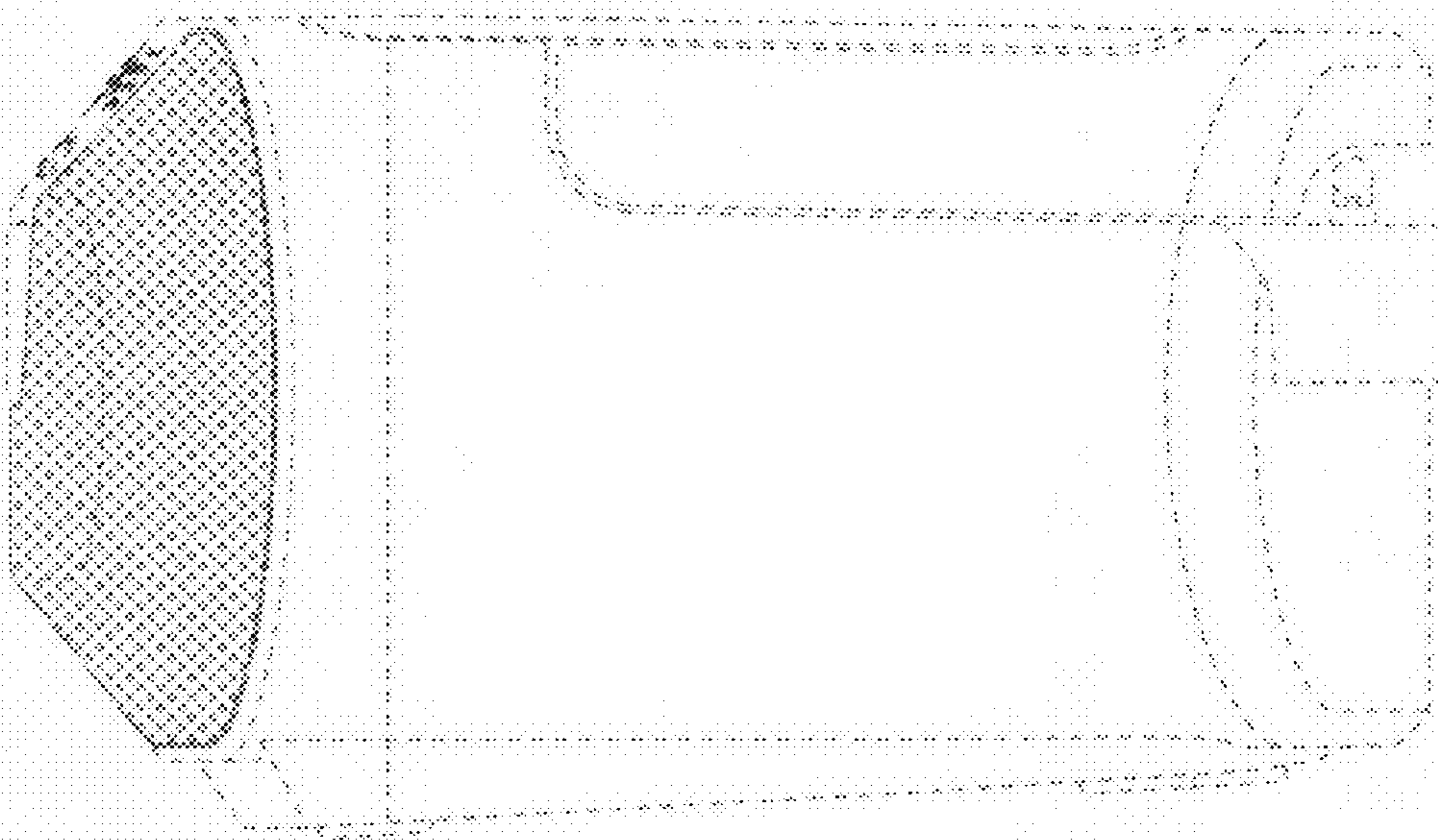


FIG. 5

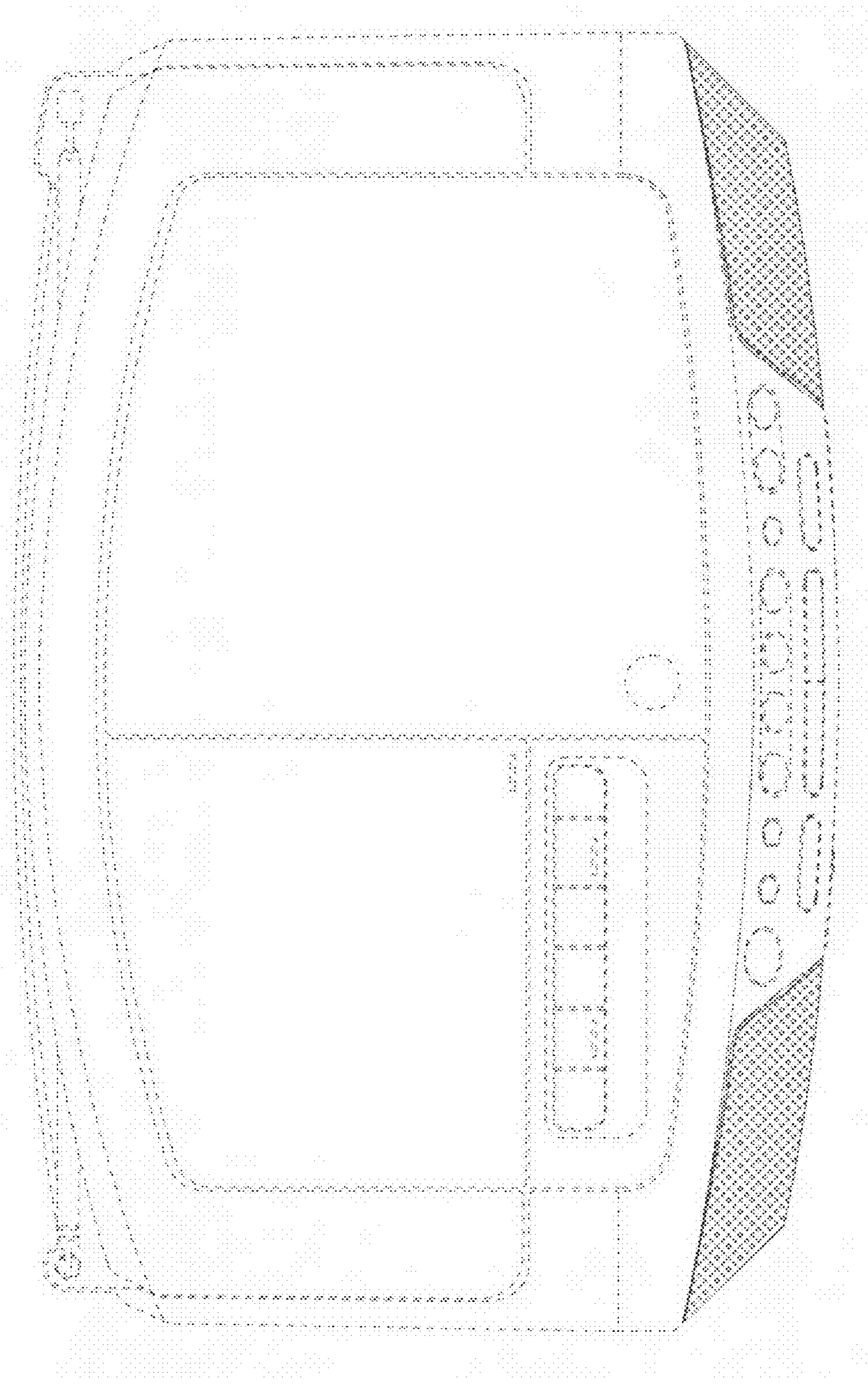


FIG.6

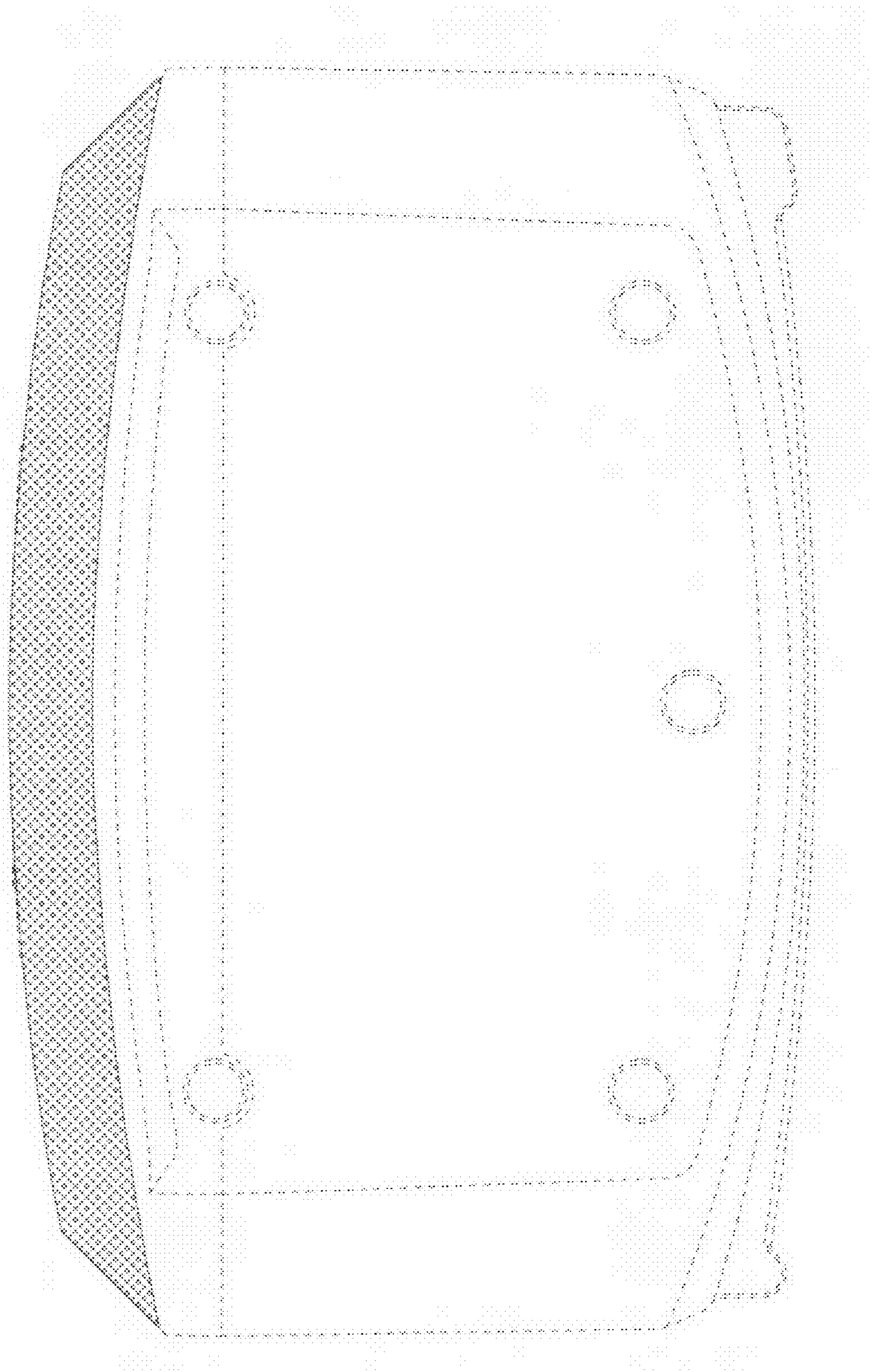


FIG. 7

