



US00D629012S

(12) **United States Design Patent**  
**Lee**

(10) **Patent No.:** **US D629,012 S**  
(45) **Date of Patent:** **\*\* Dec. 14, 2010**

(54) **DIGITAL AUDIO PLAYER**

(75) Inventor: **Wai Chung David Lee**, Hong Kong  
(HK)

(73) Assignee: **Koninklijke Philips Electronics N.V.**,  
Eindhoven (NL)

(\*\*) Term: **14 Years**

(21) Appl. No.: **29/362,321**

(22) Filed: **May 24, 2010**

(30) **Foreign Application Priority Data**

Nov. 25, 2009 (EM) ..... 001640228-0007

(51) **LOC (9) Cl.** ..... **14-03**

(52) **U.S. Cl.** ..... **D14/496; D14/203.7**

(58) **Field of Classification Search** ..... D14/496,  
D14/401, 435, 474, 483, 217, 137, 138, 160,  
D14/168, 356, 203.1-203.8, 507; 345/156,  
345/169, 173-179, 905; 715/727-729, 864;  
710/1, 5, 8; 713/1, 600; 455/1.1, 1.7, 73,  
455/344-347, 93, 95, 3.01-3.06, 550.1, 573.1;  
370/342-344; 369/1, 2, 6-12; 463/43-47;  
273/148 B

See application file for complete search history.

(56) **References Cited**

**U.S. PATENT DOCUMENTS**

D441,735 S \* 5/2001 Katayama ..... D14/203.7

6,540,611 B1 \* 4/2003 Nagata ..... 463/31  
6,642,629 B2 \* 11/2003 DeLeeuw ..... 307/10.1  
6,825,832 B2 \* 11/2004 Chung et al. .... 345/168  
6,850,256 B2 \* 2/2005 Crow et al. .... 715/798  
D511,500 S \* 11/2005 Mahoney ..... D13/154  
D519,522 S \* 4/2006 Lee ..... D14/203.7  
D542,303 S \* 5/2007 Cheng ..... D14/496  
D558,228 S \* 12/2007 Toh et al. .... D14/496  
D558,790 S \* 1/2008 Yu et al. .... D14/496  
D619,217 S \* 7/2010 Jian et al. .... D23/229  
2005/0264990 A1 \* 12/2005 LaGarde ..... 361/683

\* cited by examiner

*Primary Examiner*—Prabhakar Deshmukh

(57) **CLAIM**

The ornamental design for a digital audio player, as shown.

**DESCRIPTION**

FIG. 1 is a perspective view showing my design;

FIG. 2 is a front elevational view thereof;

FIG. 3 is a rear elevational view thereof;

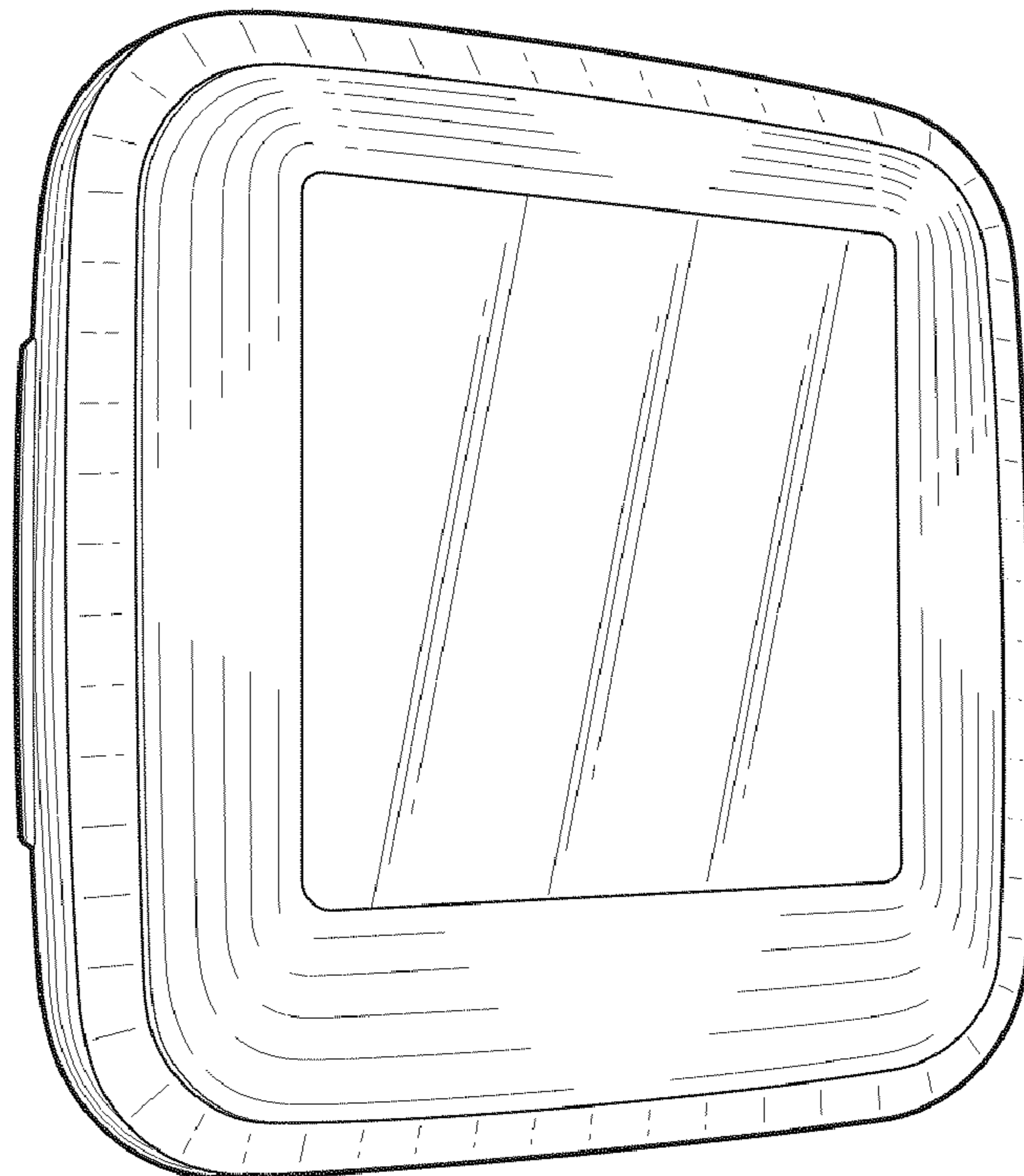
FIG. 4 is a right side elevational view thereof;

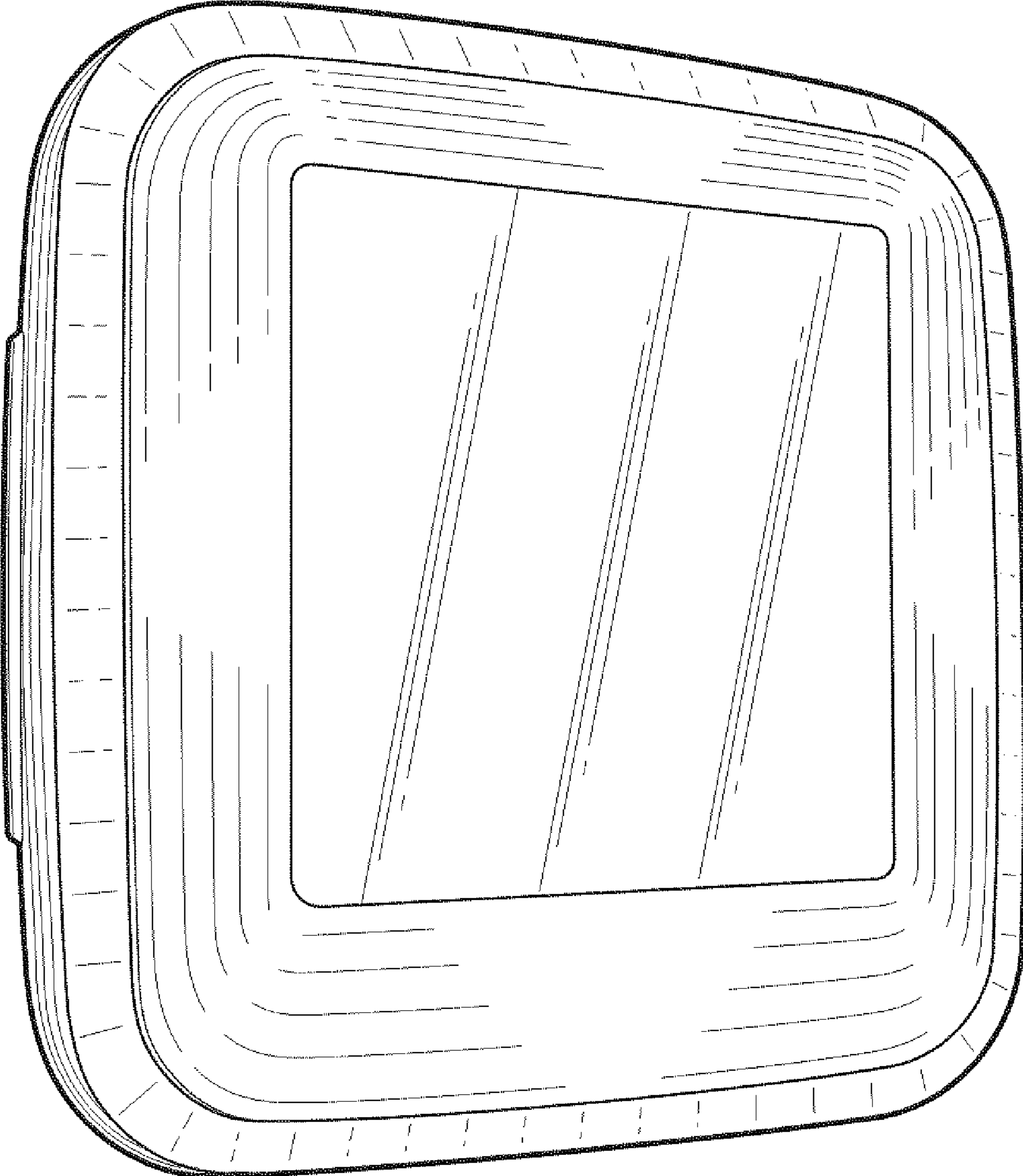
FIG. 5 is a left side elevational view thereof;

FIG. 6 is a top plan view thereof; and,

FIG. 7 is a bottom plan view thereof.

**1 Claim, 3 Drawing Sheets**





**FIG. 1**

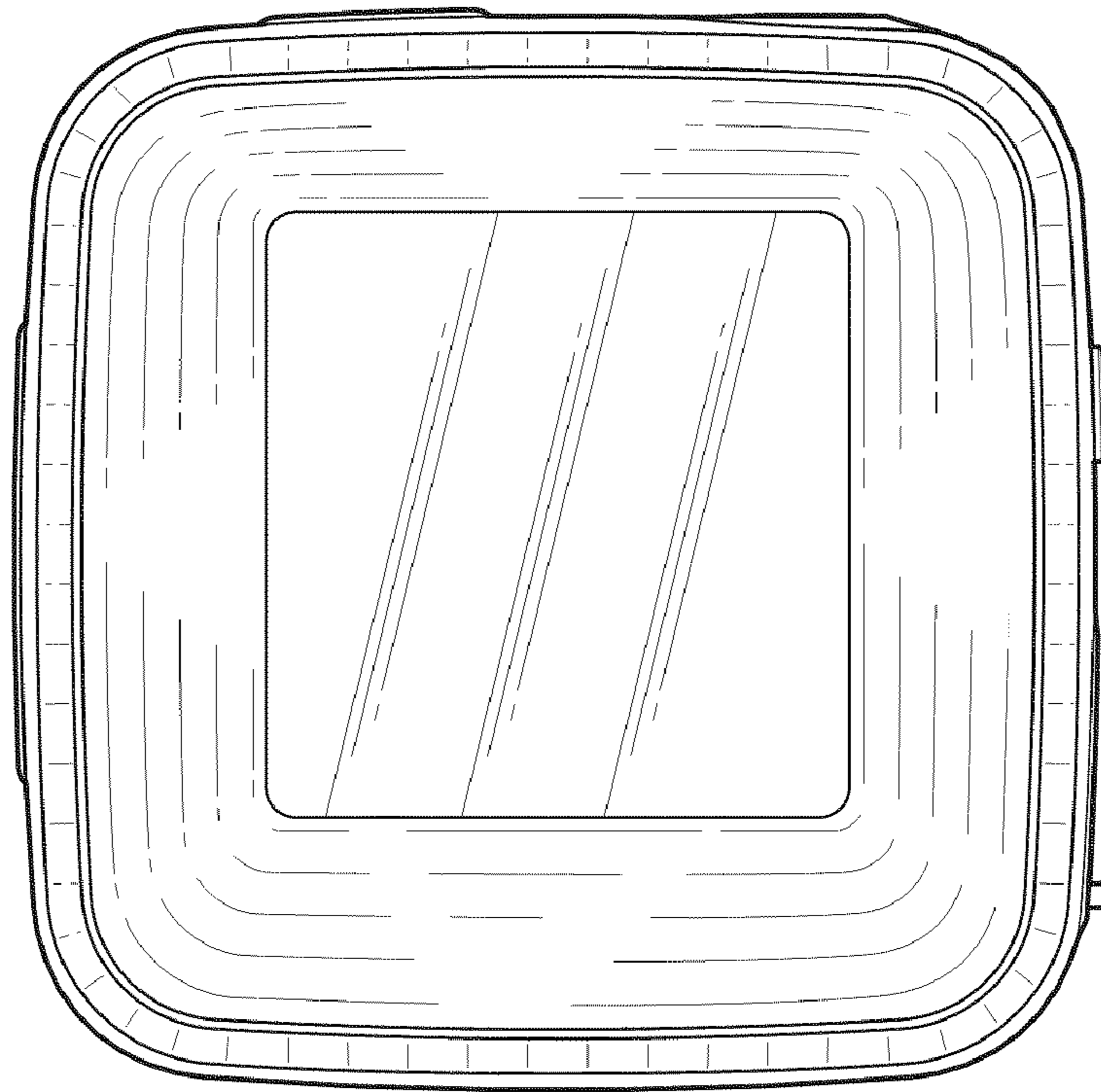


FIG. 2

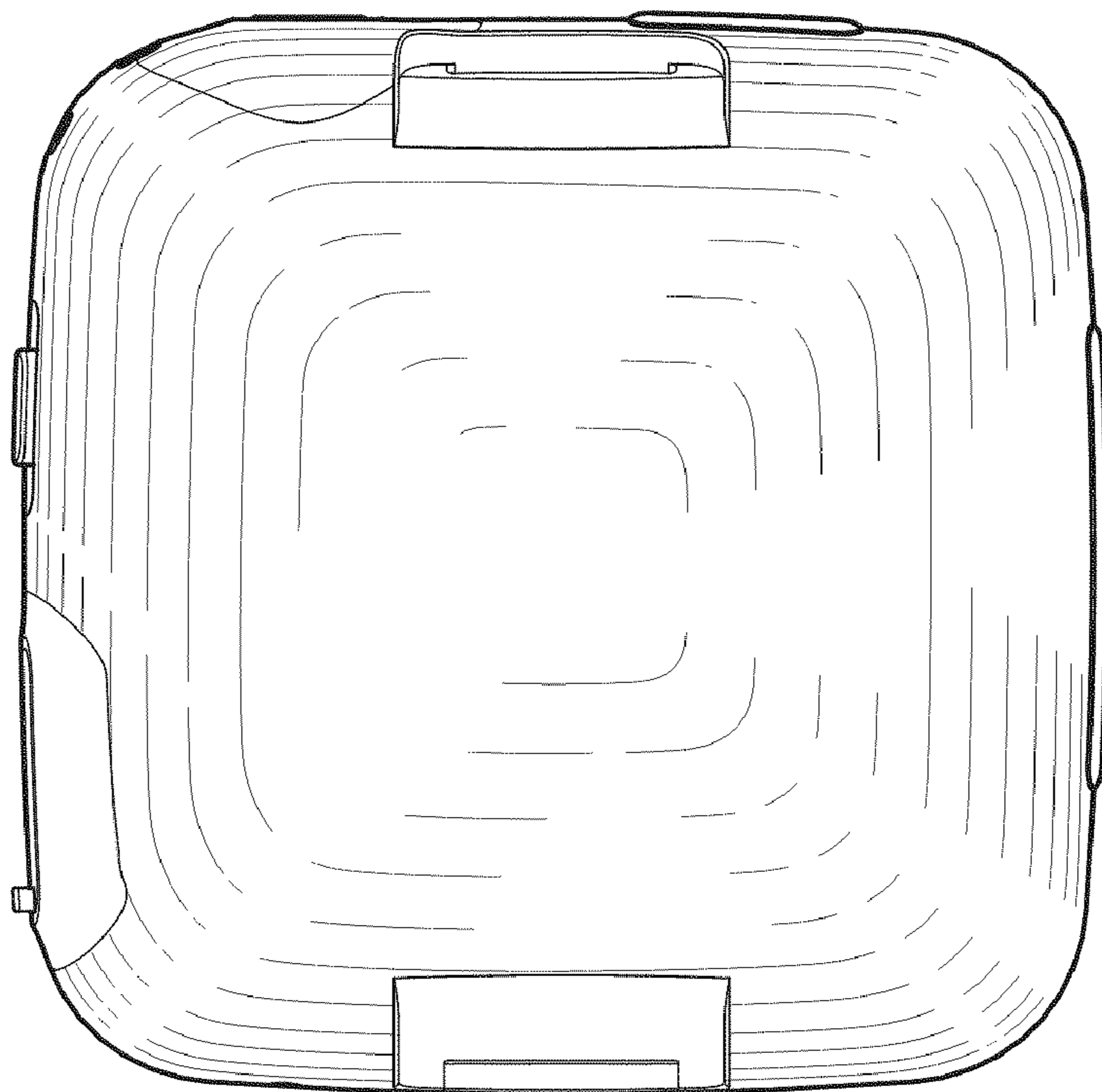


FIG. 3

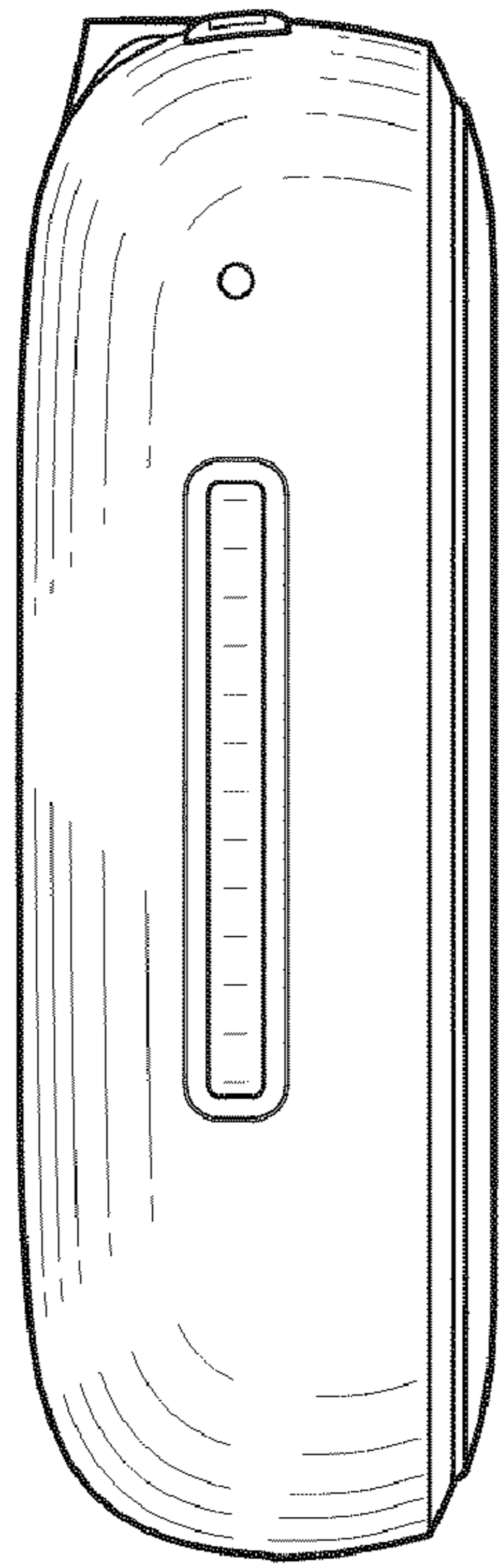


FIG. 4

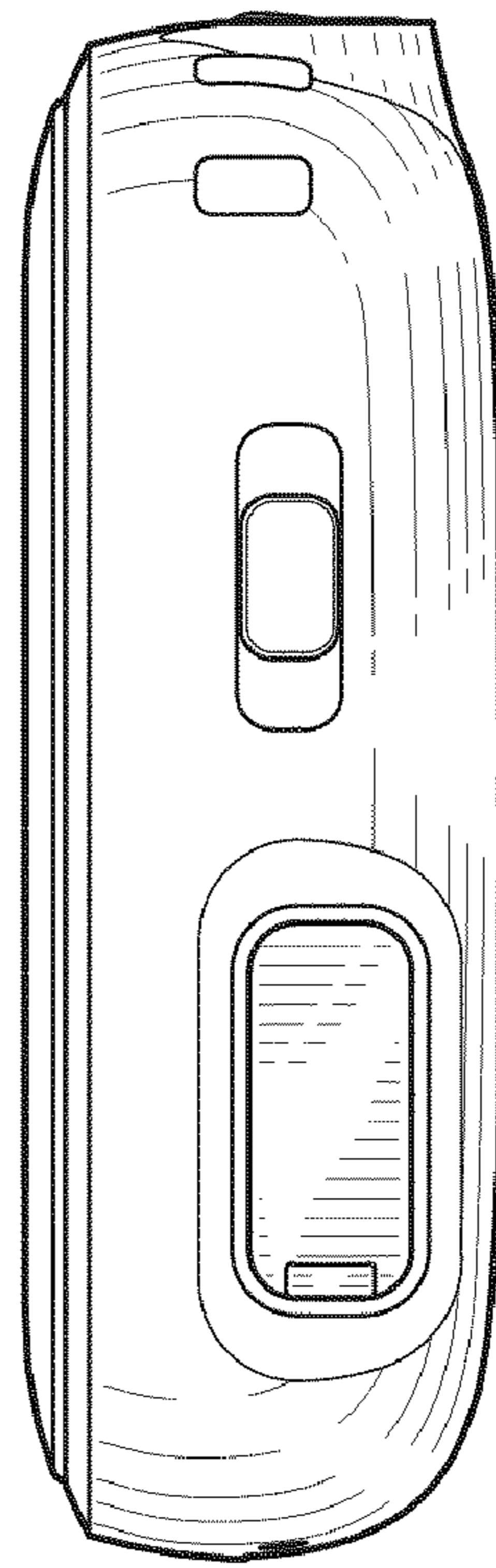


FIG. 5

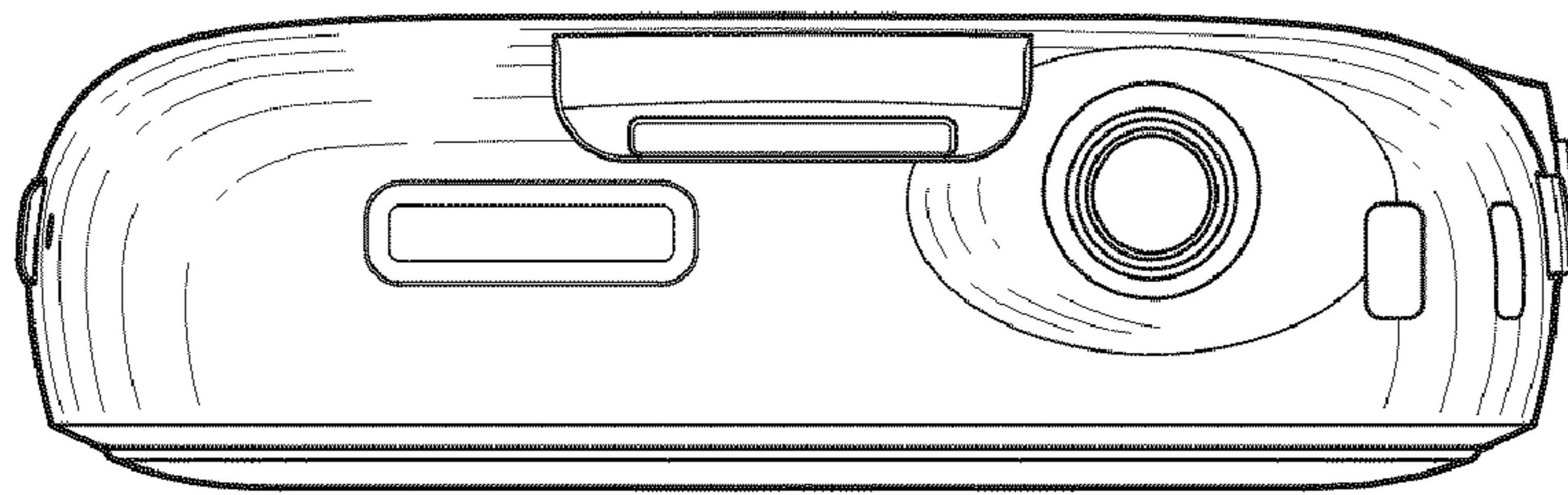


FIG. 6

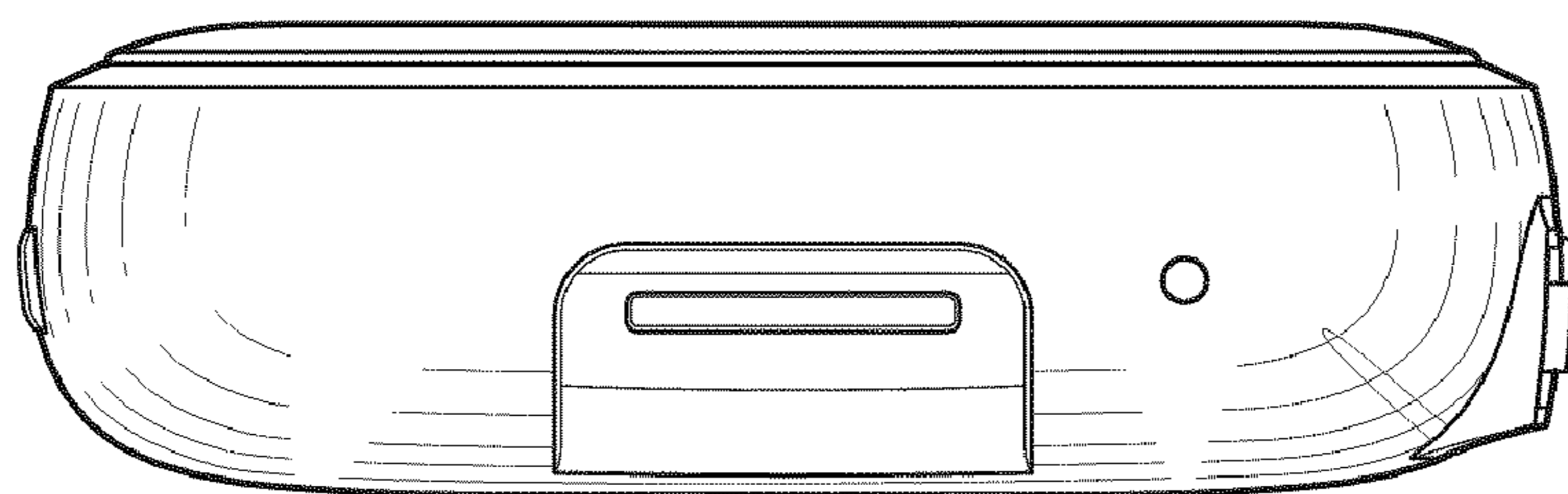


FIG. 7