



US00D629009S

(12) **United States Design Patent**
O'Donnell et al.

(10) **Patent No.:** **US D629,009 S**

(45) **Date of Patent:** **** Dec. 14, 2010**

(54) **ICON FOR A PORTION OF A DISPLAY SCREEN**

(75) Inventors: **Adrienne E. O'Donnell**, Seattle, WA (US); **Michael A. LaJoie**, Seattle, WA (US)

(73) Assignee: **Microsoft Corporation**, Redmond, WA (US)

(**) Term: **14 Years**

(21) Appl. No.: **29/331,523**

(22) Filed: **Jan. 27, 2009**

Related U.S. Application Data

(60) Division of application No. 29/276,120, filed on Jan. 16, 2007, now Pat. No. Des. 585,457, which is a continuation of application No. 29/246,900, filed on May 19, 2006, now abandoned.

(51) **LOC (9) Cl.** **14-04**

(52) **U.S. Cl.** **D14/492**

(58) **Field of Classification Search** D14/485-95; D18/24-33; D19/6, 52; D20/11; D21/324-33; 715/700-867, 973-77

See application file for complete search history.

(56) **References Cited**

U.S. PATENT DOCUMENTS

2,121,558	A *	6/1938	Coe et al.	29/890.15
2,480,034	A *	8/1949	Lapp	285/333
5,090,743	A *	2/1992	Obering	285/133.21
5,183,298	A *	2/1993	Harrington	285/12
D540,812	S *	4/2007	Gusmorino et al.	D14/492
D550,697	S *	9/2007	Gusmorino et al.	D14/492

* cited by examiner

Primary Examiner—Melanie H Tung

(74) *Attorney, Agent, or Firm*—Banner & Witcoff, Ltd.

(57) **CLAIM**

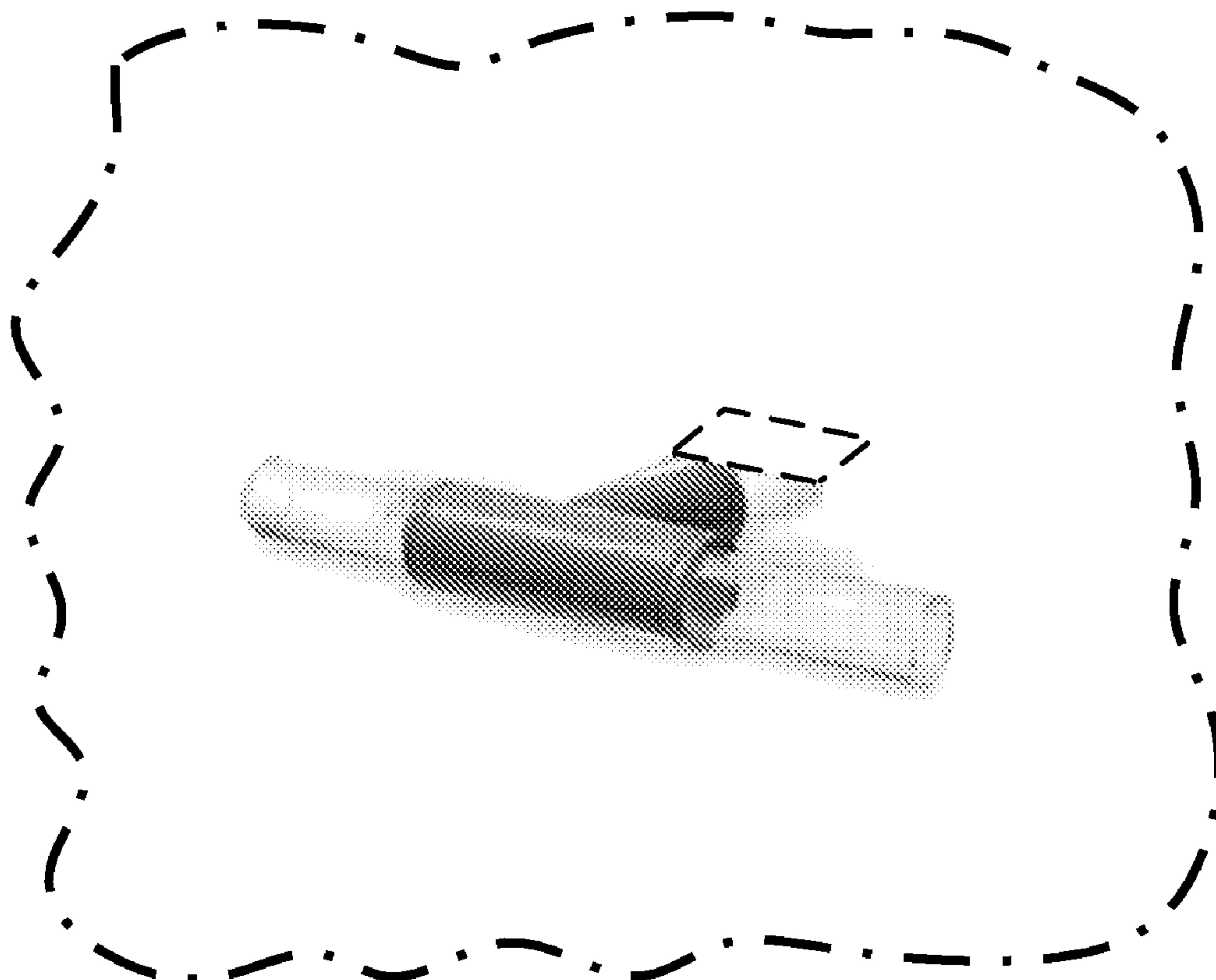
The ornamental design for an icon for a portion of a display screen, as shown and described.

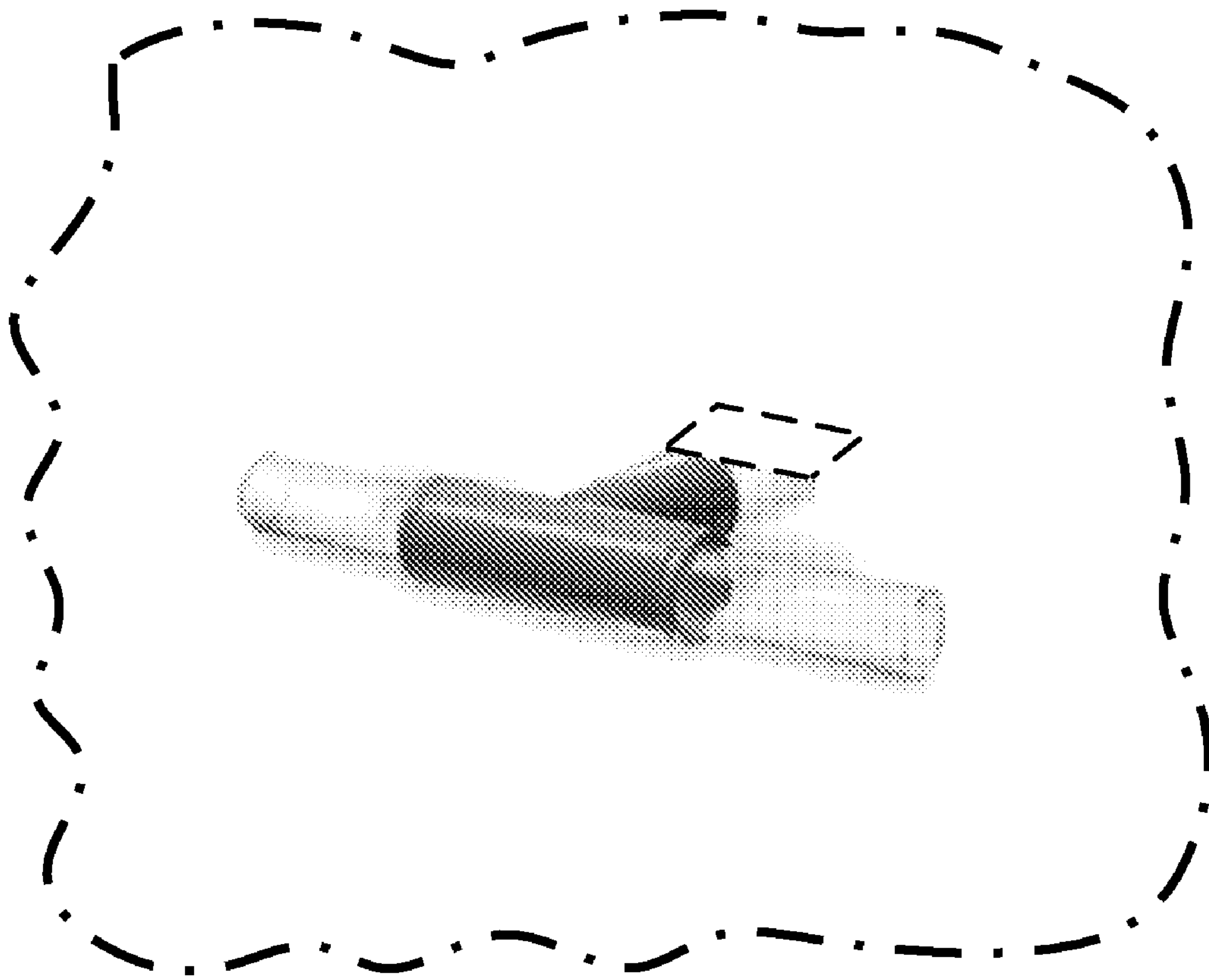
DESCRIPTION

The single FIGURE is a front view of an icon for a portion of a display screen according to the new design.

The broken line showing of the rectangular element and the area within it forms no part of the claimed design. The broken line showing of the portion of a display screen forms no part of the claimed design.

1 Claim, 1 Drawing Sheet





FIGURE