



US00D629003S

(12) **United States Design Patent**
Alegiani

(10) **Patent No.:** **US D629,003 S**

(45) **Date of Patent:** **** Dec. 14, 2010**

(54) **MOBILE TERMINAL HOUSING**

(75) Inventor: **Monica Alegiani**, Silvi (IT)

(73) Assignee: **Datalogic Scanning Group S.R.L.**,
Lippo Di Calderara (BO) (IT)

(**) Term: **14 Years**

(21) Appl. No.: **29/351,035**

(22) Filed: **Nov. 30, 2009**

(30) **Foreign Application Priority Data**

Nov. 16, 2009 (EM) 001177943

(51) **LOC (9) Cl.** **14-02**

(52) **U.S. Cl.** **D14/453**

(58) **Field of Classification Search** D14/434,
D14/447, 453, 432, 433, 385, 357, 149, 457,
D14/253, 251, 356, 242, 439, 344; D13/108,
D13/118, 199, 107, 177; D3/218, 228, 269;
D18/12; D8/349, 382; 361/683, 686, 679,
361/600; 455/557, 556.1, 556.2, 575.4, 569.2,
455/569.1; 248/346.03, 176.1, 181.1, 309.1,
248/221.11; 200/6 R; 206/701; 320/113–115,
320/107; 379/426; 345/156, 901, 905; 439/374,
439/131, 529, 534, 929, 346, 31, 640; 235/472.01;
429/100

See application file for complete search history.

(56) **References Cited**

U.S. PATENT DOCUMENTS

D376,585 S * 12/1996 Wathen et al. D14/434
D418,500 S * 1/2000 Giordano et al. D14/429
D448,374 S * 9/2001 Liu D14/358
6,497,368 B1 * 12/2002 Friend et al. 235/472.01
6,532,314 B1 * 3/2003 Plain et al. 382/312
6,637,658 B2 * 10/2003 Barber et al. 235/462.45

(Continued)

Primary Examiner—Susan Moon Lee

(74) *Attorney, Agent, or Firm*—Duane Morris LLP

(57) **CLAIM**

I claim the ornamental design for a mobile terminal housing,
as shown and described.

DESCRIPTION

FIG. 1 is front perspective view of a mobile terminal housing
of the present invention in the reclined position;

FIG. 2 is rear perspective view of the mobile terminal housing
in the reclined position.

FIG. 3 is a left side view of the mobile terminal housing in the
reclined position.

FIG. 4 is a right side view of the mobile terminal housing in
the reclined position.

FIG. 5 is a front view of the mobile terminal housing in the
reclined position.

FIG. 6 is a rear view of the mobile terminal housing in the
reclined position.

FIG. 7 is a bottom end view of the mobile terminal housing in
the reclined position.

FIG. 8 is a top end view of the mobile terminal housing in the
reclined position.

FIG. 9 is a perspective view of the mobile terminal housing in
the upright position.

FIG. 10 is a left side view of the view of the mobile terminal
housing in the upright position.

FIG. 11 is a right side view of the mobile terminal housing in
the upright position.

FIG. 12 is a front view of the mobile terminal housing in the
upright position.

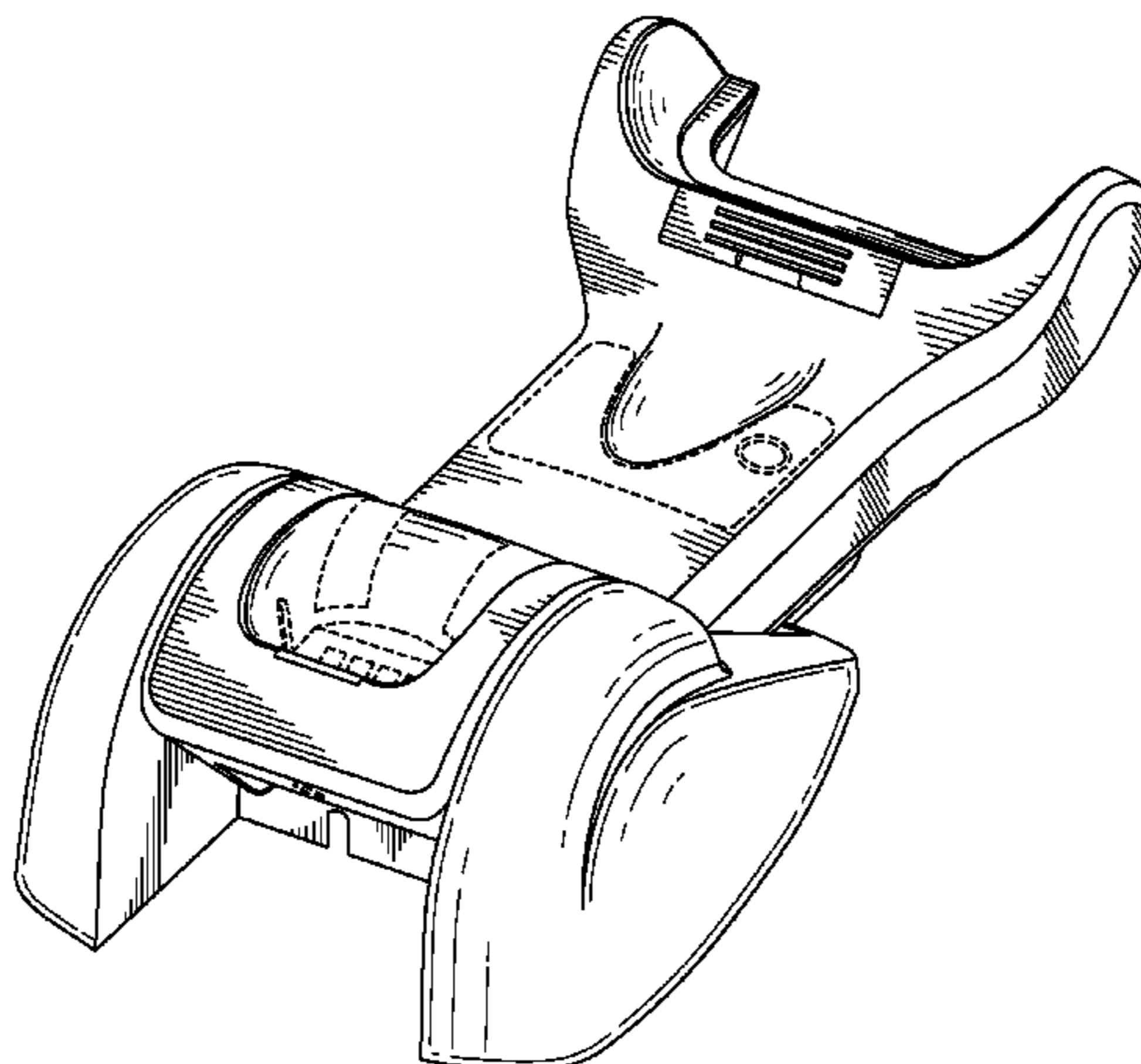
FIG. 13 is a rear view of the mobile terminal housing in the
upright position.

FIG. 14 is a bottom end view of the mobile terminal housing
in the upright position; and,

FIG. 15 is a top end view of the mobile terminal housing in the
upright position.

The portions shown in broken line are not claimed.

1 Claim, 11 Drawing Sheets



US D629,003 S

Page 2

U.S. PATENT DOCUMENTS

D489,322 S *	5/2004	Sawai et al.	D13/108	7,611,063 B2 *	11/2009	Wilz et al.	235/462.45
7,441,701 B2 *	10/2008	Beck et al.	235/440	2006/0022039 A1 *	2/2006	Beck et al.	235/440
7,464,878 B2 *	12/2008	Schmidt et al.	235/472.01				

* cited by examiner

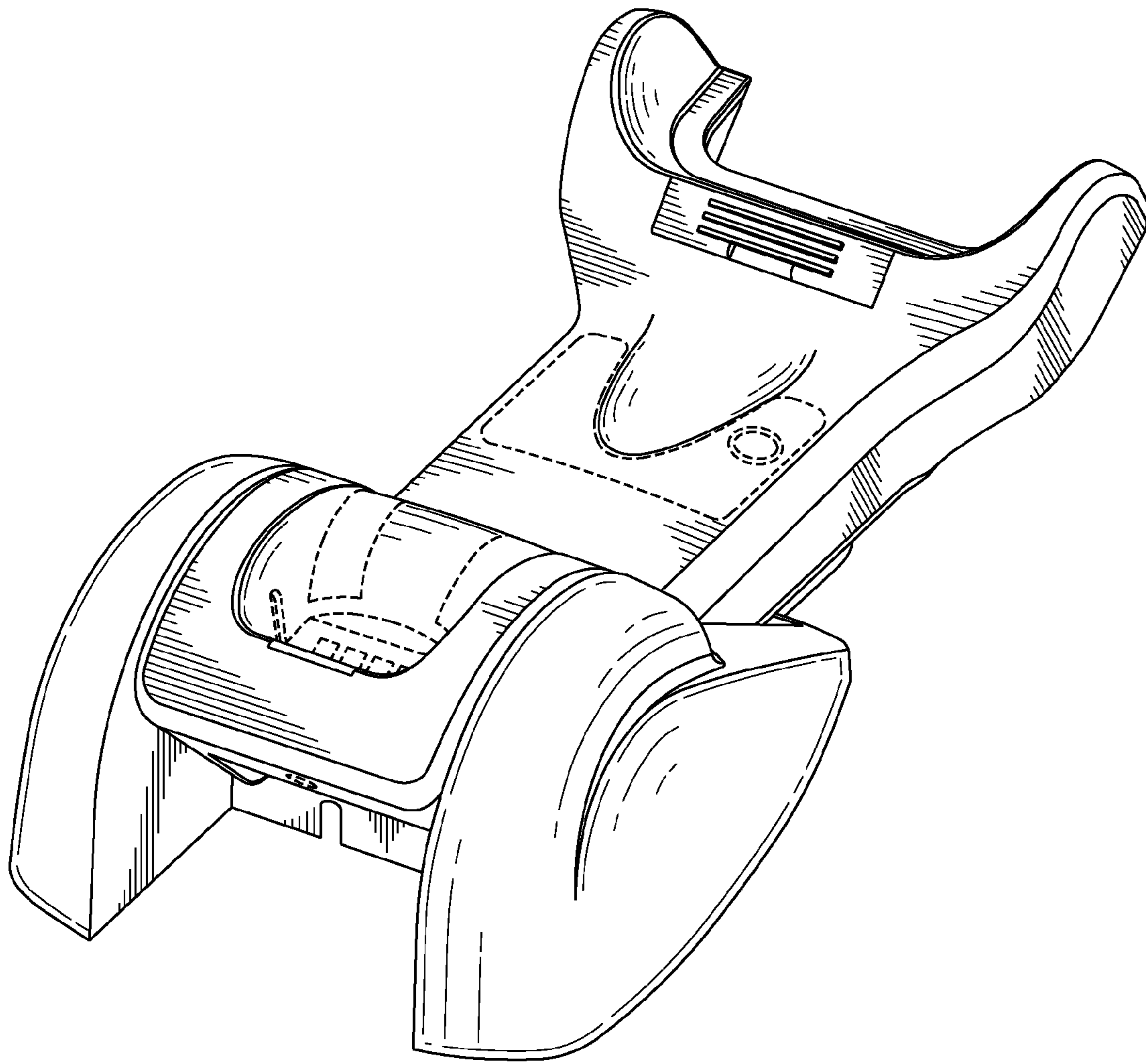


FIG. 1

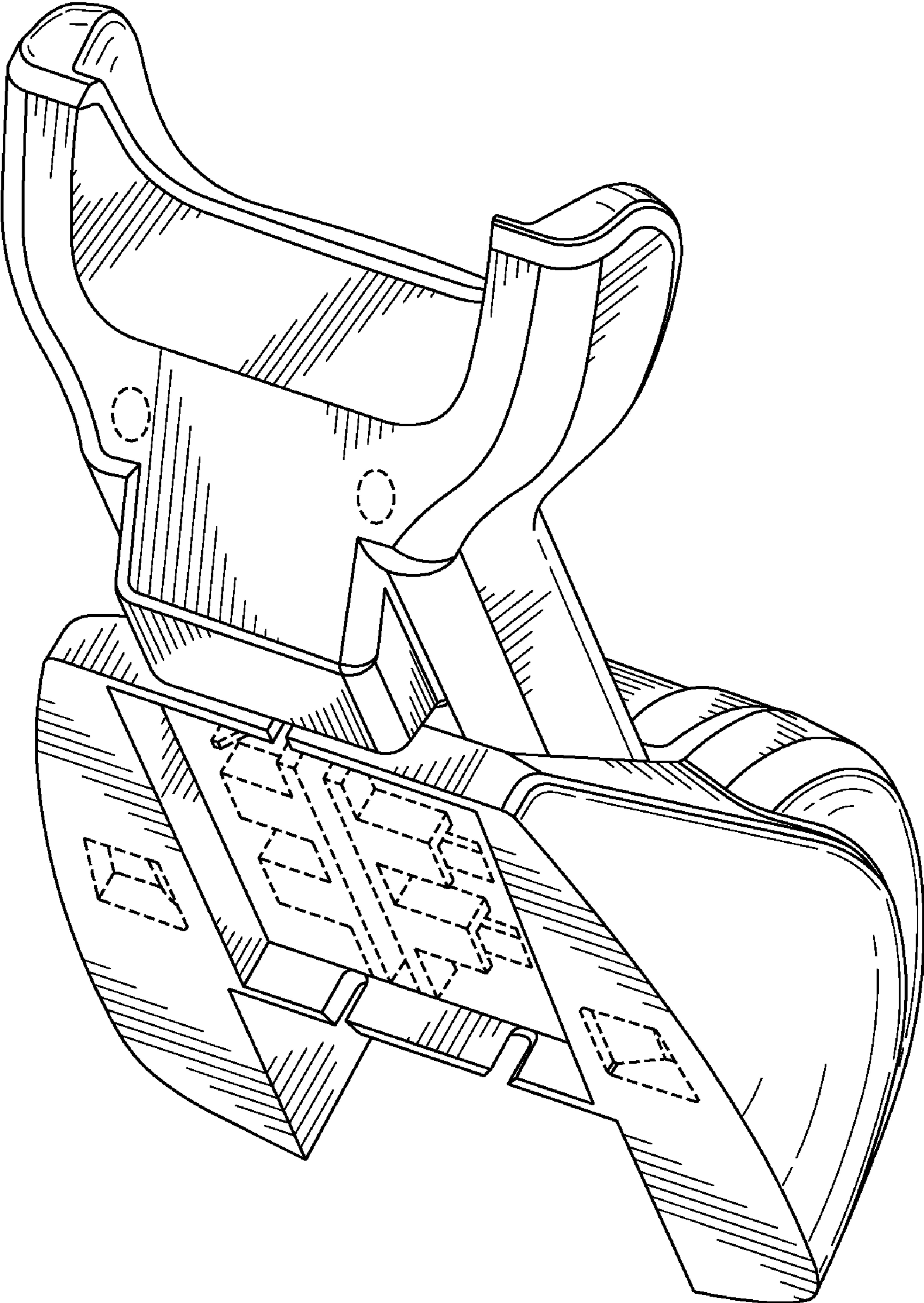


FIG. 2

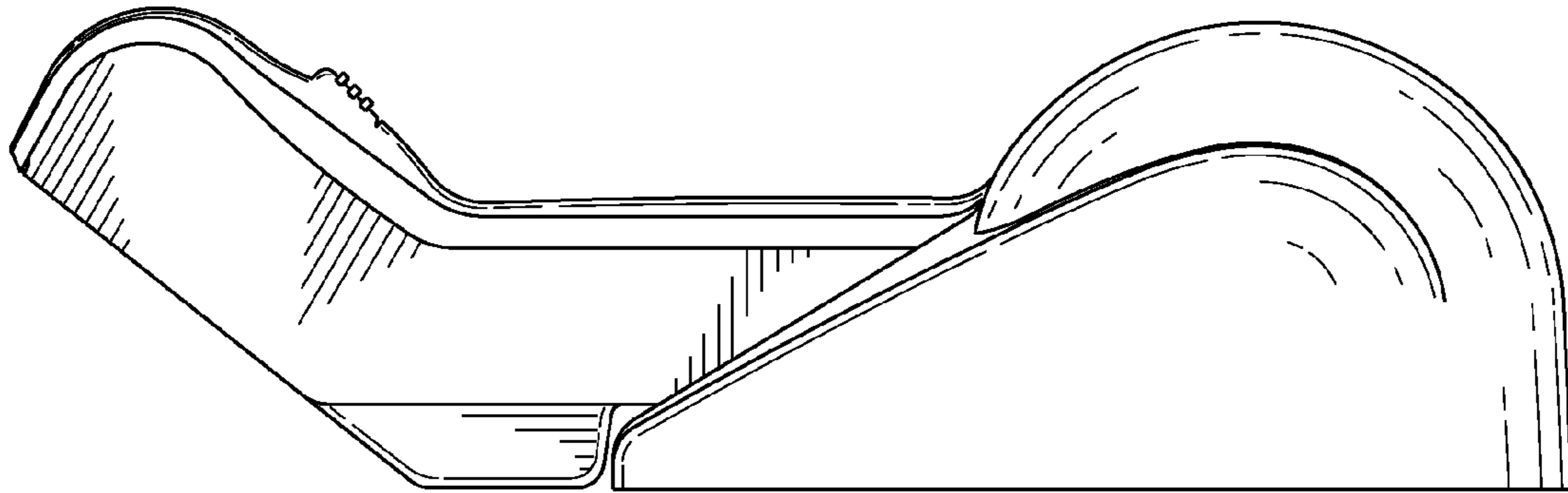


FIG. 3

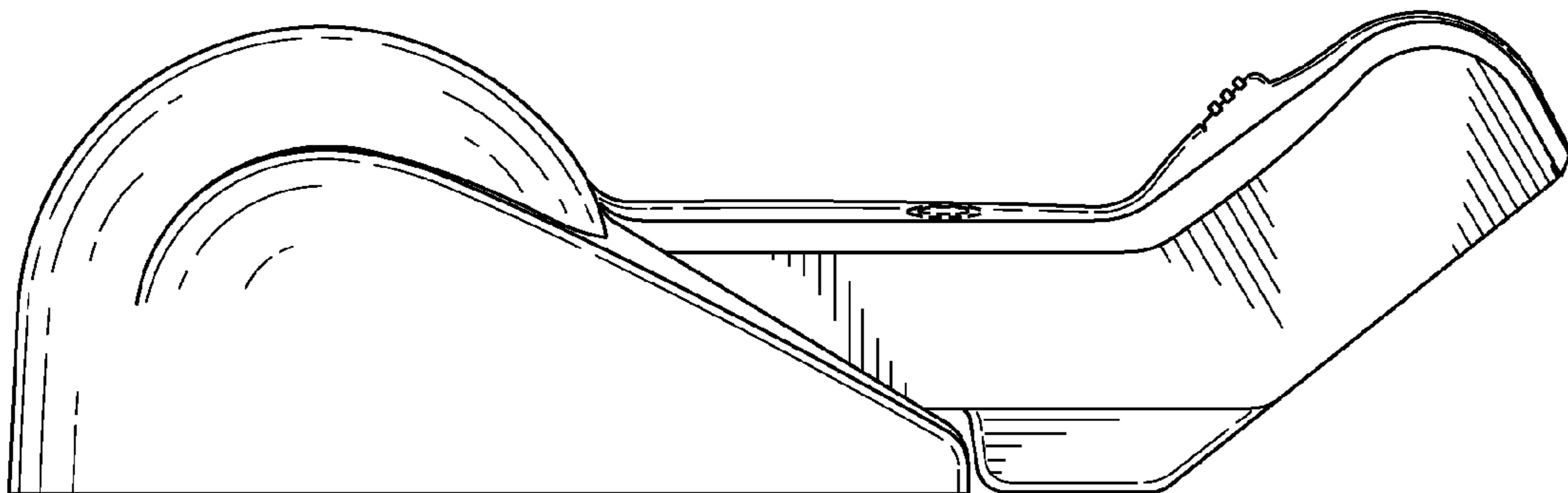


FIG. 4

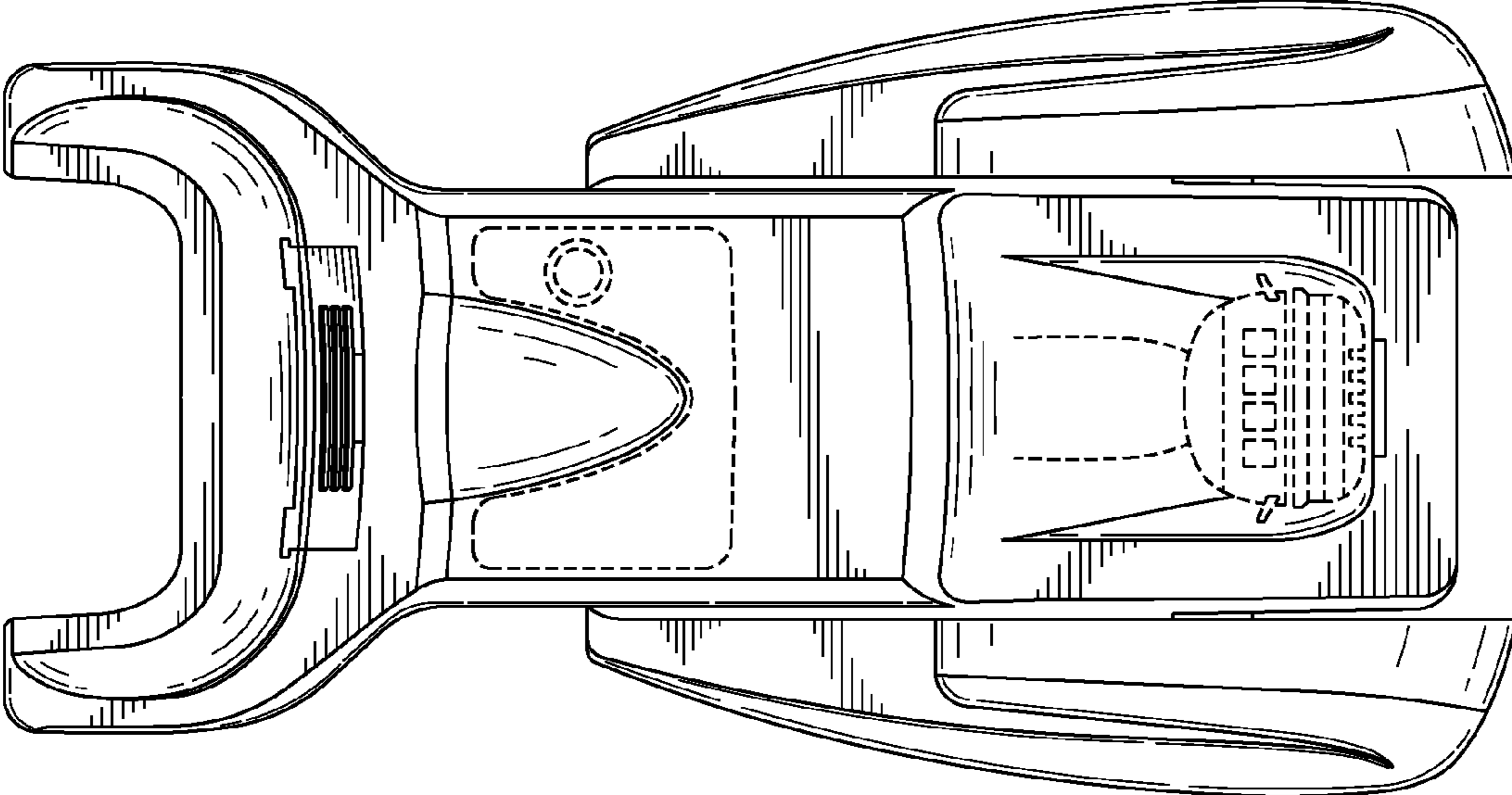


FIG. 5

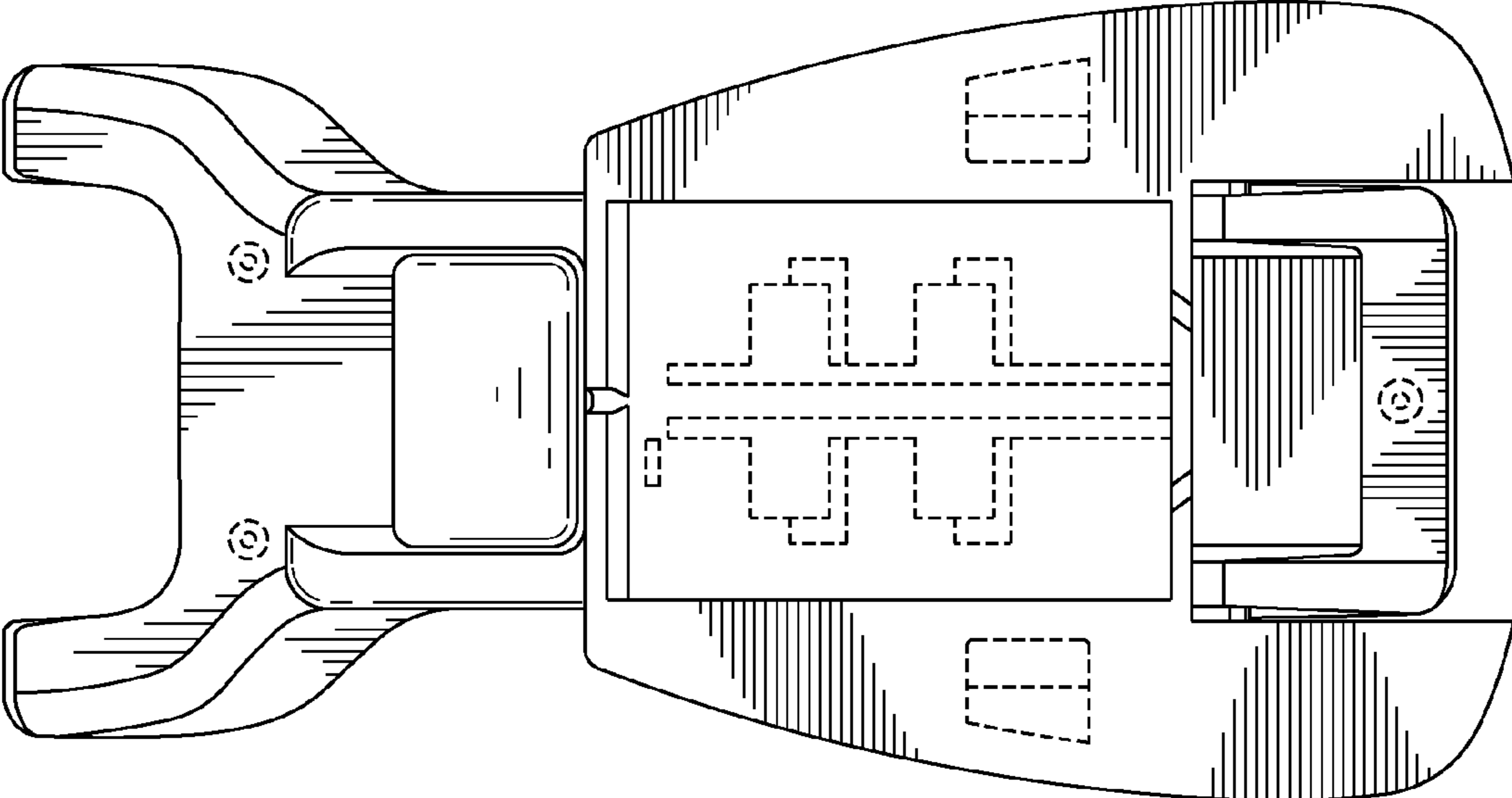


FIG. 6

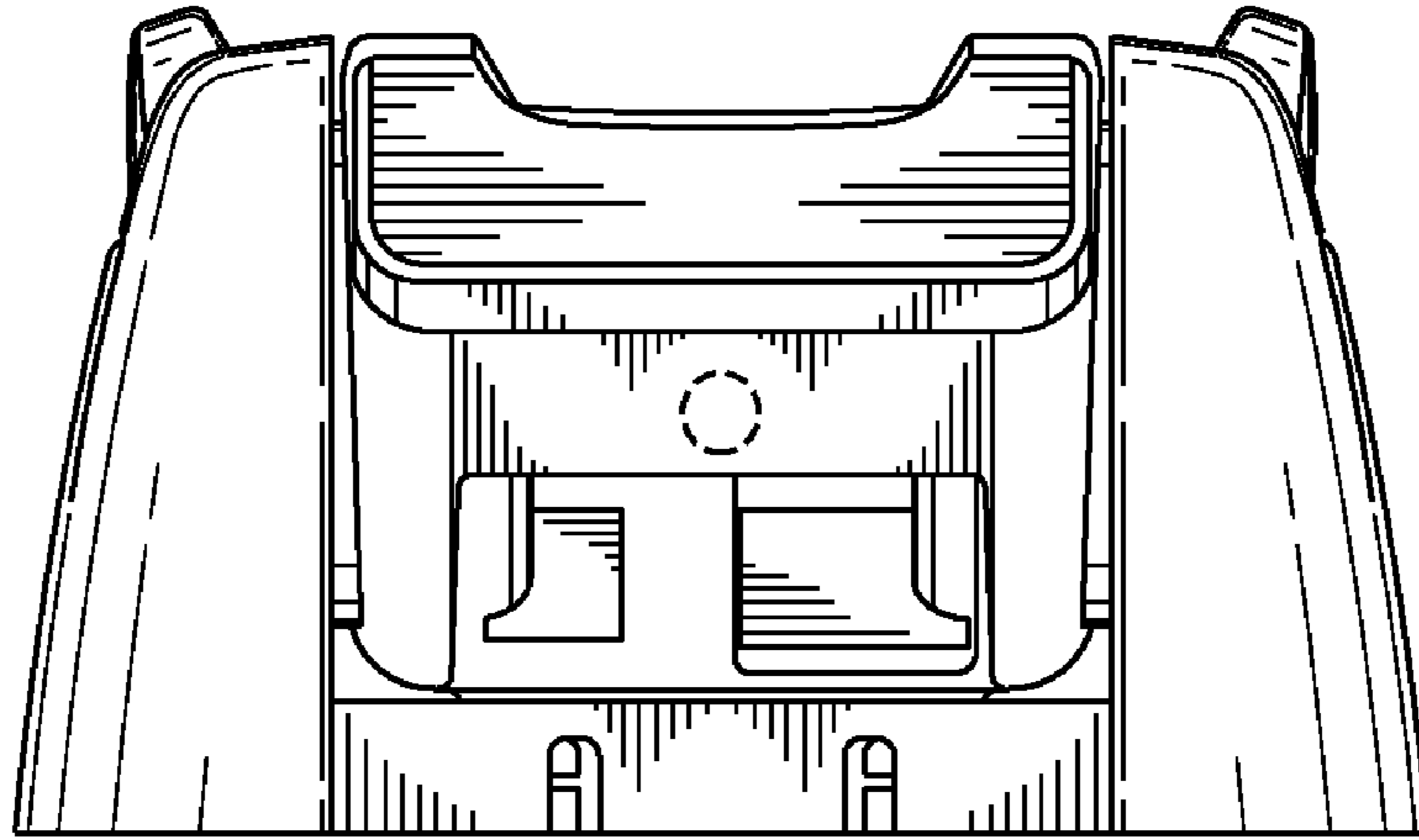


FIG. 7

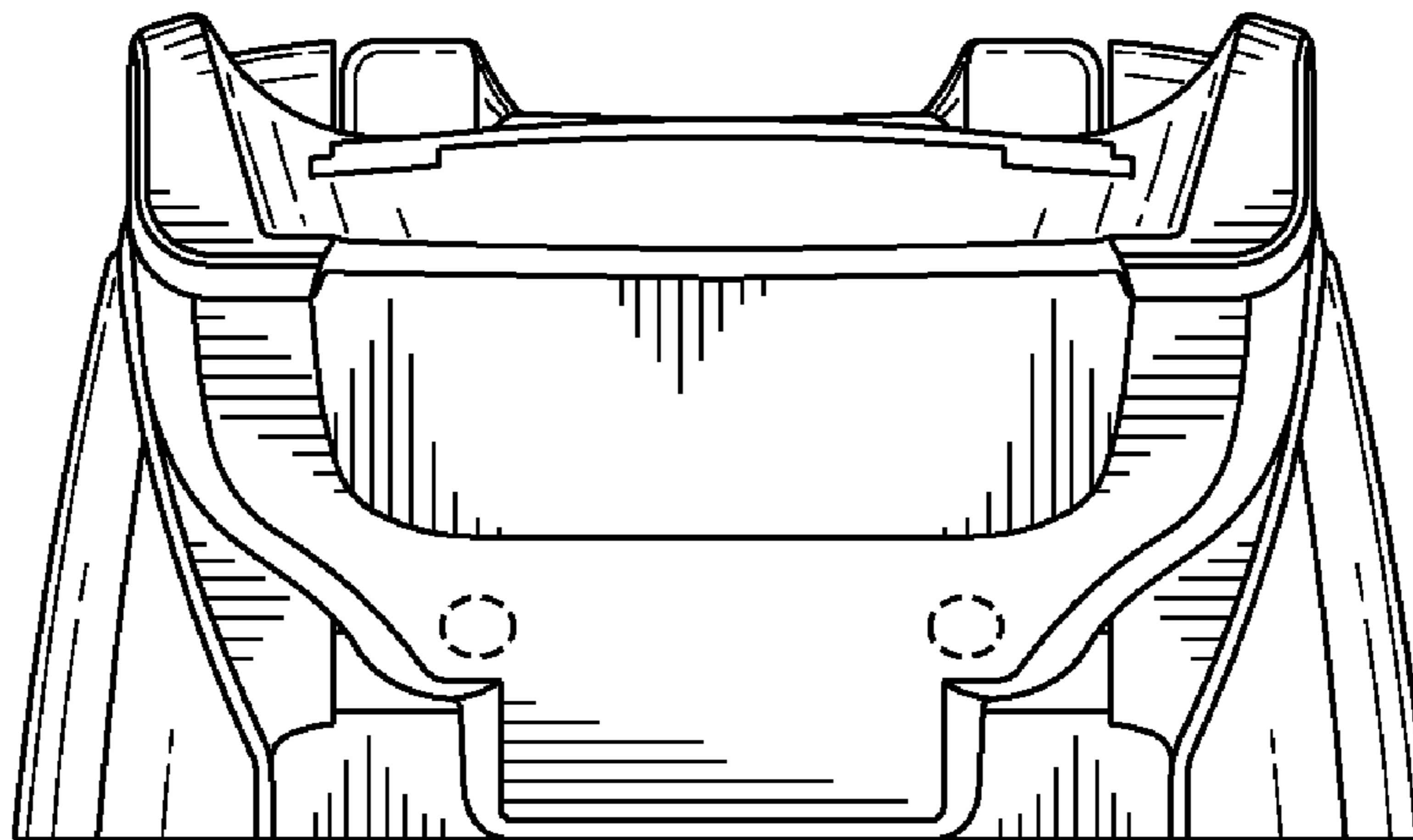


FIG. 8

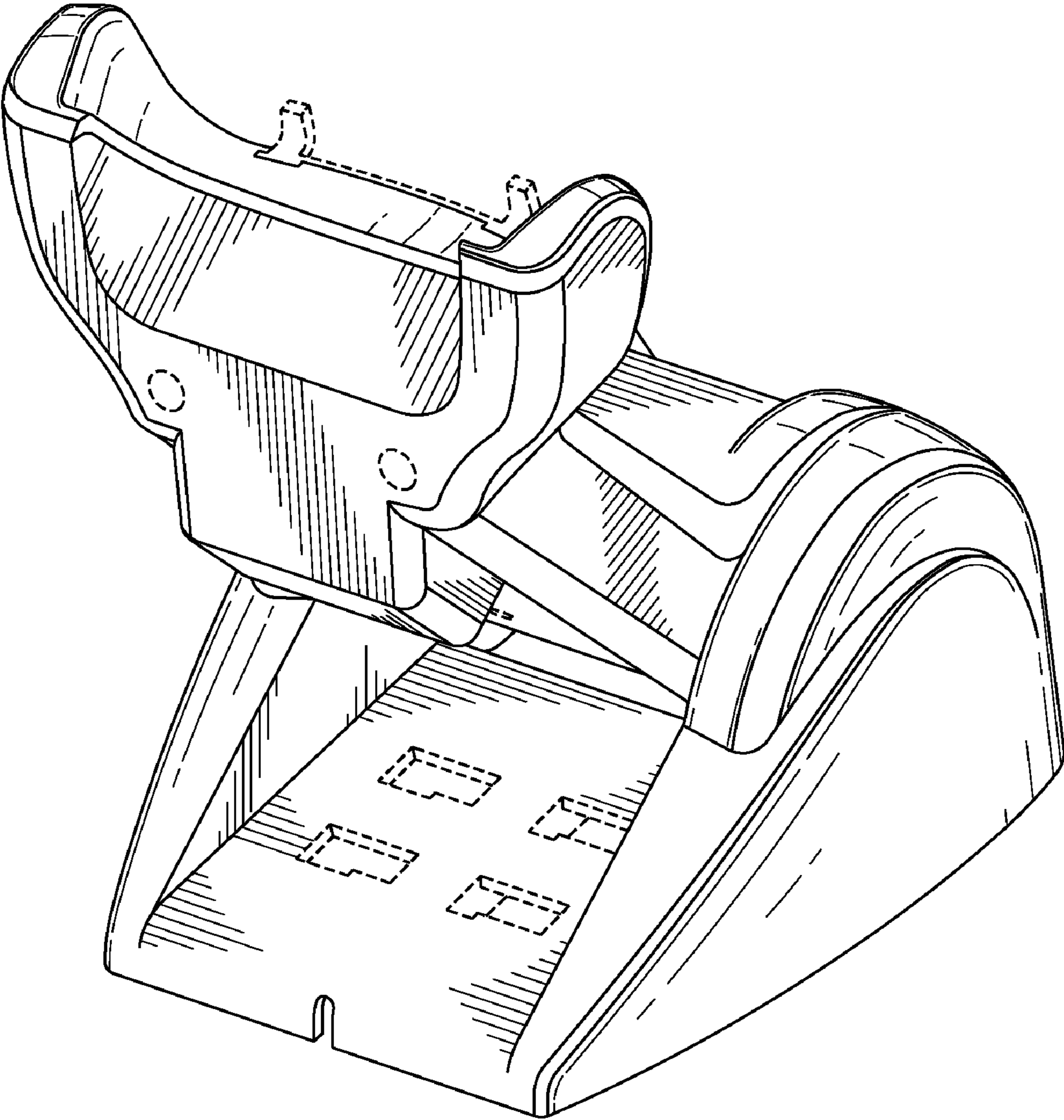


FIG. 9

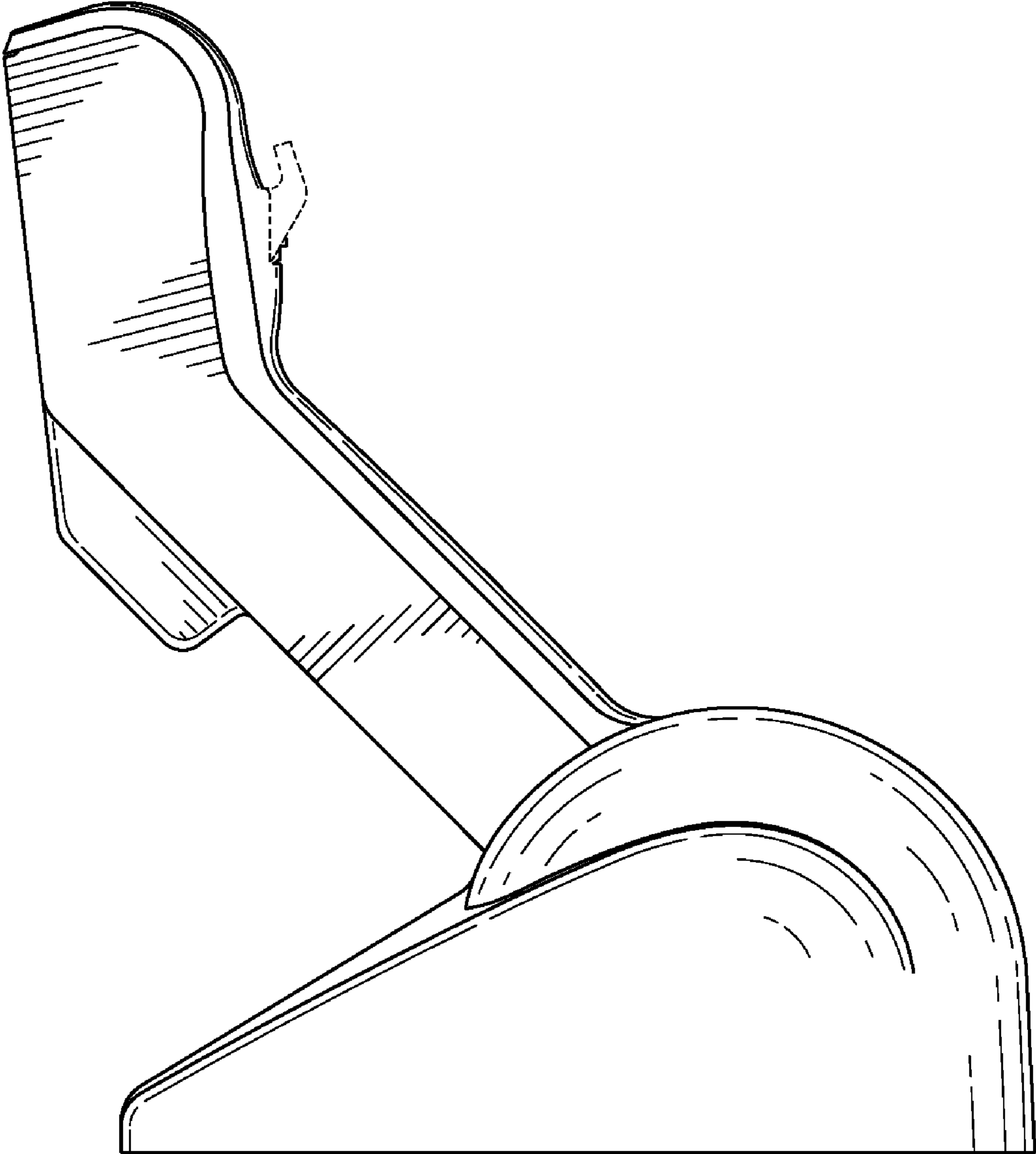


FIG. 10

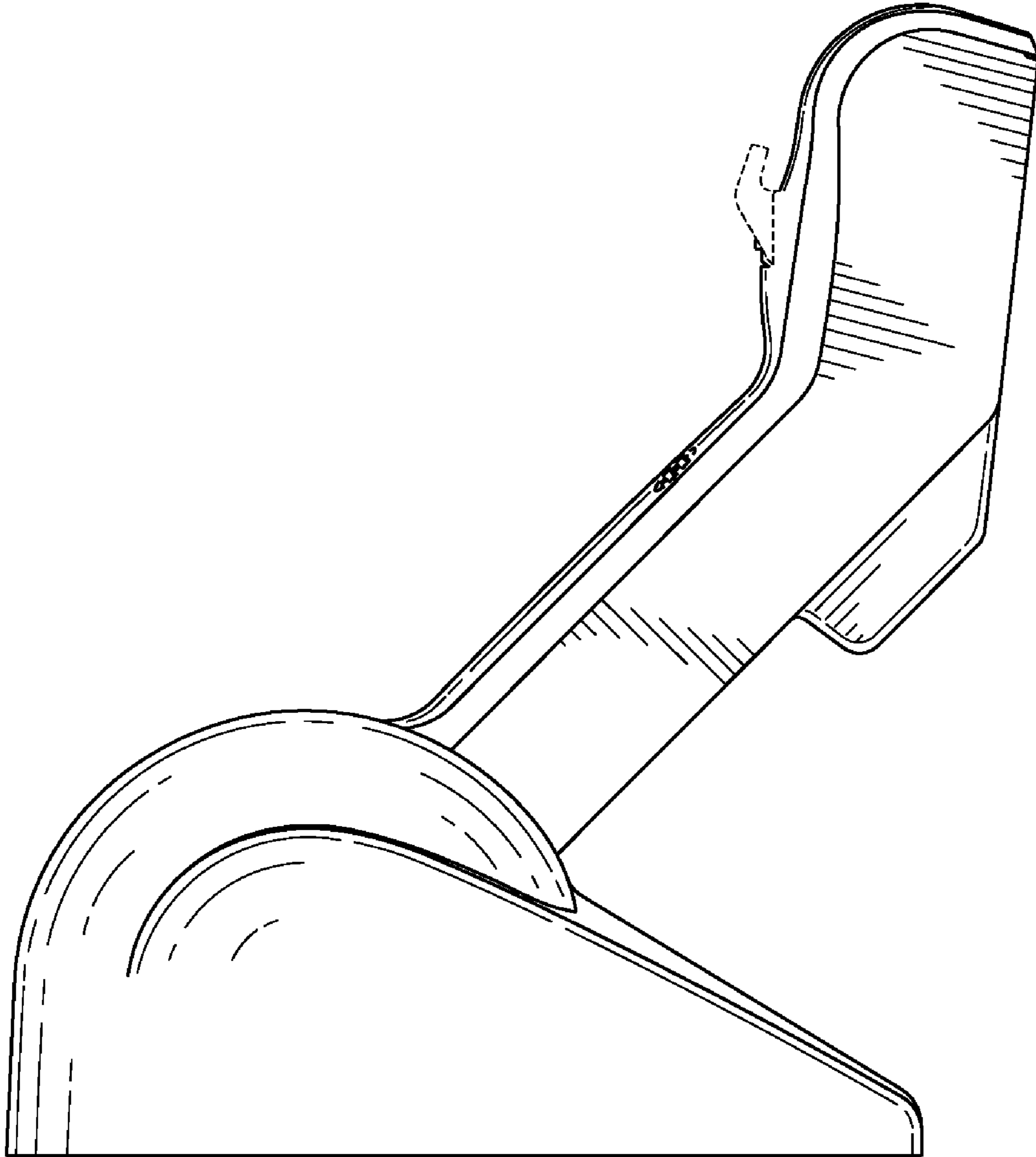


FIG. 11

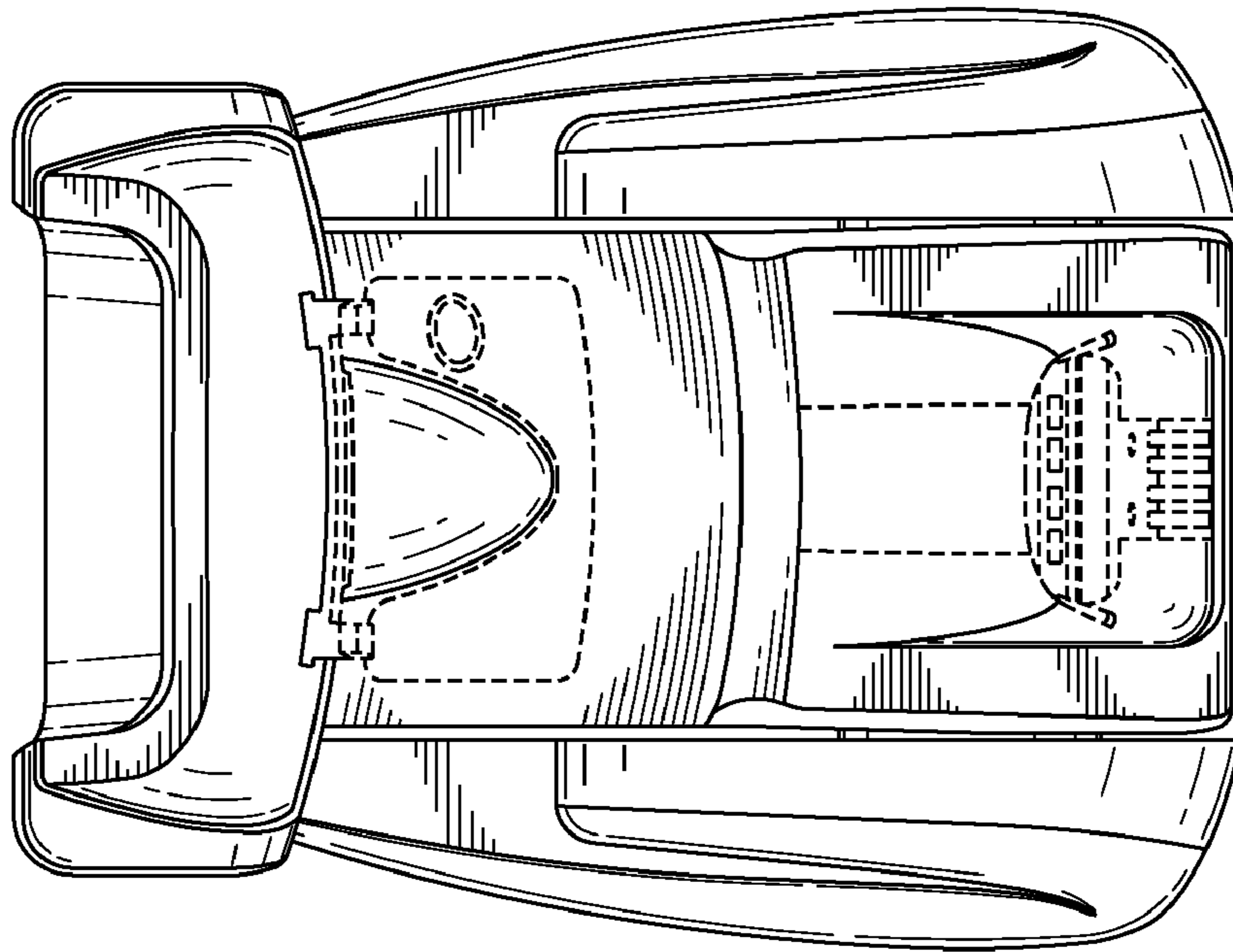


FIG. 12

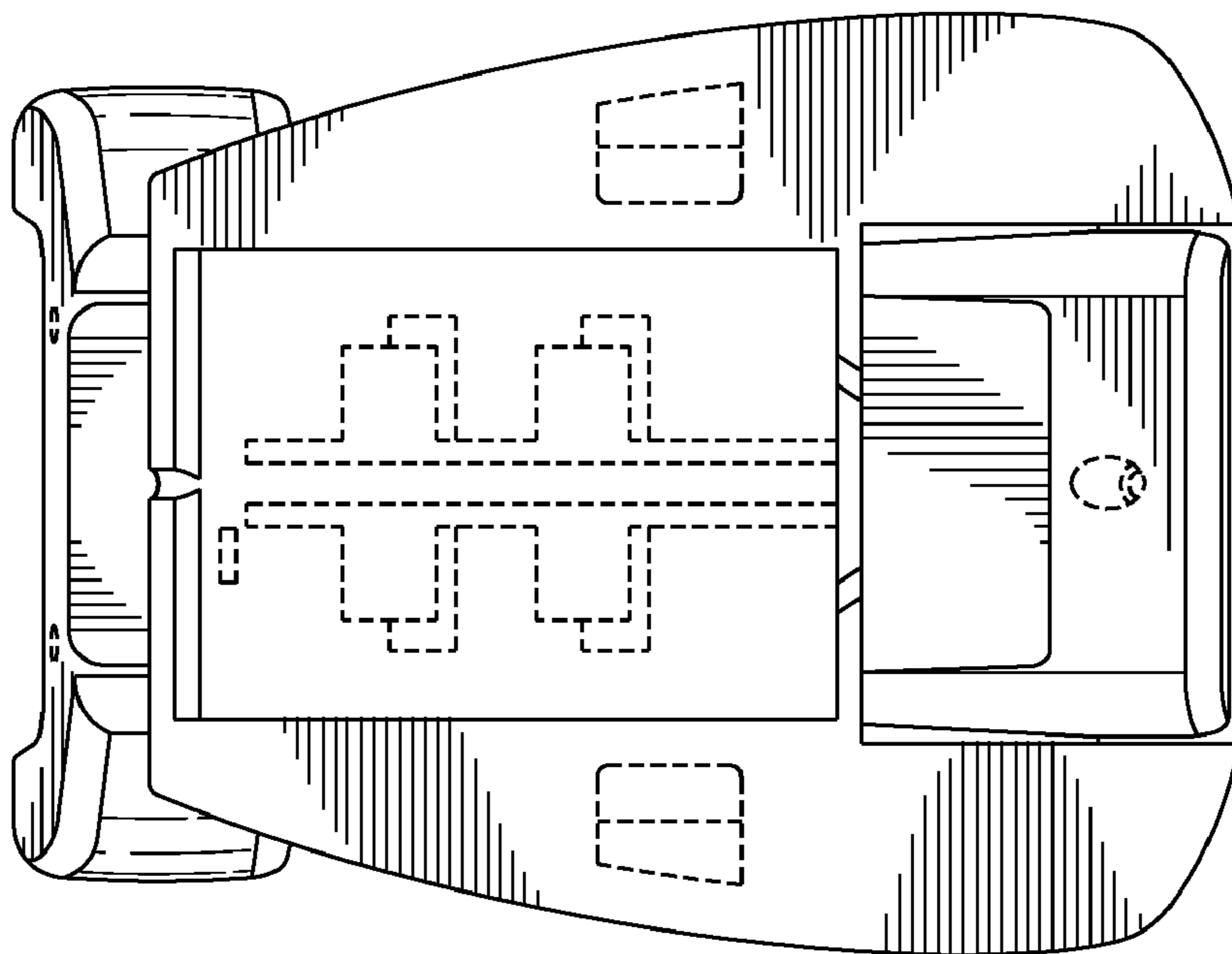


FIG. 13

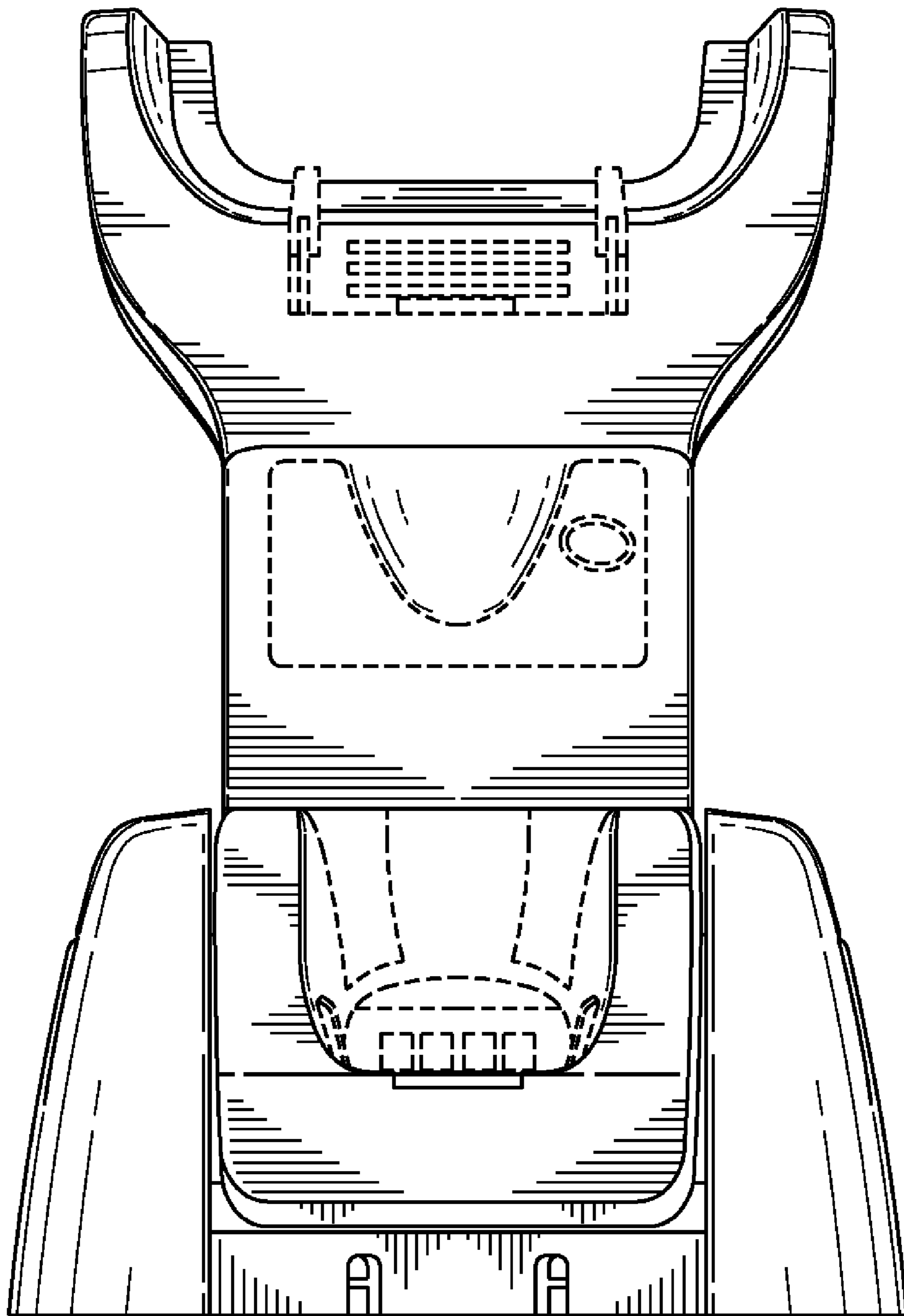


FIG. 14

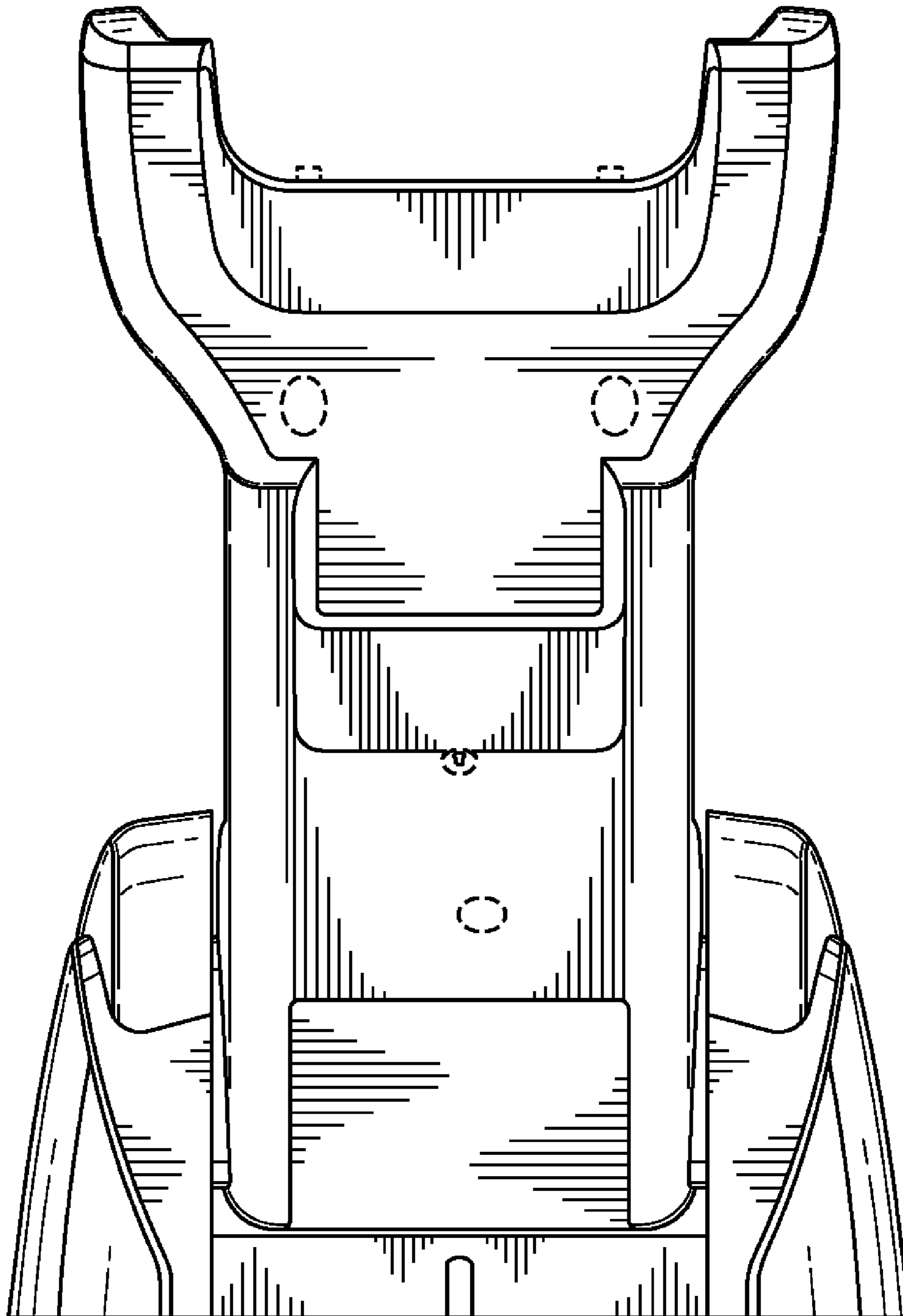


FIG. 15