



US00D629001S

(12) **United States Design Patent**
Palmer et al.

(10) **Patent No.:** **US D629,001 S**
(45) **Date of Patent:** **** Dec. 14, 2010**

(54) **MOBILE COMPUTER**

DESCRIPTION

(75) Inventors: **Mark C. Palmer**, Bay Shore, NY (US);
Curt D. Croley, Stony Brook, NY (US);
Michael A. Kaminsky, Baldwin, NY
(US); **Carl A. Thelemann**, East Islip,
NY (US)

(73) Assignee: **Symbol Technologies, Inc.**, Holtsville,
NY (US)

(**) Term: **14 Years**

(21) Appl. No.: **29/352,624**

(22) Filed: **Dec. 23, 2009**

(51) **LOC (9) Cl.** **14-02**

(52) **U.S. Cl.** **D14/426**

(58) **Field of Classification Search** D14/420,
D14/426-430, 453, 346, 341, 347, 412, 138;
D13/107, 184; 358/473; 235/462.43, 462.45,
235/462.47, 462.48, 462.44, 462.46, 487,
235/472.01, 472.02, 145 A, 145 R; D10/78;
324/426; D3/273; 710/73; D18/7; 361/679;
382/313, 321; 455/575.1, 561, 572; 345/156,
345/168, 169, 172, 173, 87

See application file for complete search history.

(56) **References Cited**

U.S. PATENT DOCUMENTS

D355,904 S * 2/1995 Swartz et al. D14/429

(Continued)

Primary Examiner—Susan Moon Lee

(57) **CLAIM**

The ornamental design for a mobile computer, as shown and described.

This U.S. Design patent application Ser. No. 29/352,624 is related to U.S. Design application Ser. No. 29/352,628, filed Dec. 23, 2009.

FIG. 1 is a front perspective view of a first embodiment of an ornamental design for a mobile computer;

FIG. 2 is a rear perspective view of the first embodiment thereof;

FIG. 3 is a front view of the first embodiment thereof;

FIG. 4 is a rear view of the first embodiment thereof;

FIG. 5 is first side view of the first embodiment thereof;

FIG. 6 is a second side view of the first embodiment thereof;

FIG. 7 is a top view of the first embodiment thereof; and

FIG. 8 is a bottom view of the first embodiment thereof.

FIG. 9 is a front perspective view of a second embodiment of an ornamental design for a mobile computer;

FIG. 10 is a rear perspective view of the second embodiment thereof;

FIG. 11 is a front view of the second embodiment thereof;

FIG. 12 is a rear view of the second embodiment thereof;

FIG. 13 is first side view of the second embodiment thereof;

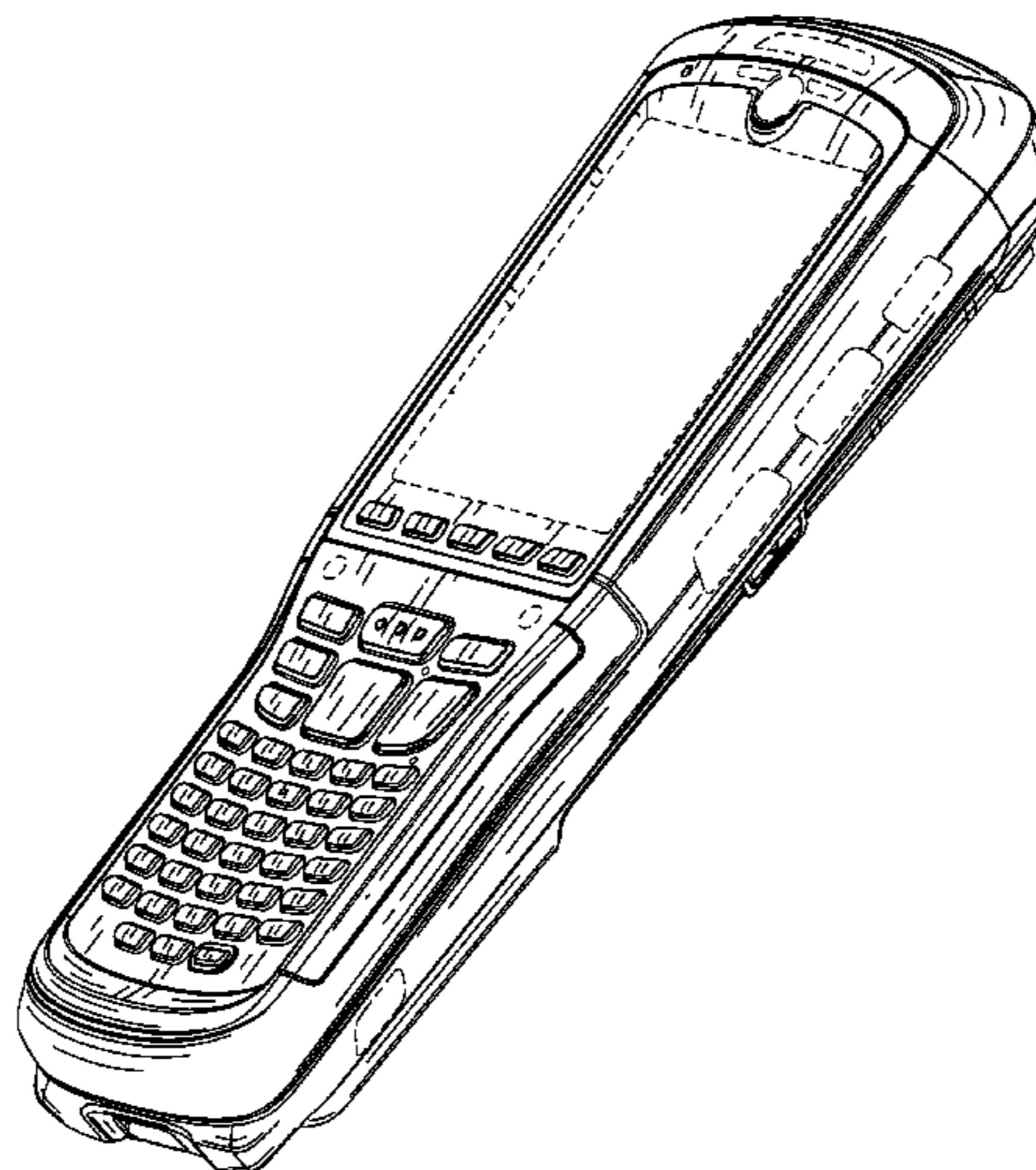
FIG. 14 is a second side view of the second embodiment thereof;

FIG. 15 is a top view of the second embodiment thereof; and,

FIG. 16 is a bottom view of the second embodiment thereof.

The broken lines shown in FIGS. 1-8, that are immediately adjacent to the shaded areas, and define unshaded regions, represent the bounds of the first embodiment, while all other broken lines are directed to environment and are for illustrative purposes only; the broken lines form no part of the first embodiment.

1 Claim, 12 Drawing Sheets



US D629,001 S

Page 2

U.S. PATENT DOCUMENTS

D357,240	S *	4/1995	Kitazumi et al.	D14/429	D439,898	S *	4/2001	Ober et al.	D14/347
5,541,840	A *	7/1996	Gurme et al.	701/33	D447,141	S *	8/2001	Itoh et al.	D14/385
D383,124	S *	9/1997	Lanzaro et al.	D14/429	D456,806	S *	5/2002	Ahearn et al.	D14/347
5,679,943	A *	10/1997	Schultz et al.	235/472.02	D462,357	S *	9/2002	Jenkins	D14/426
D386,152	S *	11/1997	Warneke	D14/347	D463,425	S *	9/2002	Jenkins	D14/347
D390,554	S *	2/1998	Larson et al.	D14/137	D467,918	S *	12/2002	Fitch et al.	D14/347
D391,234	S *	2/1998	Chacon et al.	D14/341	D473,872	S *	4/2003	Ausems et al.	D14/420
5,736,726	A *	4/1998	VanHorn et al.	235/472.02	6,633,483	B2 *	10/2003	Akagi et al.	361/679.4
5,763,864	A *	6/1998	O'Hagan et al.	235/462.07	D494,593	S *	8/2004	Wulff et al.	D14/429
D398,903	S *	9/1998	Chacon et al.	D14/343	D496,366	S *	9/2004	Croley et al.	D14/429
D399,521	S *	10/1998	Coveley	D14/429	D518,043	S *	3/2006	Barness et al.	D14/346
5,831,819	A *	11/1998	Chacon et al.	361/679.56	D538,291	S *	3/2007	Croley et al.	D14/453
D414,470	S *	9/1999	Chacon et al.	D14/341	D538,292	S *	3/2007	Croley et al.	D14/453
D414,760	S *	10/1999	Hetfield et al.	D14/426	D539,294	S *	3/2007	Croley et al.	D14/453
5,969,328	A *	10/1999	Kunert	235/472.01	D558,776	S *	1/2008	Croley et al.	D14/453
D428,883	S *	8/2000	Mizusugi et al.	D14/346	D560,223	S *	1/2008	Morris et al.	D14/453
D429,226	S *	8/2000	Siddoway et al.	D14/347	D575,287	S *	8/2008	Miyashita	D14/426
6,109,528	A *	8/2000	Kunert et al.	235/472.01	D599,798	S *	9/2009	Fitch et al.	D14/426
6,181,992	B1 *	1/2001	Gurme et al.	701/29	2003/0121981	A1 *	7/2003	Slutsky et al.	235/462.45
					2006/0054704	A1 *	3/2006	Fitch et al.	235/472.01

* cited by examiner

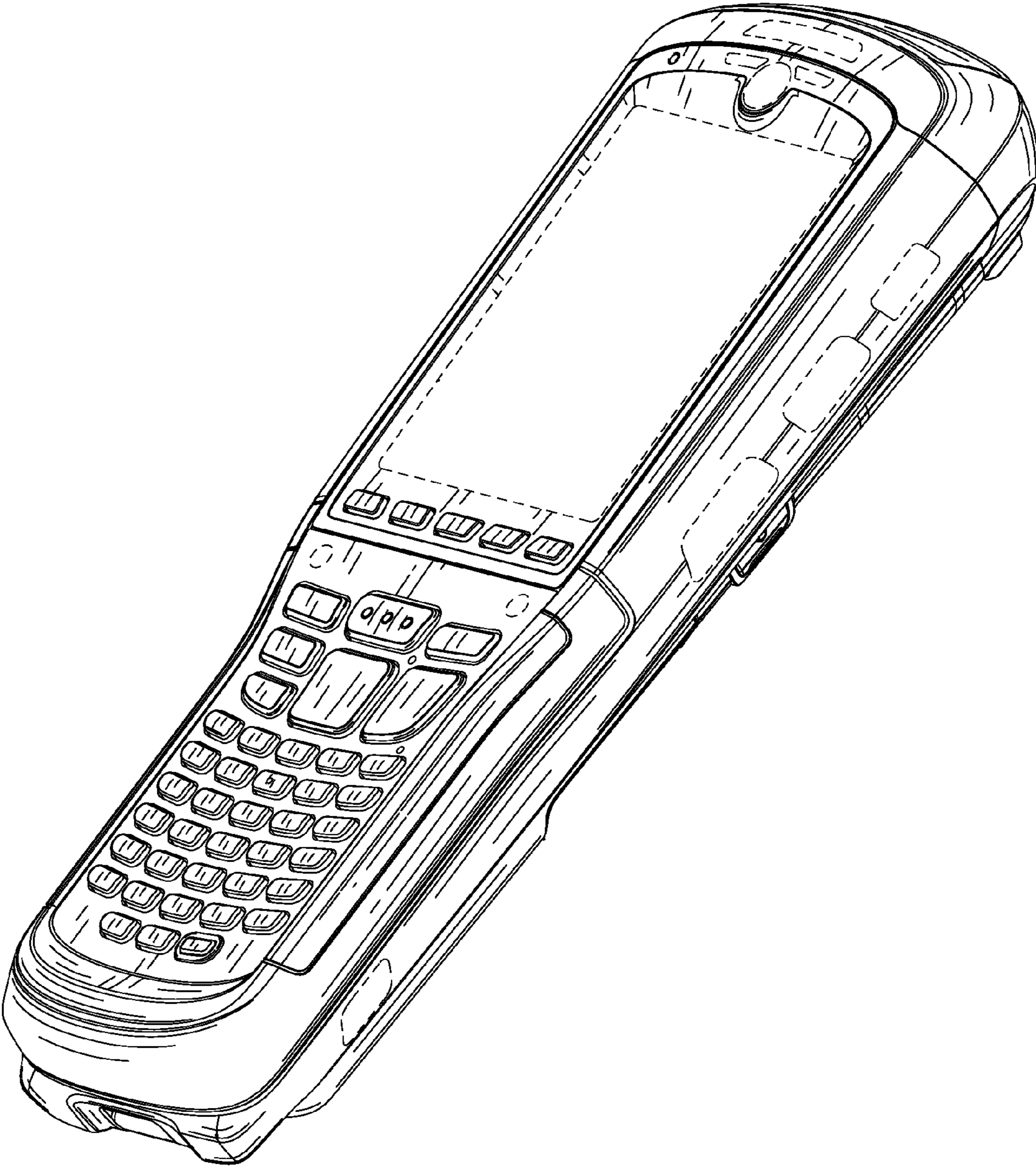


FIG. 1

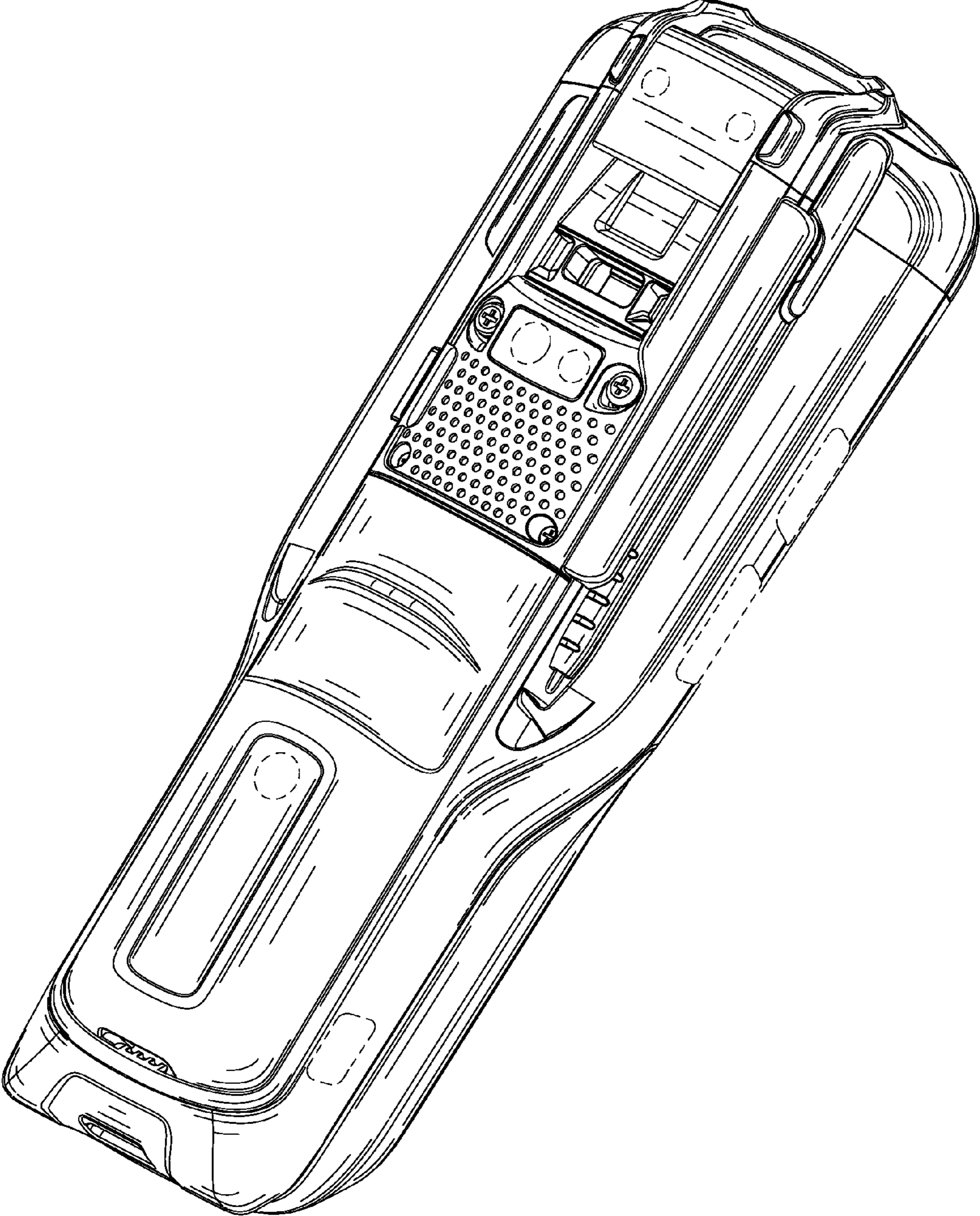


FIG. 2

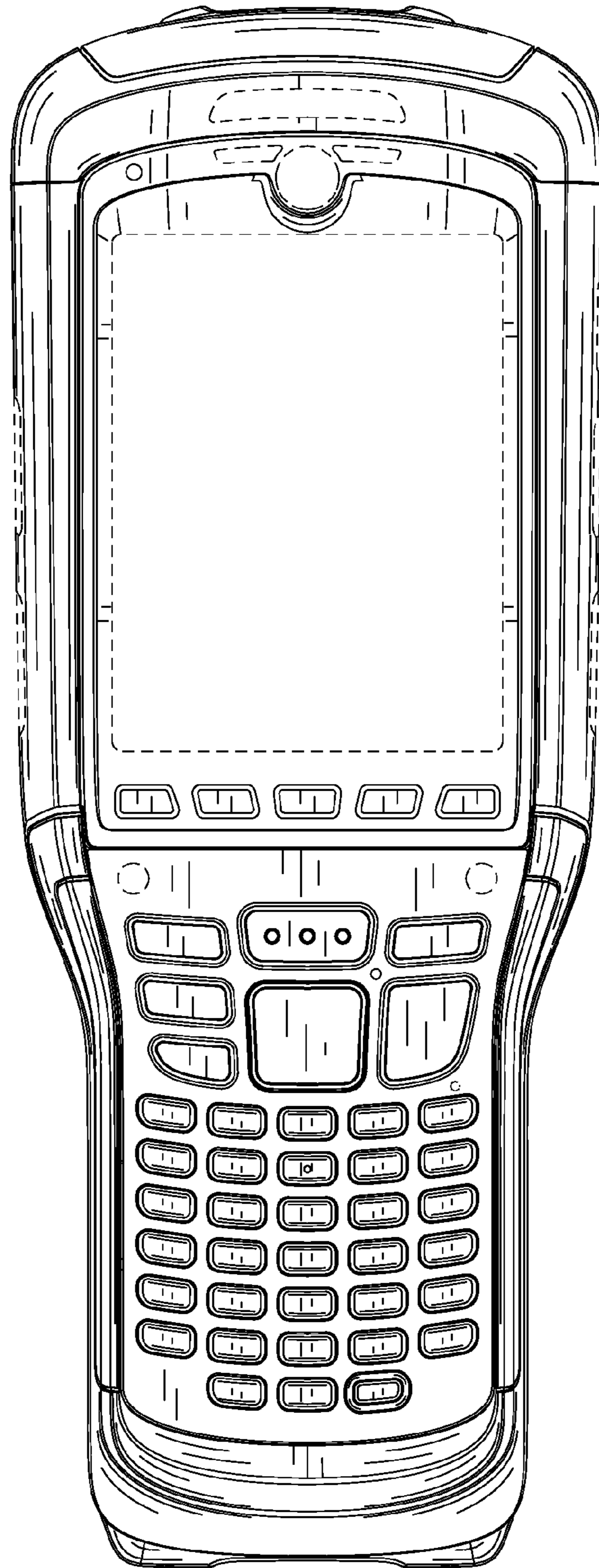


FIG. 3

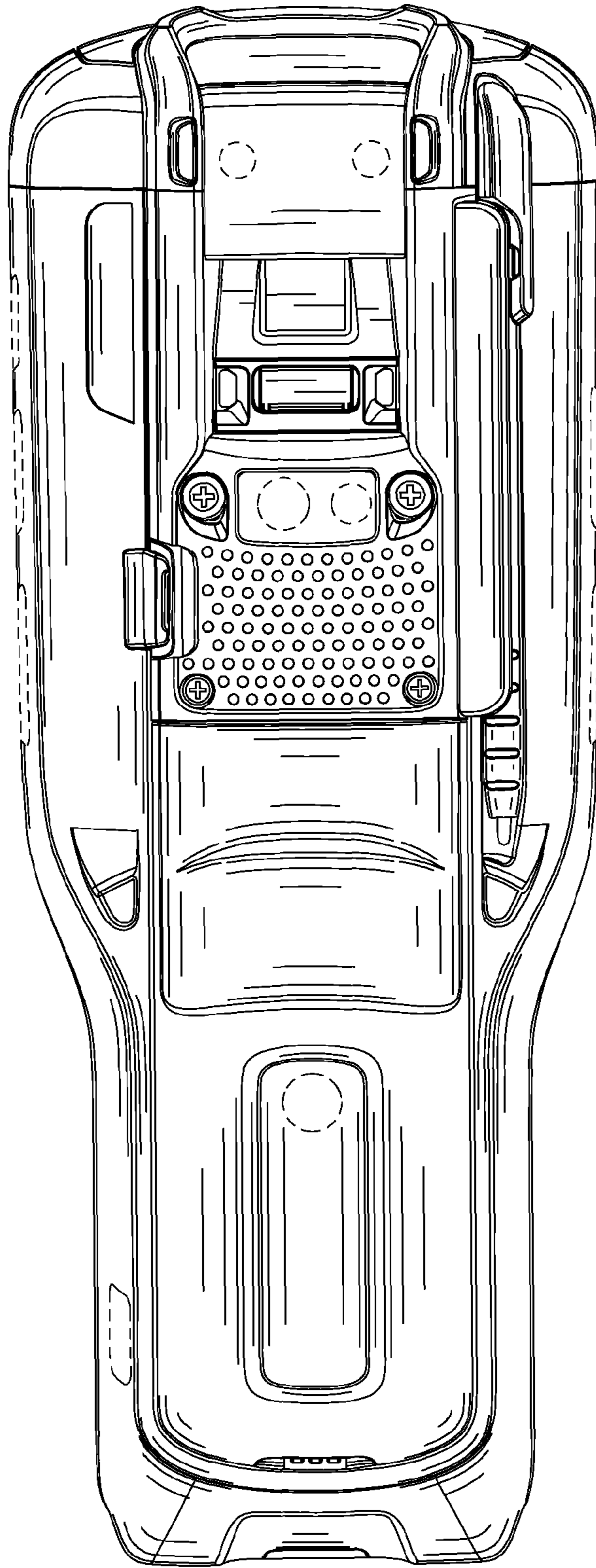


FIG. 4

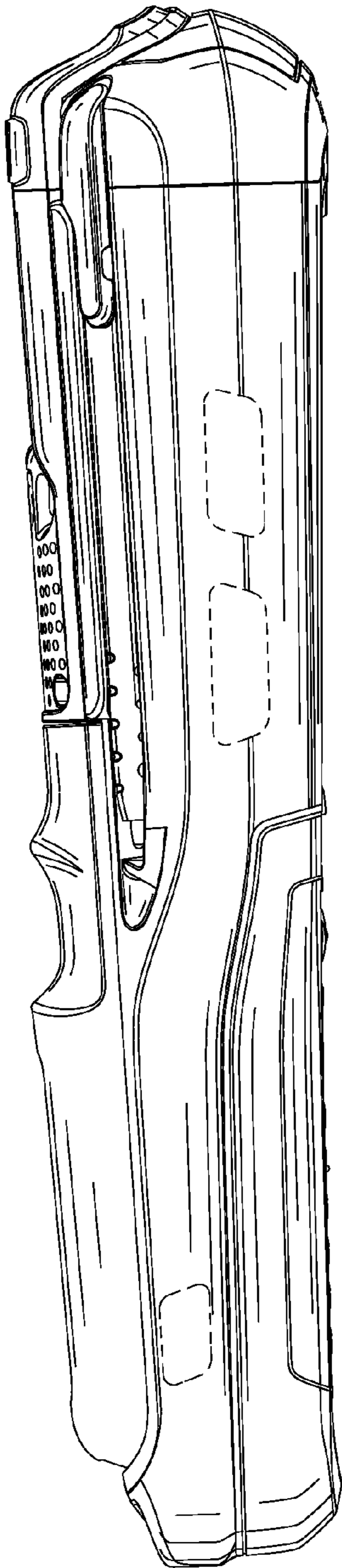


FIG. 5

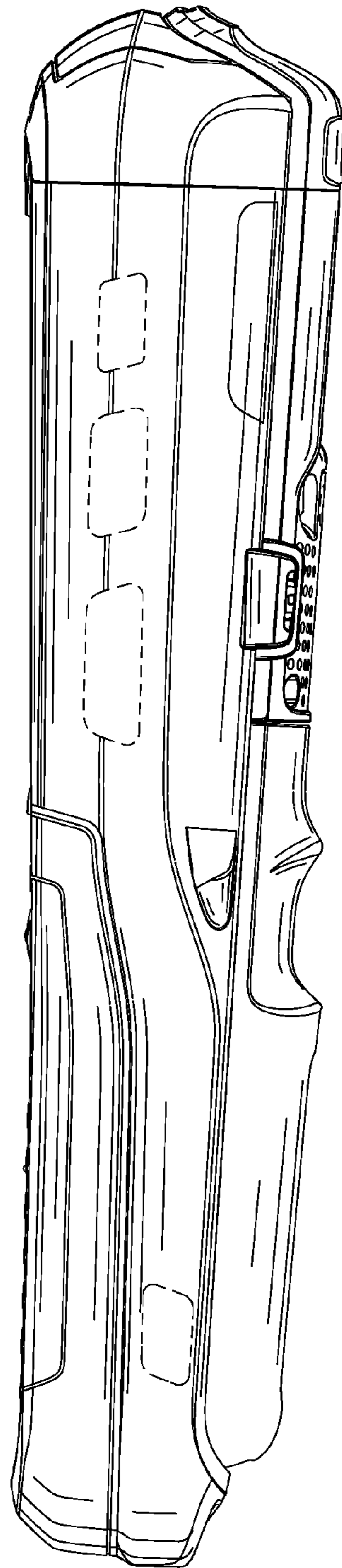


FIG. 6

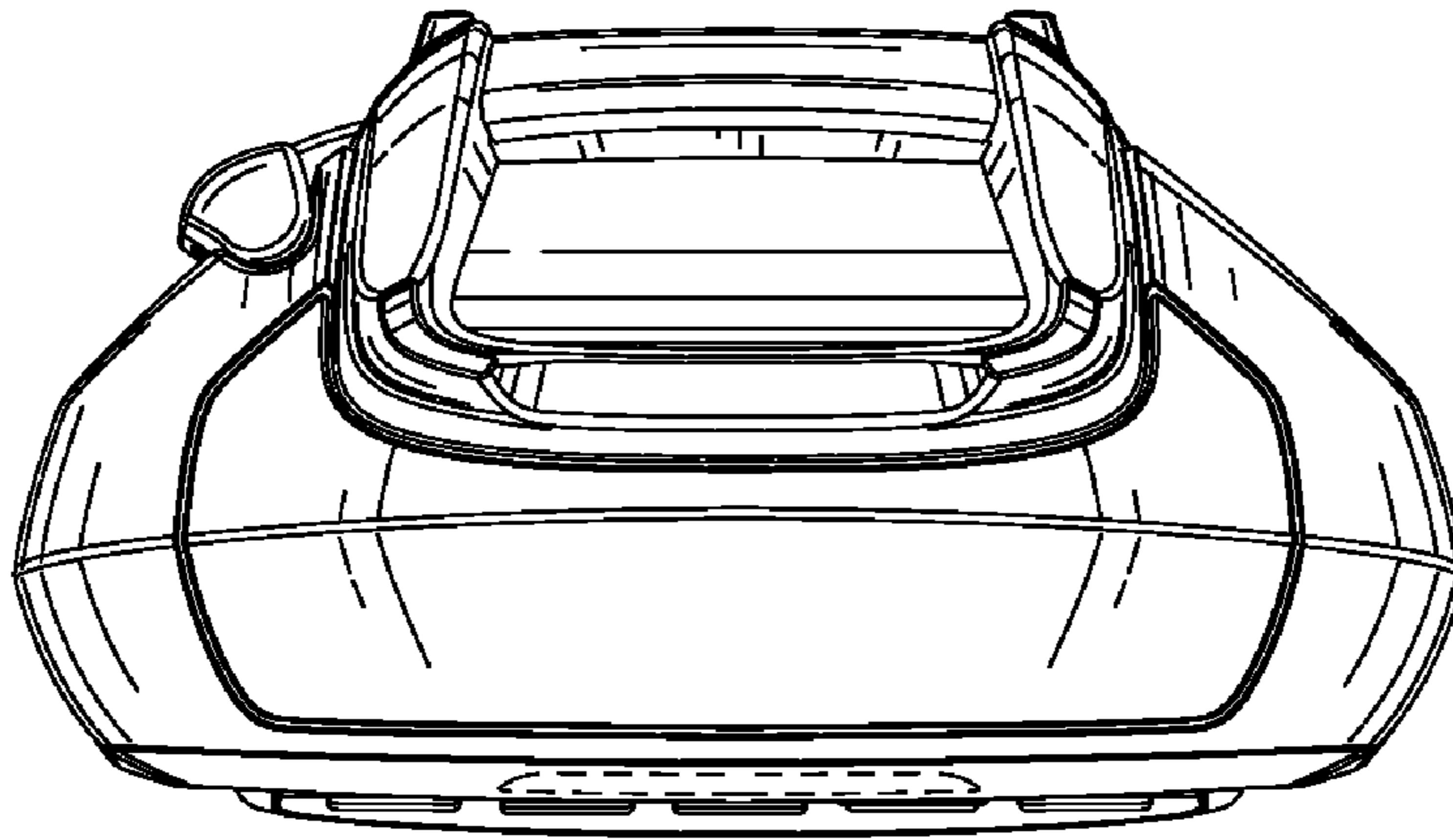


FIG. 7

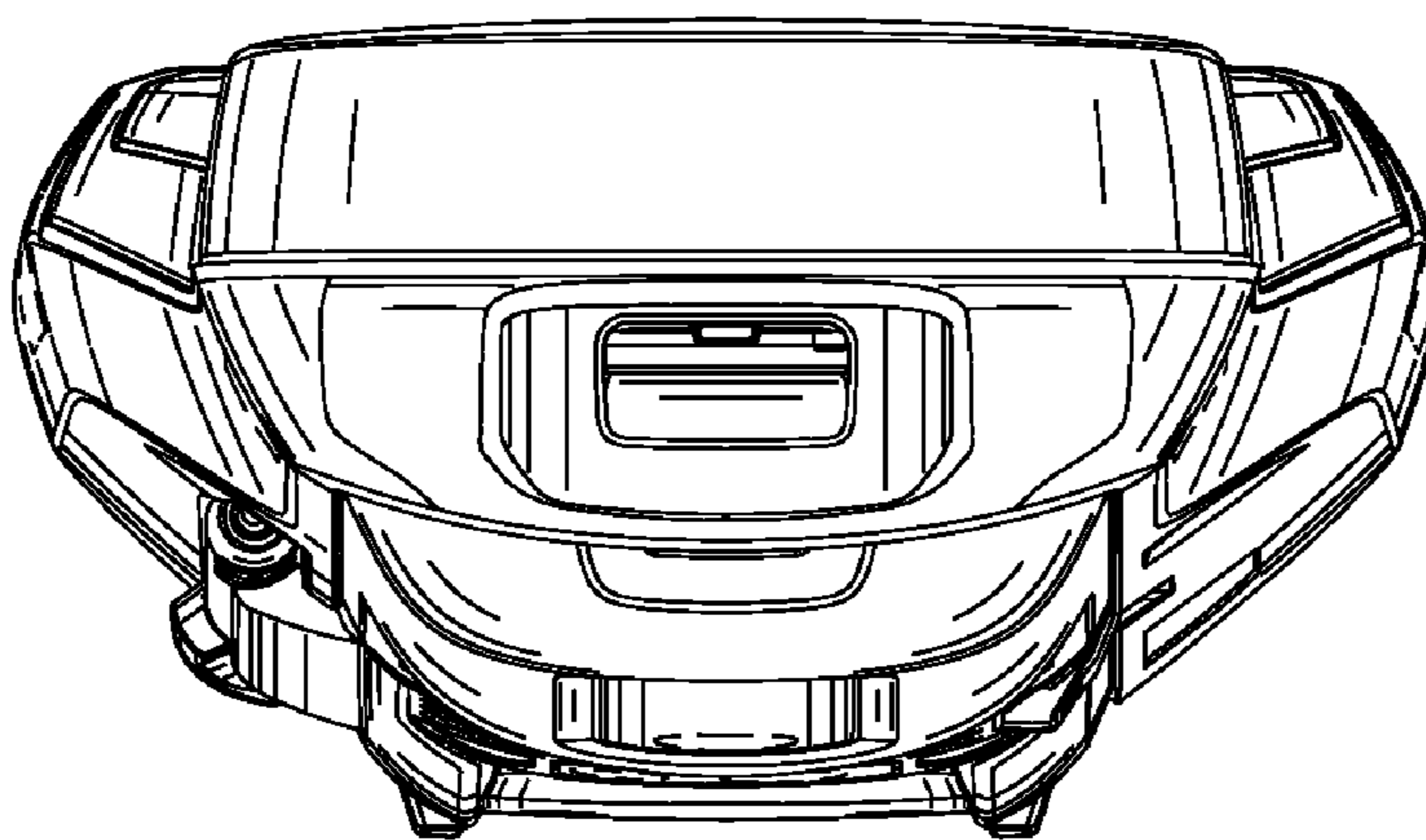


FIG. 8

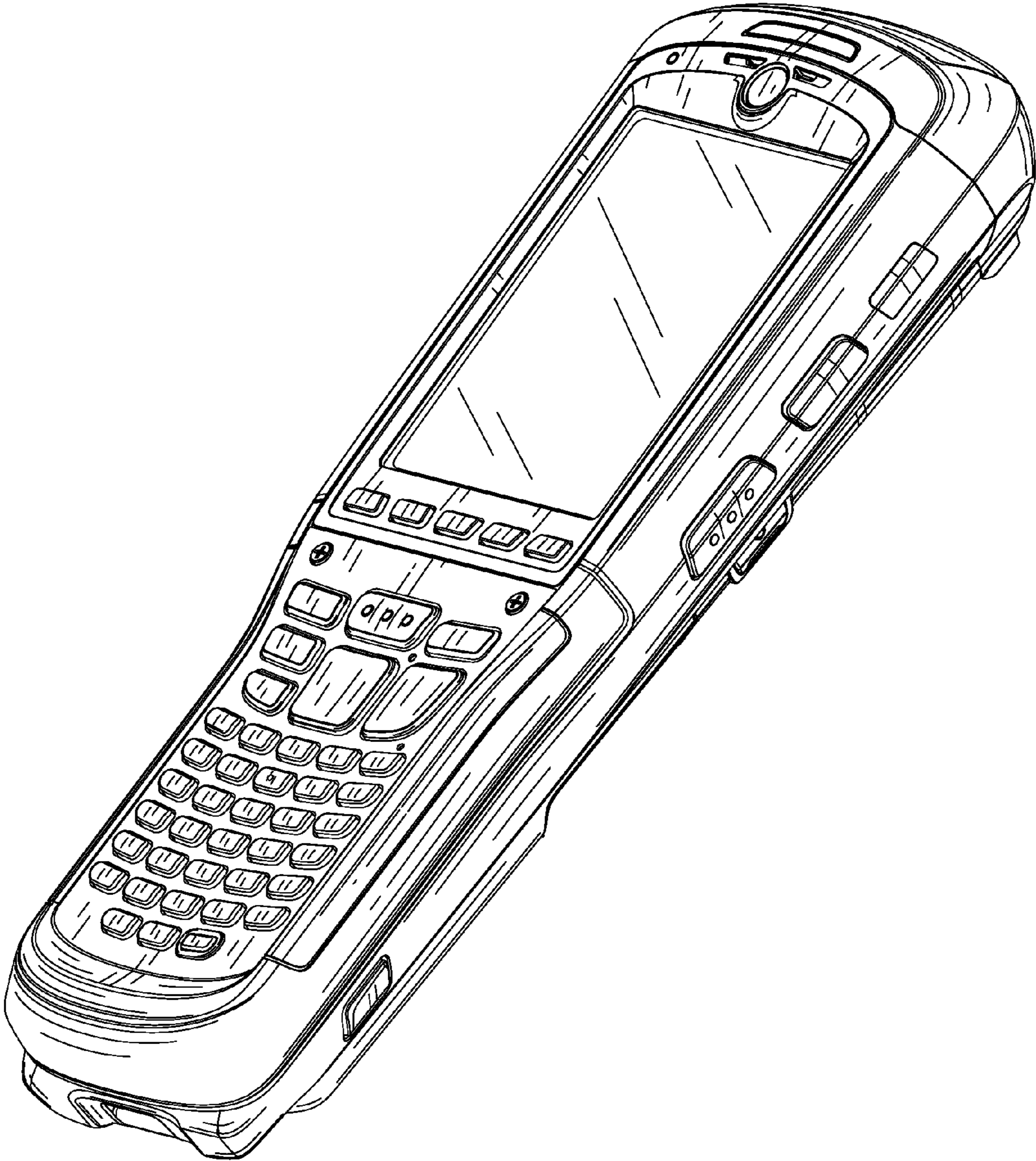


FIG. 9

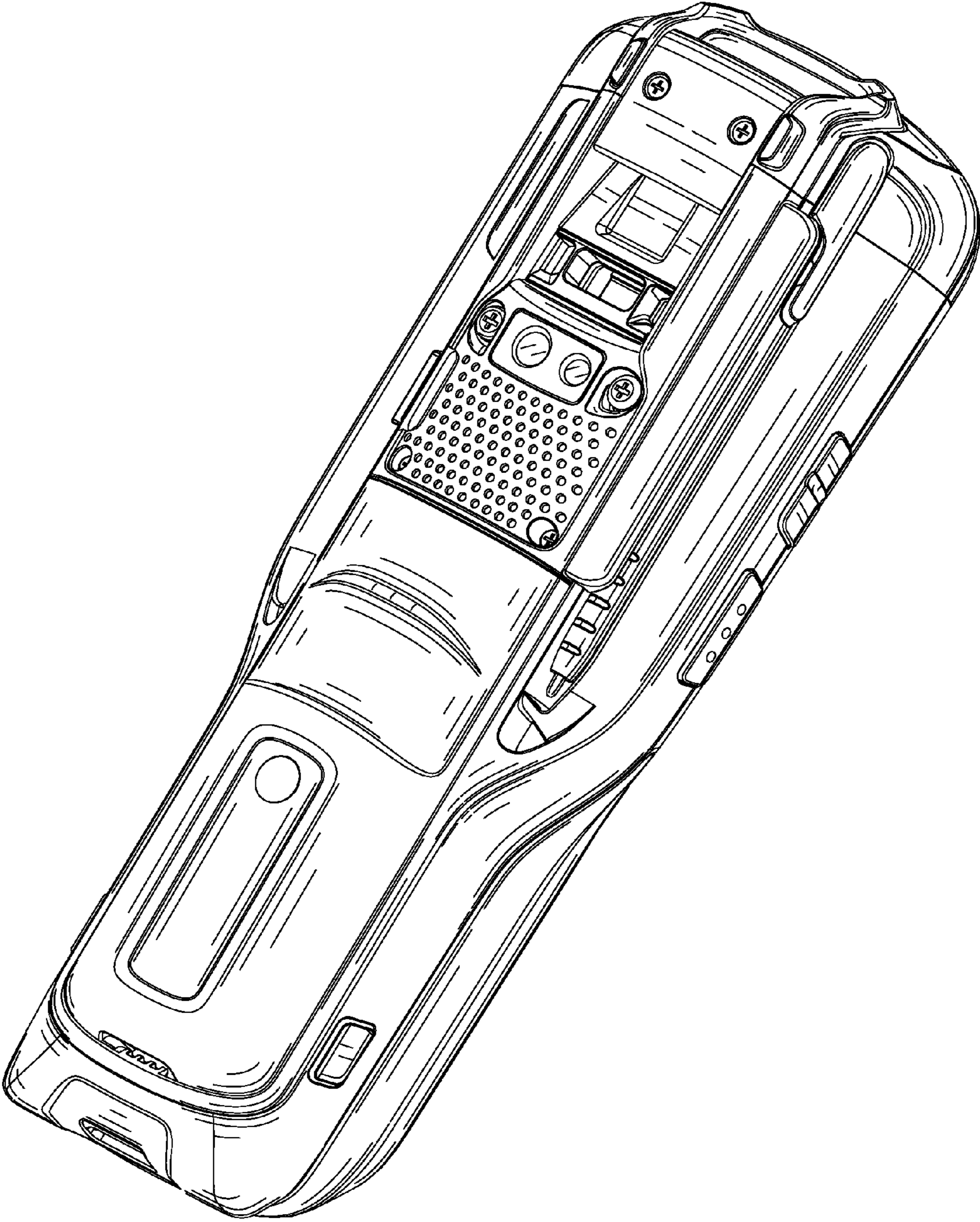


FIG. 10

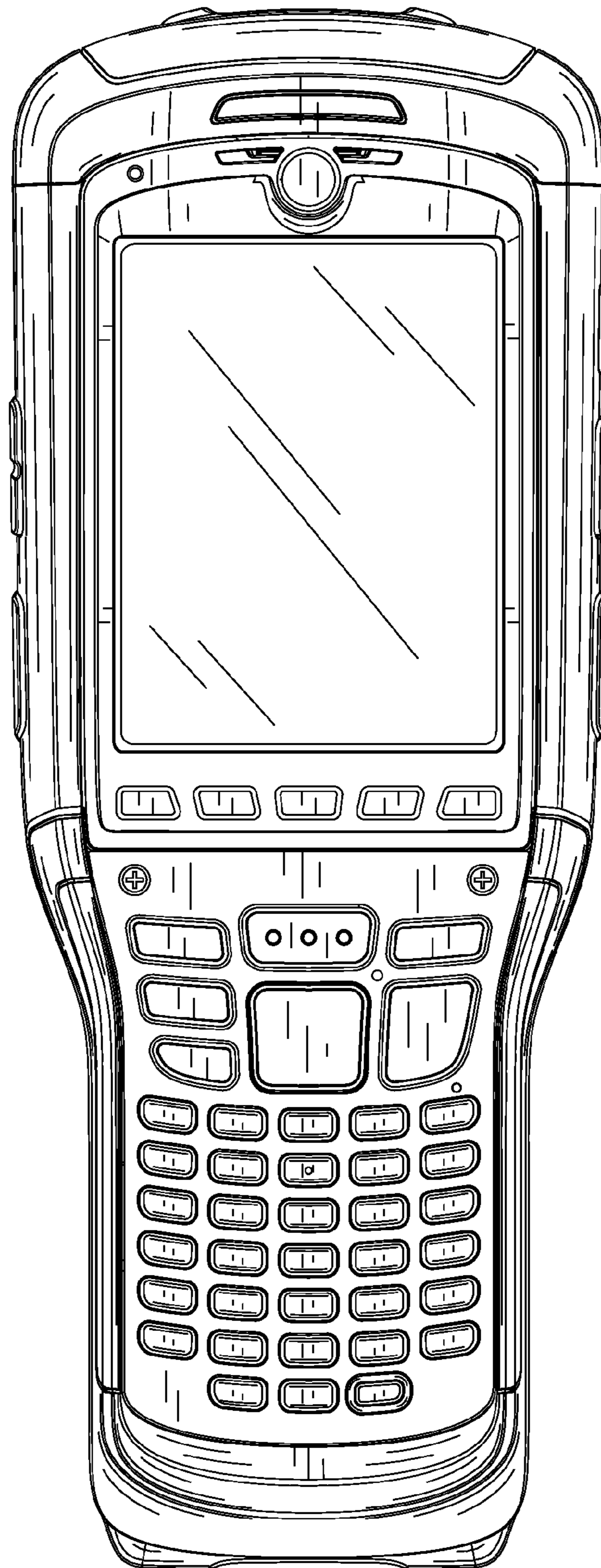


FIG. 11

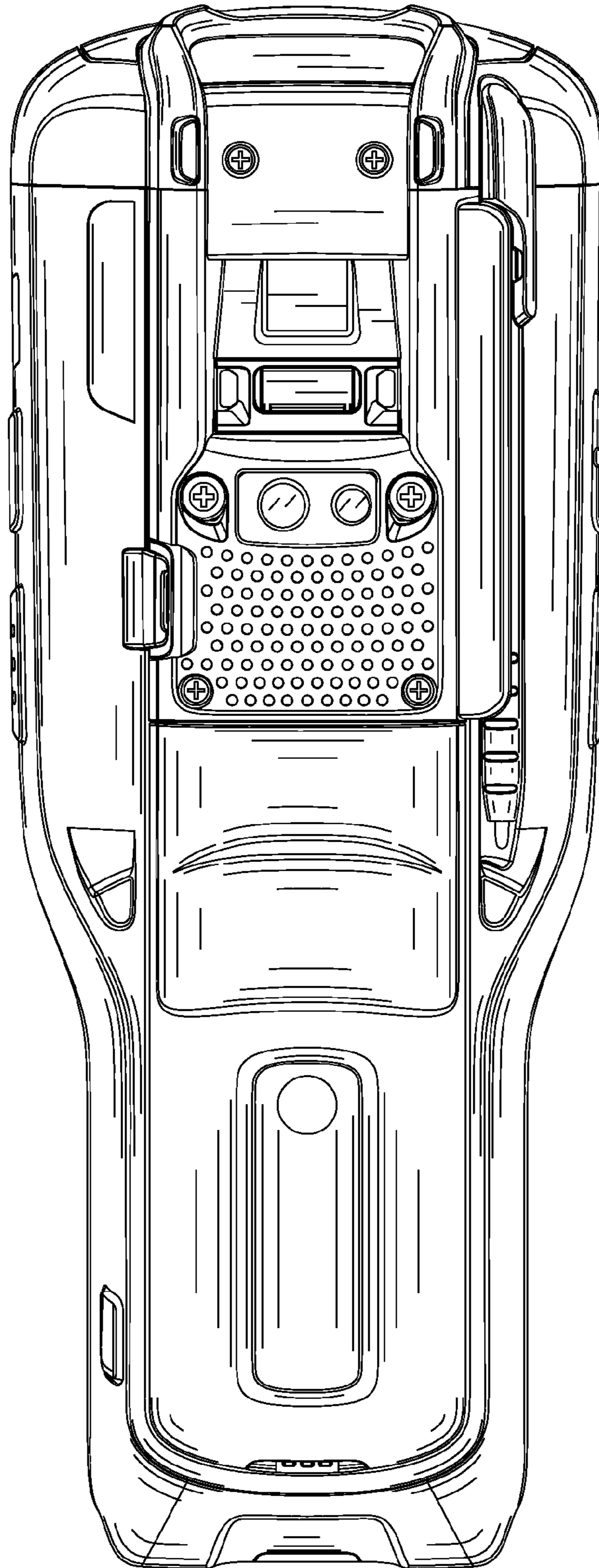


FIG. 12

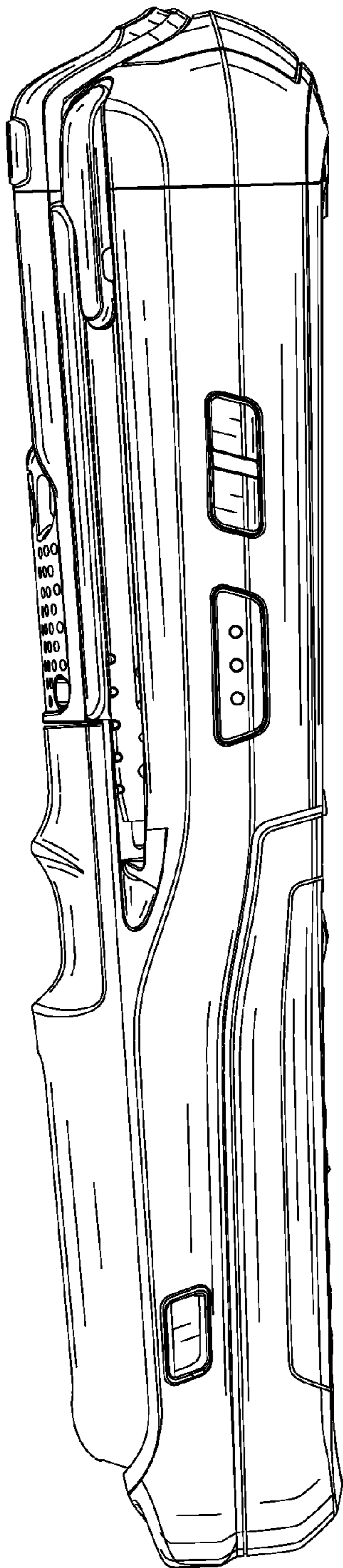


FIG. 13

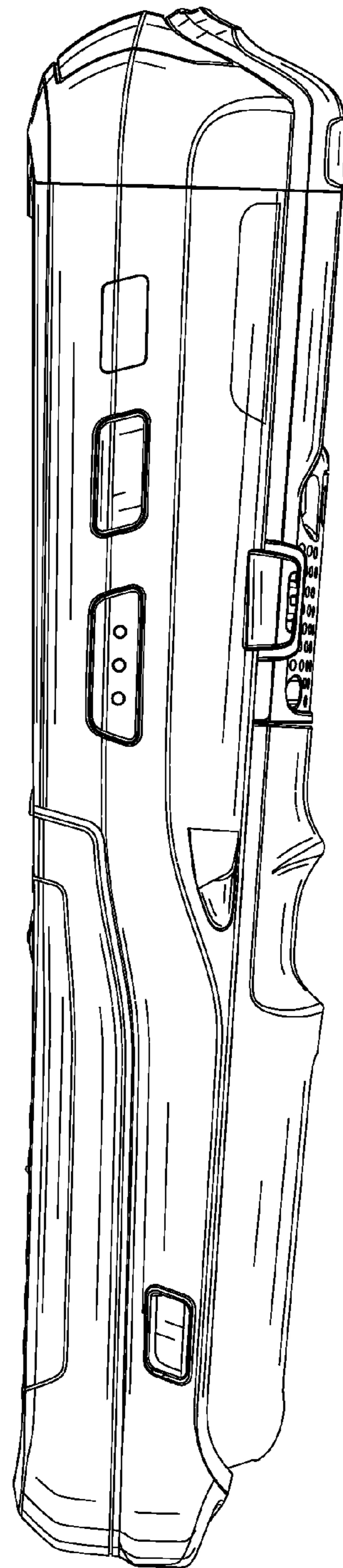


FIG. 14

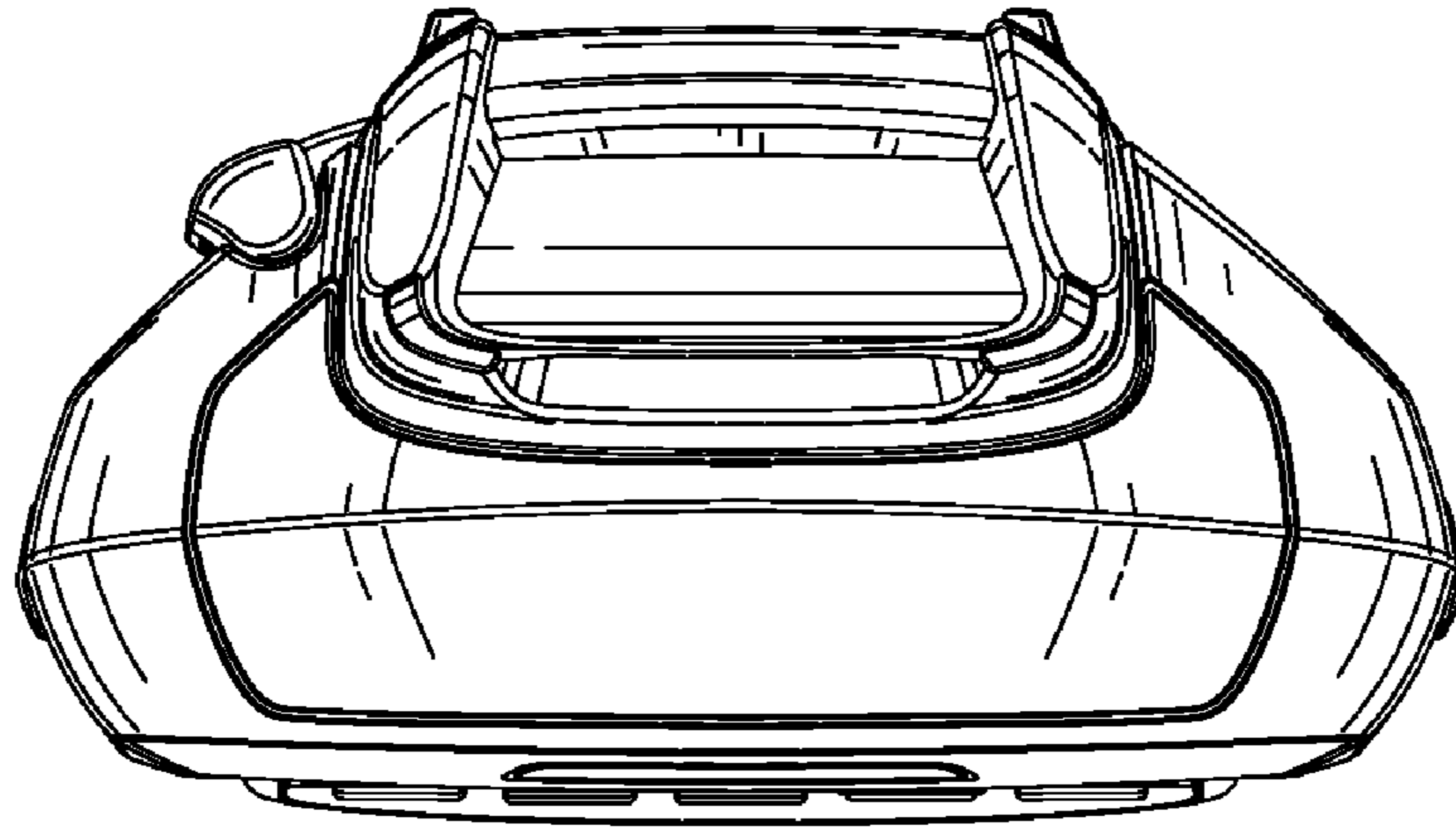


FIG. 15

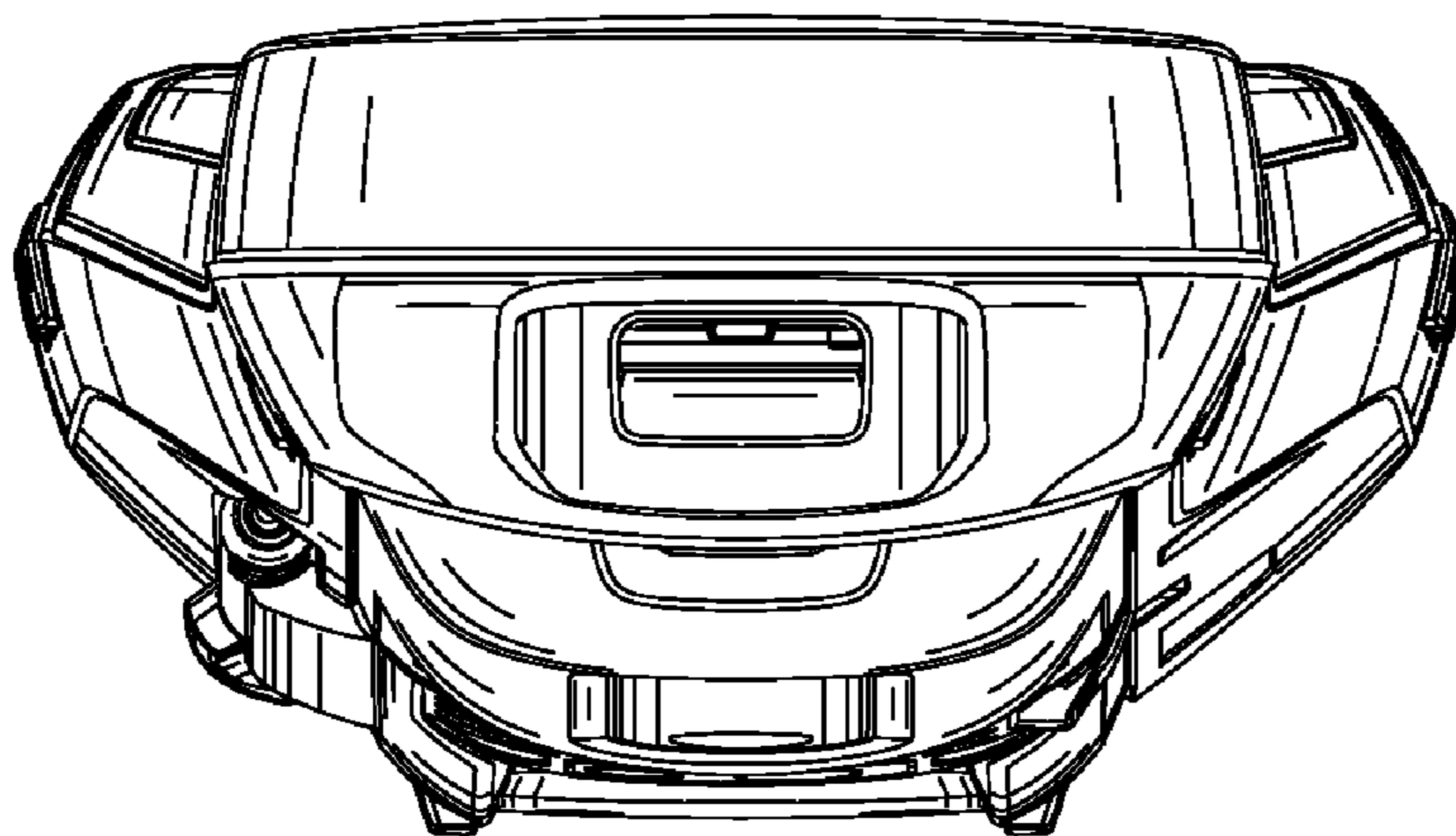


FIG. 16