



US00D628997S

(12) **United States Design Patent**
Daniel

(10) **Patent No.:** **US D628,997 S**

(45) **Date of Patent:** **** Dec. 14, 2010**

(54) **ELECTRONIC DEVICE**

(75) Inventor: **Isaac Sayo Daniel**, Miami, FL (US)

(73) Assignee: **F3M3 Companies, Inc.**, Miramar, FL (US)

(**) Term: **14 Years**

(21) Appl. No.: **29/352,707**

(22) Filed: **Dec. 23, 2009**

(51) **LOC (9) Cl.** **14-02**

(52) **U.S. Cl.** **D14/341**

(58) **Field of Classification Search** D14/341-347, D14/137, 138, 138.1, 138 AA, 138 R, 138 AB, D14/138 AC, 138 AD, 138 C, 138 G, 496, D14/203.1, 203.4, 203.5, 203.6, 203.7, 426, D14/427, 428, 432, 429, 129, 130, 240, 441, D14/448, 125, 147, 156, 218, 247-248, 250, D14/389; D10/65, 104; D18/6-7; D21/324, D21/329, 330; D19/60; 455/556.1, 556.2, 455/566, 575.1, 90.3; 379/433.04, 433.07, 379/916, 433.01, 433.06; 345/901, 905
See application file for complete search history.

(56) **References Cited**

U.S. PATENT DOCUMENTS

D270,062 S * 8/1983 Ackeret D6/308
D270,063 S * 8/1983 Ackeret D6/308

5,873,045 A * 2/1999 Lee et al. 455/556.2
D491,560 S * 6/2004 Hsu Li D14/371
D524,308 S * 7/2006 Lai D14/346
D525,621 S * 7/2006 Hirota D14/346
D551,226 S * 9/2007 Lee et al. D14/341
D571,798 S * 6/2008 Ogasawara D14/341
D614,182 S * 4/2010 Busri D14/341
D616,436 S * 5/2010 Busri D14/341

* cited by examiner

Primary Examiner—Cathron C Brooks

Assistant Examiner—Barbara Fox

(74) *Attorney, Agent, or Firm*—Alberto Interian, III, Esq.

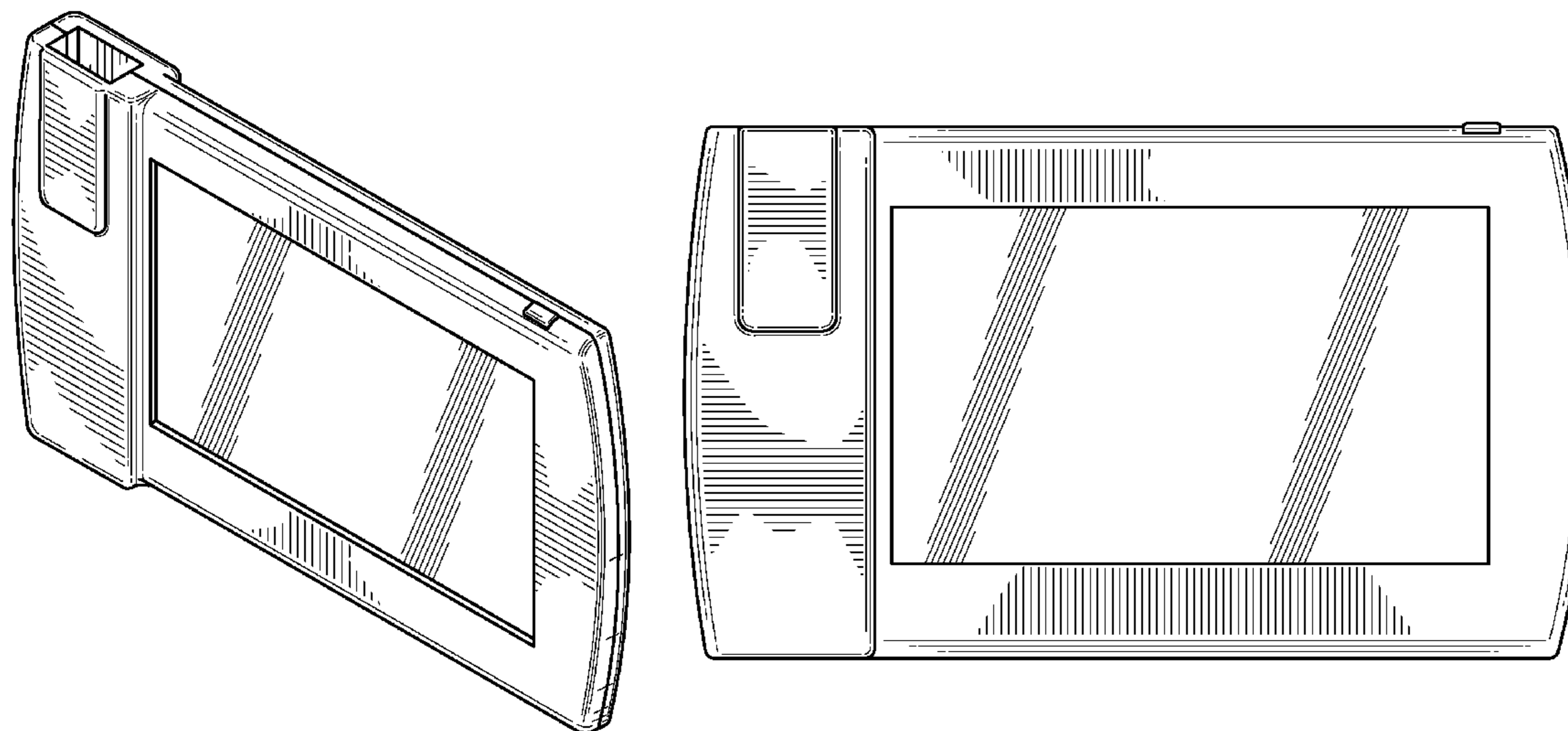
(57) **CLAIM**

The ornamental design for an electronic device, as shown and described.

DESCRIPTION

FIG. 1 is a perspective view of the electronic device;
FIG. 2 is a front view of the device;
FIG. 3 is a side view of the device;
FIG. 4 is a rear view of the device;
FIG. 5 is a top view of the device;
FIG. 6 is a side view of the device; and,
FIG. 7 is a bottom view of the device.

1 Claim, 7 Drawing Sheets



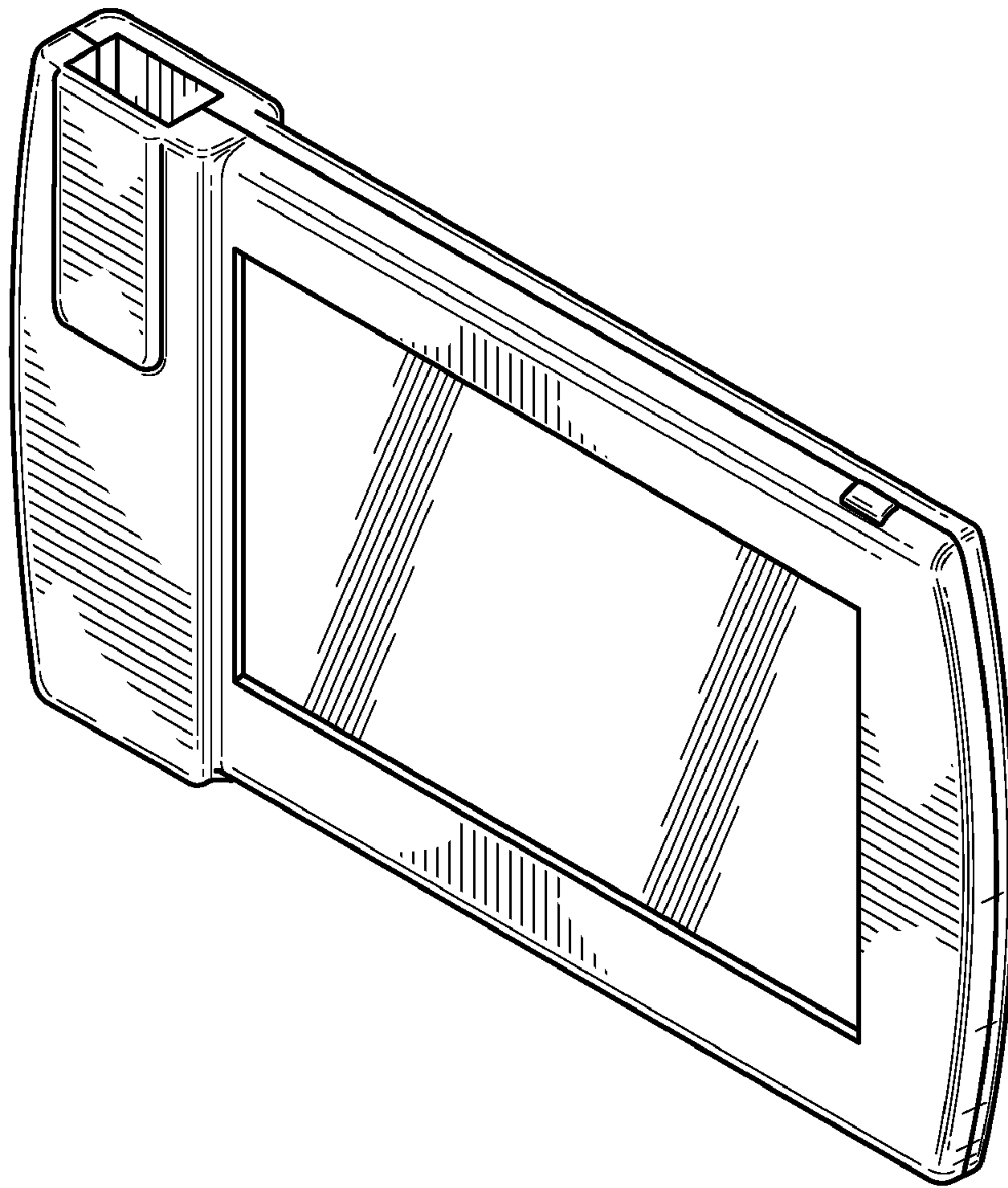


FIG. 1

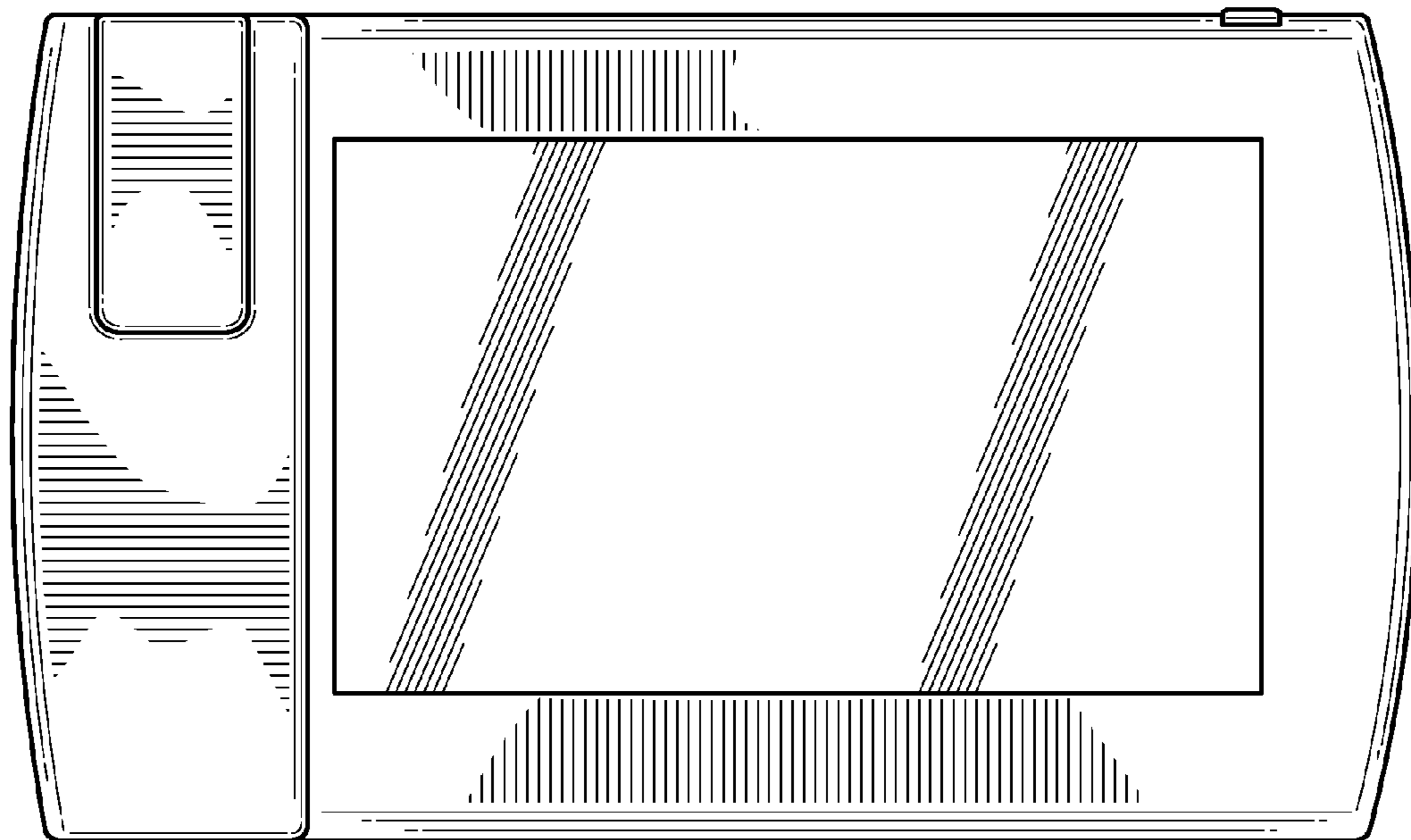


FIG. 2

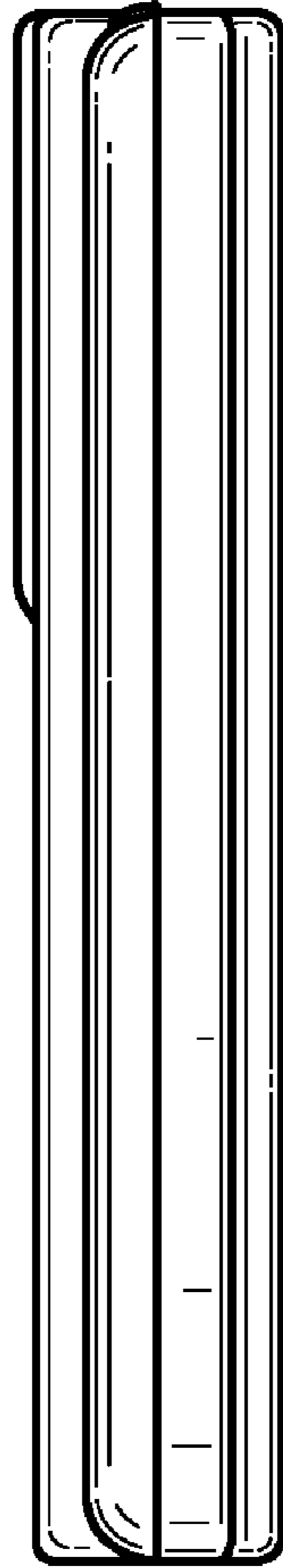


FIG. 3

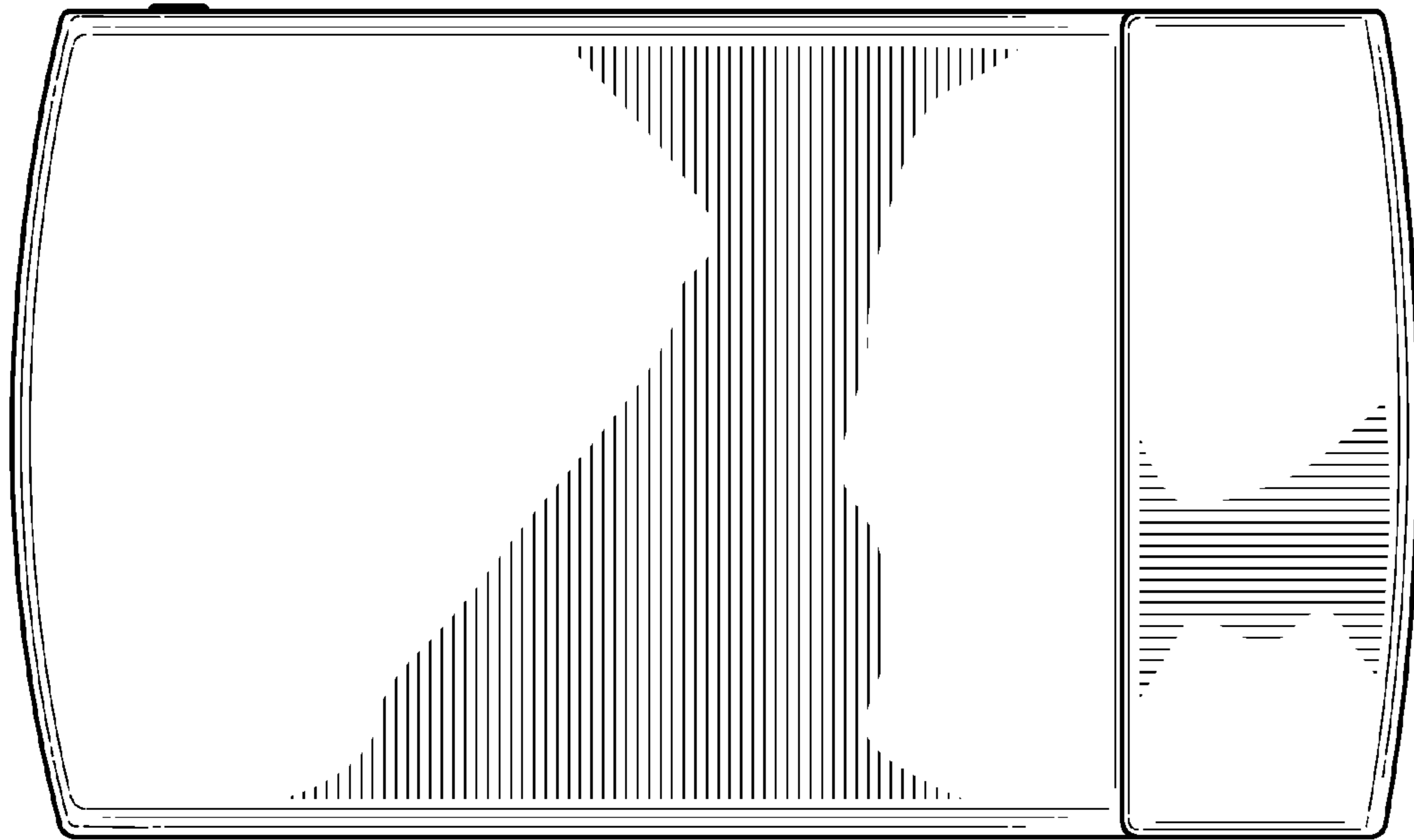


FIG. 4

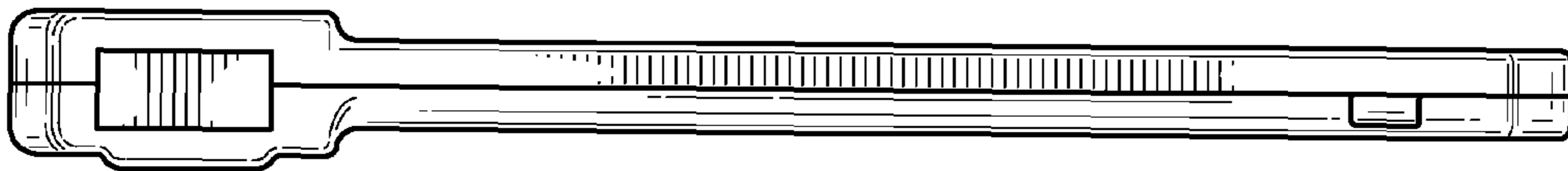


FIG. 5

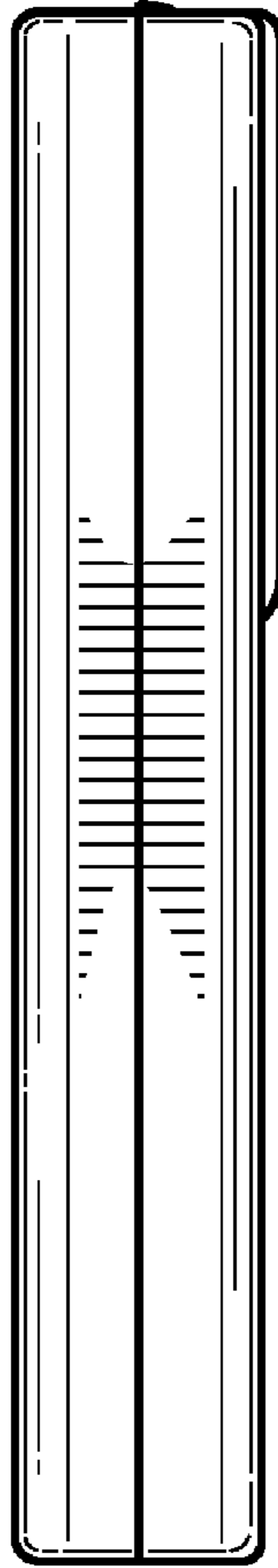


FIG. 6

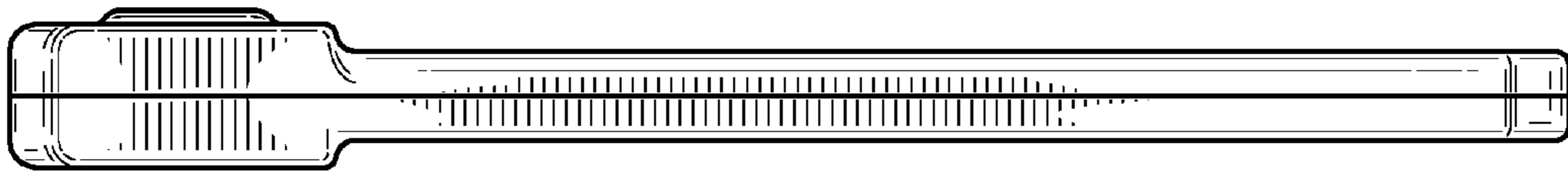


FIG. 7