



US00D628994S

(12) **United States Design Patent**
Griffin, Jr. et al.

(10) **Patent No.:** **US D628,994 S**
(45) **Date of Patent:** **** Dec. 14, 2010**

(54) **CASE FOR MOBILE PHONE**

D582,149 S * 12/2008 Tan D3/218

(75) Inventors: **Paul P. Griffin, Jr.**, Nashville, TN (US);
Steven P Greenwell, Nashville, TN (US)

(Continued)

(73) Assignee: **Griffin Technology, Inc.**, Nashville, TN (US)

OTHER PUBLICATIONS

Clear Snap-On Cover For Palm Treo 800w, <URL:http://www.cellphoneshop.net/800wsnap.html>, retrieved from internet Nov. 18, 2009.*

(**) Term: **14 Years**

(Continued)

(21) Appl. No.: **29/318,931**

(22) Filed: **May 30, 2008**

Primary Examiner—Robert M Spear
Assistant Examiner—Carla Jobe Wright

(51) **LOC (9) Cl.** **14-03**

(52) **U.S. Cl.** **D14/250**

(58) **Field of Classification Search** D14/140,
D14/142, 167, 217, 218, 240, 242, 248, 250–253,
D14/299; D3/200–201, 218–219, 228, 269,
D3/301; D13/103, 107–108, 119; 220/4.02;
224/191, 240; 248/206.2–206.4, 220.21,
248/279.1, 309.1; 361/679.3, 679.56; 379/420.04,
379/426, 433.11, 446–447, 454, 455; 455/575.1,
455/575.6, 575.7, 575.8, 575.9; 190/100

(74) *Attorney, Agent, or Firm*—Hornkohl Intellectual Property Law PLLC; Jason L. Hornkohl

See application file for complete search history.

(57) **CLAIM**

The ornamental design for a case for a mobile phone, as shown and described.

(56) **References Cited**

DESCRIPTION

U.S. PATENT DOCUMENTS

D312,534 S	*	12/1990	Nelson et al.	D3/228
D459,346 S	*	6/2002	Powell	D14/250
6,616,111 B1	*	9/2003	White	248/309.1
6,646,864 B2	*	11/2003	Richardson	361/679.3
D543,541 S	*	5/2007	Chung et al.	D14/250
D551,855 S	*	10/2007	Yeh et al.	D3/218
D556,681 S	*	12/2007	Kim	D13/103
D561,092 S	*	2/2008	Kim	D13/103
D565,291 S	*	4/2008	Brandenburg et al.	D3/218
D574,819 S	*	8/2008	Andre et al.	D14/250
D575,056 S	*	8/2008	Tan	D3/218
D581,151 S	*	11/2008	Aipa	D3/201

FIG. 1 is an isometric view showing the new design for a case for a mobile phone;

FIG. 2 is an exploded view of the case for a mobile phone;

FIG. 3 is a front view of the case for a mobile phone;

FIG. 4 is a back view of the case for a mobile phone;

FIG. 5 is a left side view of the case for a mobile phone;

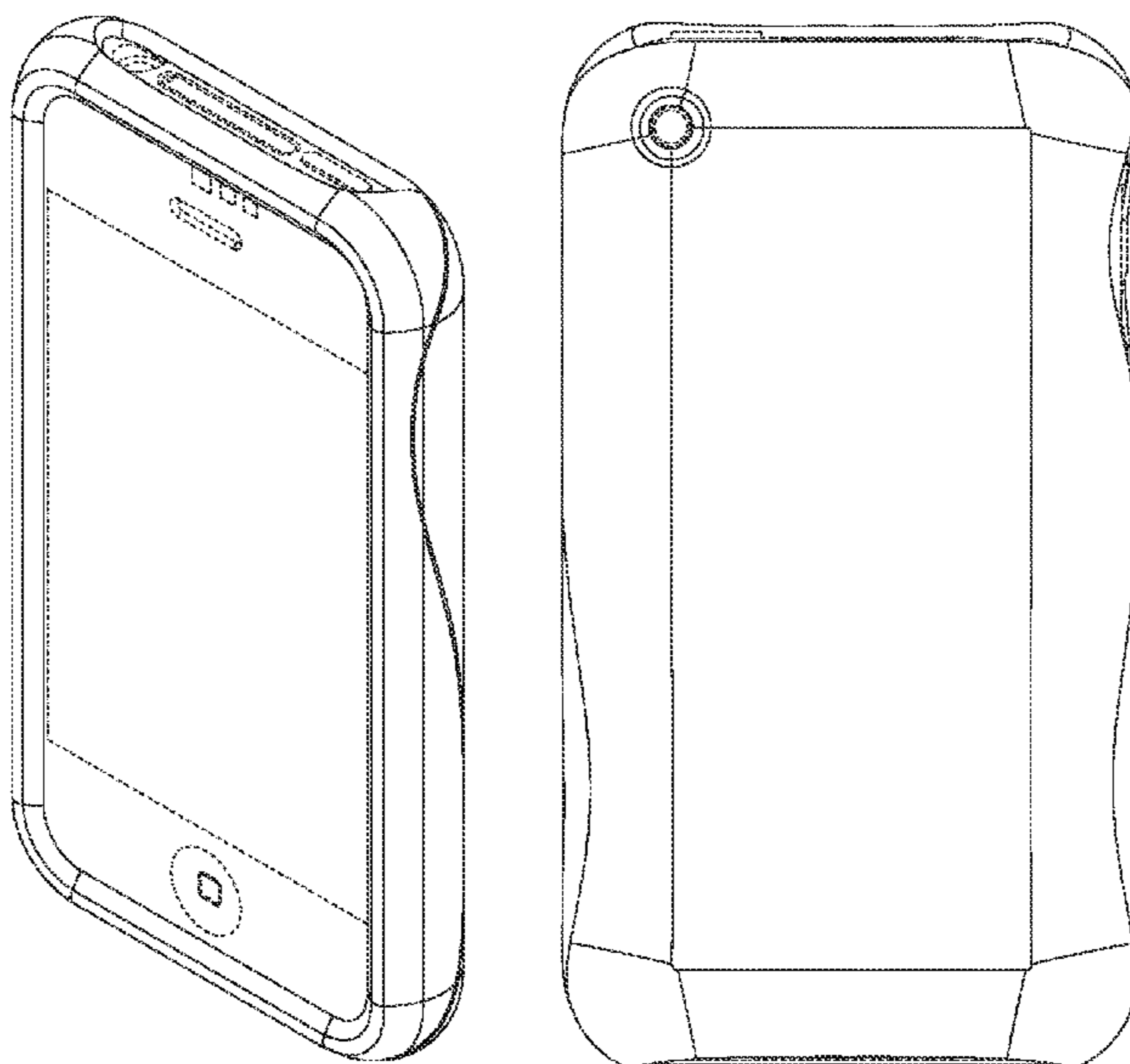
FIG. 6 is a right side view of the case for a mobile phone;

FIG. 7 is a top view of the case for a mobile phone; and,

FIG. 8 is a bottom view of the case for a mobile phone.

The broken lines in the drawing figures are for the purpose of illustrating a mobile phone that forms no part of the claimed design.

1 Claim, 8 Drawing Sheets



US D628,994 S

Page 2

U.S. PATENT DOCUMENTS

D587,896 S * 3/2009 Aipa D3/201
D593,746 S * 6/2009 Richardson et al. D3/201
D593,750 S * 6/2009 Song D3/269
D597,089 S * 7/2009 Khan et al. D14/250
D597,301 S * 8/2009 Richardson et al. D3/218
D600,908 S * 9/2009 Richardson et al. D3/218
D603,389 S * 11/2009 Khan et al. D14/250
D603,602 S * 11/2009 Richardson et al. D3/218
D603,603 S * 11/2009 Laine et al. D3/218
7,612,997 B1 * 11/2009 Diebel et al. 361/679.56
2008/0251512 A1 * 10/2008 Griffin et al. 220/4.02
2009/0181729 A1 * 7/2009 Griffin et al. 455/575.1

2009/0181735 A1* 7/2009 Griffin et al. 455/575.7

OTHER PUBLICATIONS

Clear Snap-On Cover For Apple iPhone 3G, iPhone 3G S,
<URL:<http://www.cellphoneshop.net/clsncoforapi1.html>>,
retrieved from internet Nov. 18, 2009.*

Samsung Eternity SGH-A867 Color Dots On White Snap-On Pro-
tector Case Faceplate, <URL:<http://www.wirelessemporium.com/products/samsung-eternity-sgh-a867-faceplates-covers-samsung-eternity-sgh-a867-color-dots-on-white-snap-on-protector-case-faceplate.asp>>,
retrieved from internet Nov. 18, 2009.*

Spring Flowers Shield Protector Case for HTC Snap S511 (Sprint),
<URL:<http://www.daydeal.com/product.php?productid=35708>>,
retrieved from internet Nov. 18, 2009.*

* cited by examiner

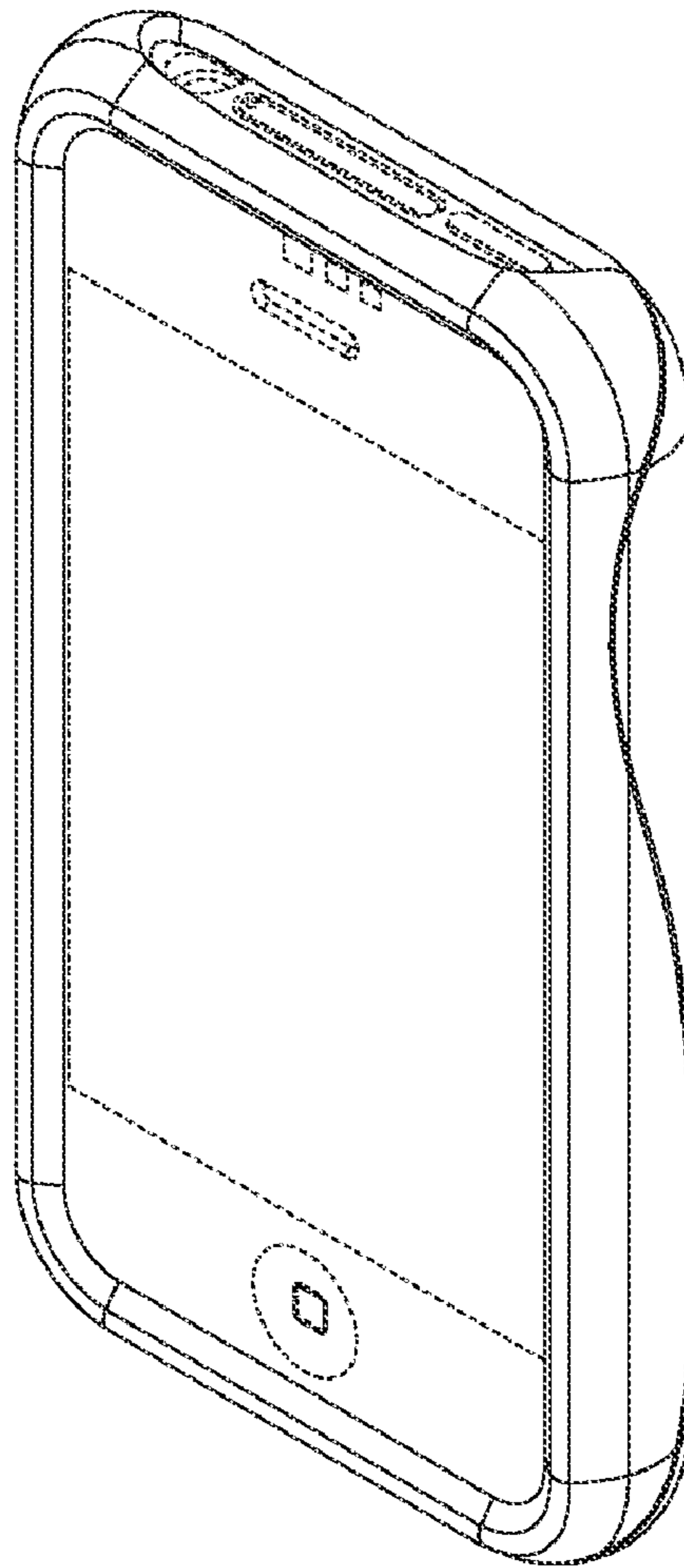


FIG. 1

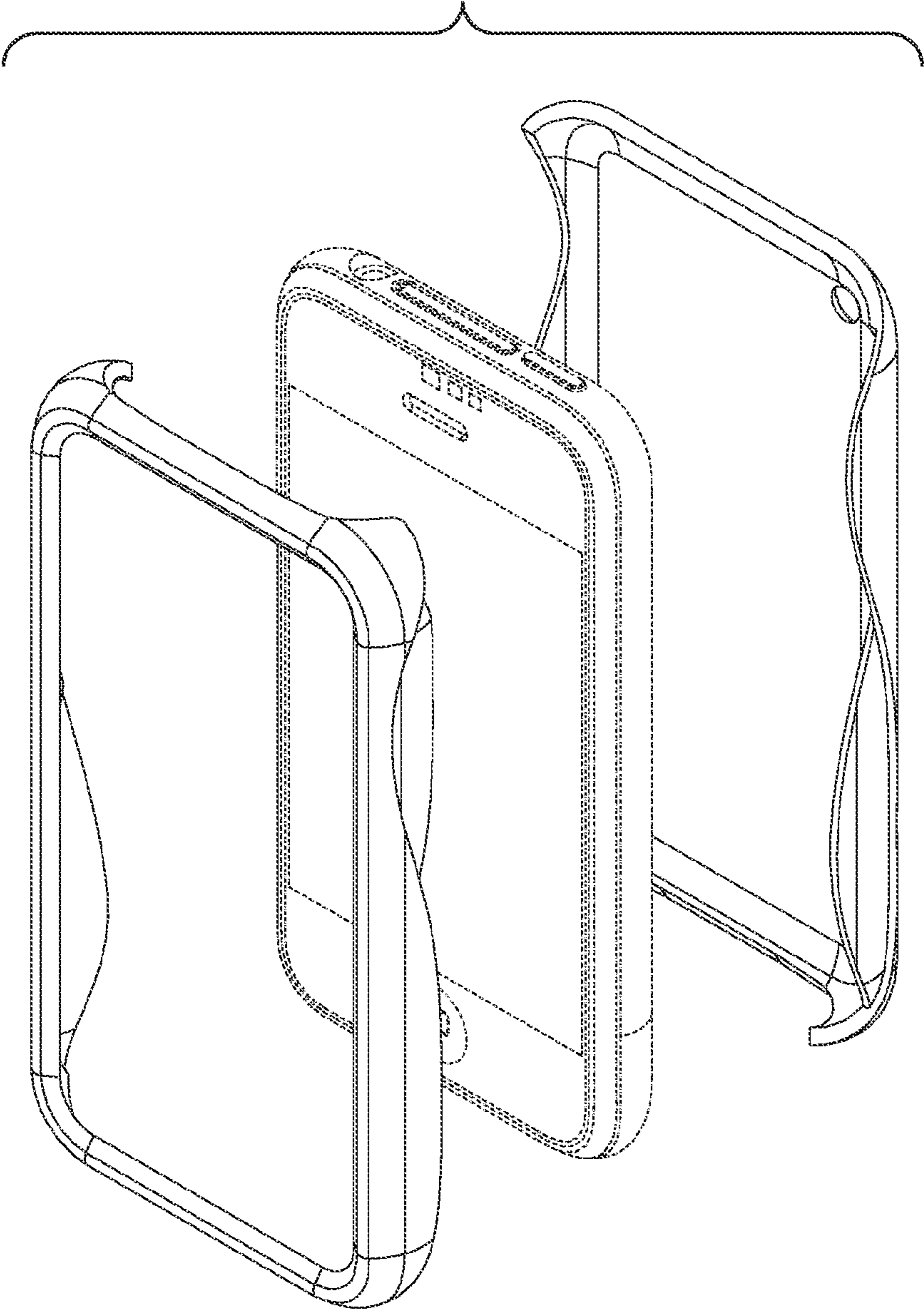


FIG. 2

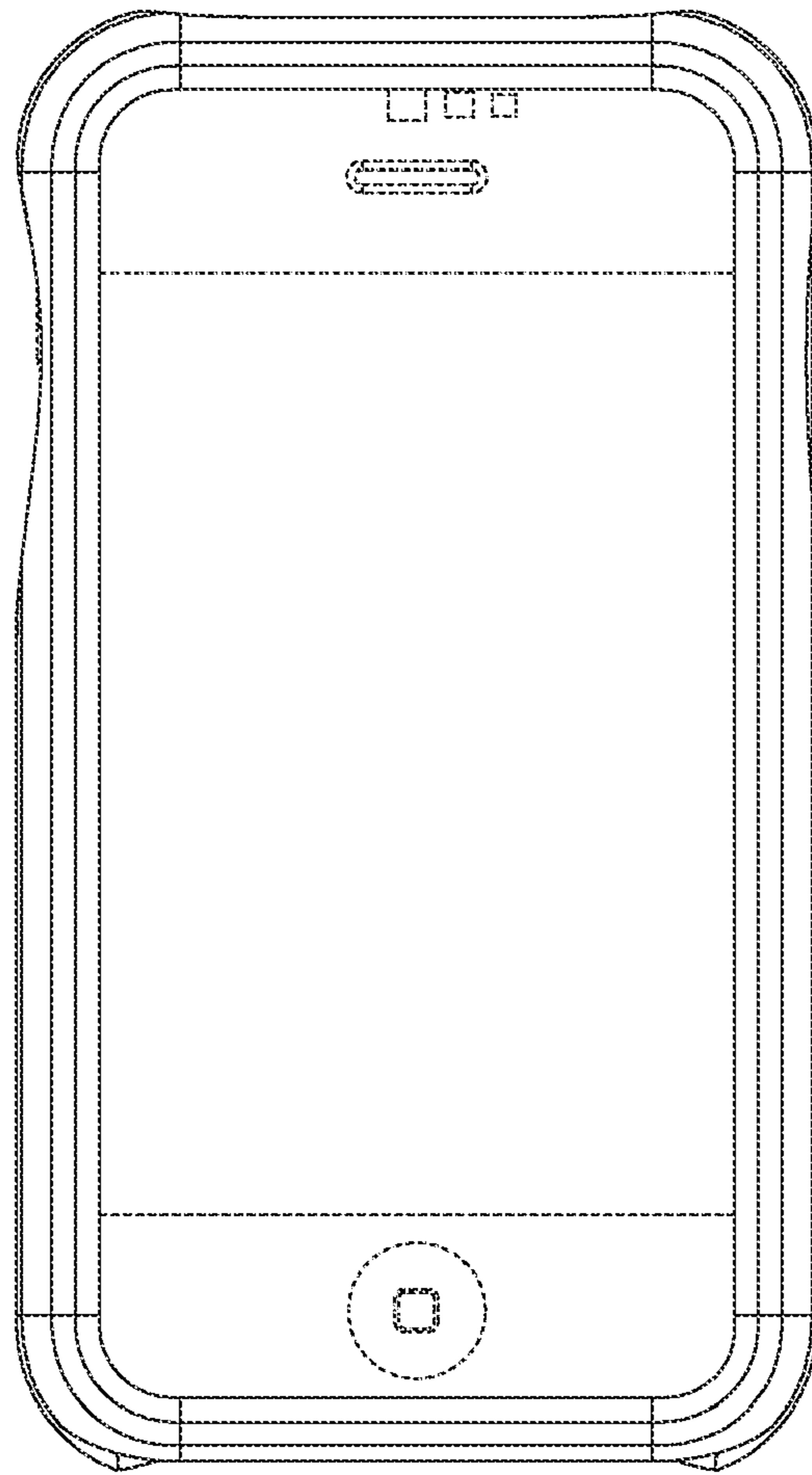


FIG. 3

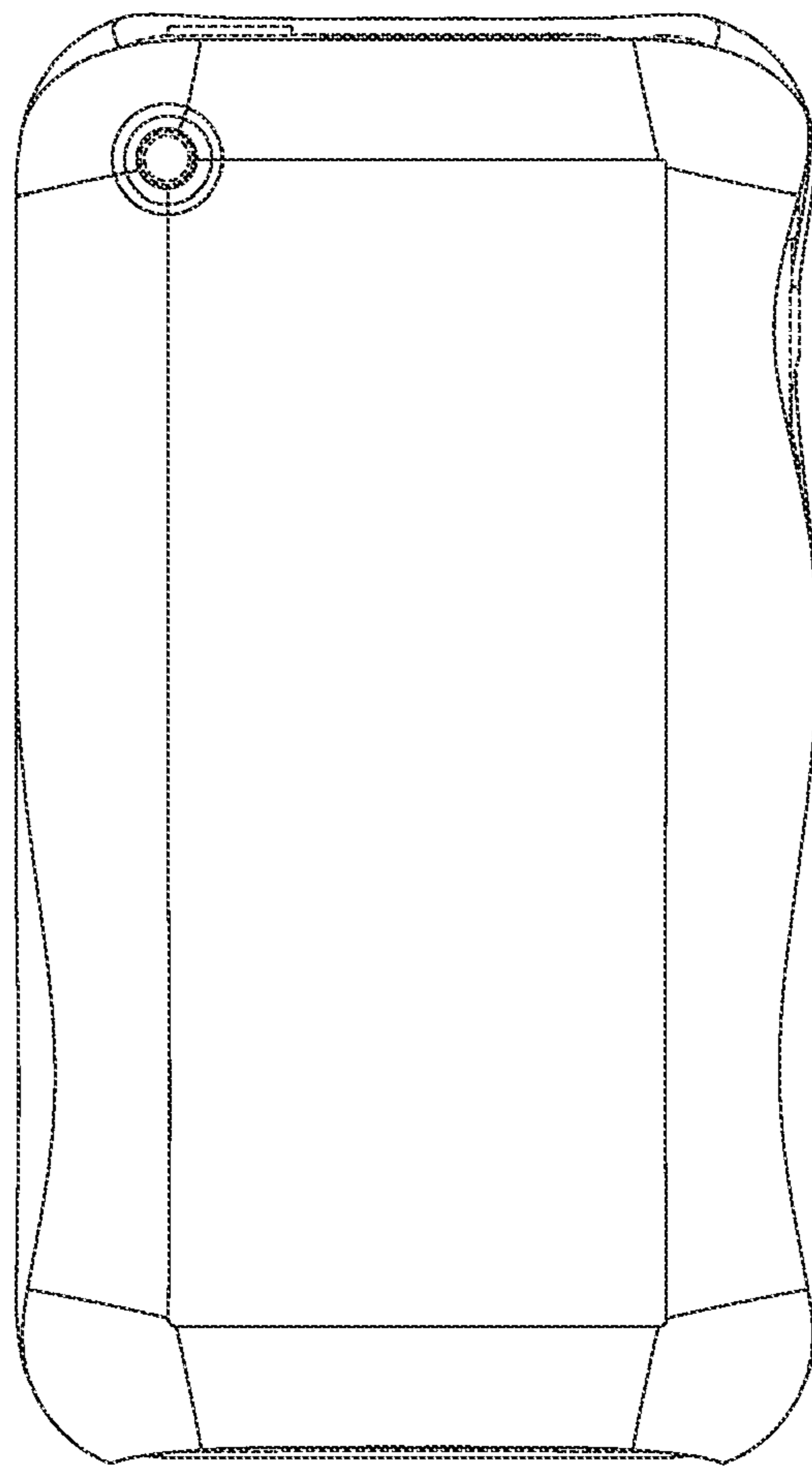


FIG. 4

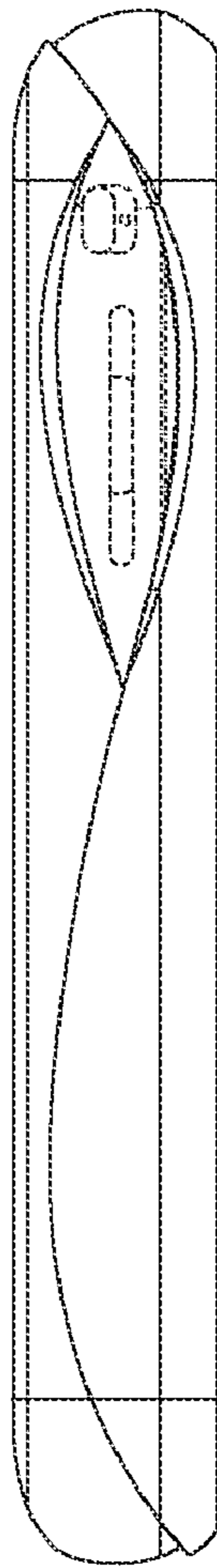


FIG. 5

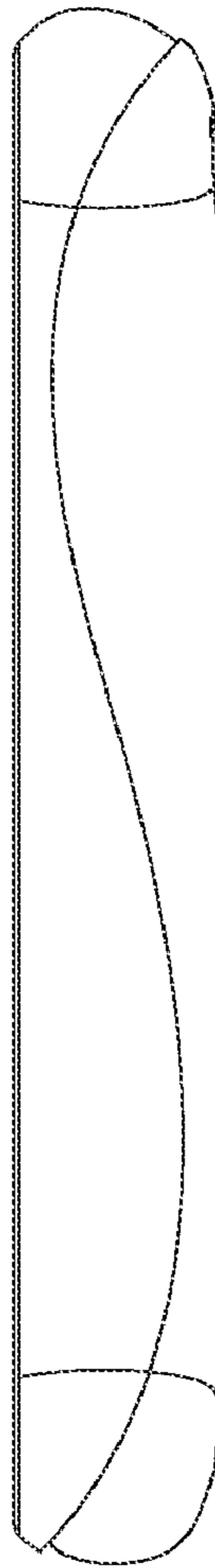


FIG. 6

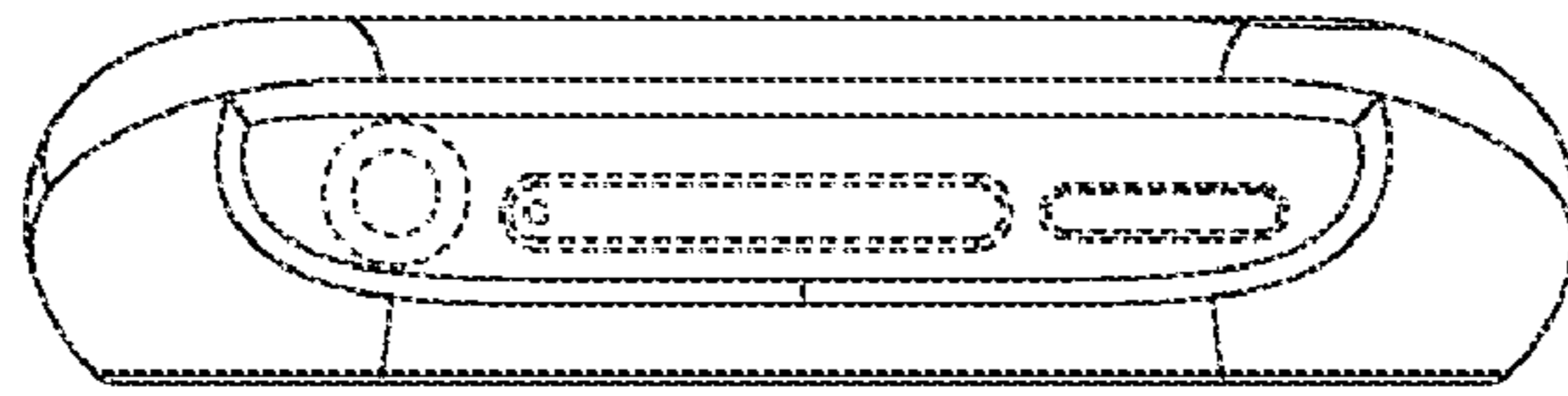


FIG. 7

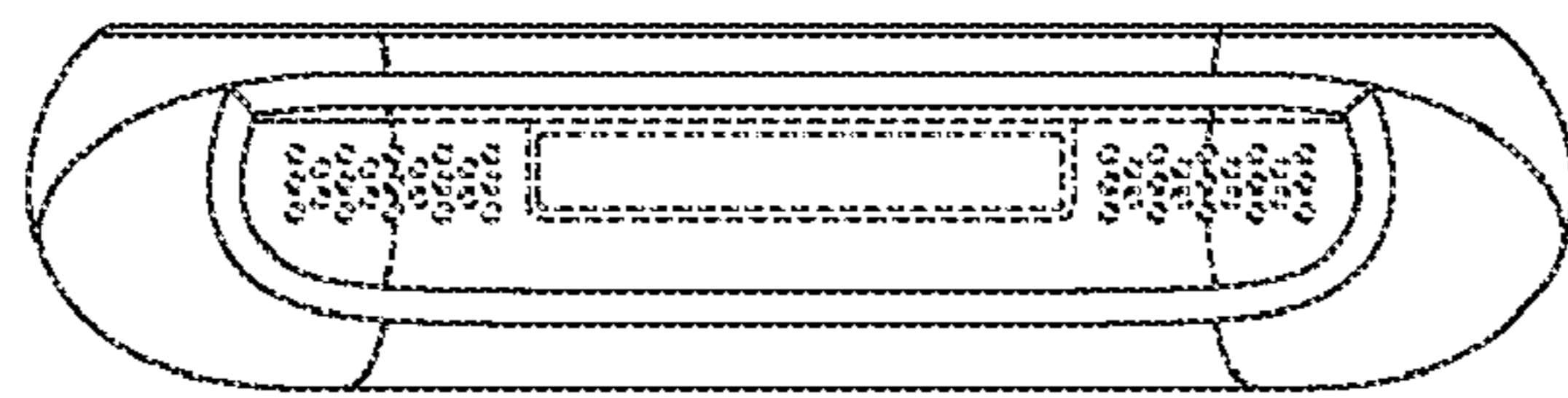


FIG. 8