

US00D628993S

(12) **United States Design Patent**
Steyn

(10) **Patent No.:** **US D628,993 S**

(45) **Date of Patent:** **** Dec. 14, 2010**

(54) **NOISE REDUCING EARPHONE CAPSULE**

(75) **Inventor:** **Andre Steyn, Auckland (NZ)**

(73) **Assignee:** **Phitek Systems Limited, Auckland (NZ)**

(**) **Term:** **14 Years**

(21) **Appl. No.:** **29/292,187**

(22) **Filed:** **Oct. 2, 2007**

(51) **LOC (9) Cl.** **14-01**

(52) **U.S. Cl.** **D14/225**

(58) **Field of Classification Search** D14/205,
D14/206, 223, 225, 228, 242; 181/129, 130,
181/135; 381/380, 381, 382, 326, 385; 128/864;
379/430, 433.01, 433.02, 433.03, 433.04;
455/575.1, 347; D13/107; D24/174

See application file for complete search history.

(56) **References Cited**

U.S. PATENT DOCUMENTS

2,474,135	A *	6/1949	White	381/381
2,584,402	A *	2/1952	Volkman	181/129
2,909,619	A *	10/1959	Hollingsworth	381/326
2,971,065	A *	2/1961	Busse	381/321
2,993,962	A *	7/1961	Hothem	379/430
3,220,505	A *	11/1965	Hargrave	181/129
3,921,756	A *	11/1975	Johnson	181/135
4,447,678	A *	5/1984	Fidi	381/163
D287,765	S *	1/1987	Topholm	D24/174
4,634,816	A *	1/1987	O'Malley et al.	379/430
4,636,446	A *	1/1987	Lee	429/54
4,789,044	A *	12/1988	Akino	181/158

5,105,904	A *	4/1992	Olsen	181/128
D348,066	S *	6/1994	Lucey	D14/223
5,724,431	A *	3/1998	Reiter et al.	381/323
D468,301	S *	1/2003	Fushimi	D14/223
D481,709	S *	11/2003	Solderits	D14/228
D505,411	S *	5/2005	Sakai	D14/192
D522,499	S *	6/2006	Marcichow et al.	D14/225
D531,171	S *	10/2006	Gustafson et al.	D14/228
D537,438	S *	2/2007	Hermansen	D14/223
D538,793	S *	3/2007	Ma et al.	D14/225
D568,290	S *	5/2008	Wikel	D14/205
D574,368	S *	8/2008	Chapman	D14/225
D579,006	S *	10/2008	Kim et al.	D14/223
D595,268	S *	6/2009	Kolton	D14/223

* cited by examiner

Primary Examiner—Paula Greene

(74) *Attorney, Agent, or Firm*—Jackson Walker, LLP

(57) **CLAIM**

The ornamental design of noise reducing earphone capsule, as shown and described.

DESCRIPTION

FIG. 1 is a side elevational view, all side views being the same.

FIG. 2 is a plan view from below.

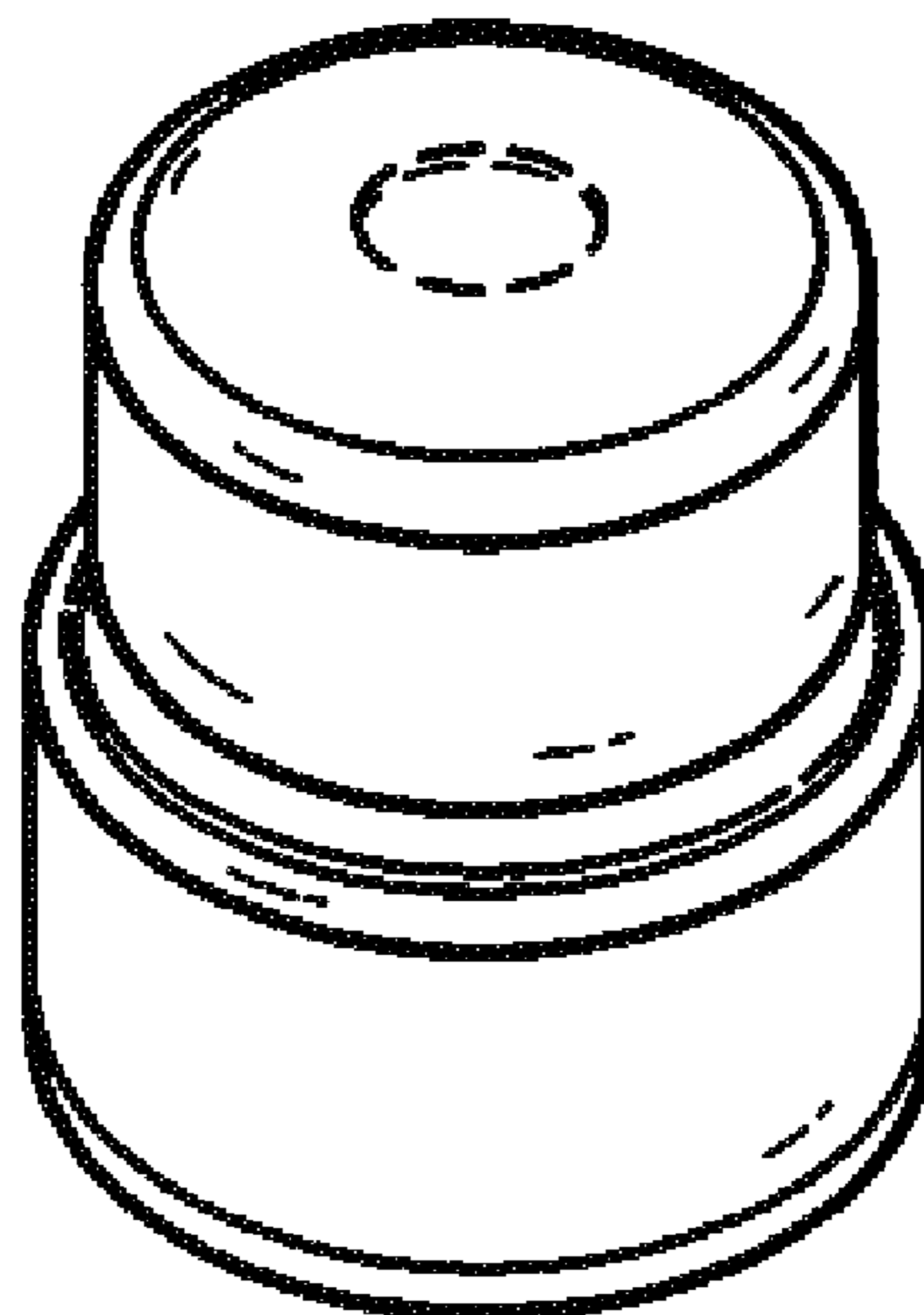
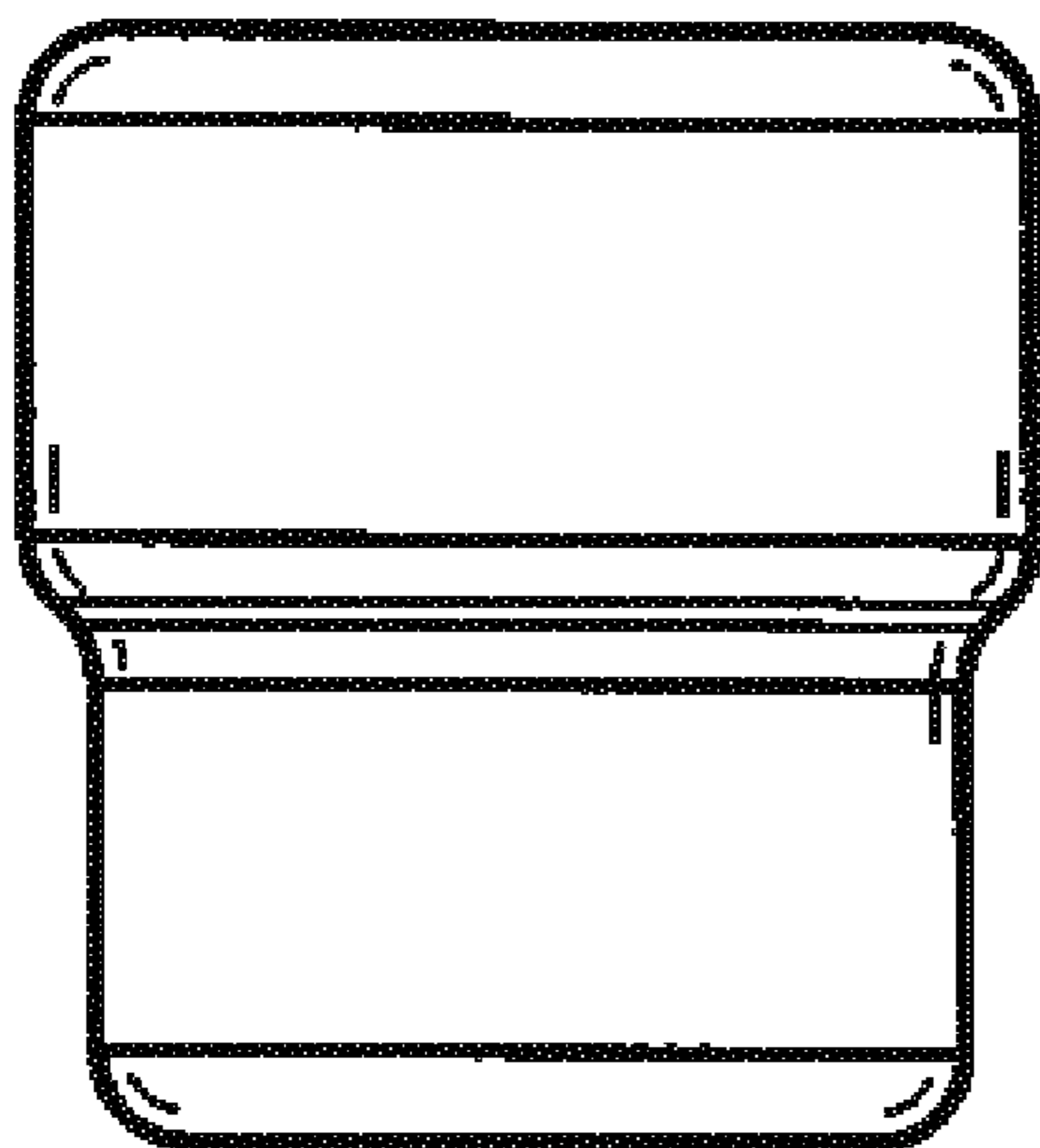
FIG. 3 is a plan view from above.

FIG. 4 is a perspective view from above; and,

FIG. 5 is a perspective view from below.

The broken lines form no part of the claimed design and are designated as environment.

1 Claim, 1 Drawing Sheet



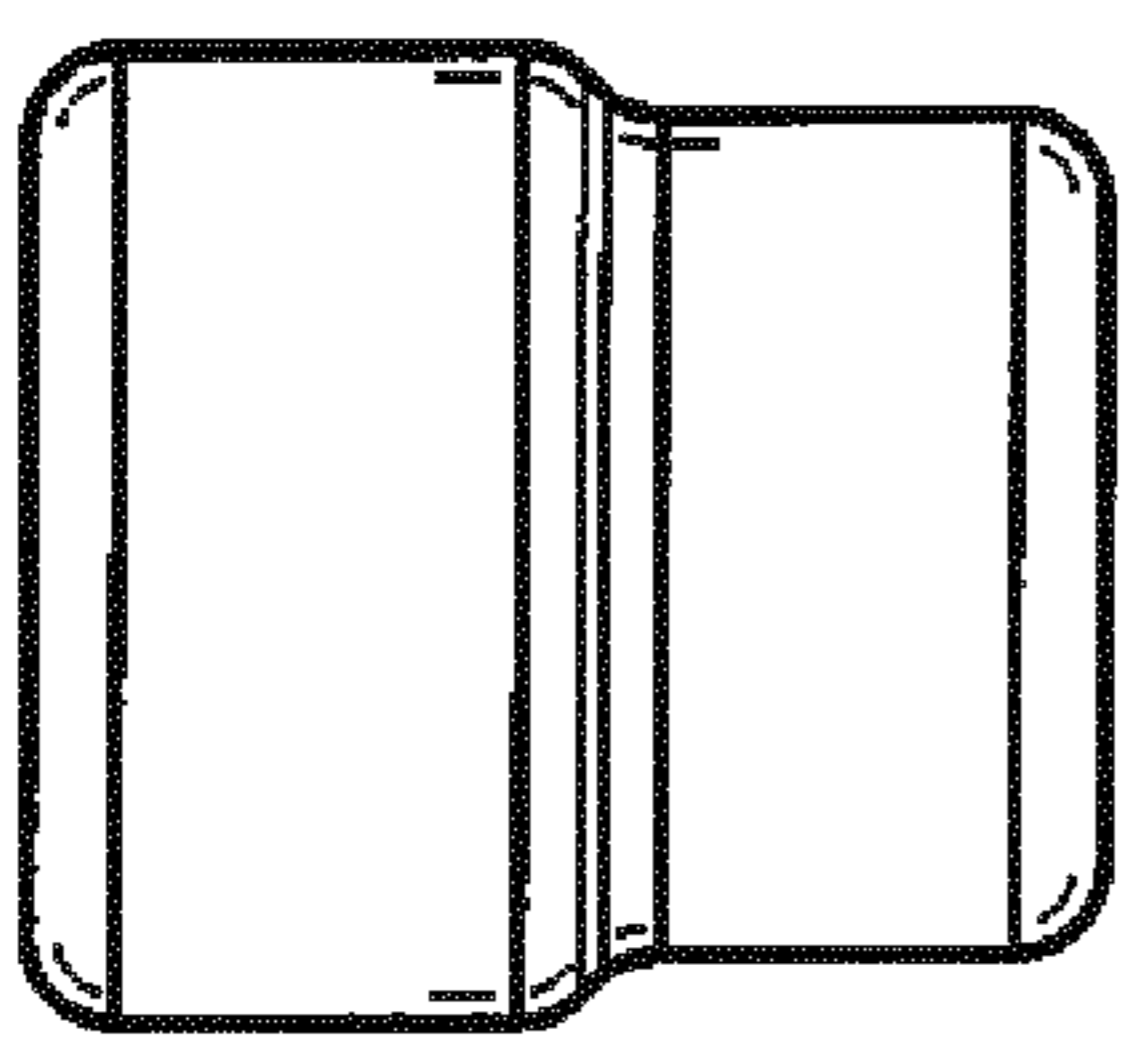


FIG. 1

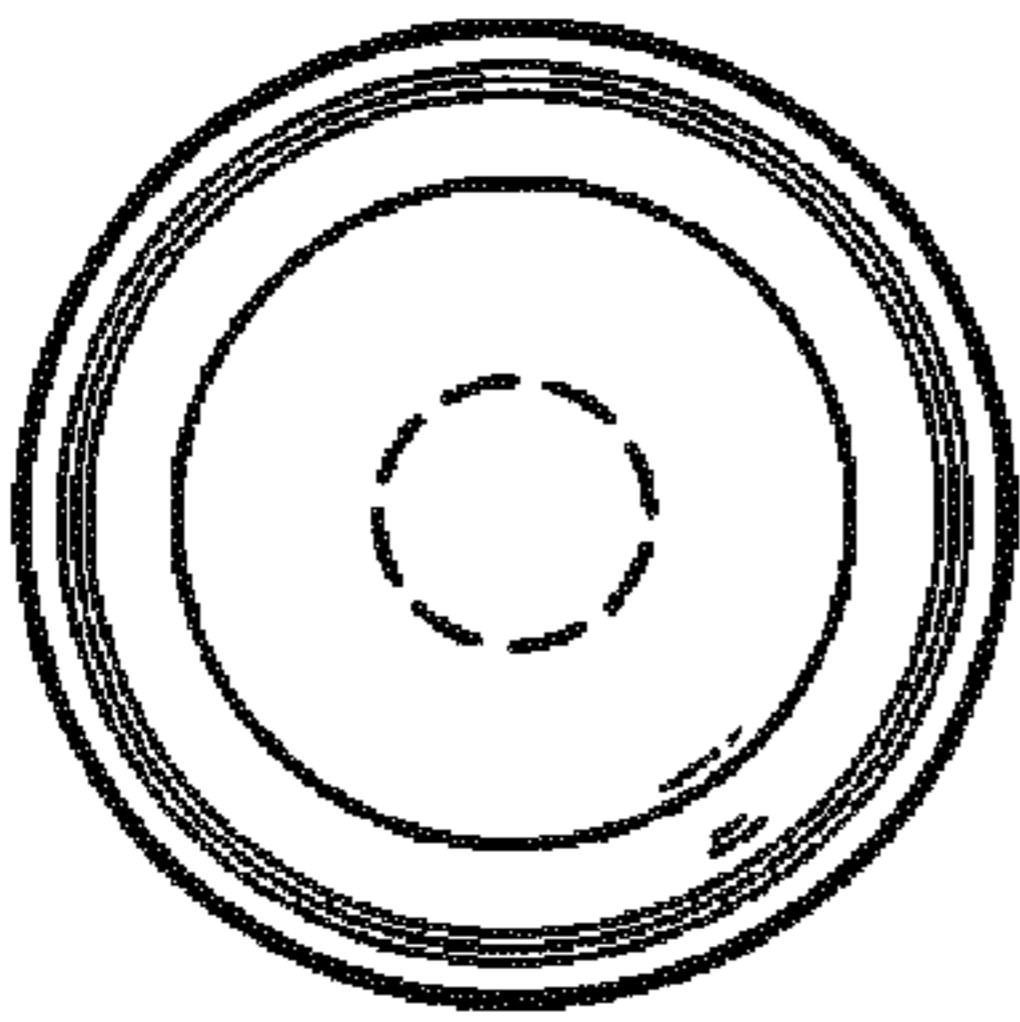


FIG. 2

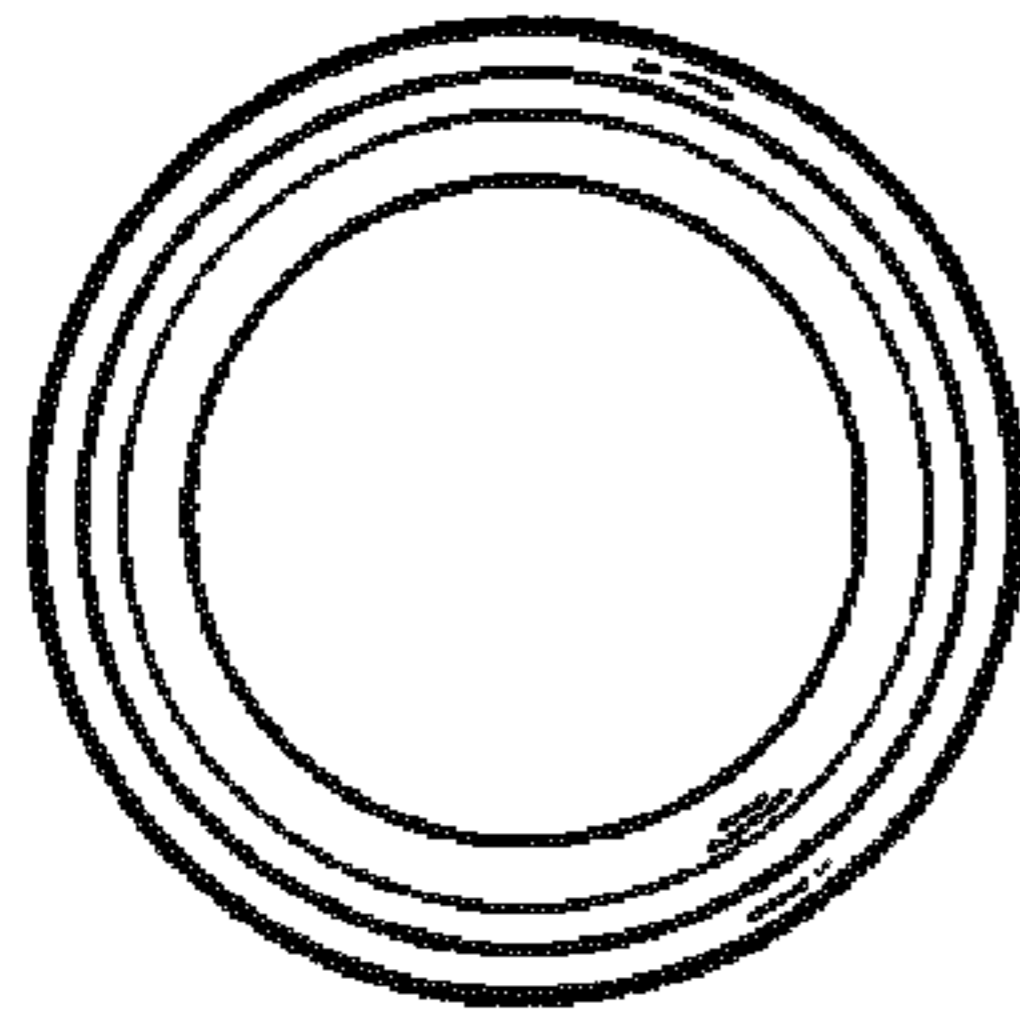


FIG. 3

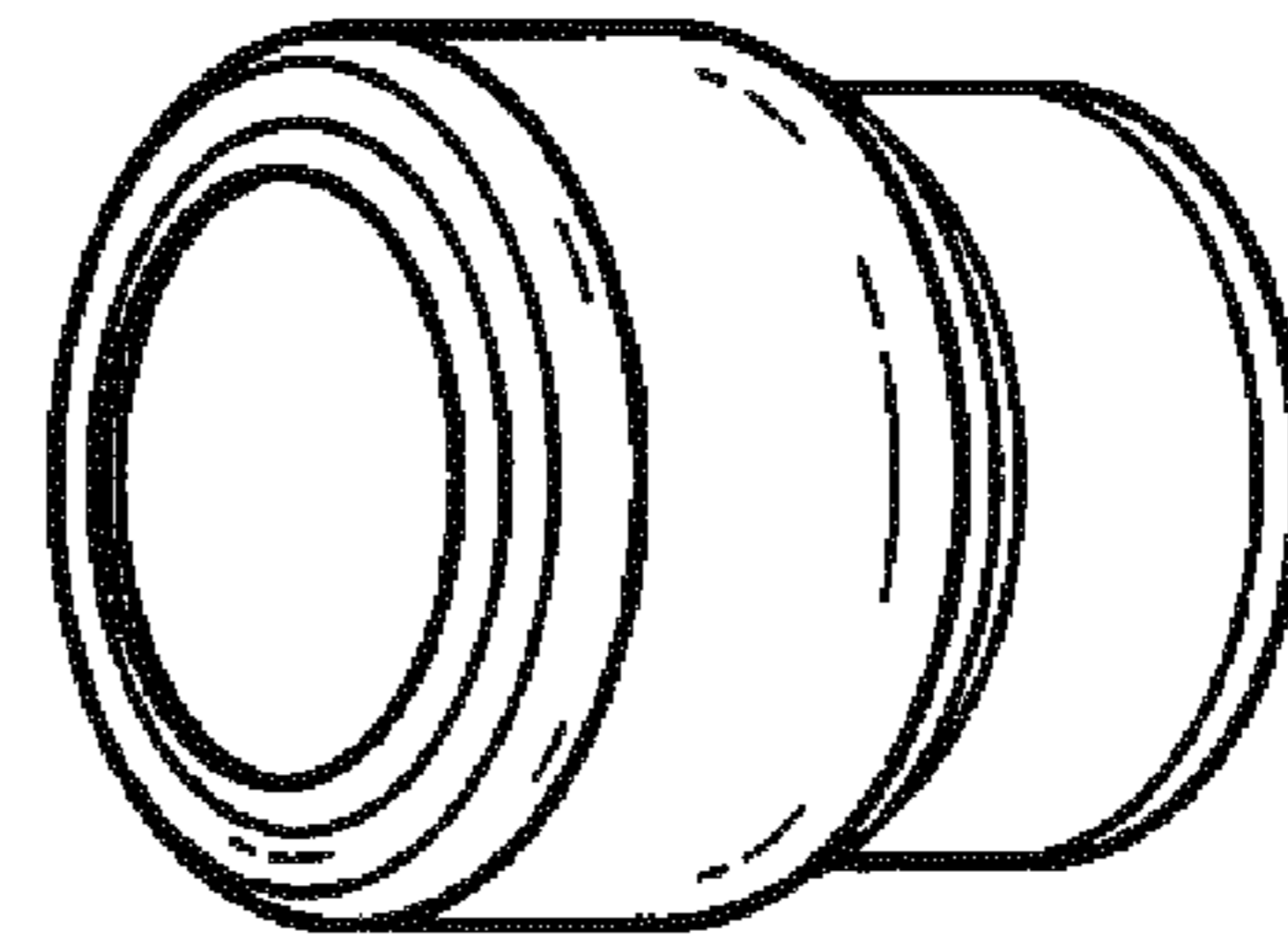


FIG. 4

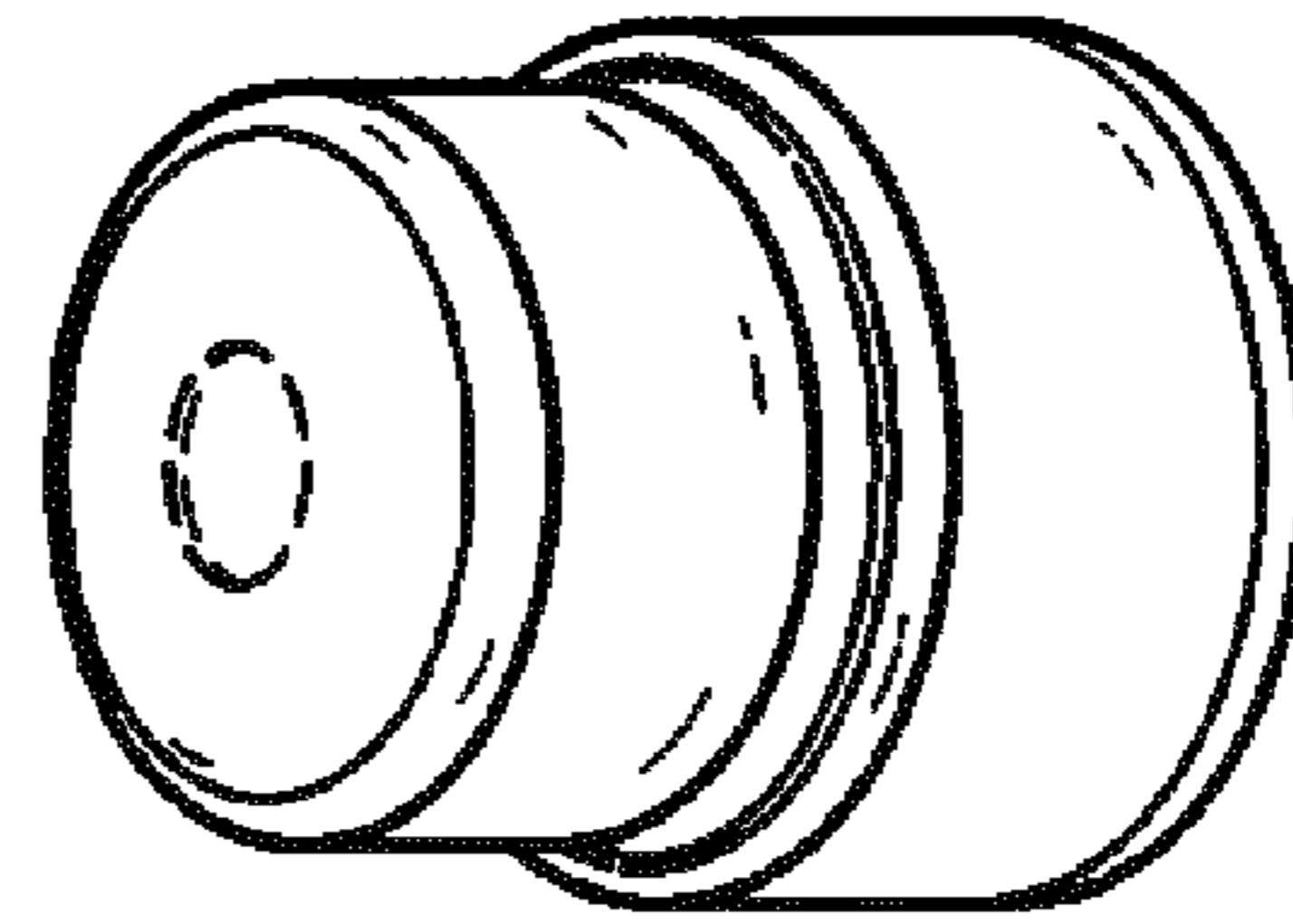


FIG. 5