



US00D628991S

(12) **United States Design Patent**  
**Chung**

(10) **Patent No.:** **US D628,991 S**

(45) **Date of Patent:** **\*\* Dec. 14, 2010**

(54) **CLIP FOR STACKING SPEAKERS**

(75) Inventor: **Yeon-Moo Chung**, Seoul (KR)

(73) Assignee: **Samsung Electronics Co., Ltd.**,  
Maetan-dong, Yeongtong-gu, Suwon-si,  
Gyeonggi-do (KR)

(\*\*) Term: **14 Years**

(21) Appl. No.: **29/357,347**

(22) Filed: **Mar. 11, 2010**

(51) **LOC (9) Cl.** ..... **14-01**

(52) **U.S. Cl.** ..... **D14/224**

(58) **Field of Classification Search** ..... D14/224,  
D14/172, 214, 215, 217, 434, 299, 251, 253,  
D14/432, 496, 203.8; D13/107, 108; D16/235;  
D8/373, 395, 354; D19/34.1; D6/512; 248/200,  
248/205.1, 300

See application file for complete search history.

(56) **References Cited**

**U.S. PATENT DOCUMENTS**

1,626,539	A *	4/1927	Jones	.....	248/297.11
2,595,562	A *	5/1952	Becker	.....	248/205.1
D218,016	S *	7/1970	Hogrebe	.....	D8/363
3,986,693	A *	10/1976	Johnson	.....	248/205.1
D266,238	S *	9/1982	Miller	.....	D12/162
D281,317	S *	11/1985	Whitaker	.....	D14/224
5,431,363	A *	7/1995	Ezzat et al.	.....	248/205.1
D375,448	S *	11/1996	Small et al.	.....	D8/346
D394,660	S *	5/1998	Hrach et al.	.....	D14/224
D434,028	S *	11/2000	DeFazio	.....	D14/224

D451,495	S *	12/2001	McGurty	.....	D14/214
D517,478	S *	3/2006	Bayat et al.	.....	D13/108
D525,616	S *	7/2006	Andre et al.	.....	D14/224.1
D540,816	S *	4/2007	Kim	.....	D14/496
D567,800	S *	4/2008	Andre et al.	.....	D14/217
D575,289	S *	8/2008	Kuo et al.	.....	D14/434
D578,475	S *	10/2008	Beedham	.....	D13/108

\* cited by examiner

*Primary Examiner*—Paula Greene

(74) *Attorney, Agent, or Firm*—Lexyoume IP Group, PLLC.

(57) **CLAIM**

The ornamental design for a clip for stacking speakers, as shown and described.

**DESCRIPTION**

FIG. 1 is a perspective view of a clip for stacking speakers showing my new design;

FIG. 2 is a front elevational view thereof;

FIG. 3 is a rear elevational view thereof;

FIG. 4 is a left side elevational view thereof;

FIG. 5 is a right side elevational view thereof;

FIG. 6 is a top plan view thereof;

FIG. 7 is a bottom plan view thereof; and,

FIG. 8 is a perspective view of the clip for stacking speakers showing my new design in a state in which the clip is applied to speakers.

The broken lines in FIG. 8 are for illustrative purpose only and form no part of the claimed design.

**1 Claim, 8 Drawing Sheets**

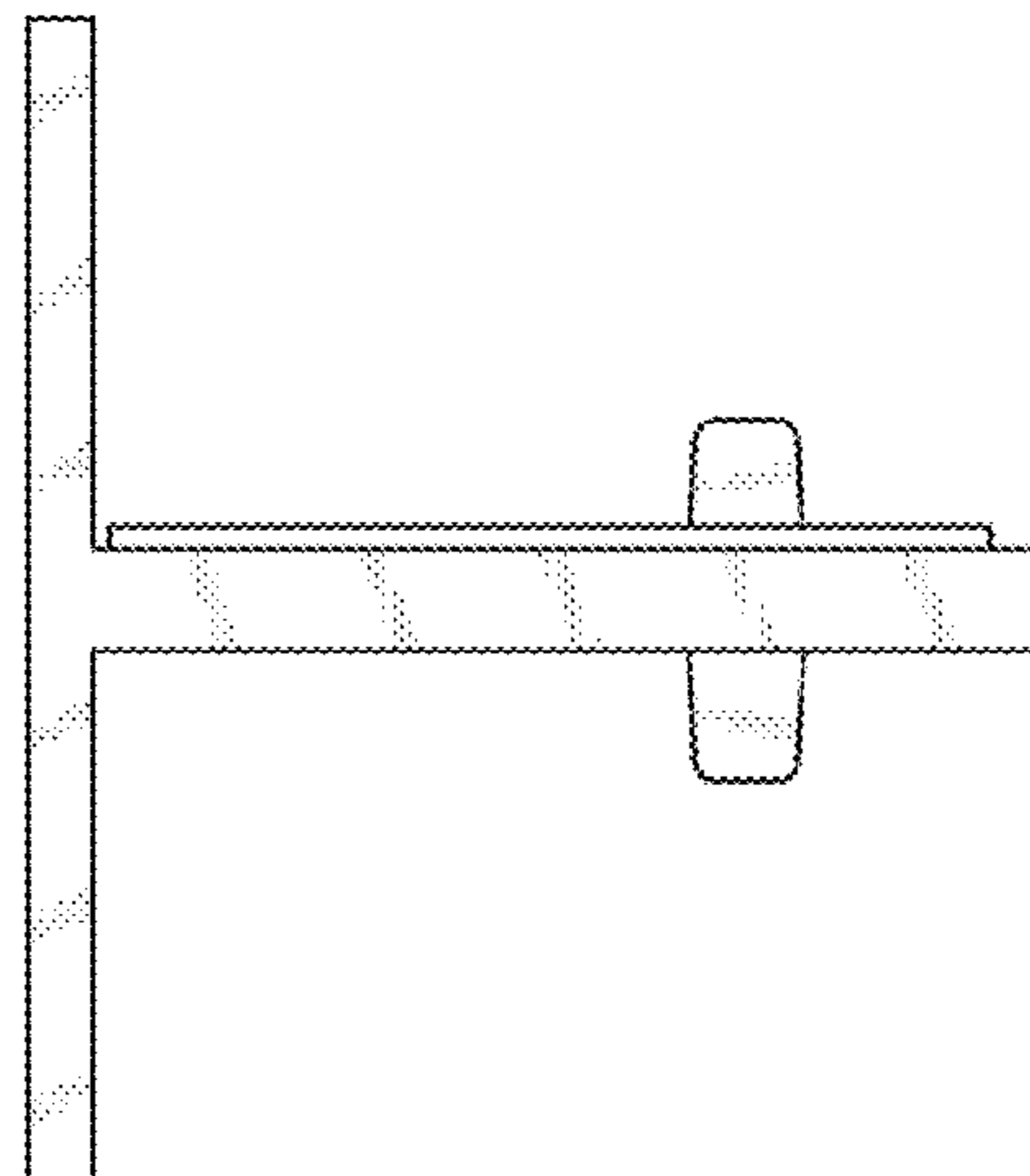
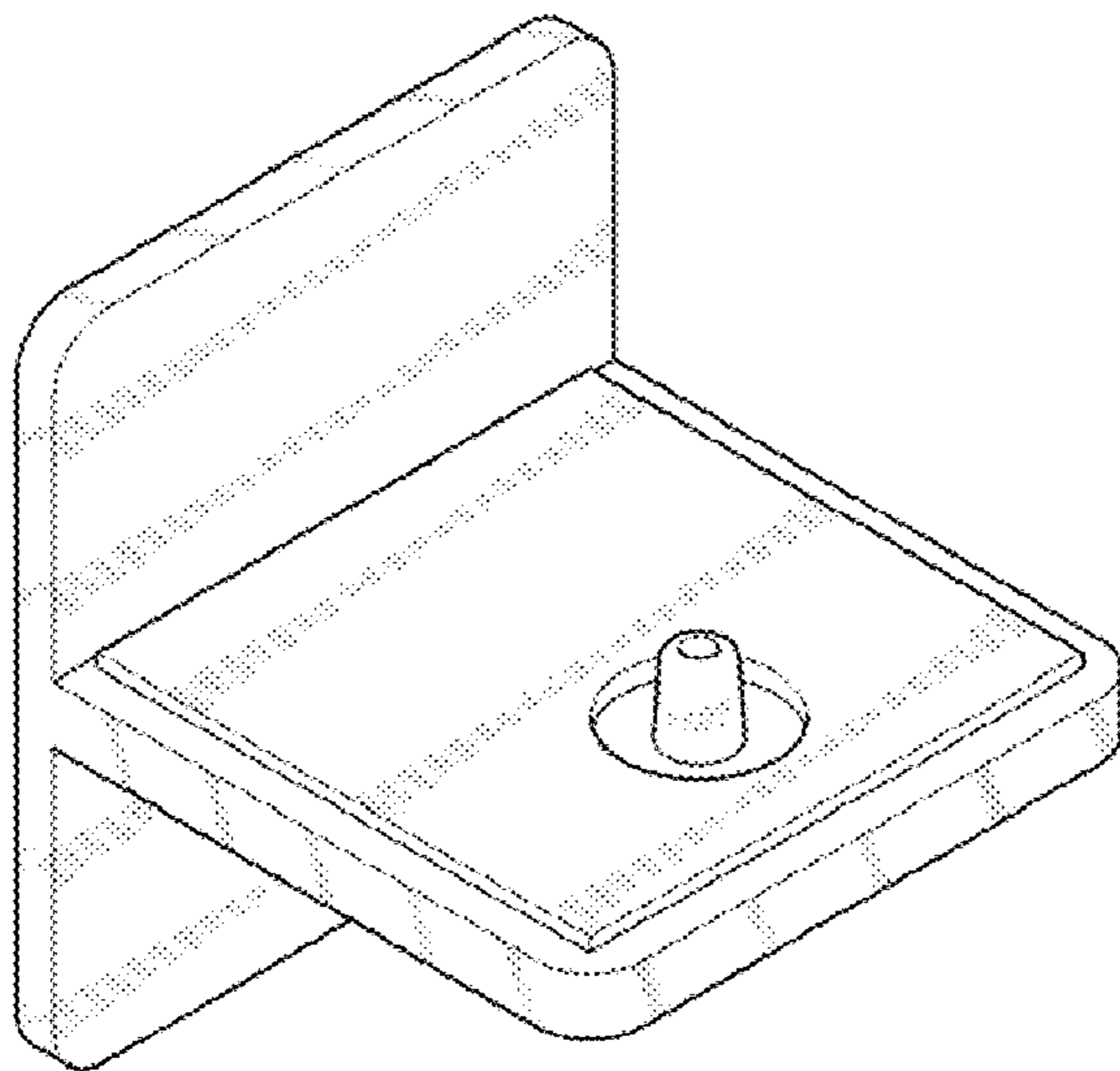


FIG. 1

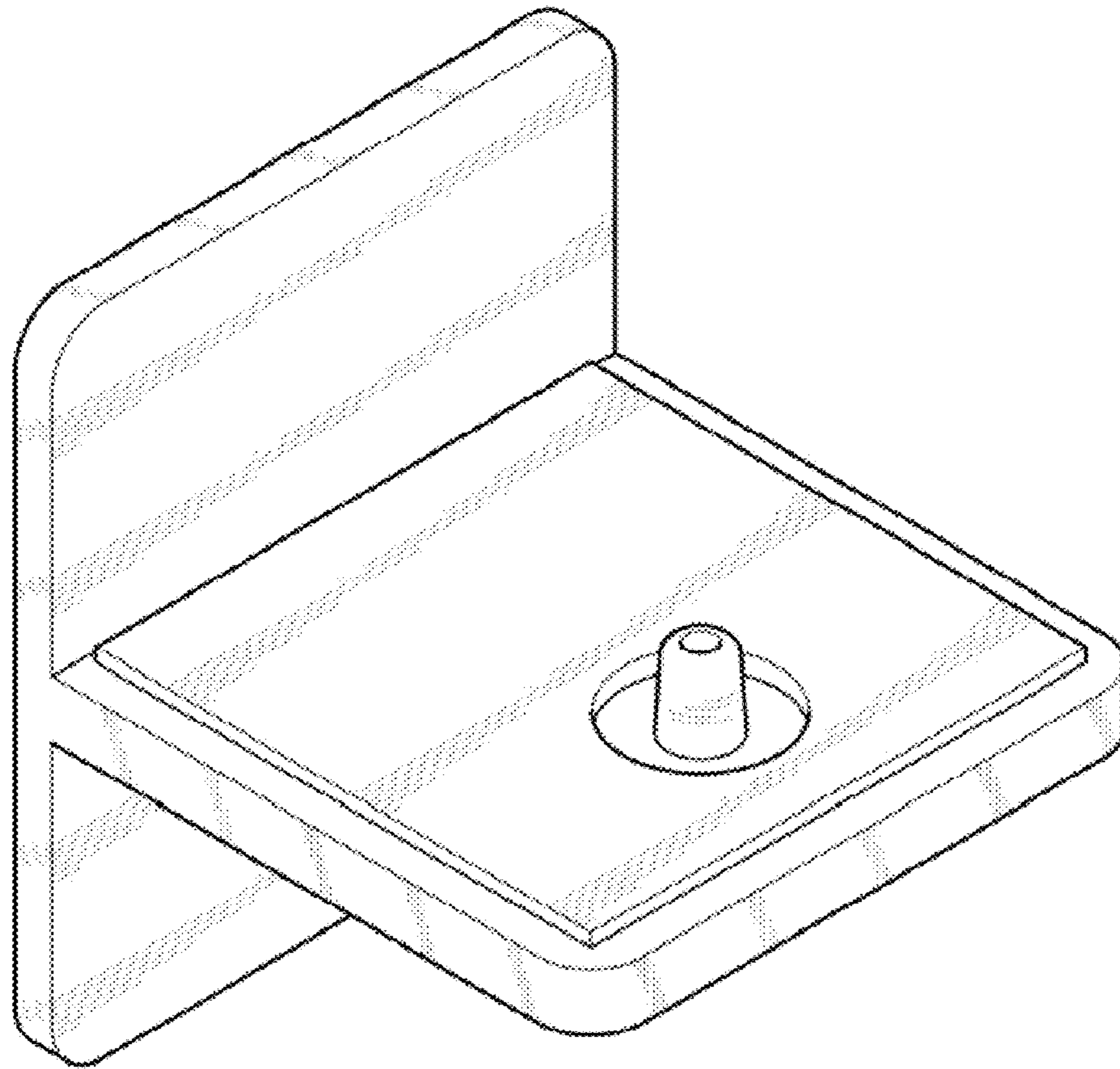


FIG. 2

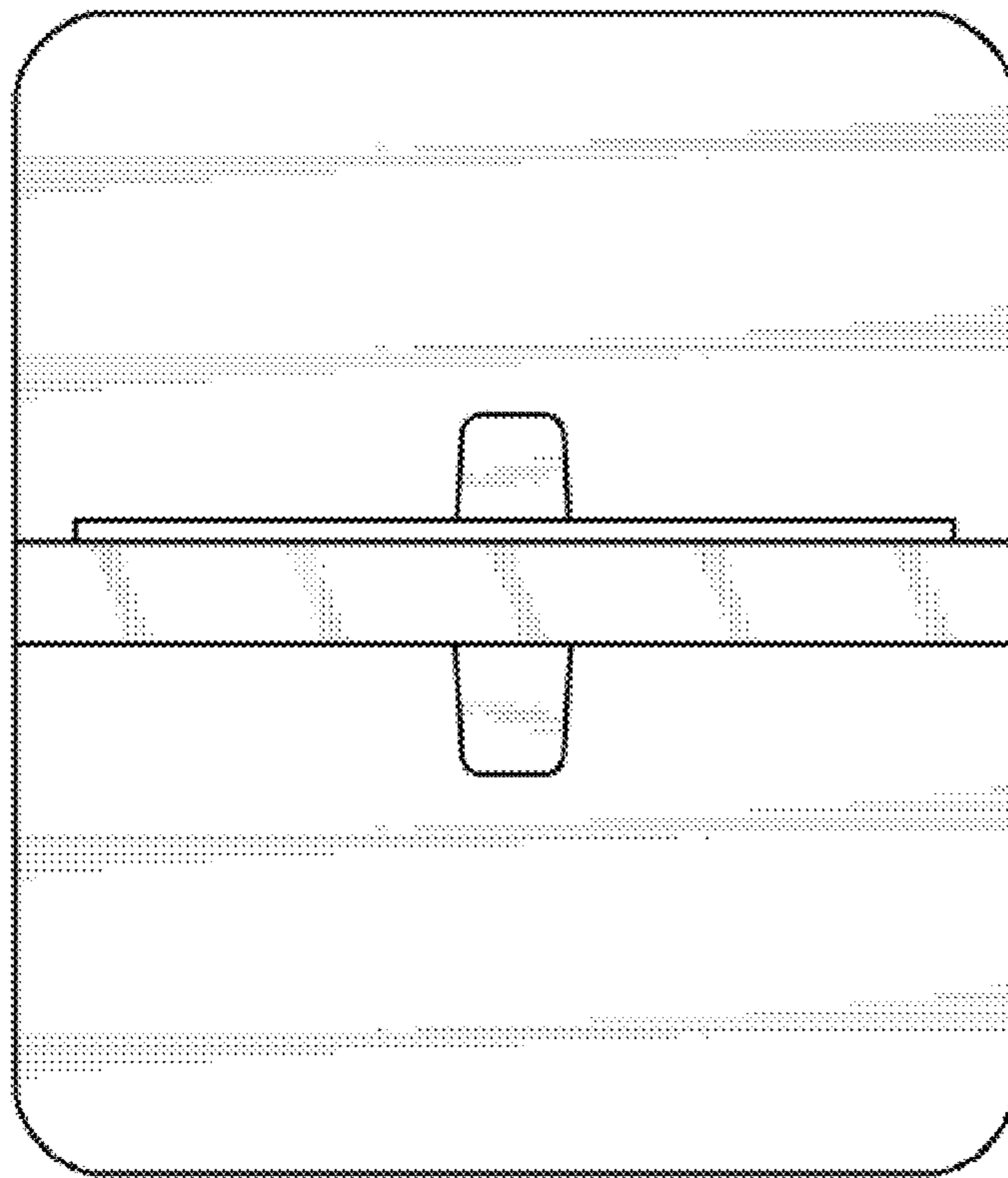


FIG. 3

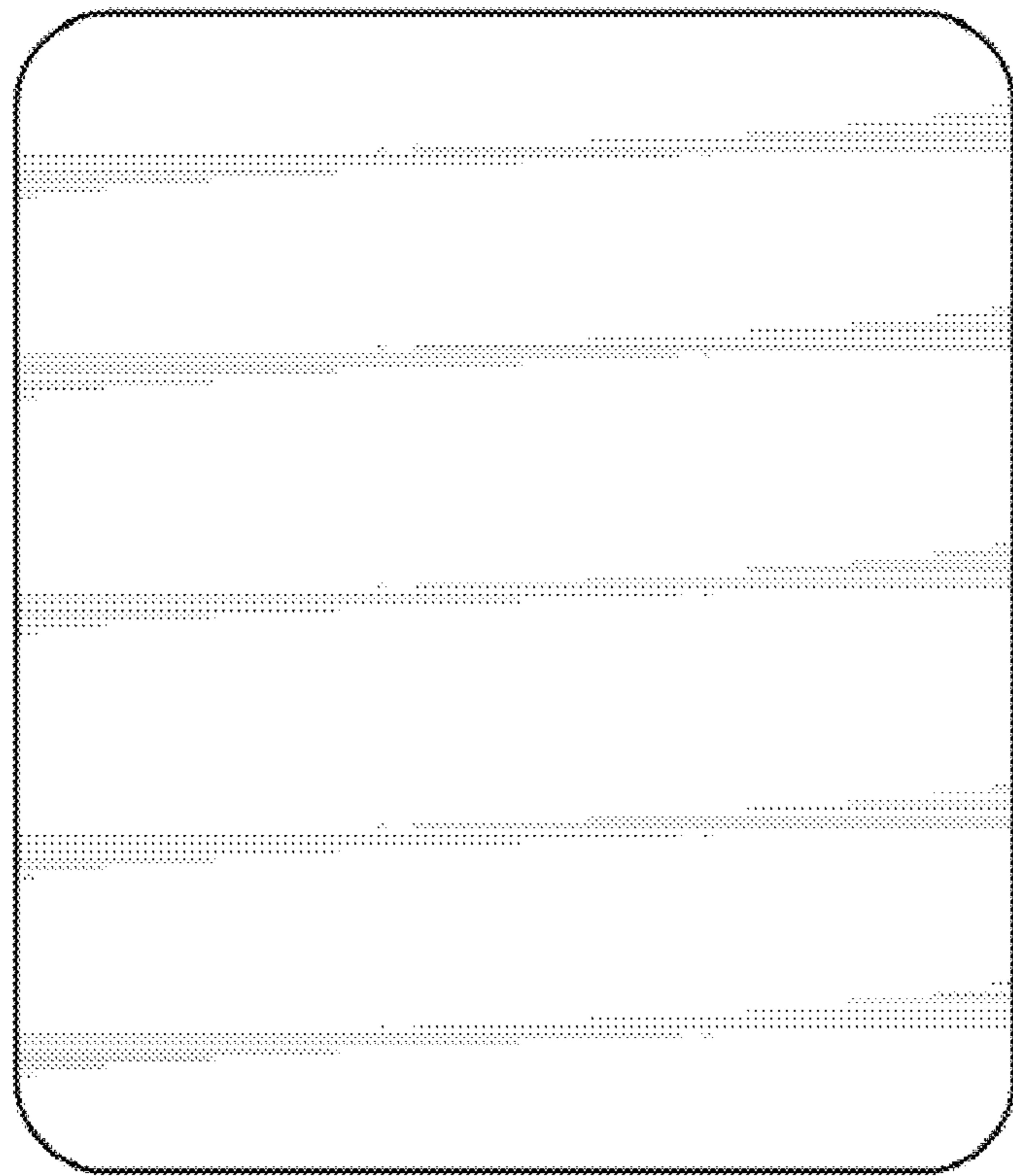


FIG. 4

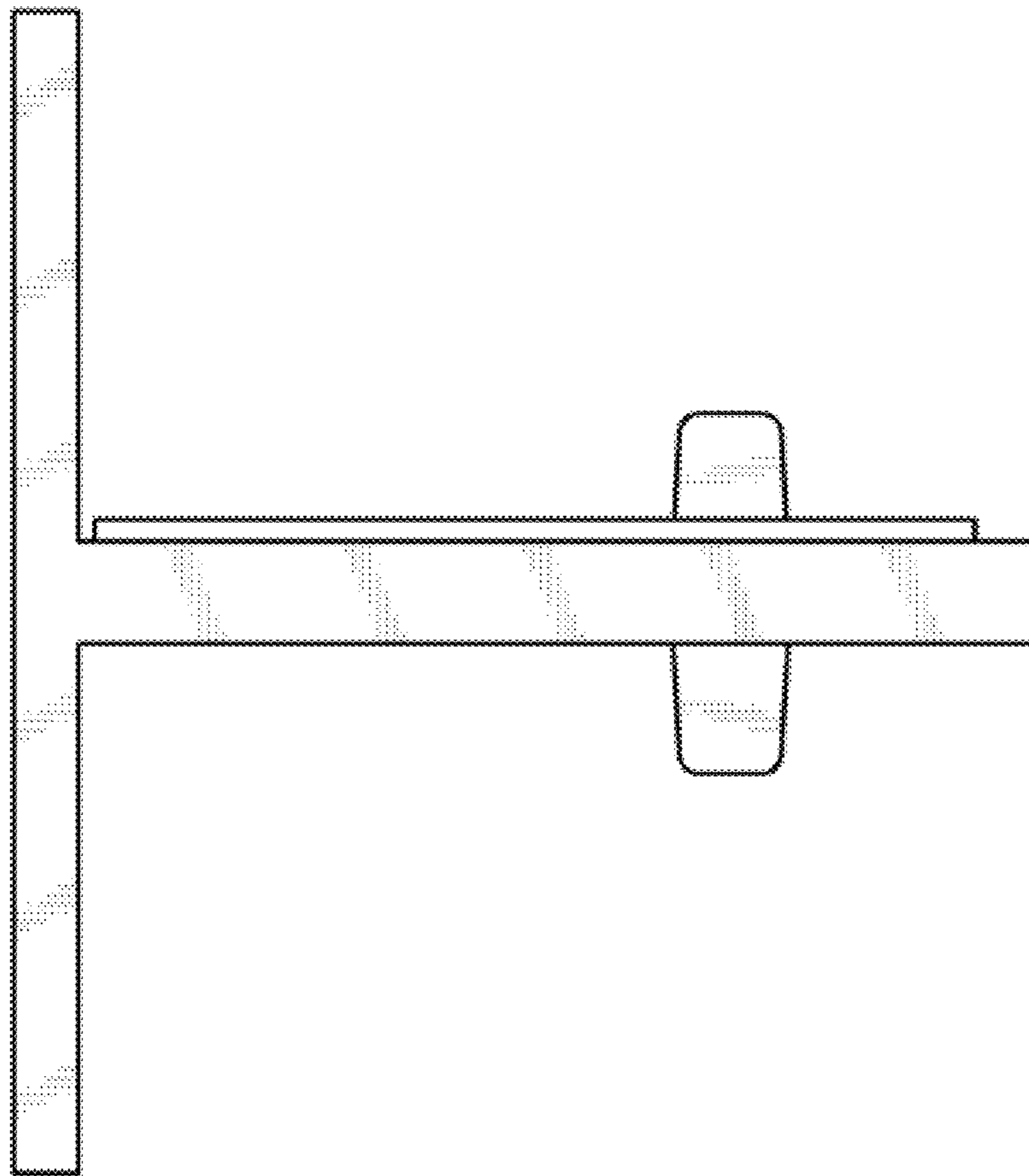


FIG. 5

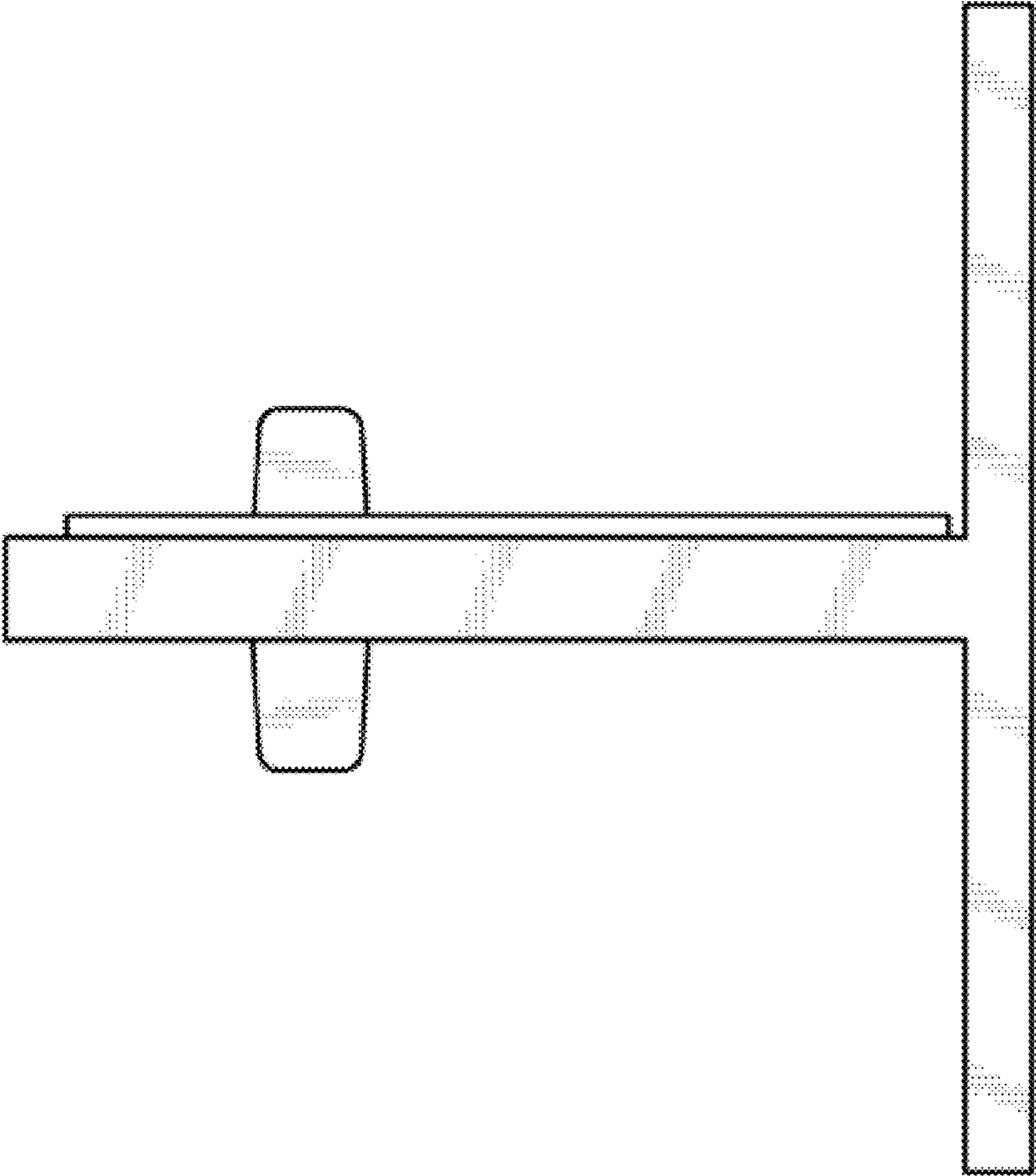


FIG. 6

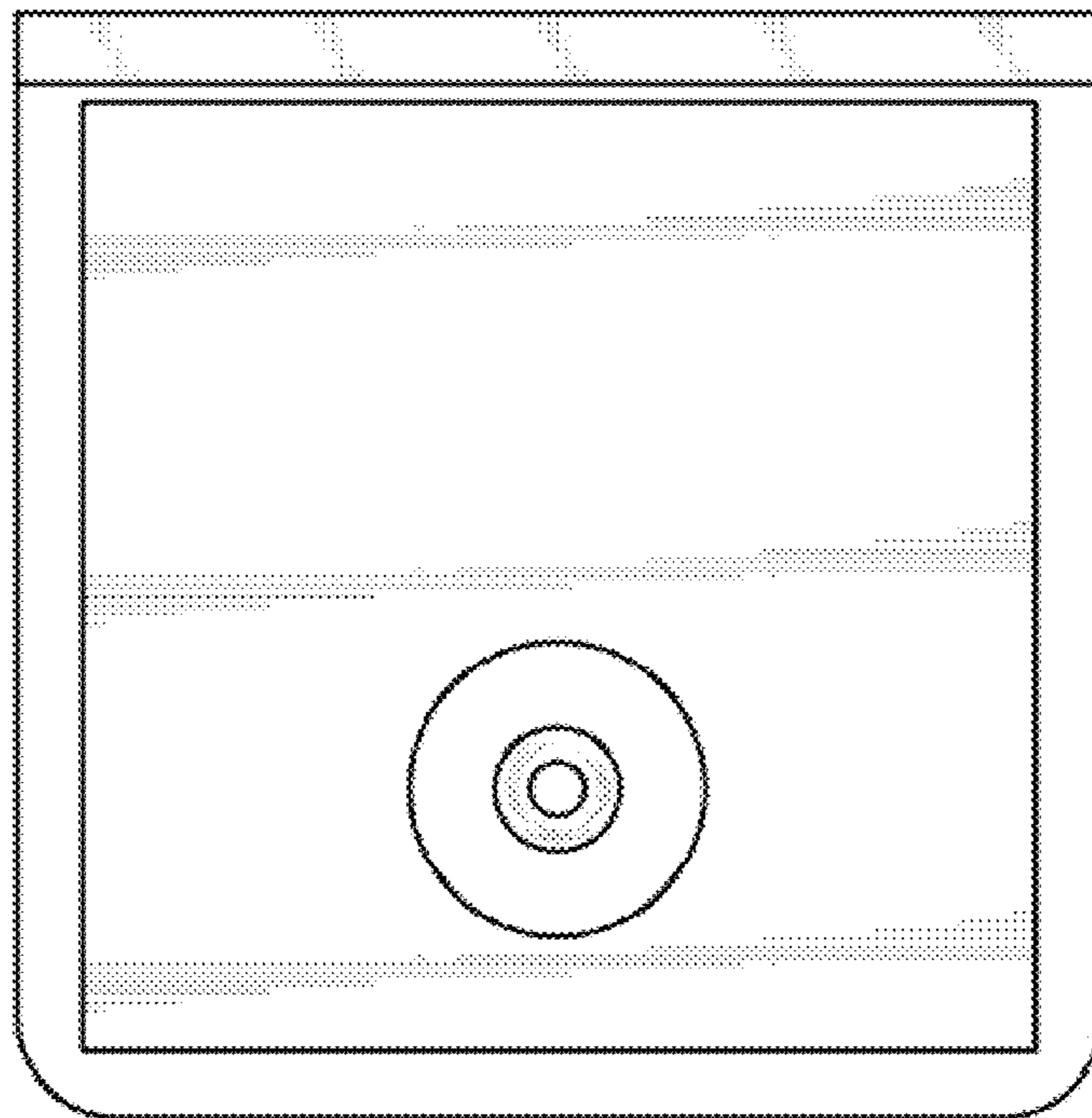


FIG. 7

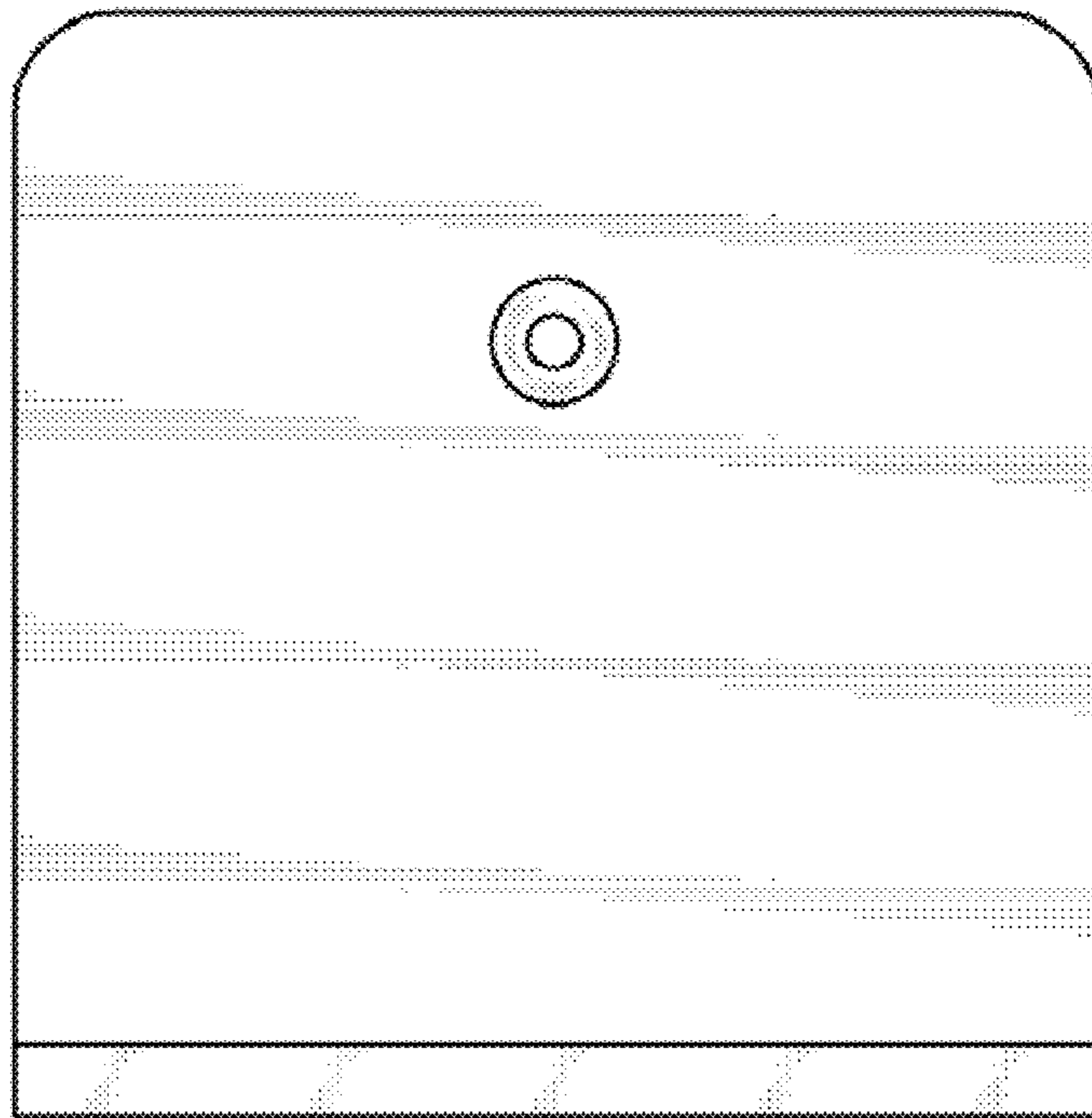




FIG. 8

