



US00D628990S

(12) **United States Design Patent**
Pedersen

(10) **Patent No.:** **US D628,990 S**

(45) **Date of Patent:** **** Dec. 14, 2010**

(54) **IN EAR EARSET**

(75) Inventor: **Vidar Pedersen**, Fredrikstad (NO)

(73) Assignee: **Freebit AS**, Oslo (NO)

(**) Term: **14 Years**

(21) Appl. No.: **29/353,716**

(22) Filed: **Jan. 13, 2010**

(51) **LOC (9) Cl.** **14-01**

(52) **U.S. Cl.** **D14/223**

(58) **Field of Classification Search** D14/205,
D14/206, 223, 253, 242; D24/174; 128/865,
128/866, 867; 181/129, 130, 135; 379/430,
379/433, 434; 381/380, 381; 455/575.1,
455/575.2, 90.3

See application file for complete search history.

(56) **References Cited**

U.S. PATENT DOCUMENTS

2,481,387	A *	9/1949	Bonecutter	379/446
2,584,402	A *	2/1952	Volkman	181/129
2,606,255	A *	8/1952	Tullis	379/446
D237,090	S *	10/1975	Yanagawa	D14/205
4,864,611	A *	9/1989	Helmuth	379/444
D419,564	S *	1/2000	McDonald et al.	D14/223
6,690,807	B1 *	2/2004	Meyer	381/327
D494,568	S *	8/2004	Pan	D14/223

6,772,853	B2 *	8/2004	Yang	181/129
6,914,997	B2 *	7/2005	MacDonald et al.	381/381
D508,479	S *	8/2005	Okada	D14/206
D543,972	S *	6/2007	Taylor	D14/223
D566,104	S *	4/2008	Suzuki	D14/223
D575,278	S *	8/2008	Guccione et al.	D14/223
D584,293	S *	1/2009	Kim et al.	D14/223
D585,429	S *	1/2009	Dean	D14/223

* cited by examiner

Primary Examiner—Paula Greene

(74) *Attorney, Agent, or Firm*—Senniger Powers LLP

(57) **CLAIM**

The ornamental design for an in ear earset, as shown and described.

DESCRIPTION

FIG. 1 is a perspective of an in ear earset of the present invention;

FIG. 2 is a front elevation of the earset;

FIG. 3 is a right elevation of the earset;

FIG. 4 is a bottom plan of the earset;

FIG. 5 is a rear elevation of the earset;

FIG. 6 is a left elevation of the earset; and,

FIG. 7 is a top plan of the earset.

1 Claim, 7 Drawing Sheets

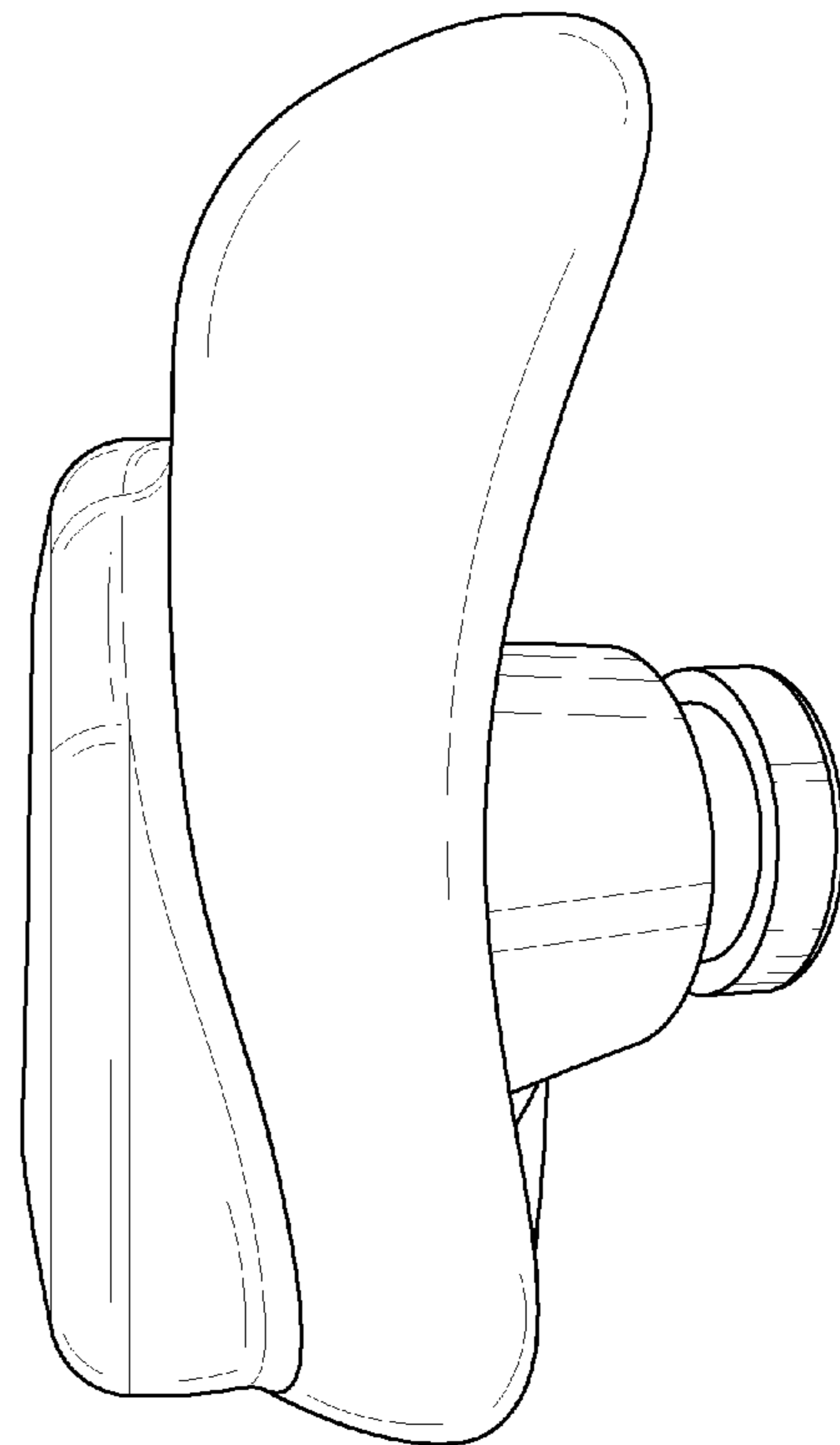
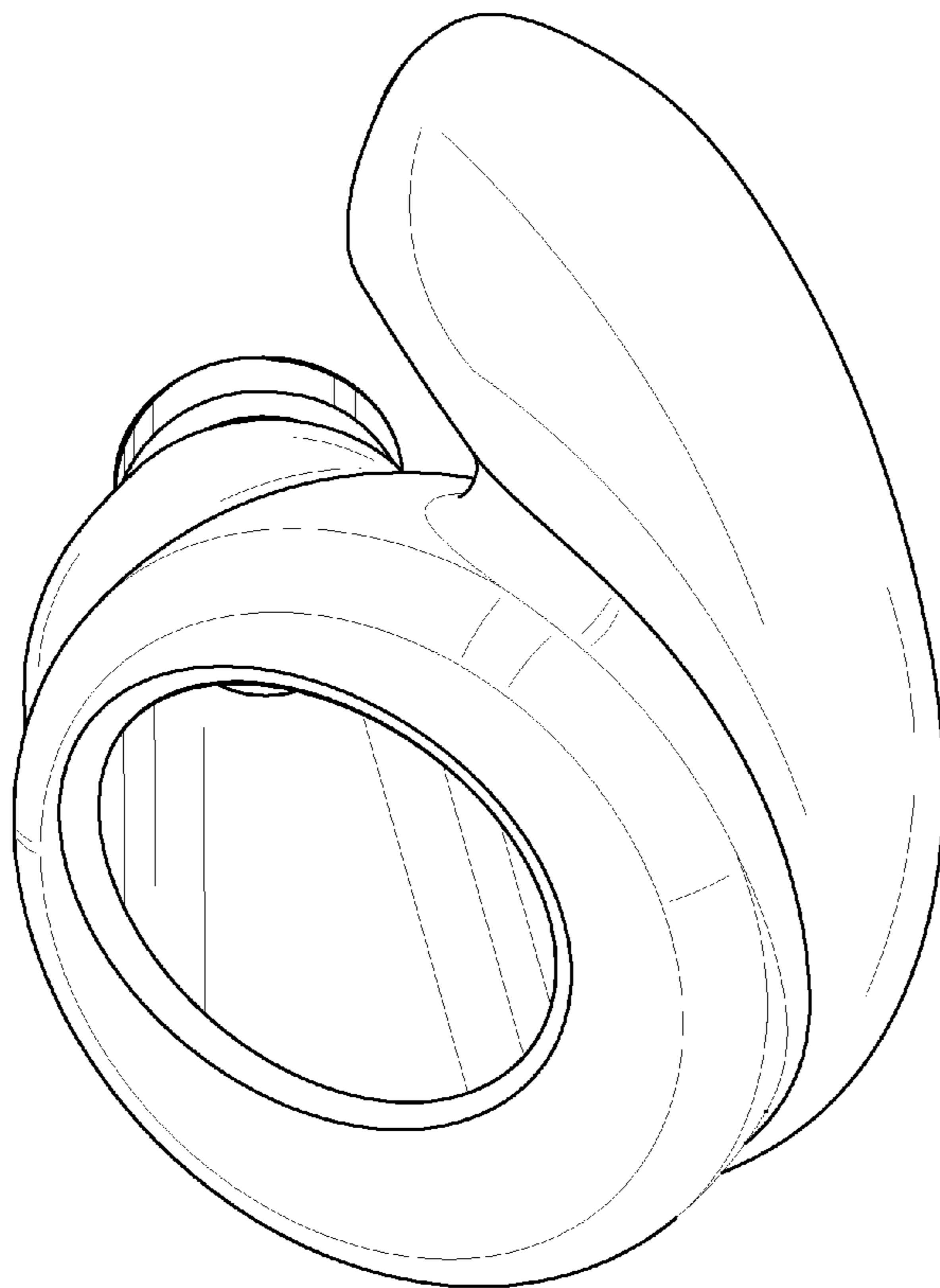


FIG. 1

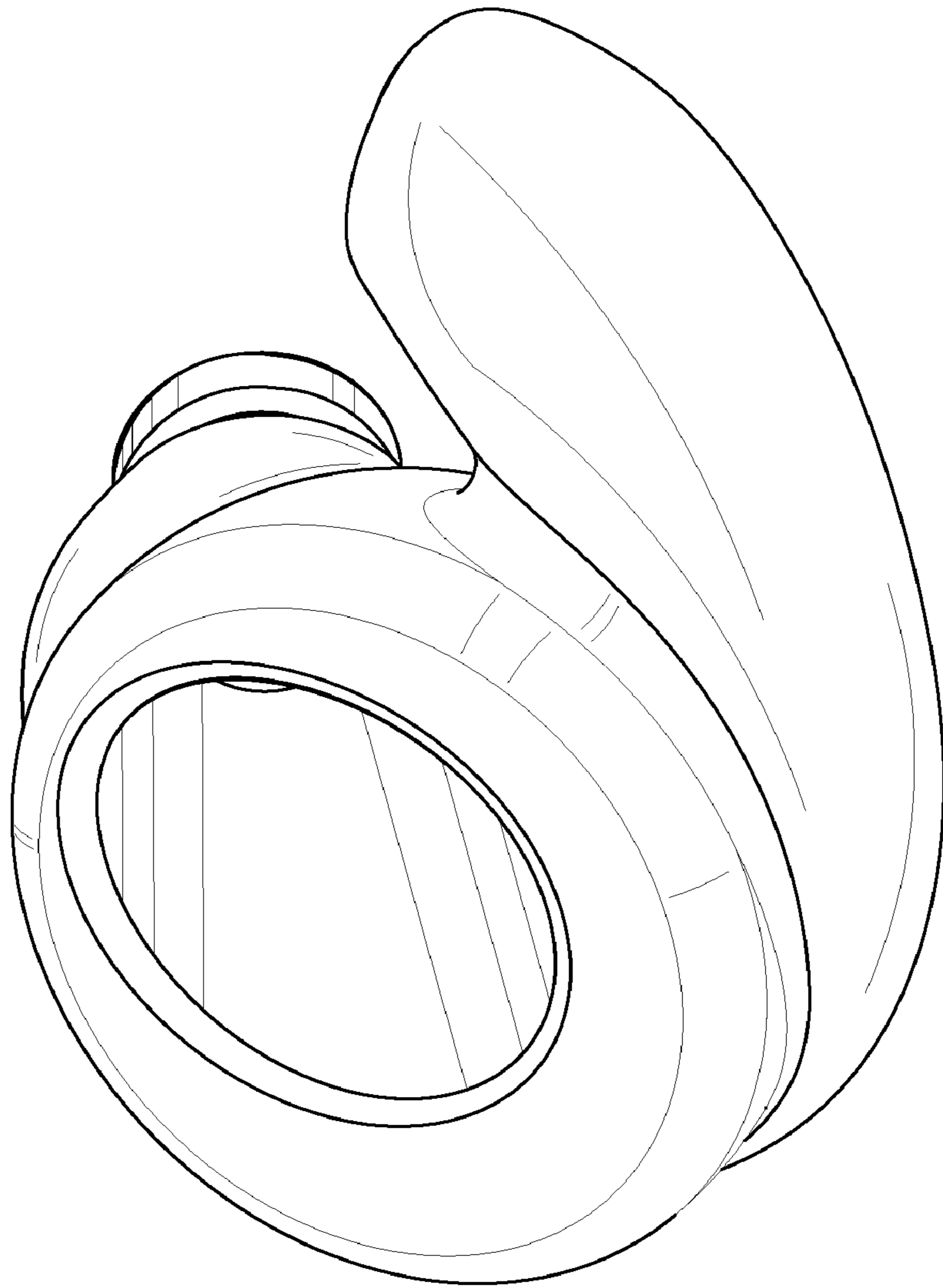


FIG. 2

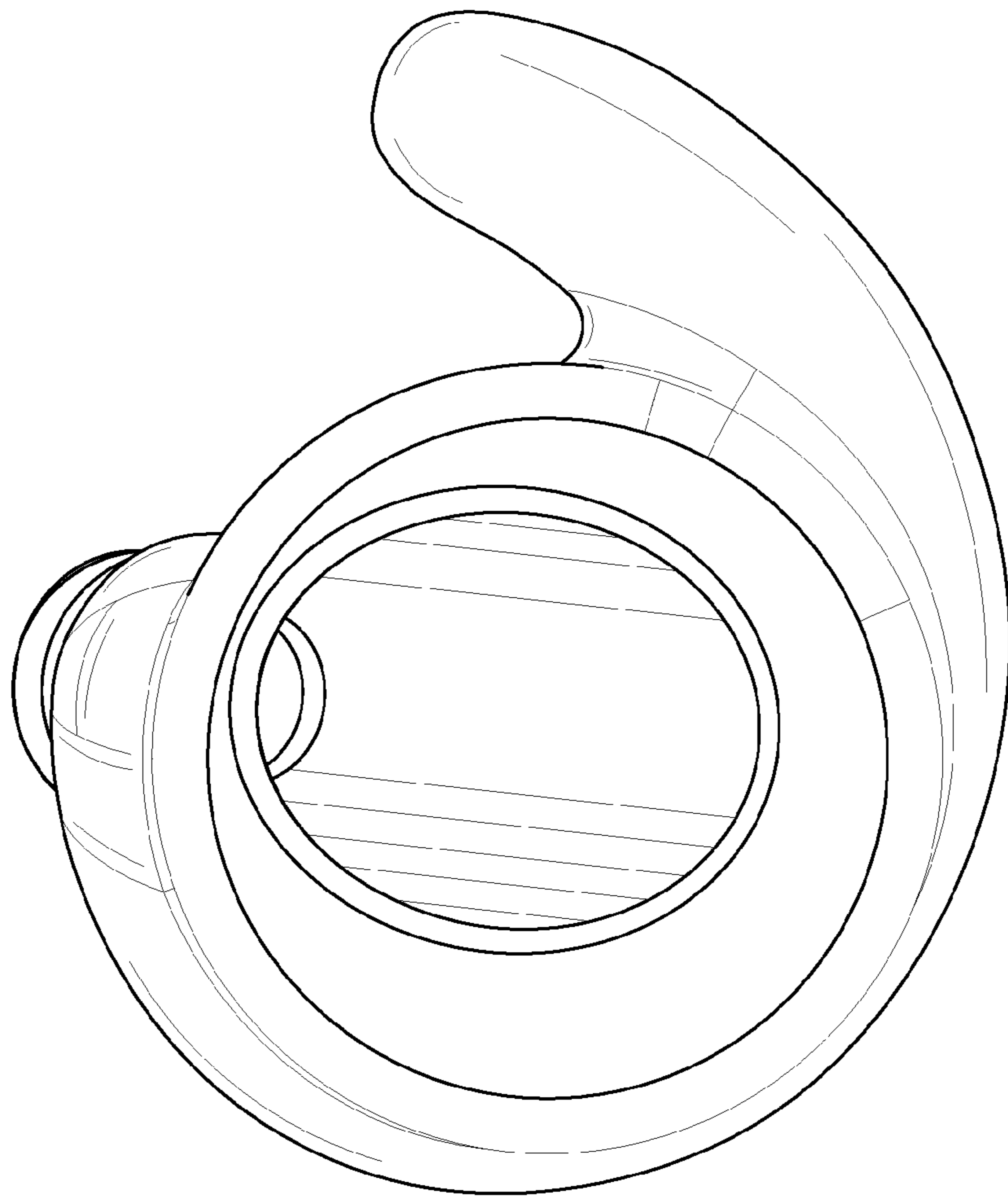


FIG. 3

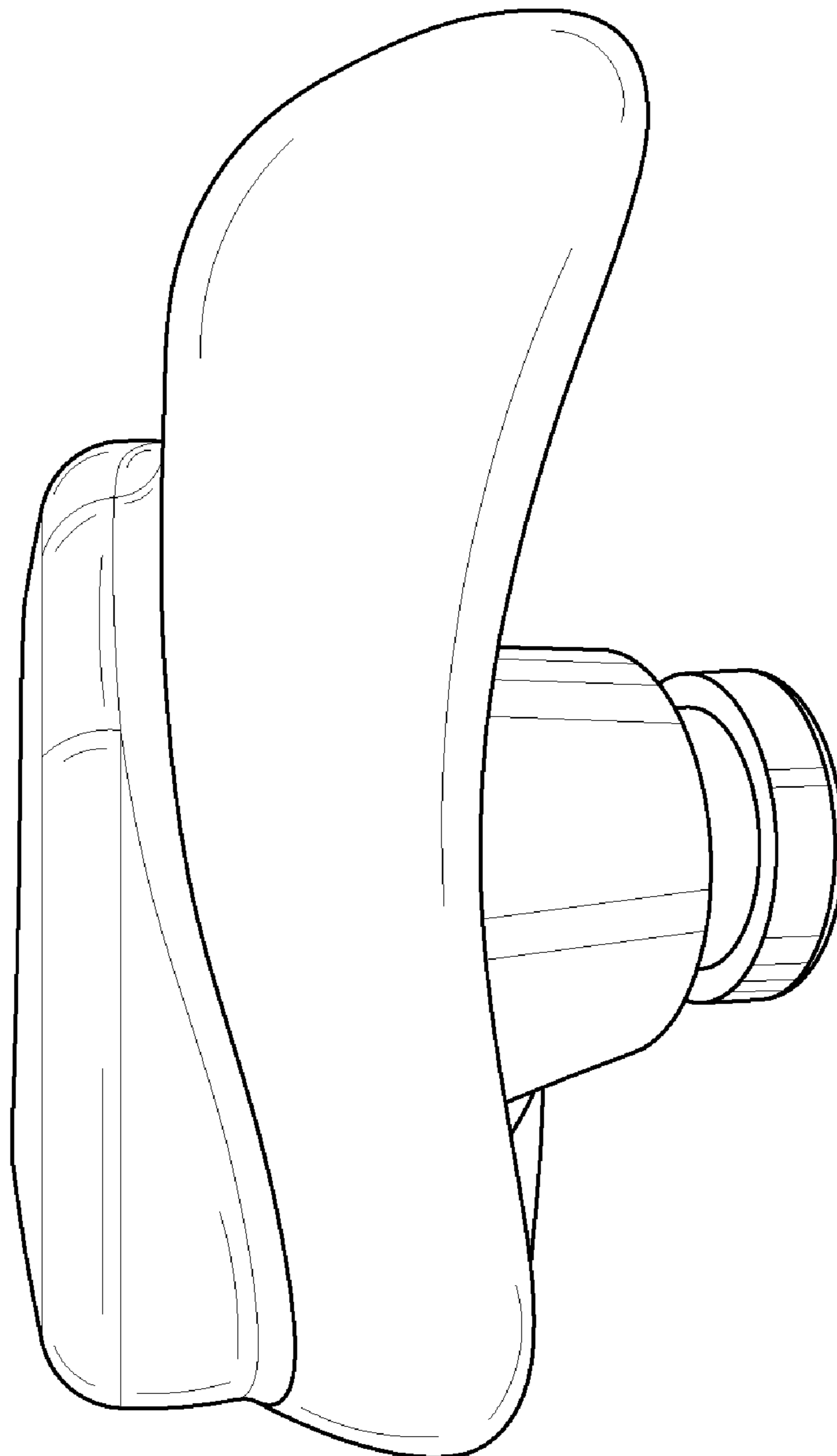


FIG. 4

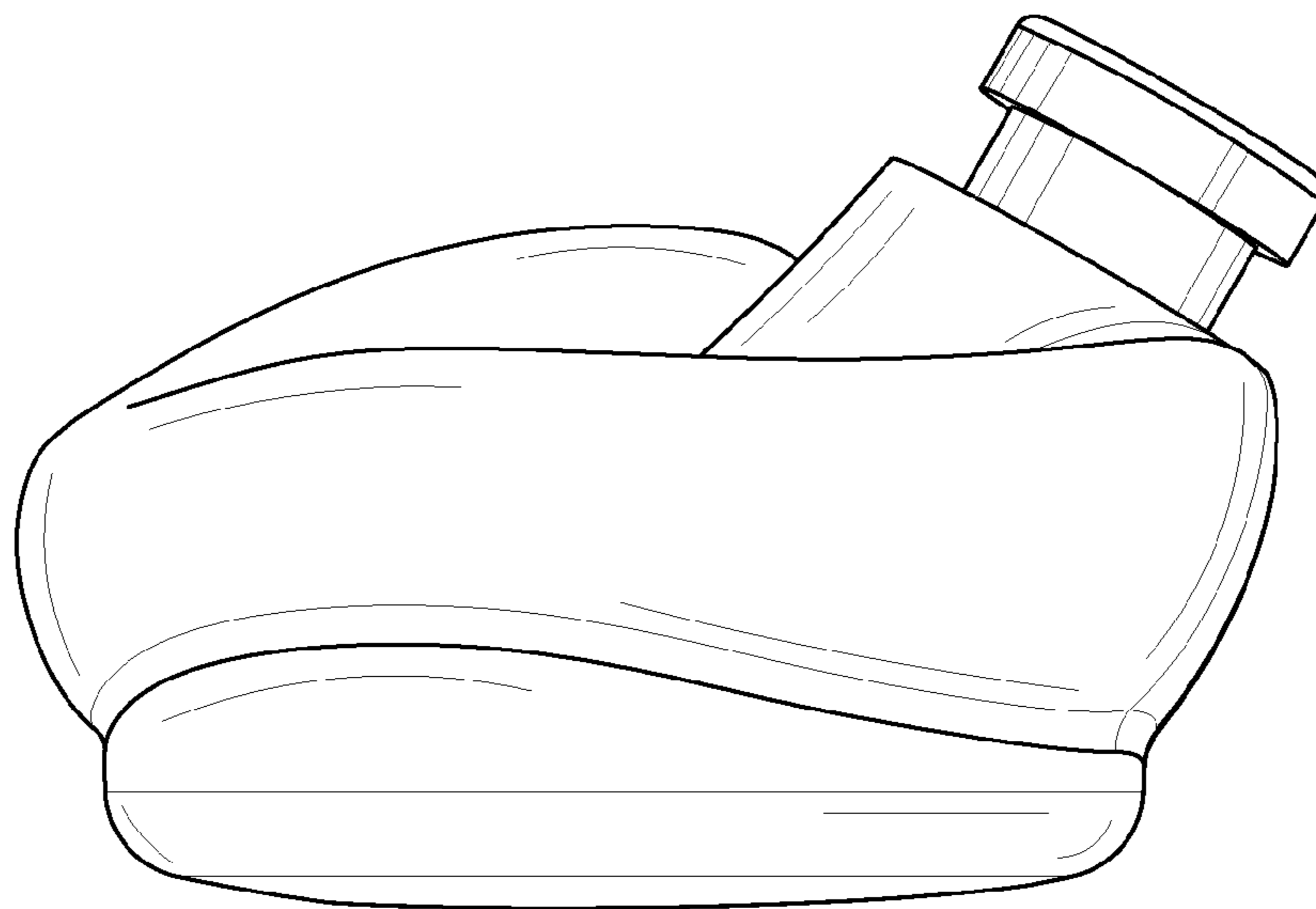


FIG. 5

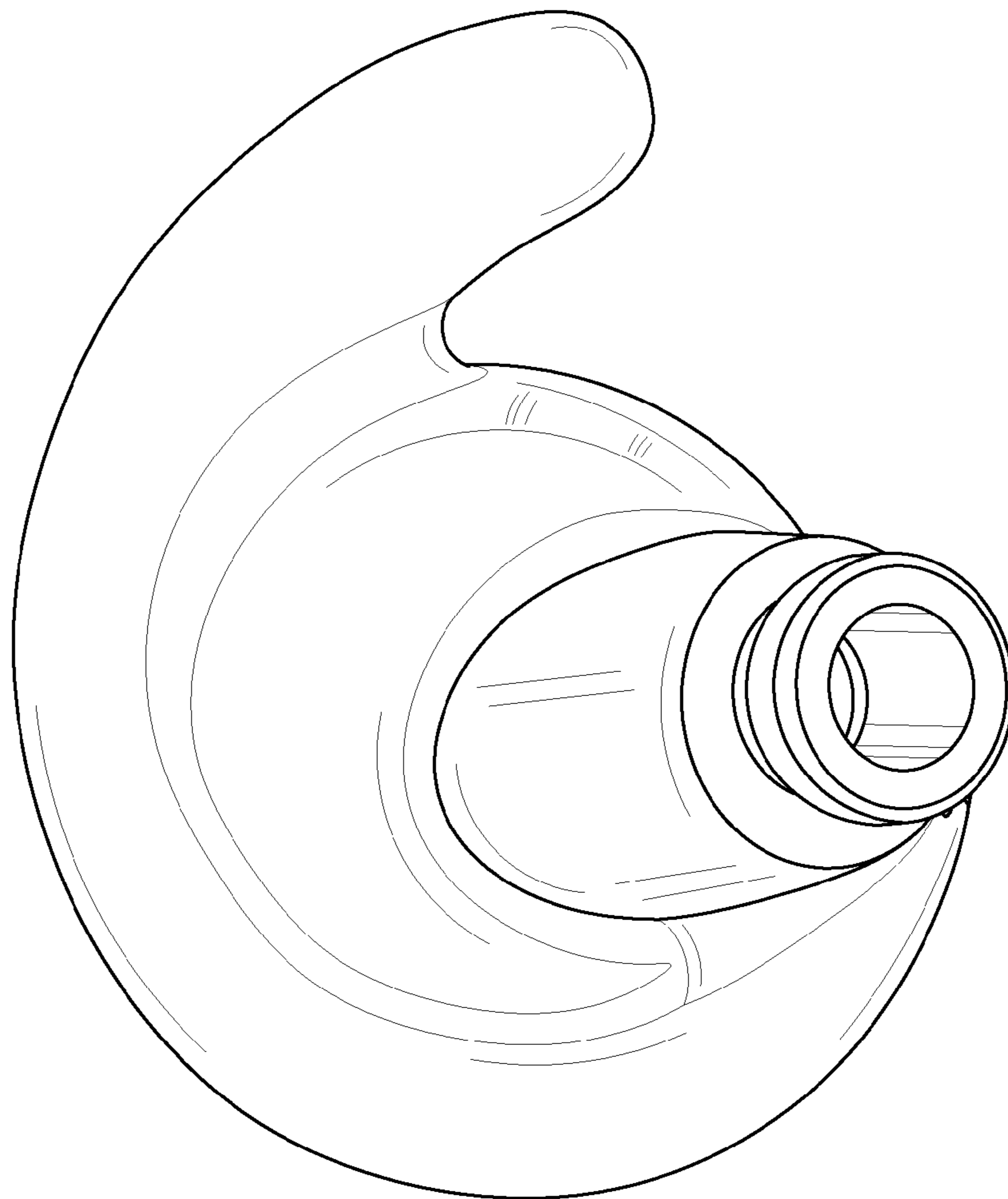


FIG. 6

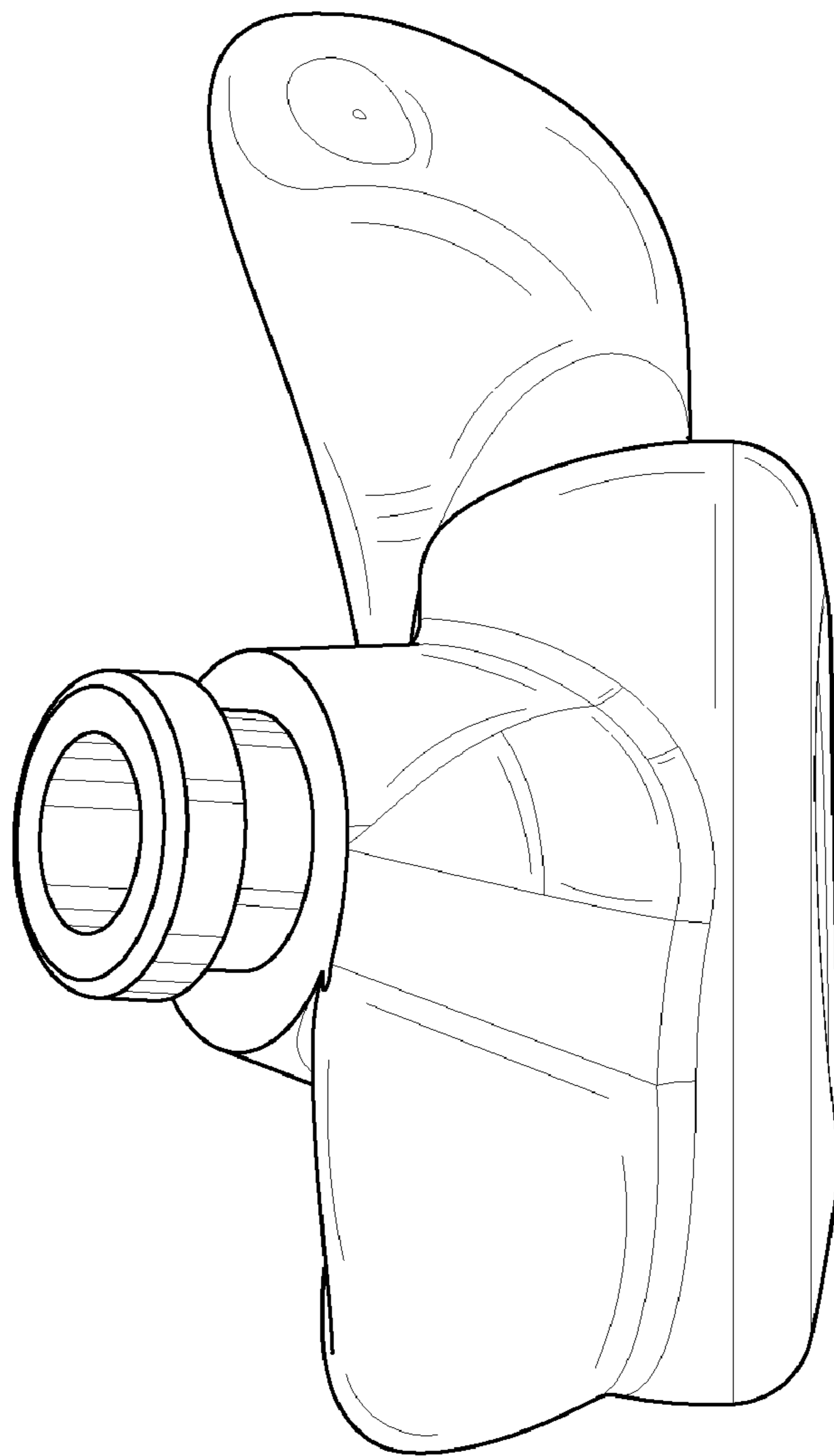


FIG. 7

