



US00D628989S

(12) **United States Design Patent**  
**Lee et al.**

(10) **Patent No.:** **US D628,989 S**

(45) **Date of Patent:** **\*\* Dec. 14, 2010**

(54) **WIRELESS HEADSET**

(75) Inventors: **Sung-Ho Lee**, Seoul (KR);  
**Chang-Hwan Hwang**, Seongnam-si  
(KR); **Jong-Chan Kwon**, Yongin-si  
(KR)

(73) Assignee: **Samsung Electronics Co., Ltd.**,  
Maetan-dong, Yeongtong-gu, Suwon-si,  
Gyeonggi-do (KR)

(\*\*) Term: **14 Years**

(21) Appl. No.: **29/348,399**

(22) Filed: **Dec. 30, 2009**

(51) **LOC (9) Cl.** ..... **14-01**

(52) **U.S. Cl.** ..... **D14/223**

(58) **Field of Classification Search** ..... D14/205,  
D14/206, 223, 138 R, 142, 168, 188, 217,  
D14/218, 219, 221; 181/129, 130; 379/430,  
379/433.11; 381/380, 381; 455/90.1, 569.1,  
455/575.1; D10/106; D13/168

See application file for complete search history.

(56) **References Cited**

**U.S. PATENT DOCUMENTS**

D366,262 S *	1/1996	Inaba	.....	D14/218
D395,312 S *	6/1998	Parsadayan et al.	.....	D14/218
D405,796 S *	2/1999	Uehara	.....	D14/218
D450,337 S *	11/2001	Hamamura	.....	D16/237
D481,374 S *	10/2003	Lee	.....	D14/188
D500,485 S *	1/2005	Deguchi	.....	D14/480.1
D549,686 S *	8/2007	Leung	.....	D14/168
D555,150 S *	11/2007	Christopher et al.	.....	D14/223
D559,836 S *	1/2008	Lee	.....	D14/223
D566,692 S *	4/2008	Sade et al.	.....	D14/223
D573,582 S *	7/2008	Ma	.....	D14/205
D578,516 S *	10/2008	Christopher	.....	D14/223
D579,461 S *	10/2008	Lau	.....	D14/496

D579,924 S *	11/2008	Sade et al.	.....	D14/223
D581,396 S *	11/2008	Wikel et al.	.....	D14/206
D582,897 S *	12/2008	Christopher et al.	.....	D14/223
D585,430 S *	1/2009	Kim et al.	.....	D14/223
D588,113 S *	3/2009	Bradford	.....	D14/223
D590,378 S *	4/2009	Bradford	.....	D14/223
D595,272 S *	6/2009	Kim et al.	.....	D14/223
D596,166 S *	7/2009	Henning	.....	D14/223
D600,669 S *	9/2009	Lewis	.....	D14/142
D602,005 S *	10/2009	Lee et al.	.....	D14/223
D602,007 S *	10/2009	Lee et al.	.....	D14/223
D602,476 S *	10/2009	Lee et al.	.....	D14/223
D609,695 S *	2/2010	Cigliano et al.	.....	D14/205

\* cited by examiner

*Primary Examiner*—Paula Greene

(74) *Attorney, Agent, or Firm*—Lexyoume IP Group, PLLC.

(57) **CLAIM**

The ornamental design for a wireless headset, as shown and described.

**DESCRIPTION**

FIG. 1 is a perspective view of a wireless headset showing our new design;

FIG. 2 is a front elevational view thereof;

FIG. 3 is a rear elevational view thereof;

FIG. 4 is a left side elevational view thereof;

FIG. 5 is a right side elevational view thereof;

FIG. 6 is a top plan view thereof; and,

FIG. 7 is a bottom plan view thereof.

The broken lines immediately adjacent the shaded areas represent the bounds of the claimed design while all other broken lines are directed to environment and are for illustrative purposes only; the broken lines form no part of the claimed design.

**1 Claim, 7 Drawing Sheets**

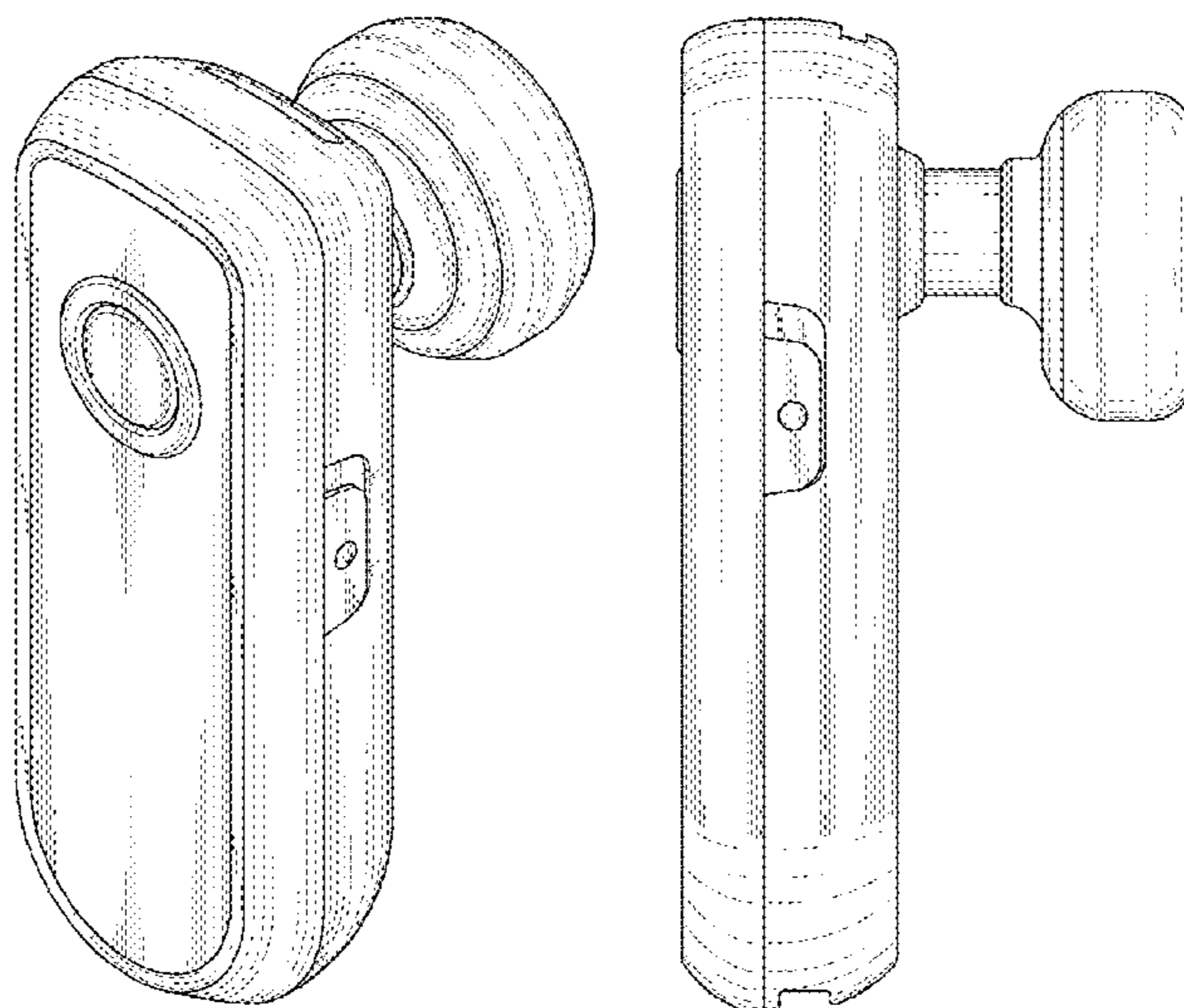


FIG. 1

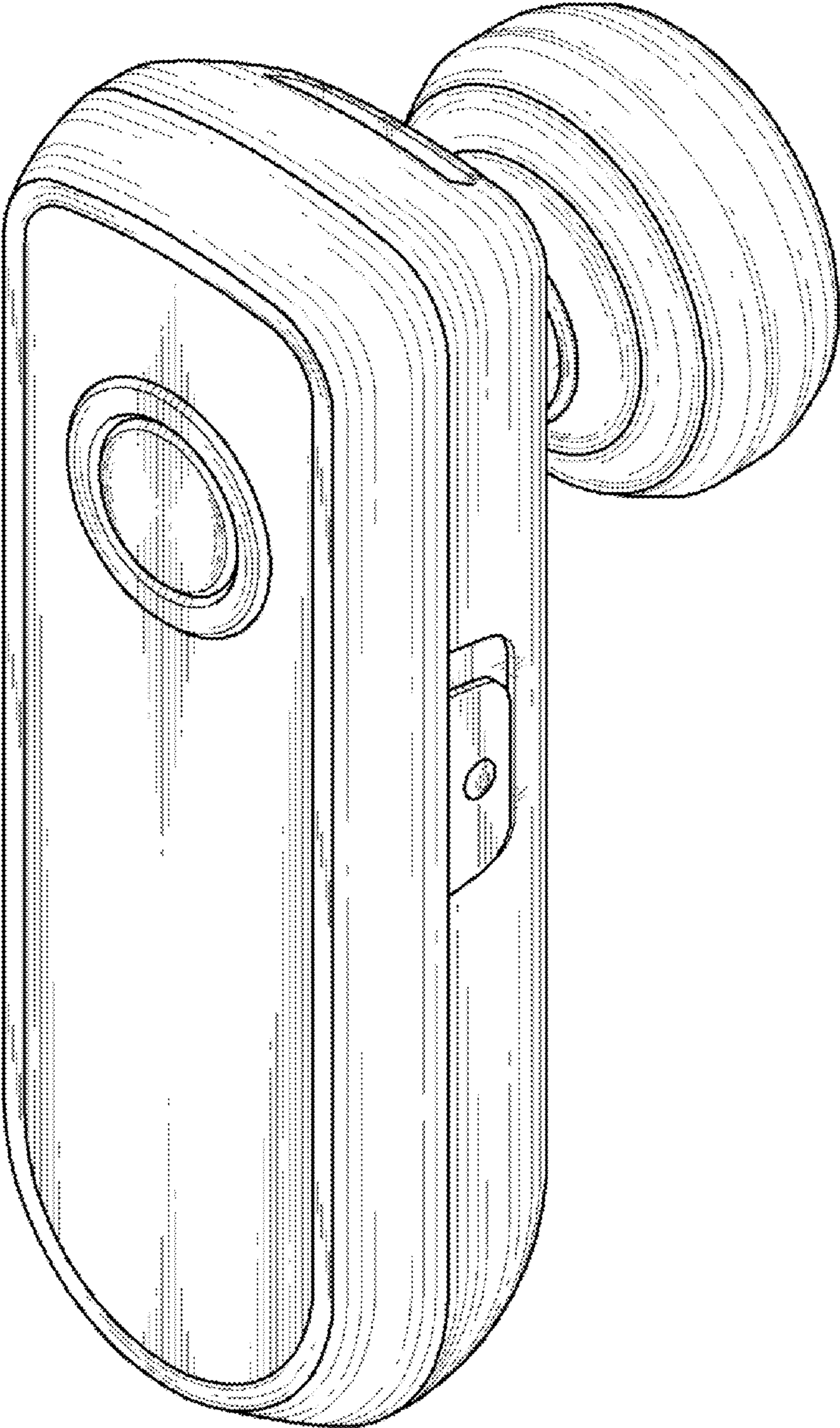


FIG.2

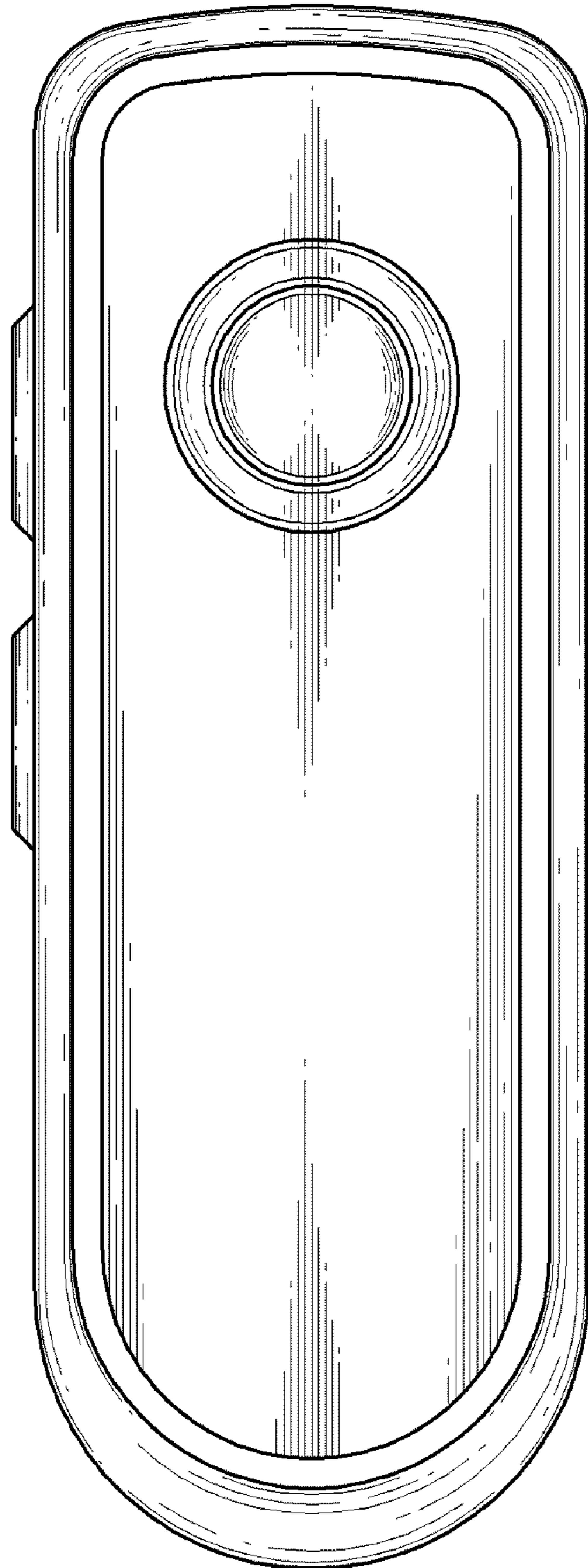


FIG.3

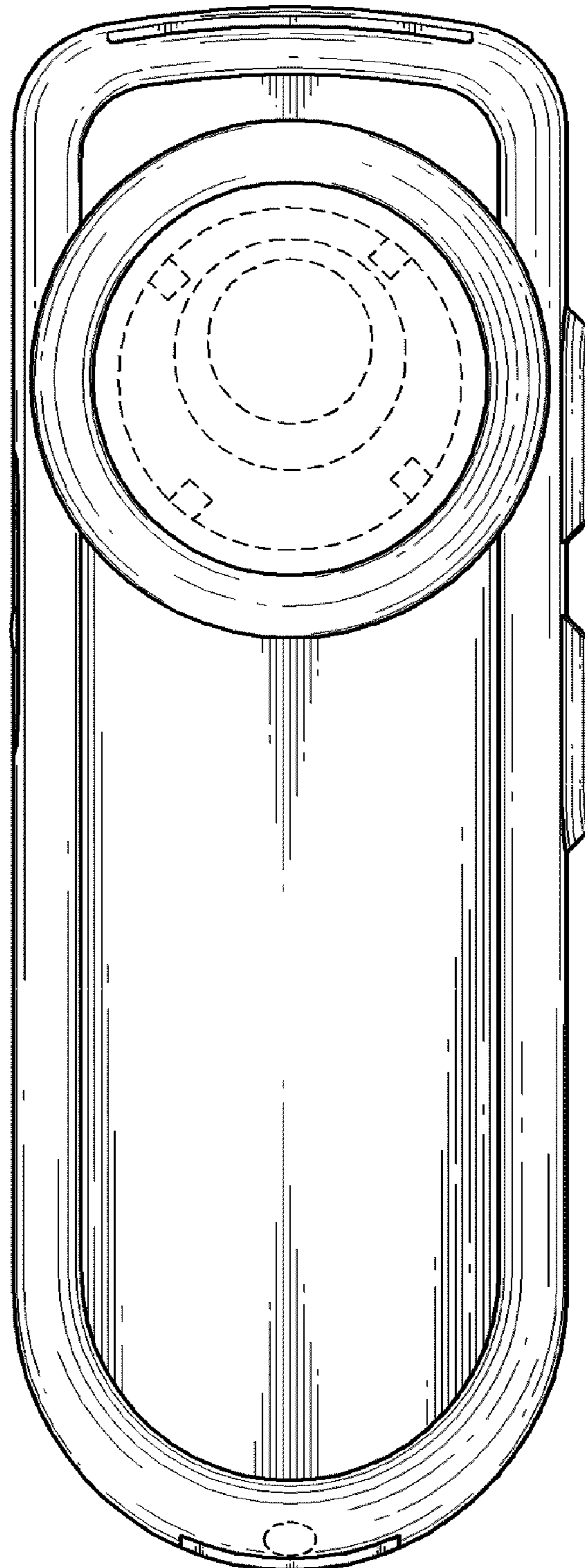


FIG.4

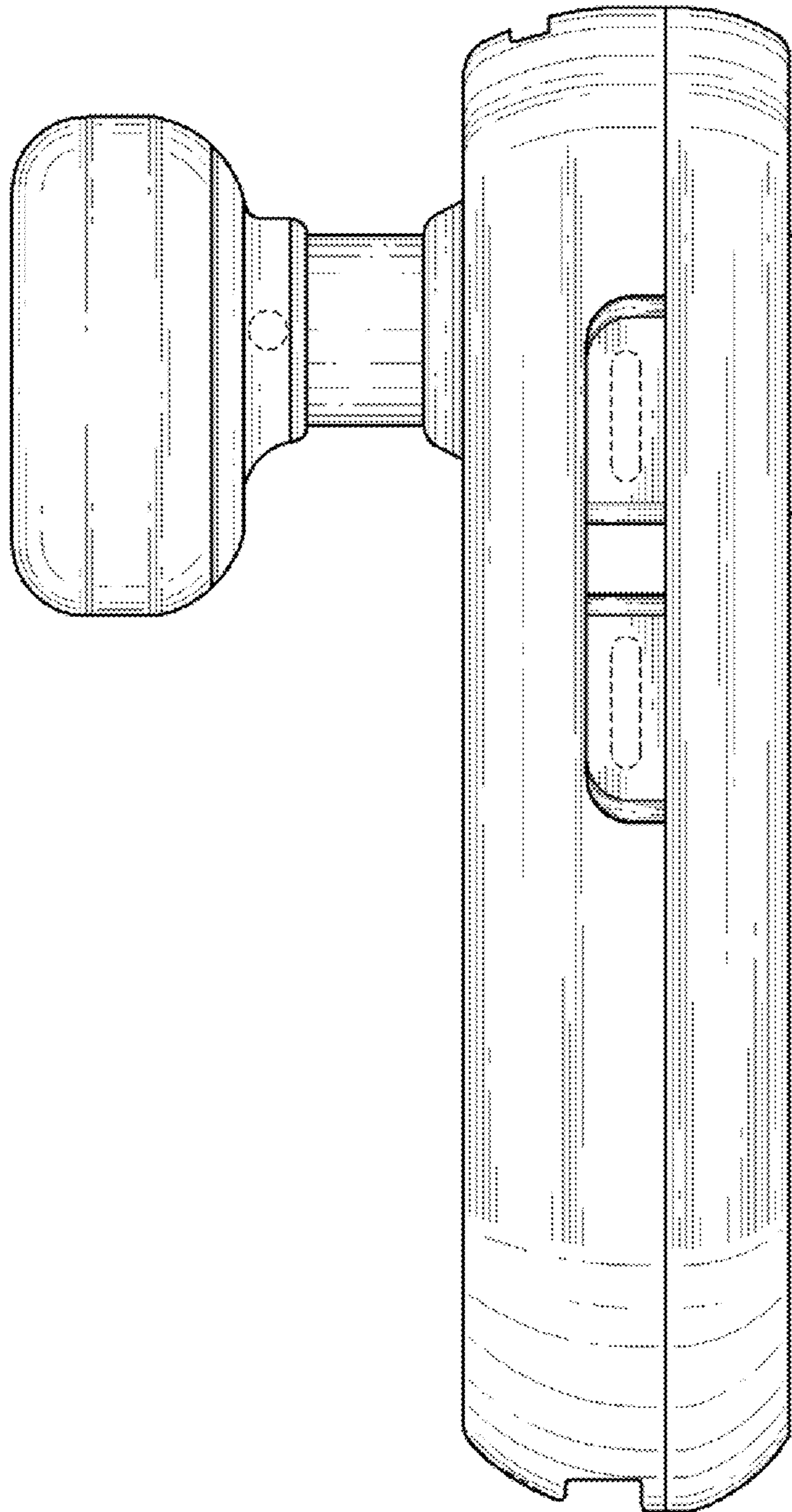


FIG.5

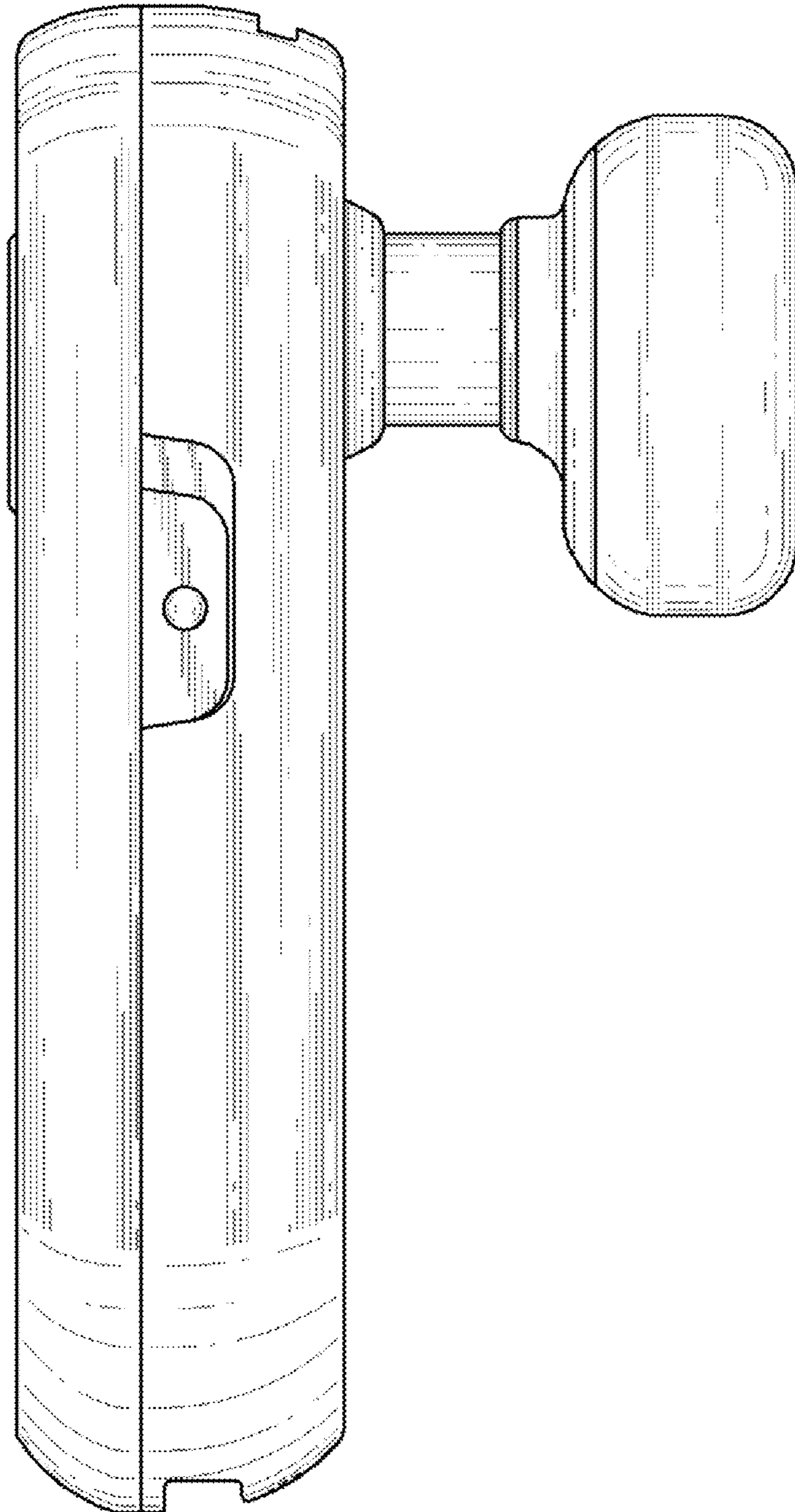


FIG.6

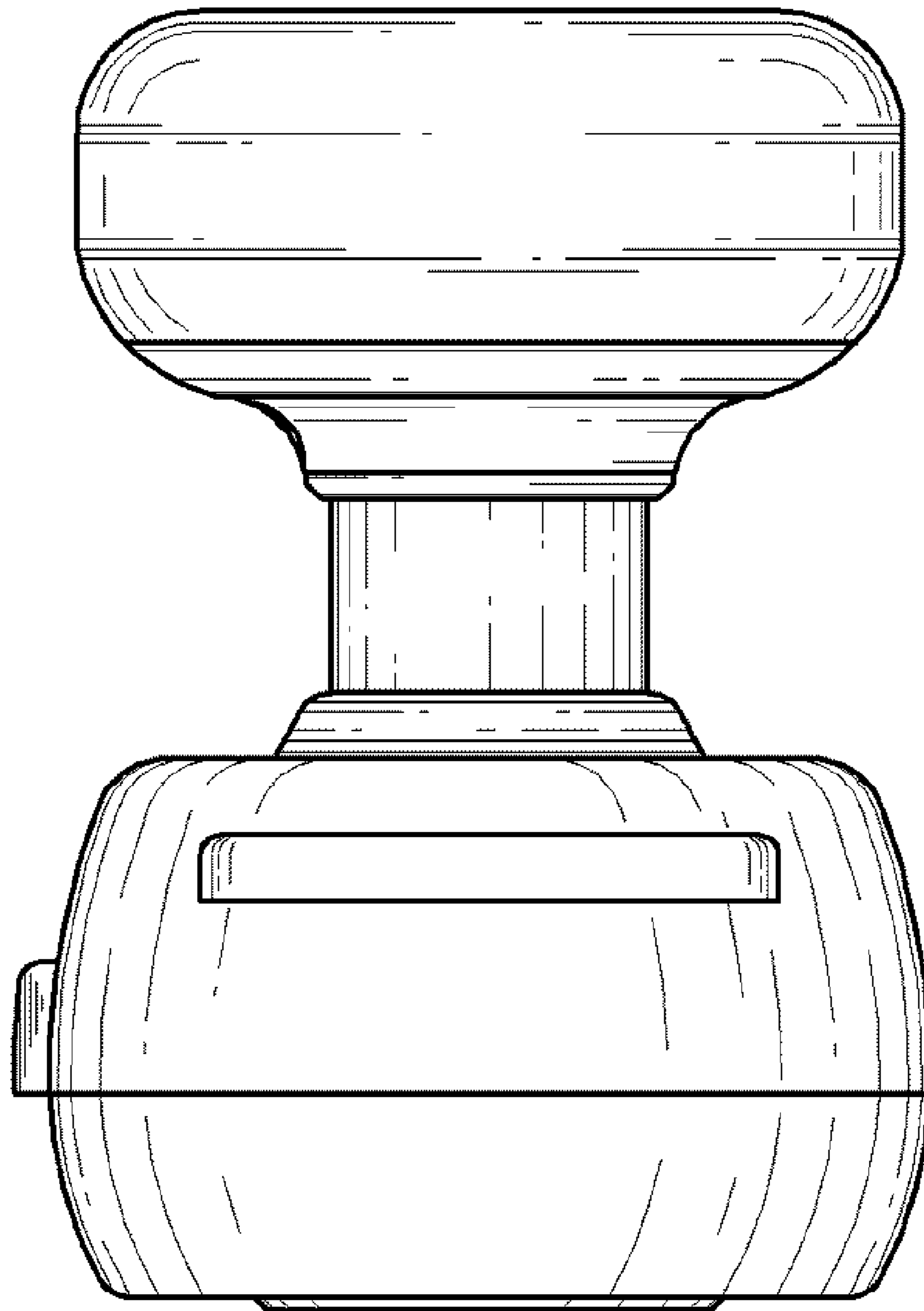


FIG. 7

