



US00D628988S

(12) **United States Design Patent**  
**Yu**

(10) **Patent No.:** **US D628,988 S**

(45) **Date of Patent:** **\*\* Dec. 14, 2010**

(54) **REMOTE CONTROLLER**

(75) Inventor: **Jiliang Yu**, Qingdao (CN)

(73) Assignee: **Hisense Electric Co., Ltd.**, Shan Dong (CN)

(\*\*) Term: **14 Years**

(21) Appl. No.: **29/370,340**

(22) Filed: **Jul. 2, 2010**

(51) **LOC (9) Cl.** ..... **14-03**

(52) **U.S. Cl.** ..... **D14/218**

(58) **Field of Classification Search** ..... D14/174,  
D14/137-139, 151, 217, 218, 191-193, 167,  
D14/299, 168, 247, 455, 456; D13/168,  
D13/162-164; D21/512-517, 566; D10/104,  
D10/106; 345/169; 348/114, 734; 455/352-355,  
455/151.1-151.4, 128, 347, 90.3

See application file for complete search history.

(56) **References Cited**

**U.S. PATENT DOCUMENTS**

- D416,016 S \* 11/1999 Hughes et al. .... D14/147
- D430,129 S \* 8/2000 Sillers ..... D14/147
- D433,403 S \* 11/2000 Backs et al. .... D14/218
- D460,751 S \* 7/2002 Jensen et al. .... D14/218
- D470,118 S \* 2/2003 Miles et al. .... D14/144
- D480,698 S \* 10/2003 Slipy et al. .... D14/147
- D504,885 S \* 5/2005 Zhang et al. .... D14/218
- D508,482 S \* 8/2005 Pardo ..... D14/218
- D512,027 S \* 11/2005 Sarasjoki et al. .... D13/168
- D517,050 S \* 3/2006 Mabry et al. .... D14/218
- D521,501 S \* 5/2006 Miller et al. .... D14/218
- D528,103 S \* 9/2006 Mabry et al. .... D14/218
- D542,281 S \* 5/2007 Mabry et al. .... D14/218
- D543,971 S \* 6/2007 d'Hoore ..... D14/218
- D544,467 S \* 6/2007 Tsuge ..... D14/218
- D552,600 S \* 10/2007 Oota ..... D14/218
- D571,790 S \* 6/2008 Yoshitake et al. .... D14/218
- D581,370 S \* 11/2008 Corsini et al. .... D13/168

- D586,788 S \* 2/2009 Tellier ..... D14/218
- D597,533 S \* 8/2009 Kumagai et al. .... D14/218
- D605,179 S 12/2009 Rudolph et al.
- D605,180 S 12/2009 Rudolph et al.
- D608,765 S \* 1/2010 Tsai et al. .... D14/218
- D614,607 S \* 4/2010 Kamegi ..... D14/218
- D615,965 S \* 5/2010 Yokota ..... D14/218
- D618,216 S \* 6/2010 Constin et al. .... D14/218
- D620,456 S \* 7/2010 Akana et al. .... D13/168

**FOREIGN PATENT DOCUMENTS**

- KR 3001159630000 2/2000
- KR 3002522920000 2/2000
- KR 3002705060000 2/2001
- KR 3002940600000 3/2002

\* cited by examiner

*Primary Examiner*—Celia A Murphy

*Assistant Examiner*—John Windmuller

(74) *Attorney, Agent, or Firm*—Sheppard, Mullin, Richter & Hampton LLP

(57) **CLAIM**

I claim the ornamental design for a remote controller, as shown and described.

**DESCRIPTION**

FIG. 1 is a first perspective view of the remote controller showing the new design;

FIG. 2 is a front elevational view thereof;

FIG. 3 is a rear elevational view thereof;

FIG. 4 is a left side elevational view thereof;

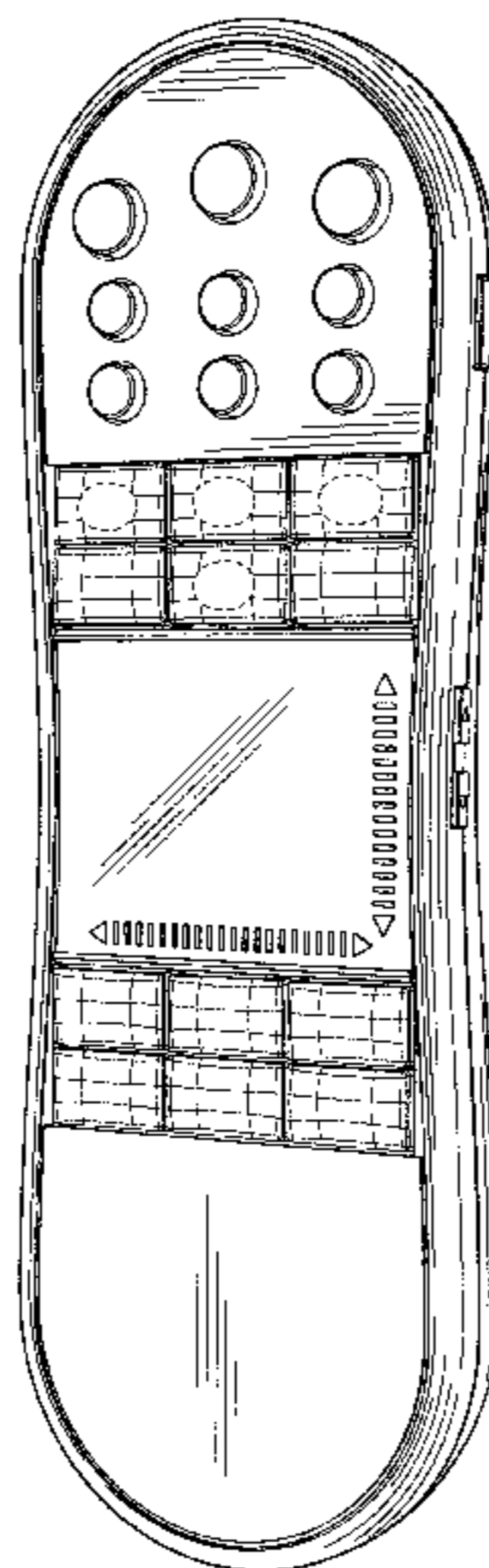
FIG. 5 is a right side elevational view thereof;

FIG. 6 is a top plan view thereof; and,

FIG. 7 is a bottom plan view thereof.

The dotted lines are for illustrative purposes only and form no part of the claimed design.

**1 Claim, 4 Drawing Sheets**



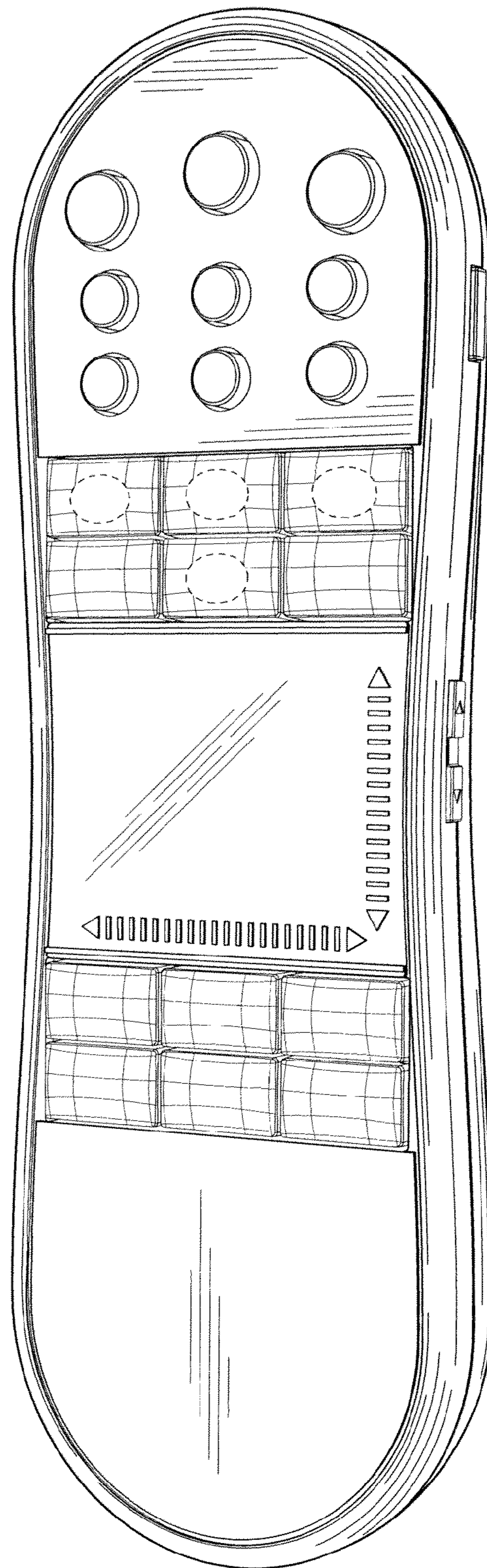


FIG. 1

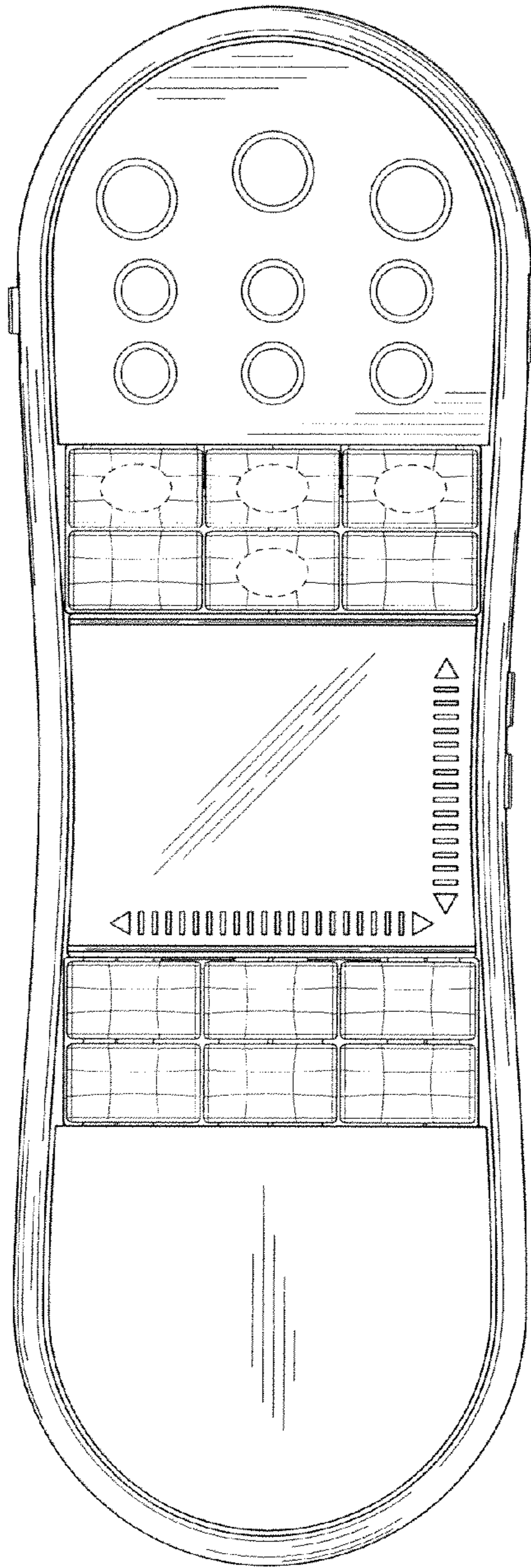


FIG. 2

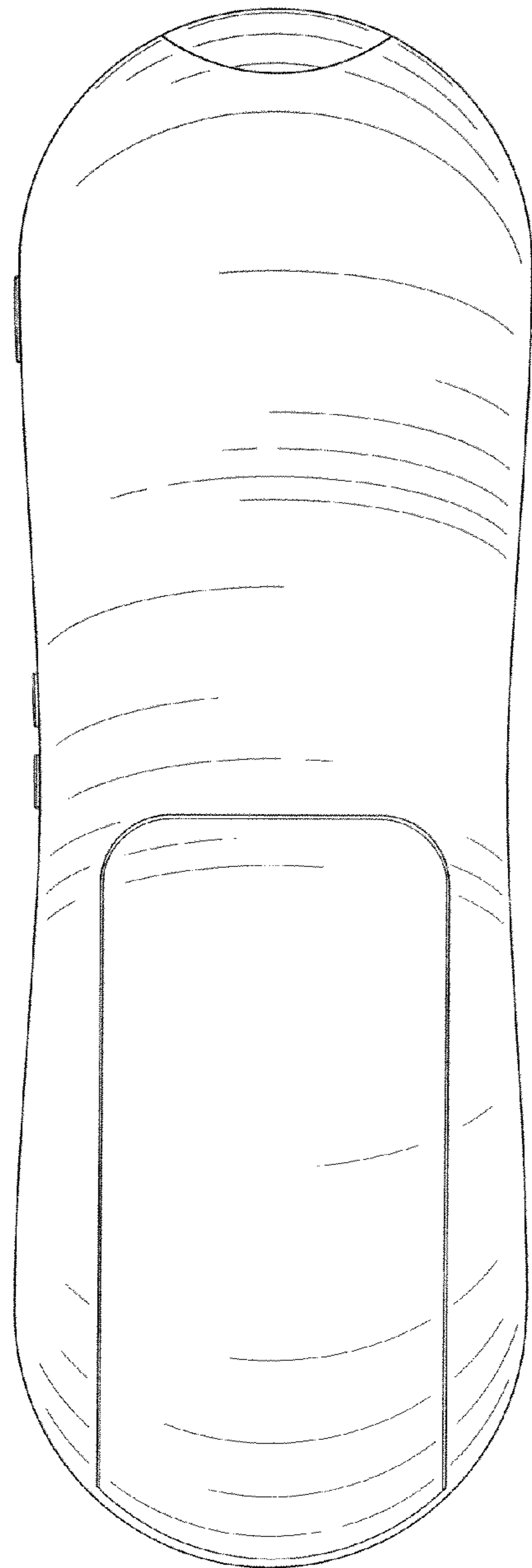


FIG. 3

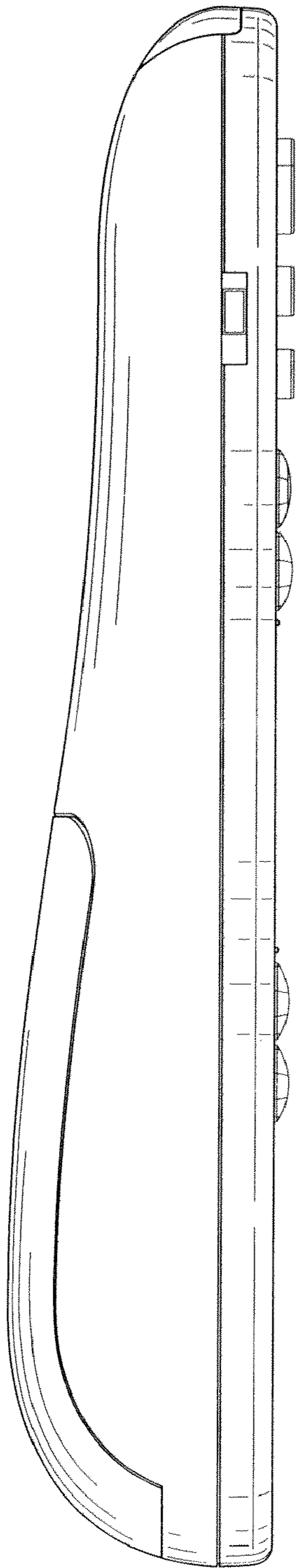


FIG. 4

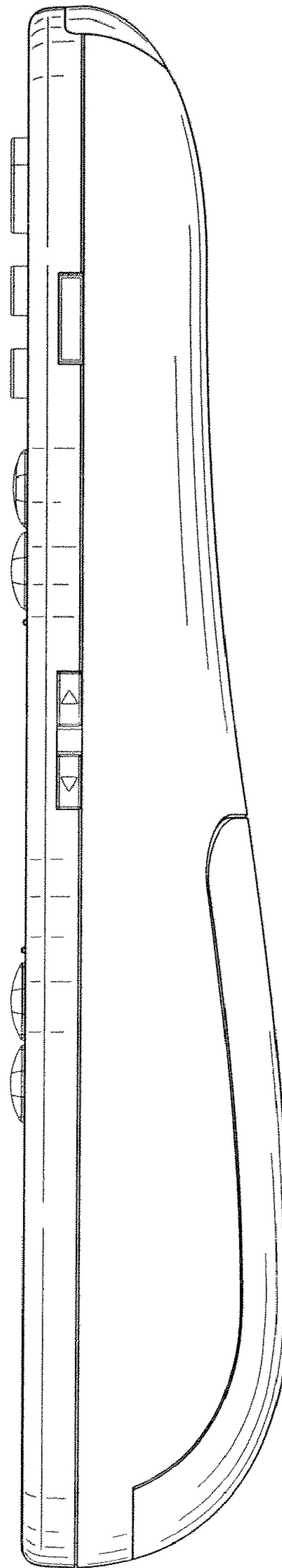
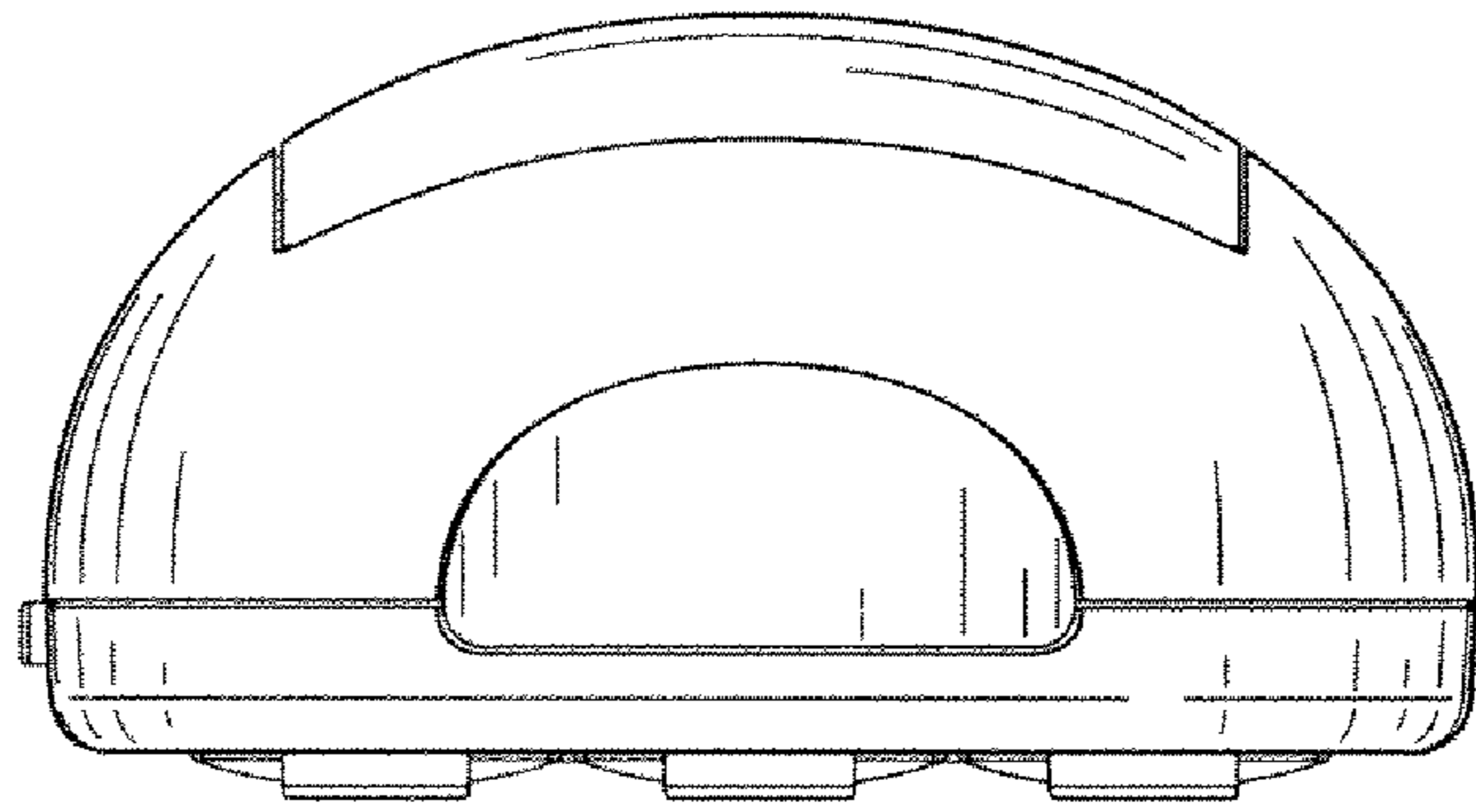
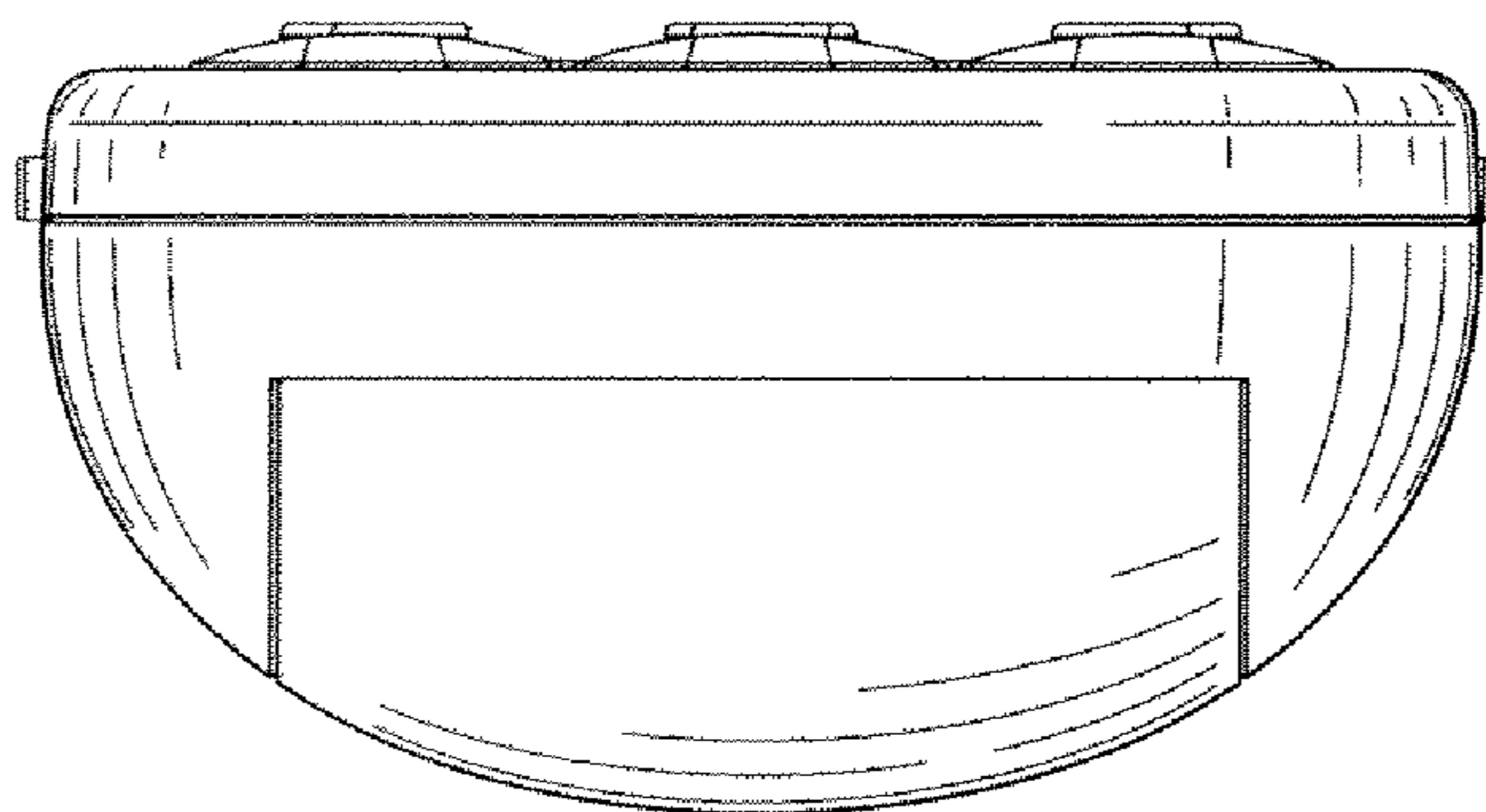


FIG. 5



**FIG. 6**



**FIG. 7**