



US00D628986S

(12) **United States Design Patent**
VanDuyn et al.

(10) **Patent No.:** **US D628,986 S**
(45) **Date of Patent:** **** Dec. 14, 2010**

(54) **ENTERTAINMENT DEVICE KEYBOARD
REMOTE CONTROL**

(75) Inventors: **Luke VanDuyn**, Highlands Ranch, CO
(US); **Neil Marten**, Denver, CO (US)

(73) Assignee: **EchoStar Technologies L.L.C.**,
Englewood, CO (US)

(**) Term: **14 Years**

(21) Appl. No.: **29/367,518**

(22) Filed: **Aug. 9, 2010**

(51) **LOC (9) Cl.** **14-03**

(52) **U.S. Cl.** **D14/218**

(58) **Field of Classification Search** D14/174,
D14/137–139, 151, 217, 218, 191–193, 167,
D14/299, 168, 247, 455, 456, 138 AC; D13/168,
D13/162–164; D21/512–517, 566; D10/104,
D10/106; 345/169; 348/114, 734; 455/352–355,
455/151.1–151.4, 128, 347, 90.3

See application file for complete search history.

(56) **References Cited**

U.S. PATENT DOCUMENTS

D331,760 S *	12/1992	Renk, Jr.	D14/218
D342,259 S *	12/1993	Darbee et al.	D14/218
D361,058 S *	8/1995	Domel et al.	D13/168
D366,043 S *	1/1996	Hara et al.	D14/218
D366,044 S *	1/1996	Hara et al.	D14/218
D389,838 S *	1/1998	Brunner et al.	D14/218
D418,820 S *	1/2000	Shintani et al.	D13/168
D477,590 S *	7/2003	Ahn	D14/218
D504,886 S *	5/2005	Yasutomi	D14/218
D532,777 S *	11/2006	Yu et al.	D14/218
D543,971 S *	6/2007	d’Hoore	D14/218
D549,666 S *	8/2007	Tan et al.	D13/168
D551,659 S *	9/2007	Shih et al.	D14/218
D565,555 S *	4/2008	Goto	D14/218
D568,299 S *	5/2008	Tuli	D14/218
D571,790 S *	6/2008	Yoshitake et al.	D14/218
D577,721 S *	9/2008	O’Neil	D14/358

D585,052 S *	1/2009	Mamane et al.	D14/218
D589,496 S *	3/2009	Legrand	D14/218
D602,473 S *	10/2009	Moller et al.	D14/218
D606,520 S *	12/2009	McRae et al.	D14/218
D609,222 S *	2/2010	Shin	D14/218
D611,456 S *	3/2010	Lin	D14/218
D612,365 S *	3/2010	Lin	D14/218
D613,272 S *	4/2010	Painter	D14/218
D618,666 S *	6/2010	Shin et al.	D14/218

* cited by examiner

Primary Examiner—Celia A Murphy

Assistant Examiner—John Windmuller

(74) *Attorney, Agent, or Firm*—Max S. Gratton

(57) **CLAIM**

The ornamental design for an entertainment device keyboard remote control, as shown and described.

DESCRIPTION

FIG. 1 is a top perspective view of the entertainment device keyboard remote control showing our new design;

FIG. 2 is a bottom perspective view thereof;

FIG. 3 is a back view thereof;

FIG. 4 is a front view thereof;

FIG. 5 is a right side elevation view thereof;

FIG. 6 is a left side elevation view thereof;

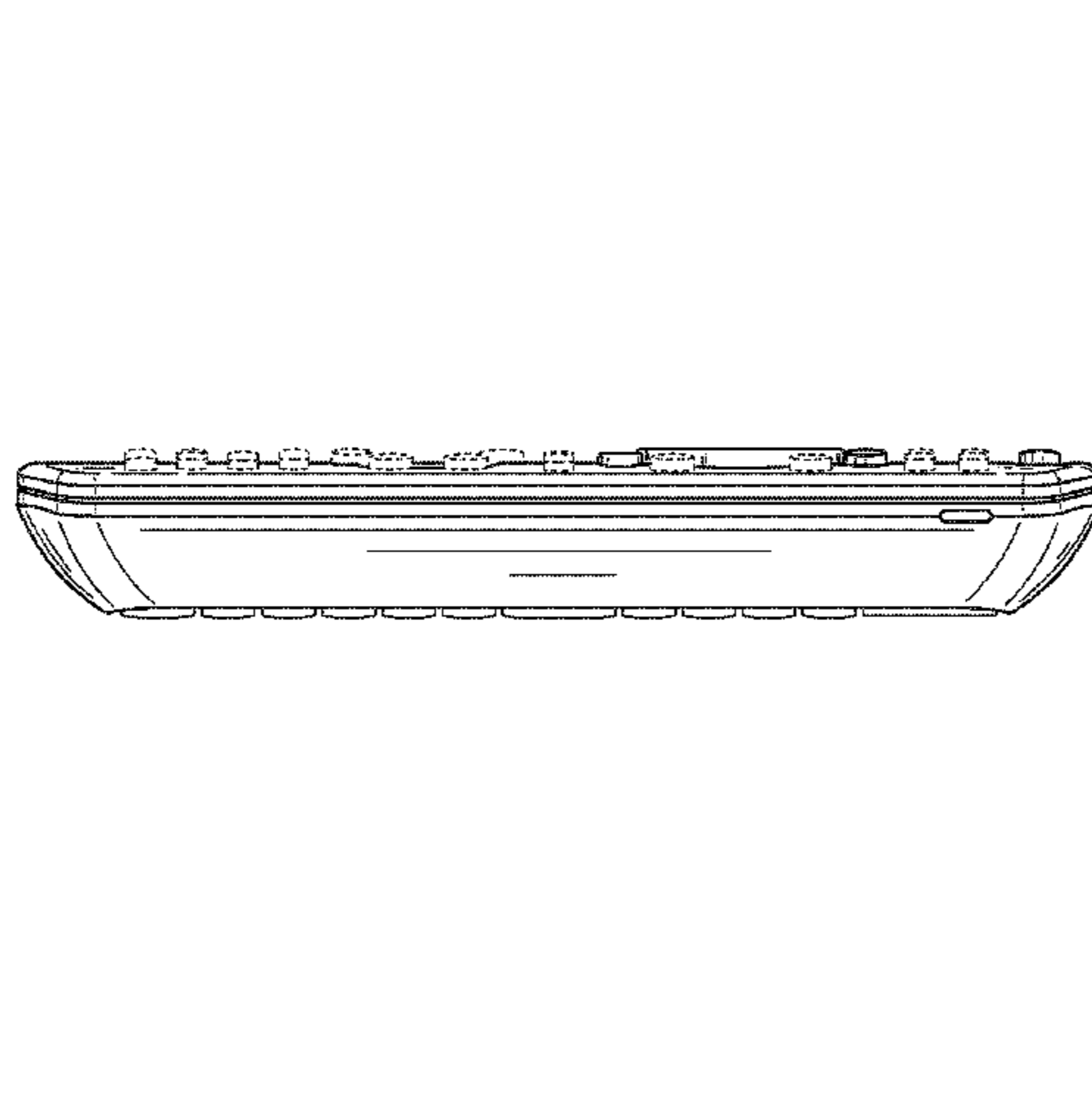
FIG. 7 is a top plan view thereof;

FIG. 8 is a bottom plan view thereof; and,

FIG. 9 is a cross section view of FIG. 1.

In the drawings, the broken-line showing of buttons depicts environmental subject matter only and forms no part of the claimed design. In FIG. 9, the innermost dashed line represents a boundary for the claimed region and is not intended to indicate environmental subject matter. This indicates that material inside the innermost dashed line in FIG. 9 is not part of the claimed design.

1 Claim, 8 Drawing Sheets



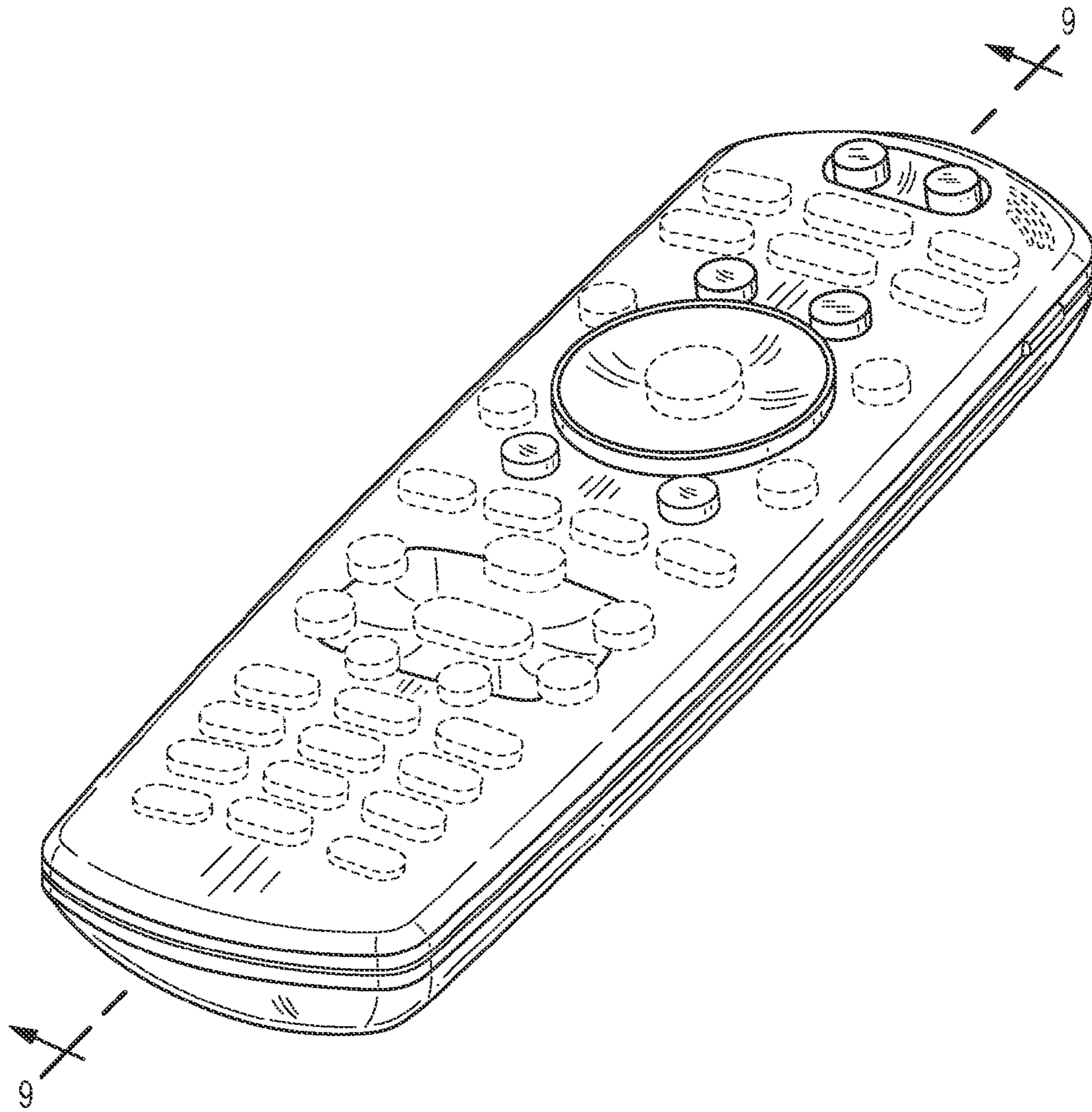


FIG. 1

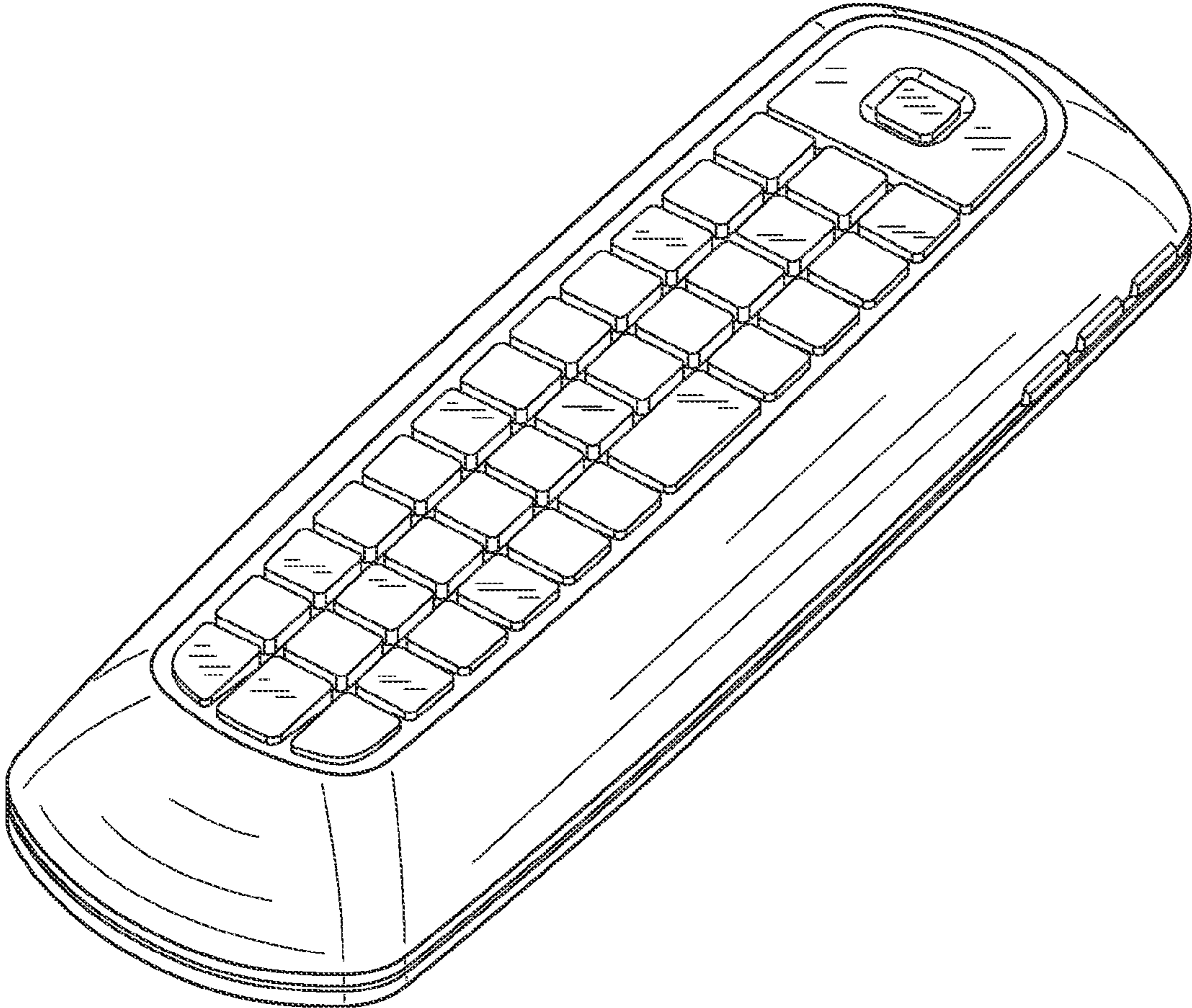


FIG.2

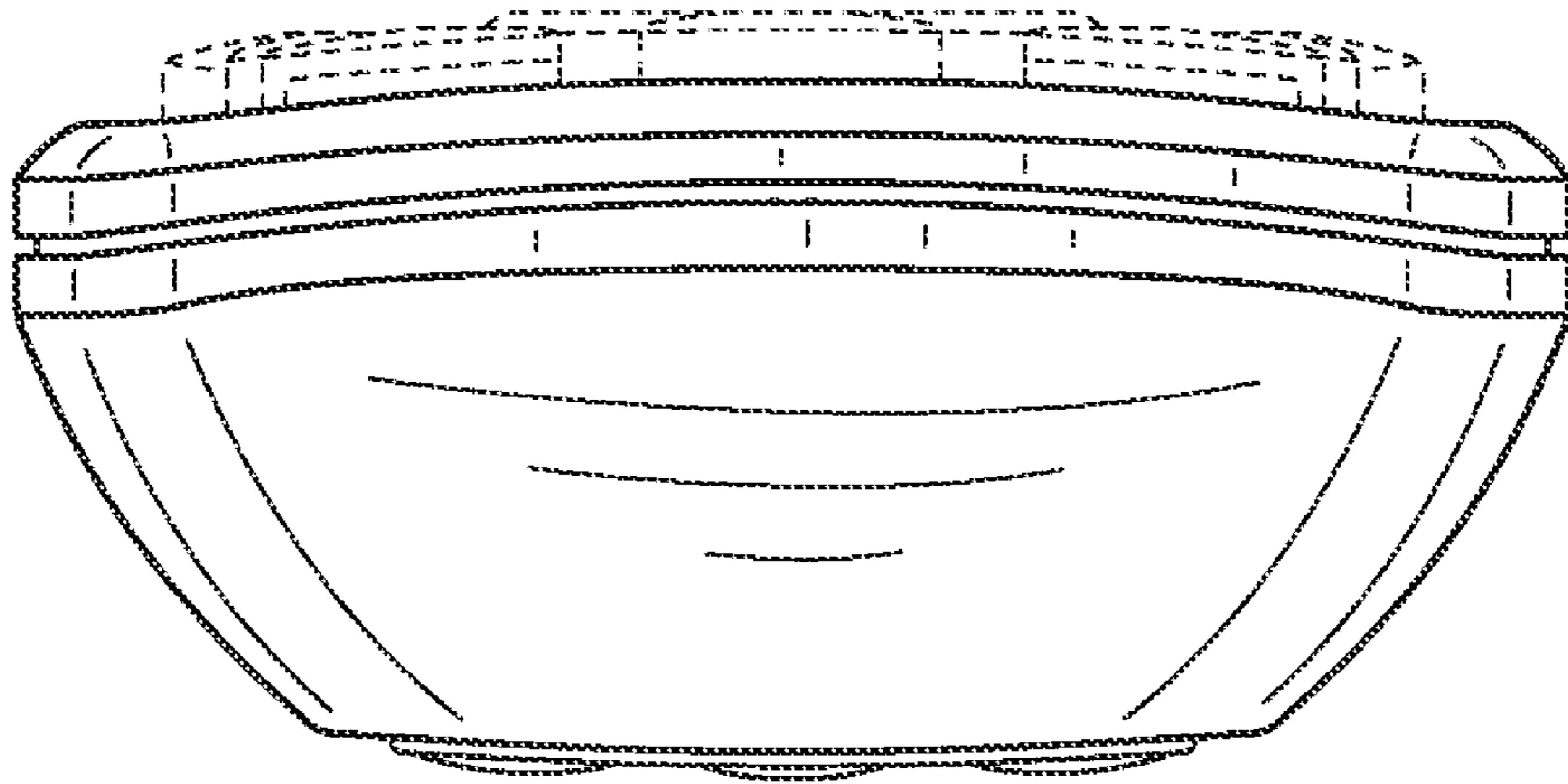


FIG. 3

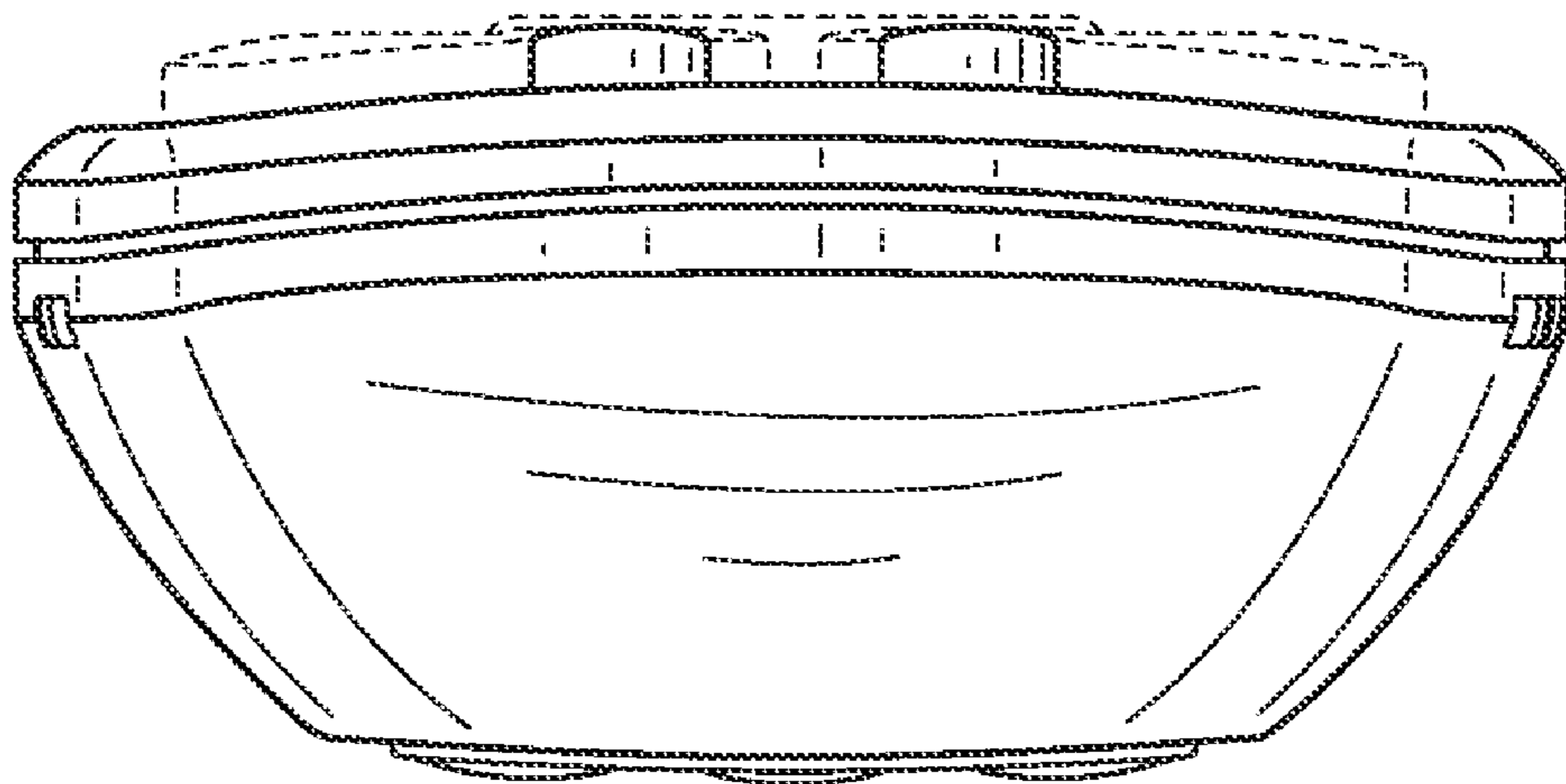


FIG. 4

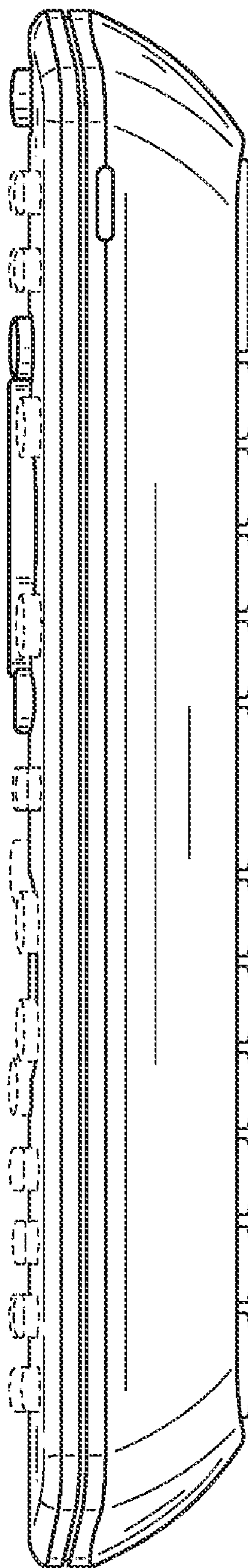


FIG. 5

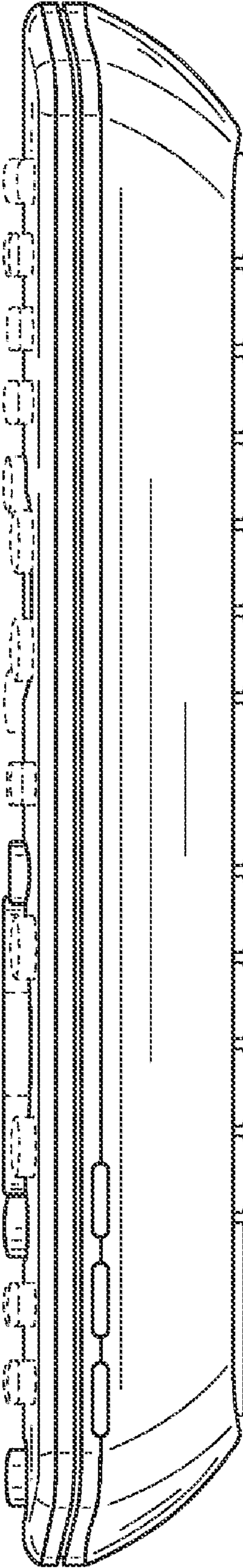


FIG. 6

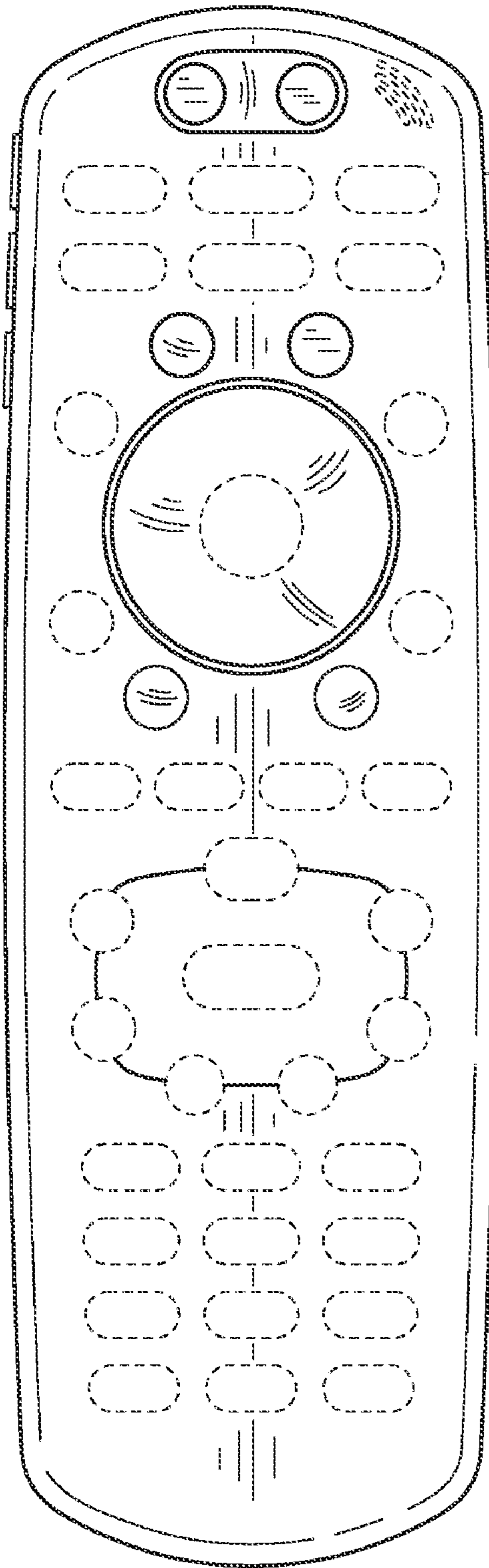


FIG. 7

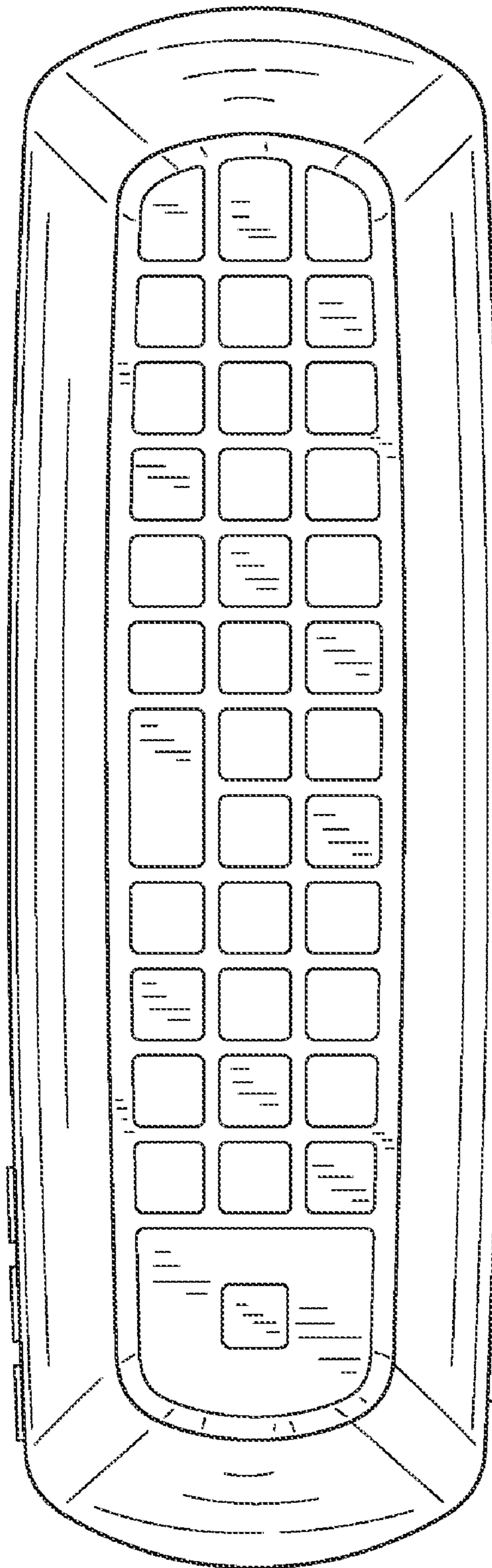


FIG. 8

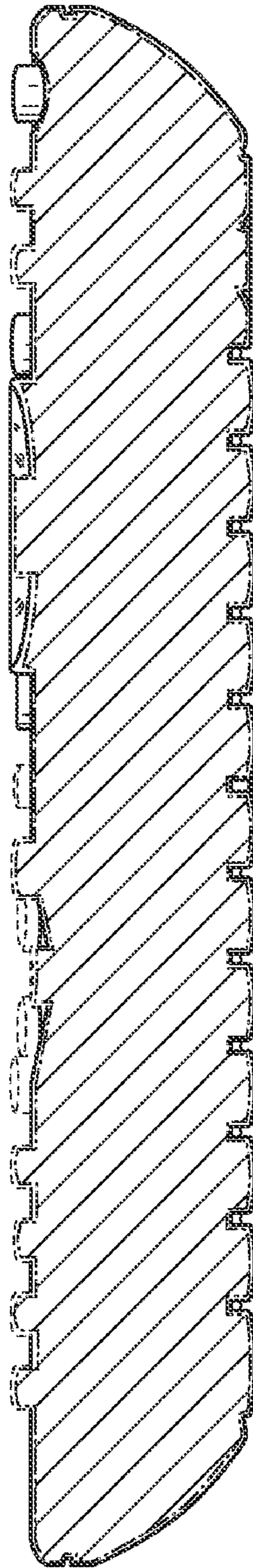


FIG. 9