



US00D628983S

(12) **United States Design Patent**
VanDuyn et al.

(10) **Patent No.:** **US D628,983 S**

(45) **Date of Patent:** **** Dec. 14, 2010**

(54) **TWISTABLE REMOTE CONTROL**

(75) Inventors: **Luke VanDuyn**, Highlands Ranch, CO (US); **Henry Martch**, Parker, CO (US)

(73) Assignee: **EchoStar Technologies L.L.C.**, Englewood, CO (US)

(**) Term: **14 Years**

(21) Appl. No.: **29/366,664**

(22) Filed: **Jul. 28, 2010**

(51) **LOC (9) Cl.** **14-03**

(52) **U.S. Cl.** **D14/218**

(58) **Field of Classification Search** D14/174,
D14/137-139, 151, 217, 218, 191-193, 167,
D14/299, 168, 247, 455, 456, 138 AA, 138 AC;
D13/168, 162-164; D21/512-517, 566;
D10/104, 106; 345/169; 348/114, 734; 455/352-355,
455/151.1-151.4, 128, 347, 90.3
See application file for complete search history.

(56) **References Cited**

U.S. PATENT DOCUMENTS

| | | | | |
|-------------------|---------|------------------|-------|------------|
| D511,509 S * | 11/2005 | Kim et al. | | D14/138 AB |
| D515,072 S * | 2/2006 | Lee | | D14/218 |
| D515,544 S * | 2/2006 | Kim et al. | | D14/138 AA |
| D518,475 S * | 4/2006 | Yang et al. | | D14/218 |
| D532,777 S * | 11/2006 | Yu et al. | | D14/218 |
| D538,820 S * | 3/2007 | Andre et al. | | D14/203.7 |
| D542,758 S * | 5/2007 | Kim et al. | | D14/138 AA |
| D543,971 S * | 6/2007 | d'Hoore | | D14/218 |
| D549,666 S * | 8/2007 | Tan et al. | | D13/168 |
| D552,086 S * | 10/2007 | Johnson et al. | | D14/217 |
| D552,600 S * | 10/2007 | Oota | | D14/218 |
| D558,714 S * | 1/2008 | Kim et al. | | D14/138 AD |
| D559,202 S * | 1/2008 | Sim et al. | | D13/168 |
| D584,727 S * | 1/2009 | Liu | | D14/346 |
| D585,052 S * | 1/2009 | Mamane et al. | | D14/218 |
| D614,605 S * | 4/2010 | Teh et al. | | D14/218 |
| D621,372 S * | 8/2010 | Won et al. | | D13/168 |
| D622,703 S * | 8/2010 | Cheng Teh et al. | | D14/218 |
| 2002/0154888 A1 * | 10/2002 | Allen et al. | | 386/46 |

2007/0093281 A1* 4/2007 Park et al. 455/575.4
2007/0142092 A1* 6/2007 Kim 455/566

* cited by examiner

Primary Examiner—Celia A Murphy
Assistant Examiner—John Windmuller

(74) *Attorney, Agent, or Firm*—Dorsey & Whitney LLP

(57) **CLAIM**

We claim the ornamental design for a twistable remote control, as shown and described.

DESCRIPTION

FIG. 1 is a top isometric view of a first embodiment of a twistable remote control showing our new design;

FIG. 2 is a top plan view thereof;

FIG. 3 is a bottom plan view thereof;

FIG. 4 is a front elevation view thereof;

FIG. 5 is a top isometric view thereof in an expanded orientation;

FIG. 6 is a top plan view thereof in an expanded orientation;

FIG. 7 is a front elevation view thereof in an expanded orientation;

FIG. 8 is a top isometric view of a second embodiment of a twistable remote control showing our new design;

FIG. 9 is a top plan view thereof;

FIG. 10 is a bottom plan view thereof;

FIG. 11 is a front elevation view thereof;

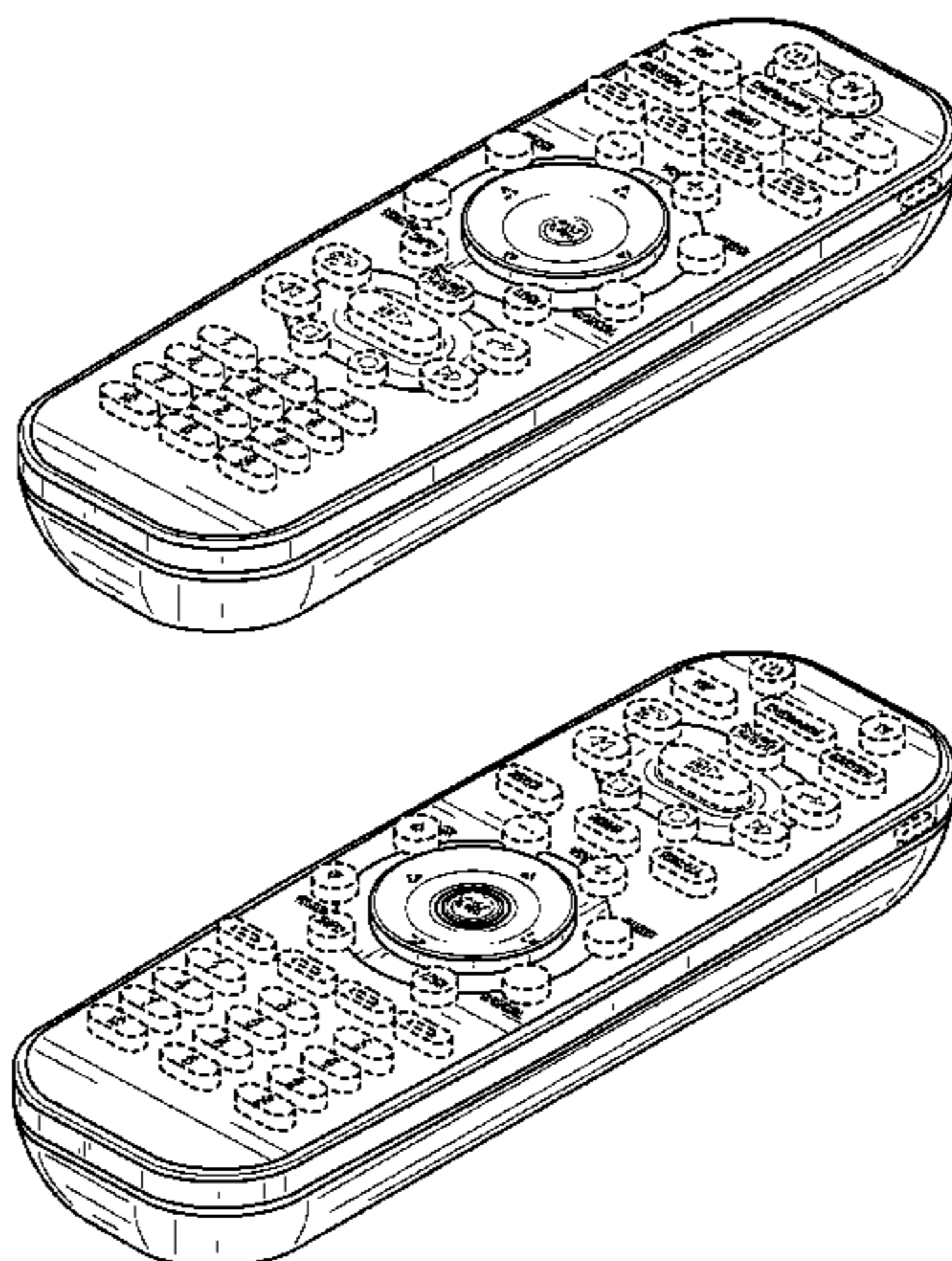
FIG. 12 is a top isometric view thereof in an expanded orientation;

FIG. 13 is a top plan view thereof in an expanded orientation; and,

FIG. 14 is a front elevation view thereof in an expanded orientation.

In the drawings, the broken-line showing of buttons depicts environmental subject matter only and forms no part of the claimed design.

1 Claim, 14 Drawing Sheets



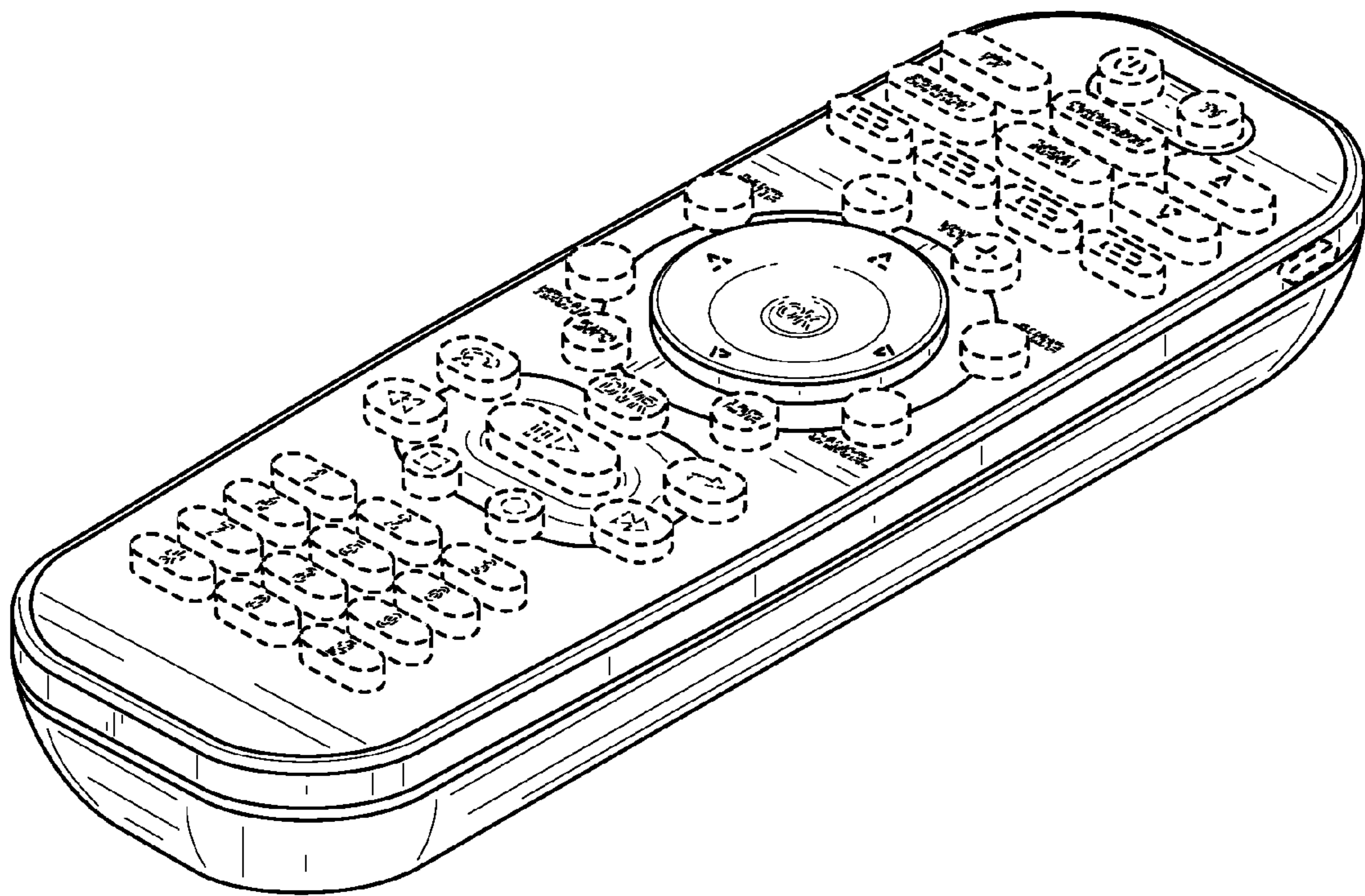


FIG. 1

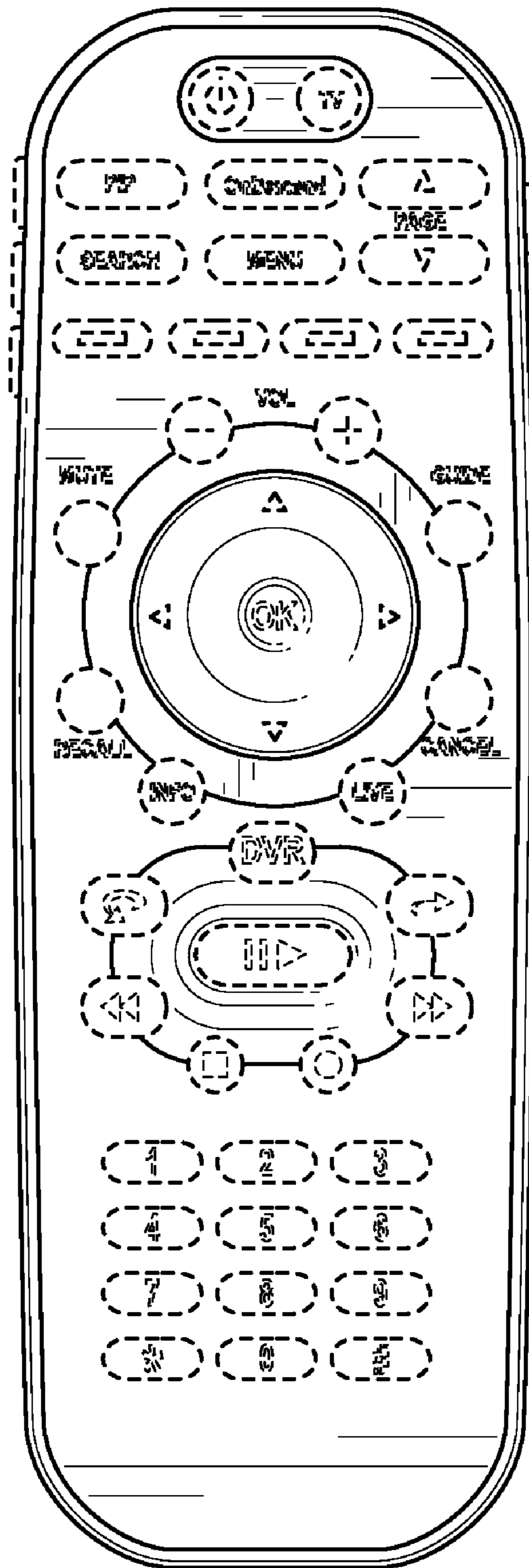


FIG. 2

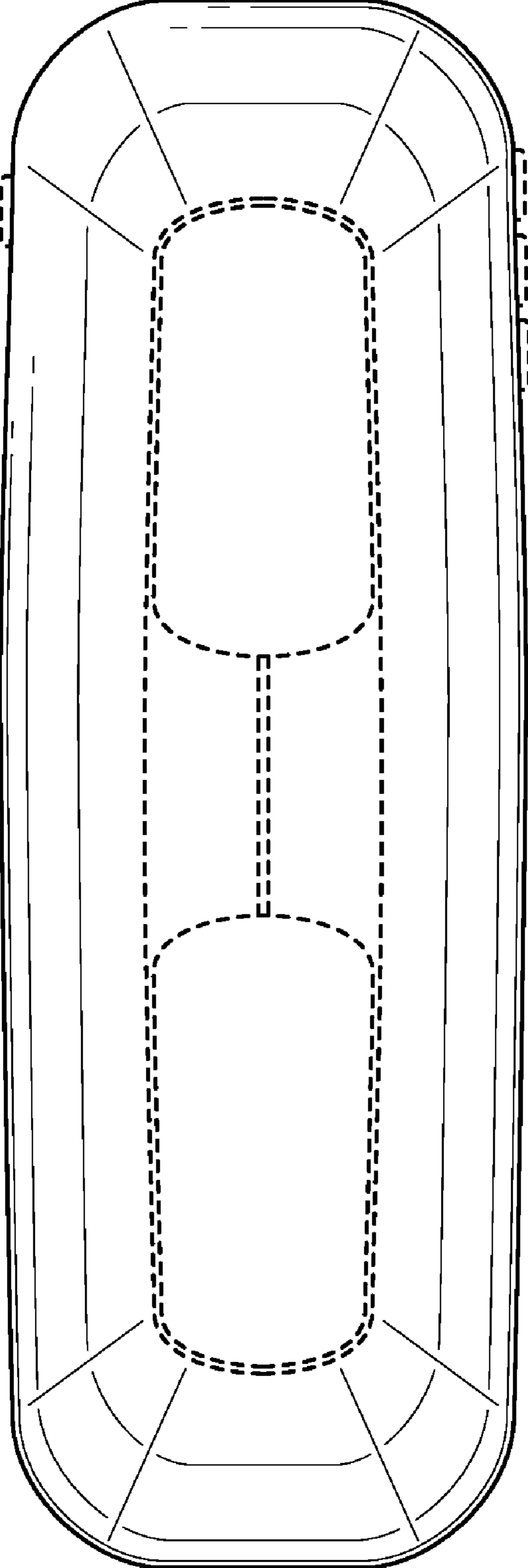


FIG. 3

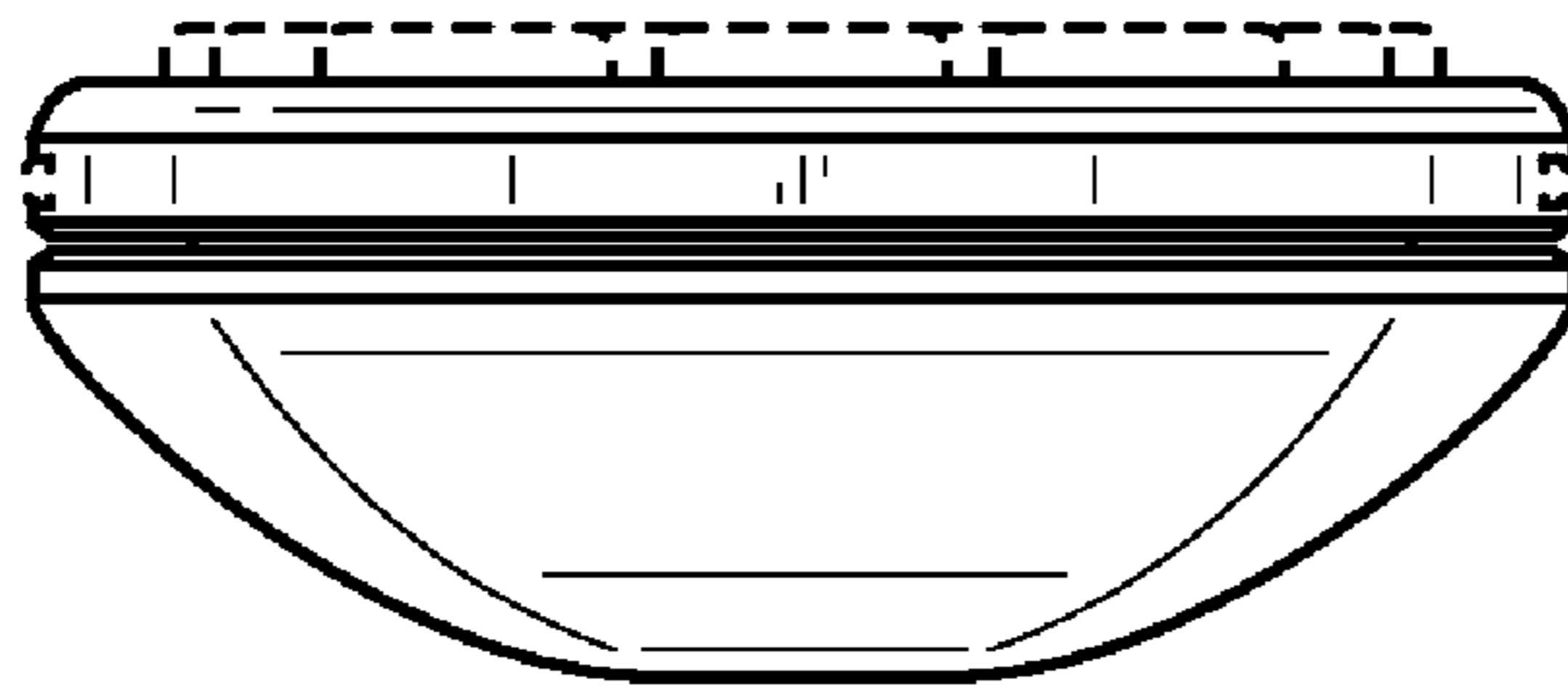


FIG. 4

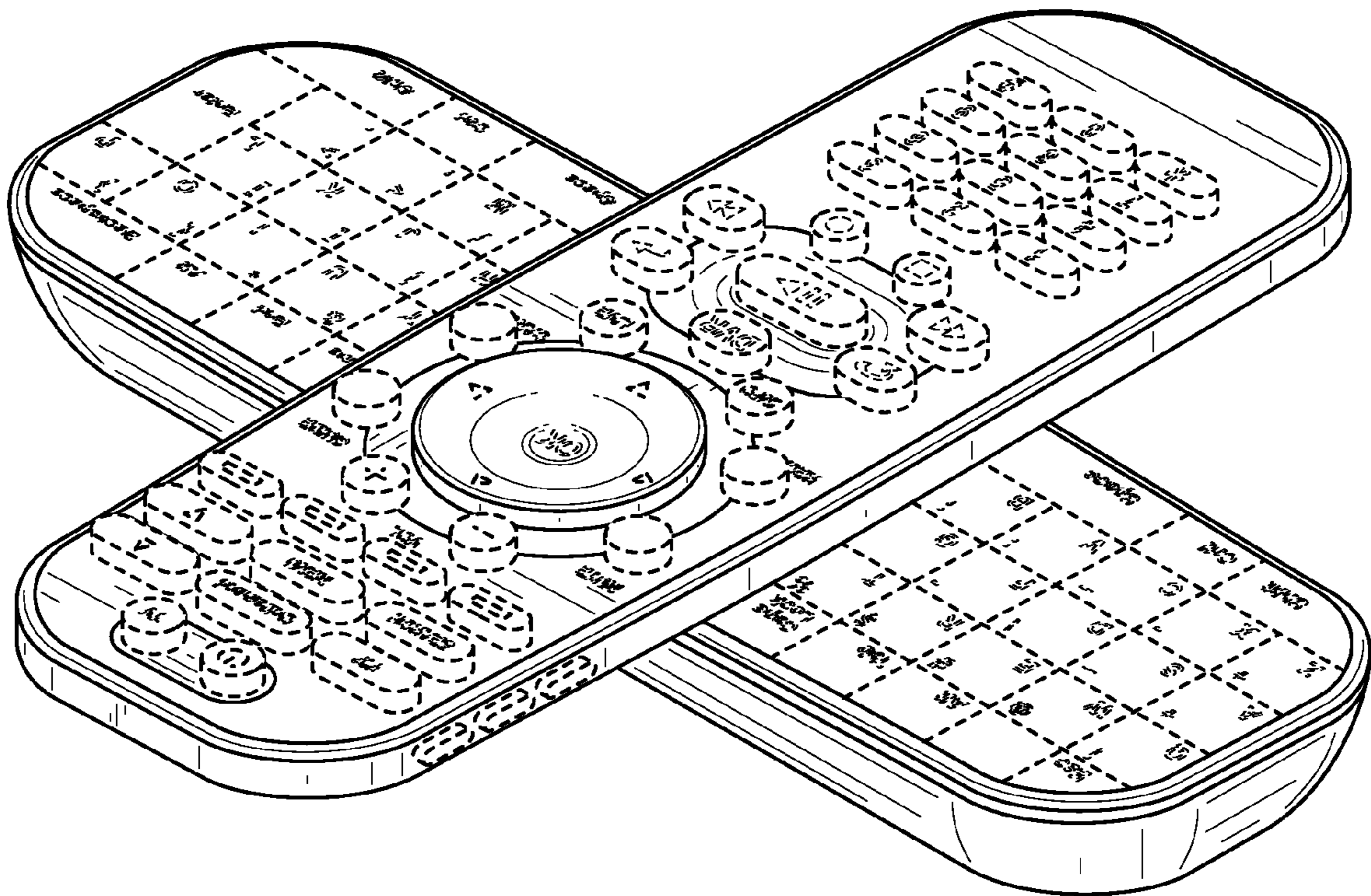


FIG. 5

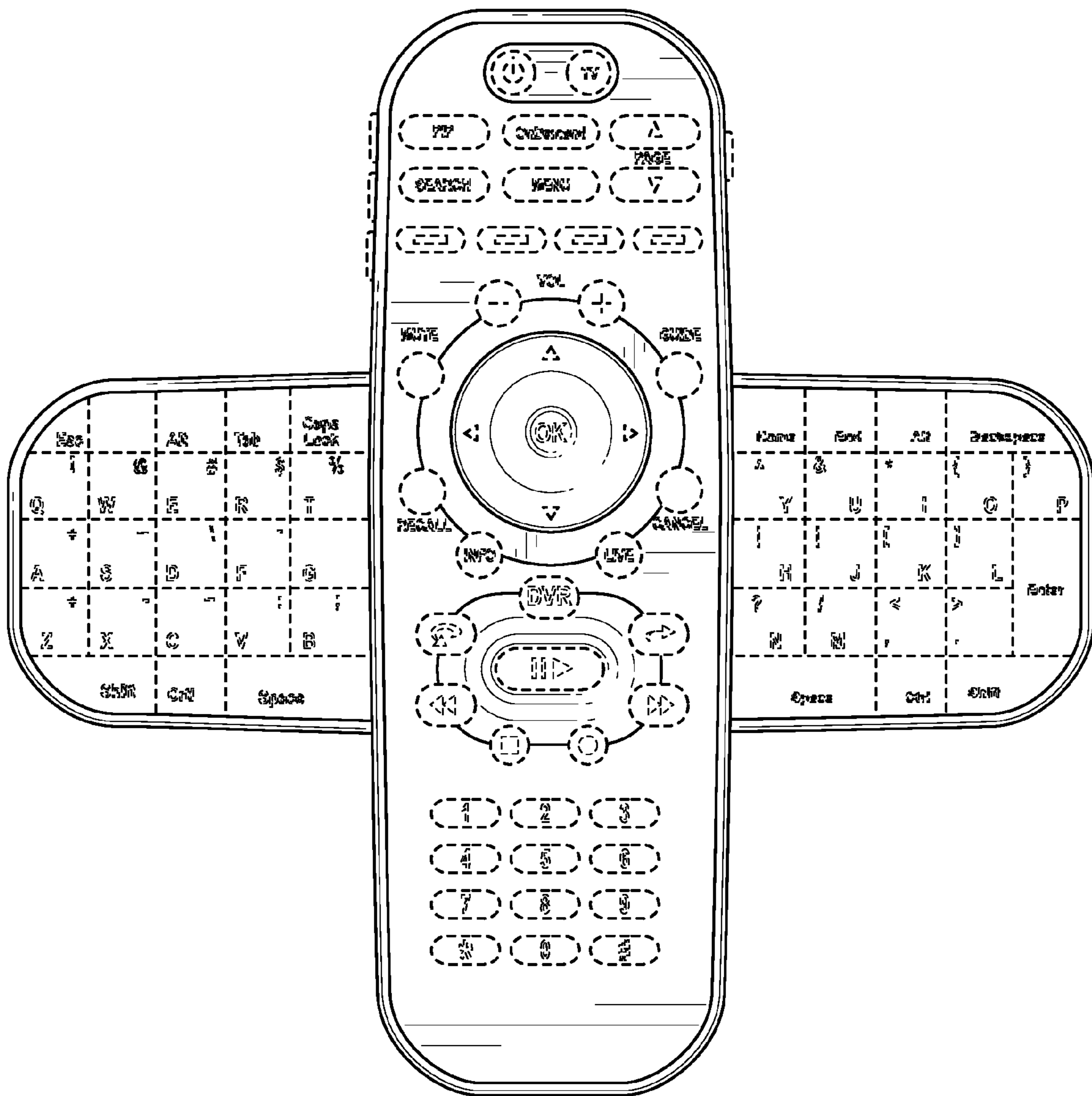


FIG. 6



FIG. 7

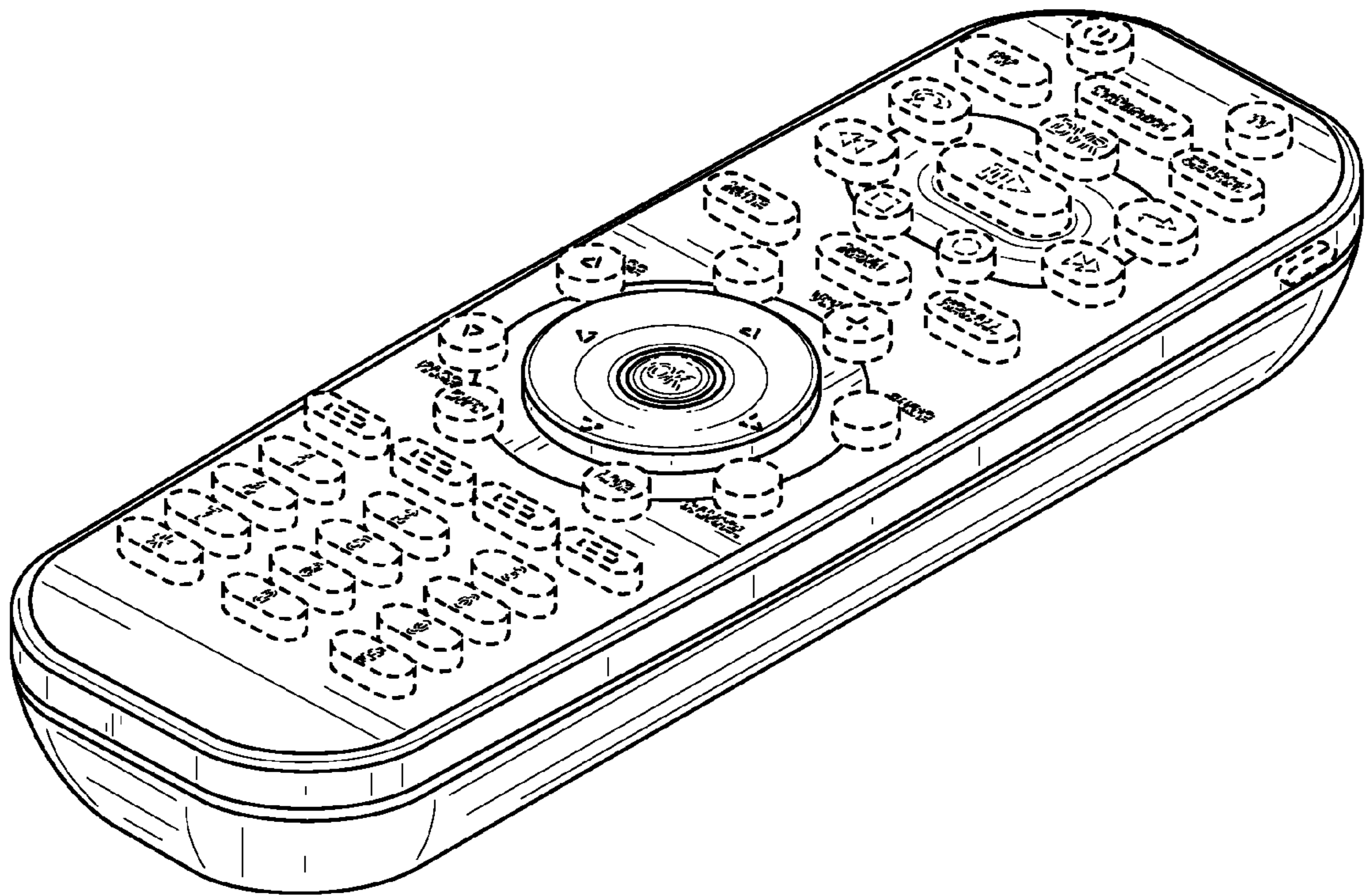


FIG. 8

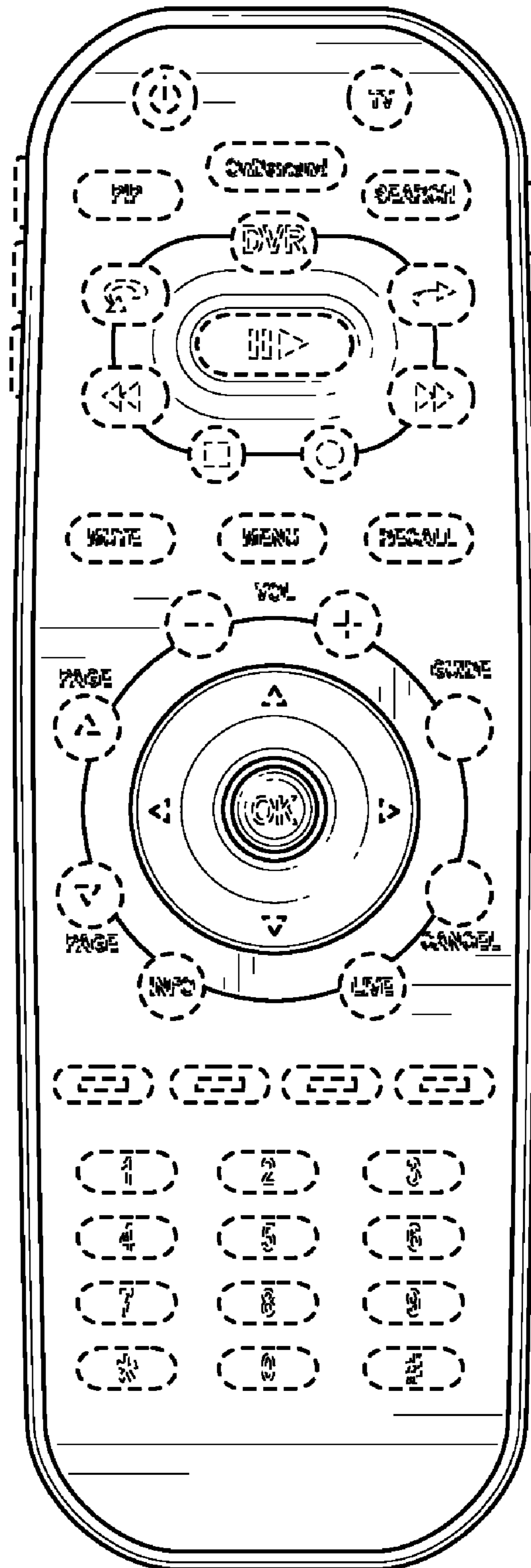


FIG. 9

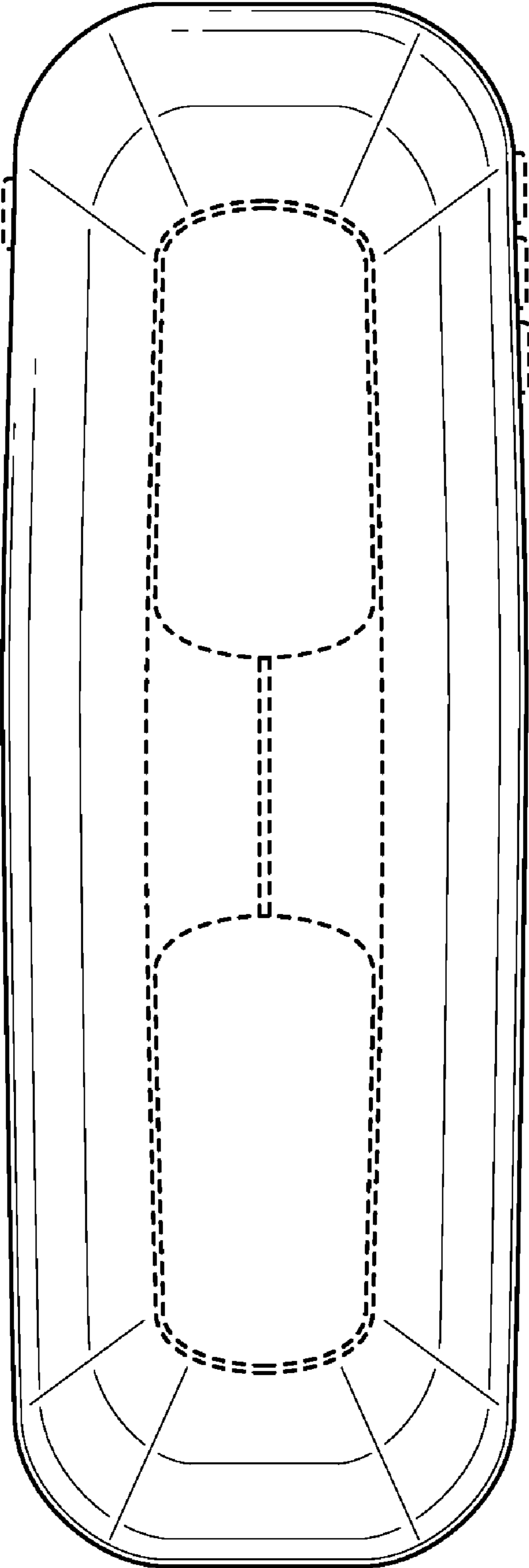


FIG. 10

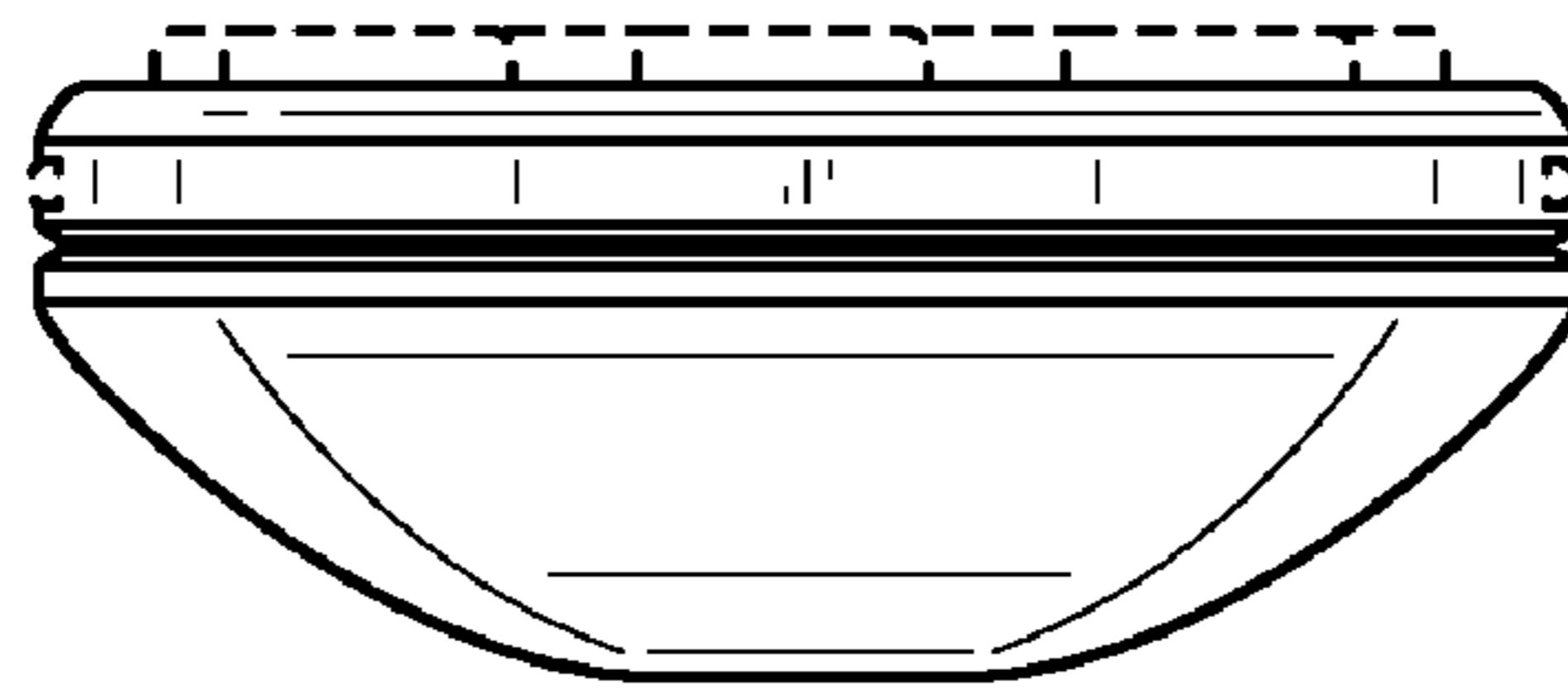


FIG. 11

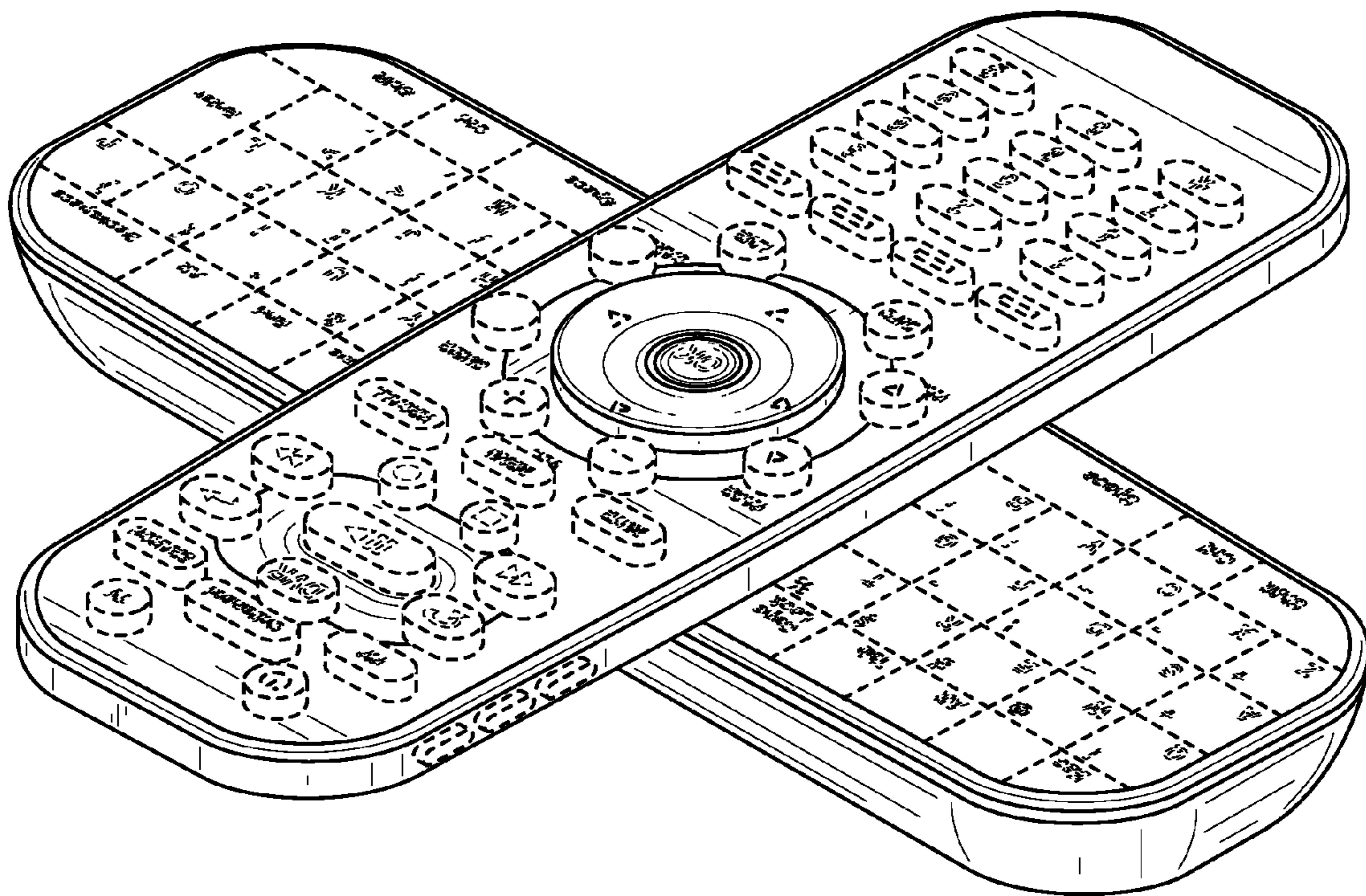


FIG. 12

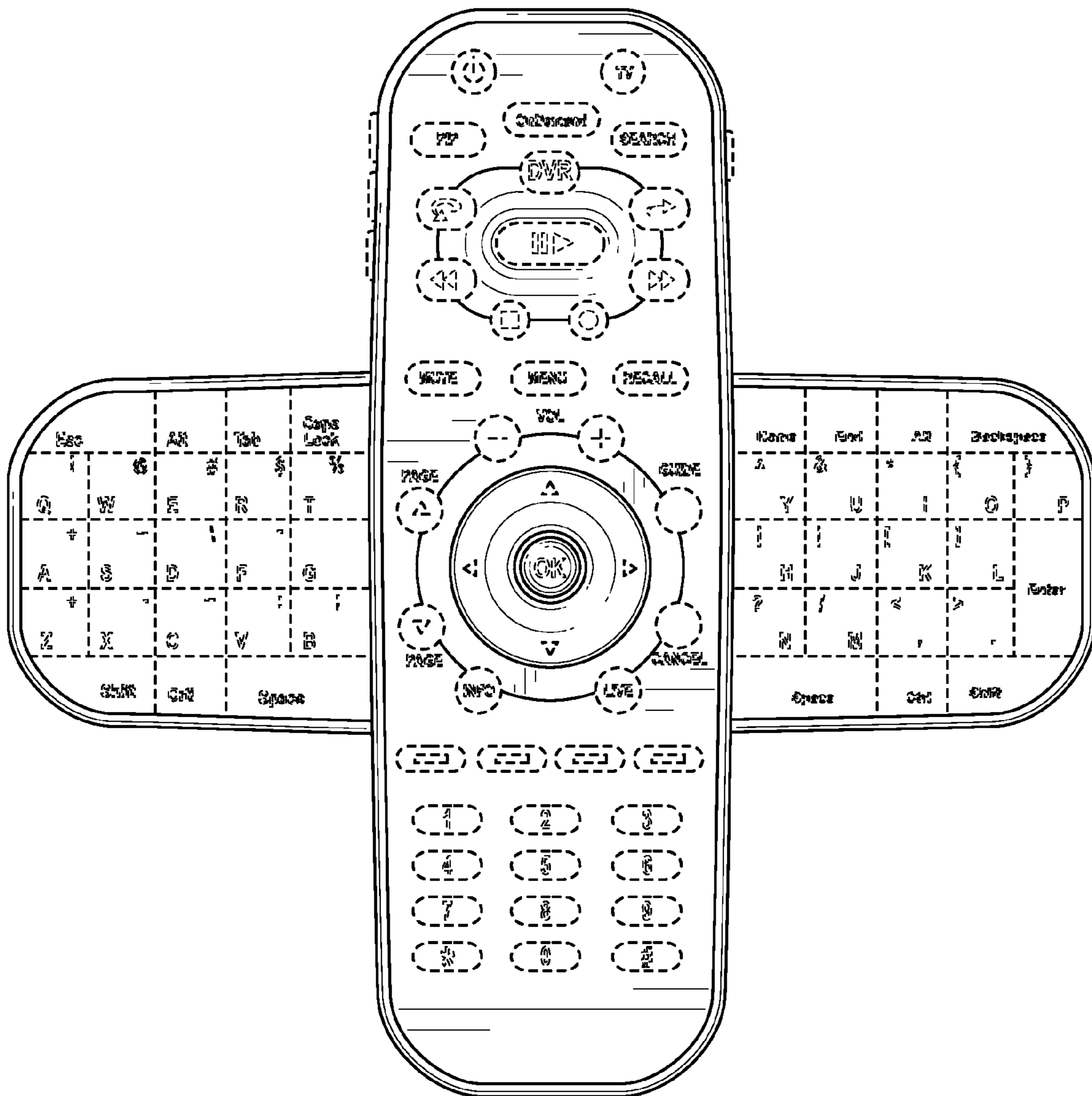


FIG. 13

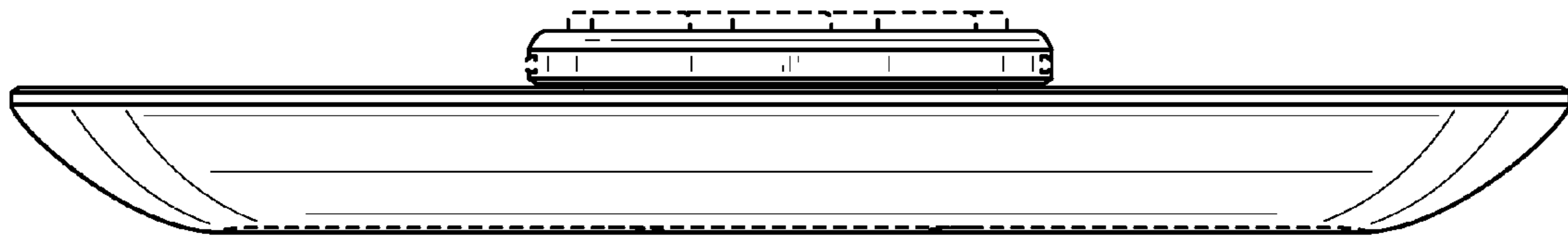


FIG. 14