



US00D628977S

(12) **United States Design Patent**
Katsuno

(10) **Patent No.:** **US D628,977 S**

(45) **Date of Patent:** **** Dec. 14, 2010**

(54) **RADIO RECEIVER**

(75) Inventor: **Keita Katsuno**, Matsudo (JP)

(73) Assignee: **Clarion Co., Ltd.**, Tokyo (JP)

(**) Term: **14 Years**

(21) Appl. No.: **29/353,892**

(22) Filed: **Jan. 15, 2010**

(51) **LOC (9) Cl.** **14-03**

(52) **U.S. Cl.** **D14/188**

(58) **Field of Classification Search** D9/137,
D9/155, 160-171, 188, 192-198, 203.1-203.8,
D9/204, 217, 257, 258, 265, 496; 455/344-351;
369/6-12

See application file for complete search history.

(56) **References Cited**

U.S. PATENT DOCUMENTS

D375,956 S *	11/1996	Shintani	D14/197
D416,898 S *	11/1999	Takahashi	D14/188
D417,871 S *	12/1999	Hisatsune	D14/188
D537,433 S *	2/2007	Shimizu	D14/505
D540,288 S *	4/2007	Yoshihara et al.	D14/157

D561,755 S *	2/2008	Riede	D14/257
D590,809 S *	4/2009	Thusbass	D14/188
D598,892 S *	8/2009	Wada et al.	D14/188
D611,059 S *	3/2010	Sugita	D14/505

* cited by examiner

Primary Examiner—Stella M Reid

Assistant Examiner—Keli L Hill

(74) *Attorney, Agent, or Firm*—Oliff & Berridge, PLC

(57) **CLAIM**

The ornamental design for a radio receiver, as shown and described.

DESCRIPTION

FIG. 1 is a perspective view of a radio receiver;

FIG. 2 is a front view thereof;

FIG. 3 is a top view thereof;

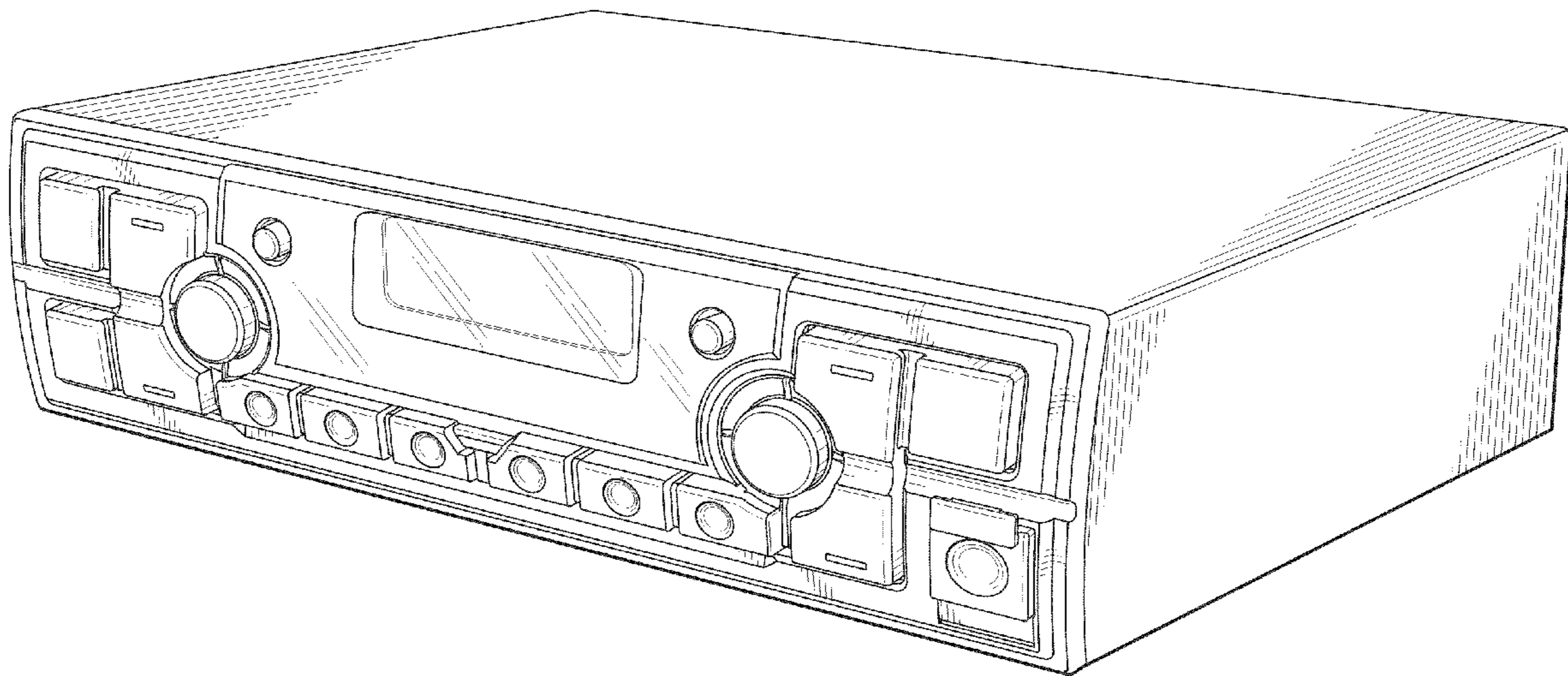
FIG. 4 is a left-side view thereof;

FIG. 5 is a right-side view thereof;

FIG. 6 is a rear view thereof; and,

FIG. 7 is a bottom view thereof.

1 Claim, 6 Drawing Sheets



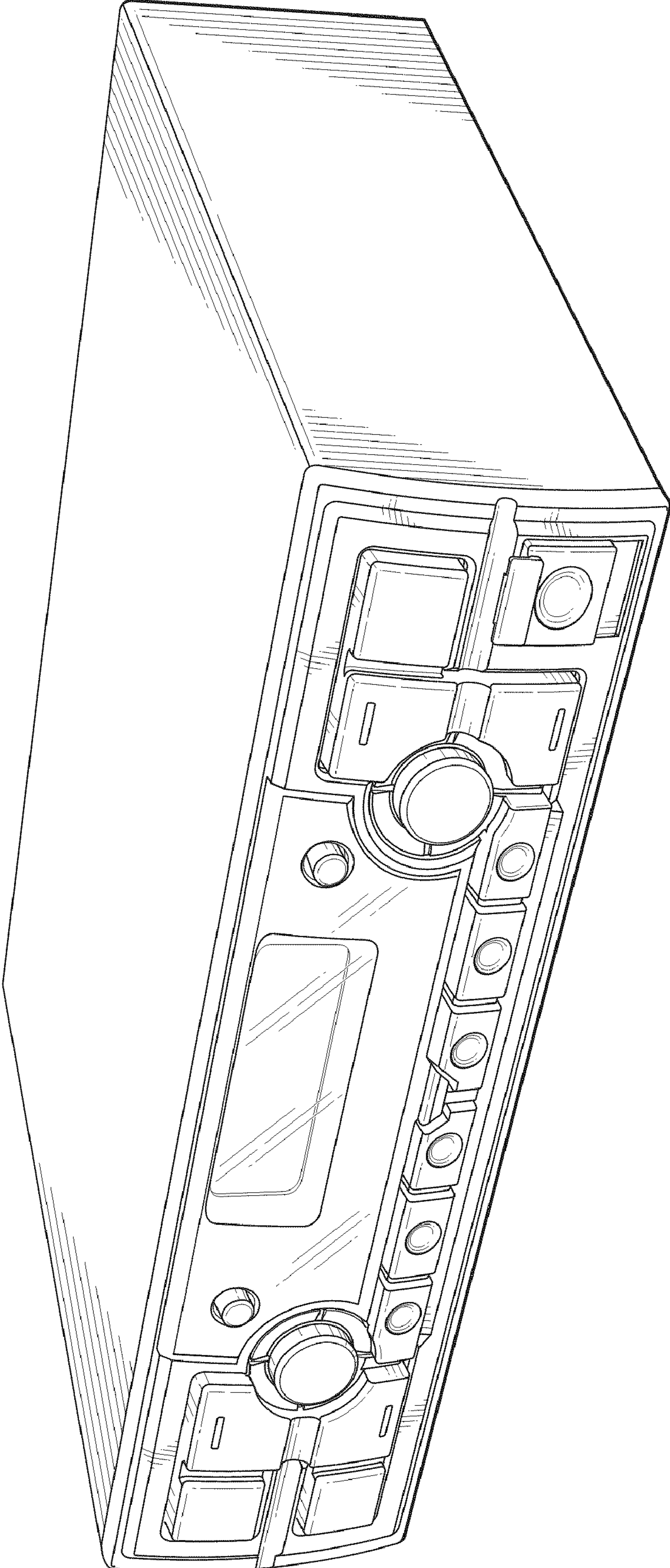


FIG. 1

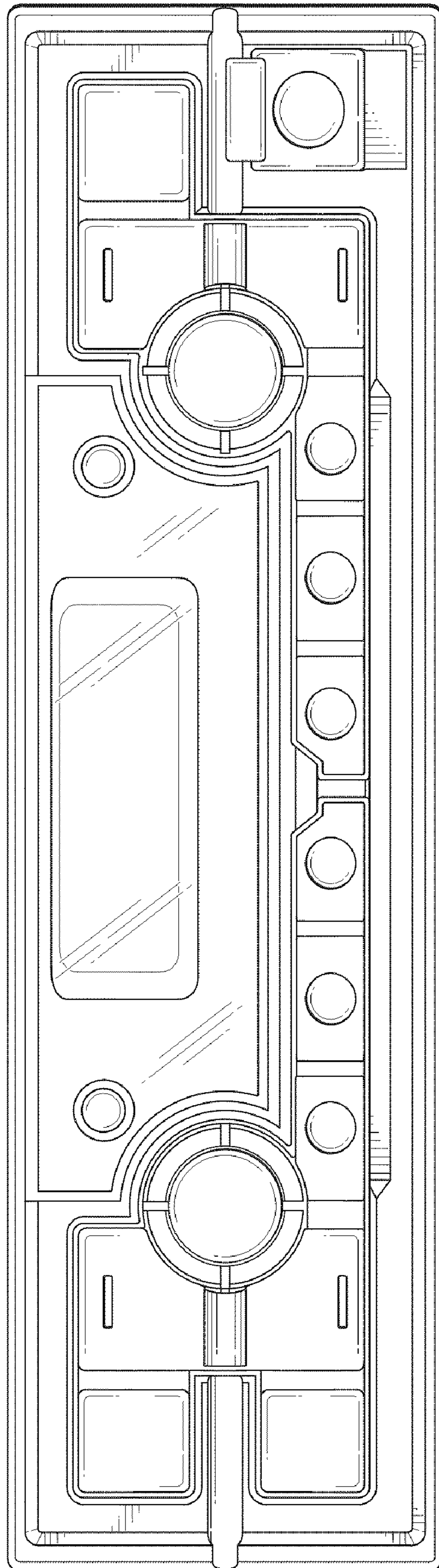


FIG. 2

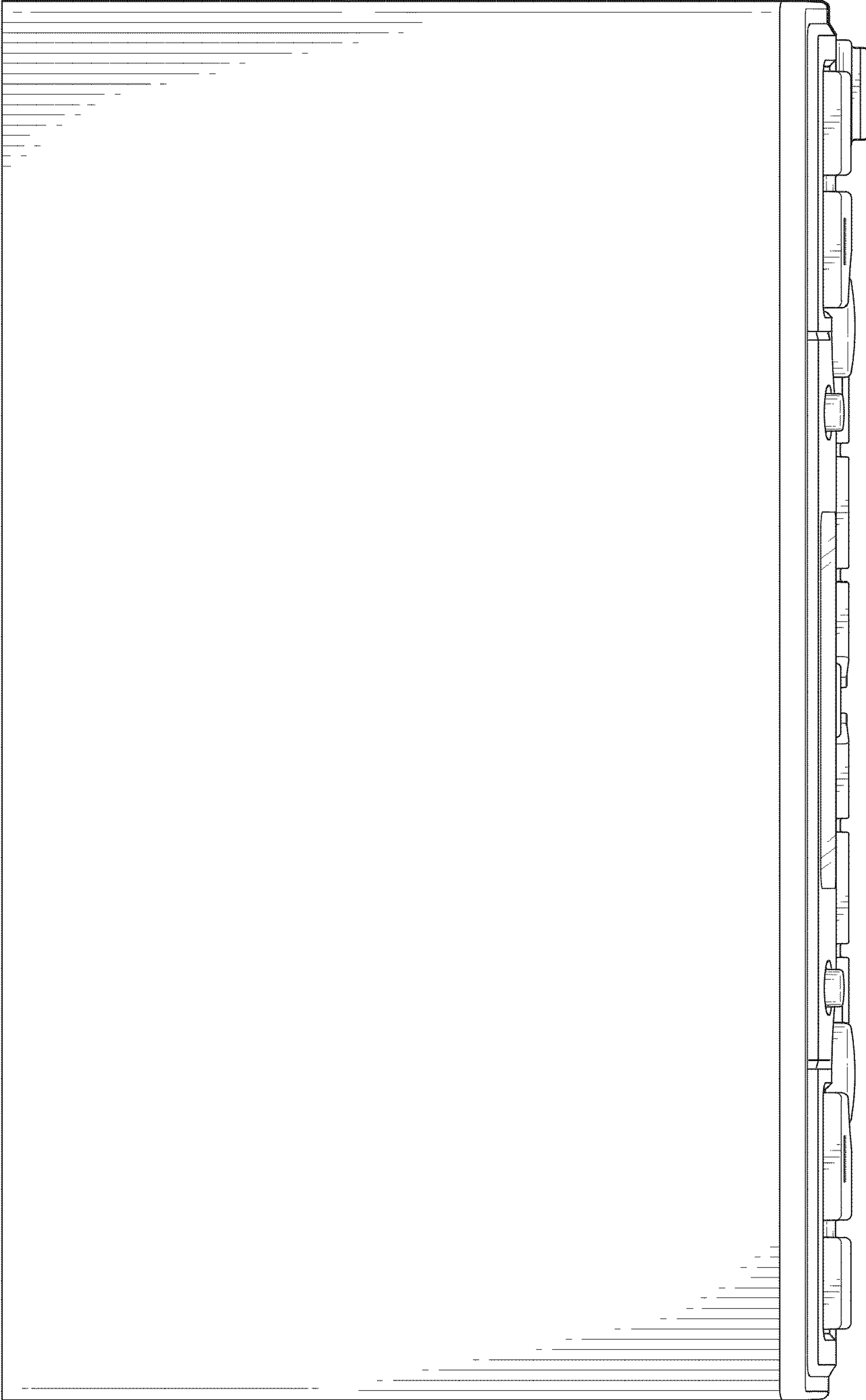


FIG. 3

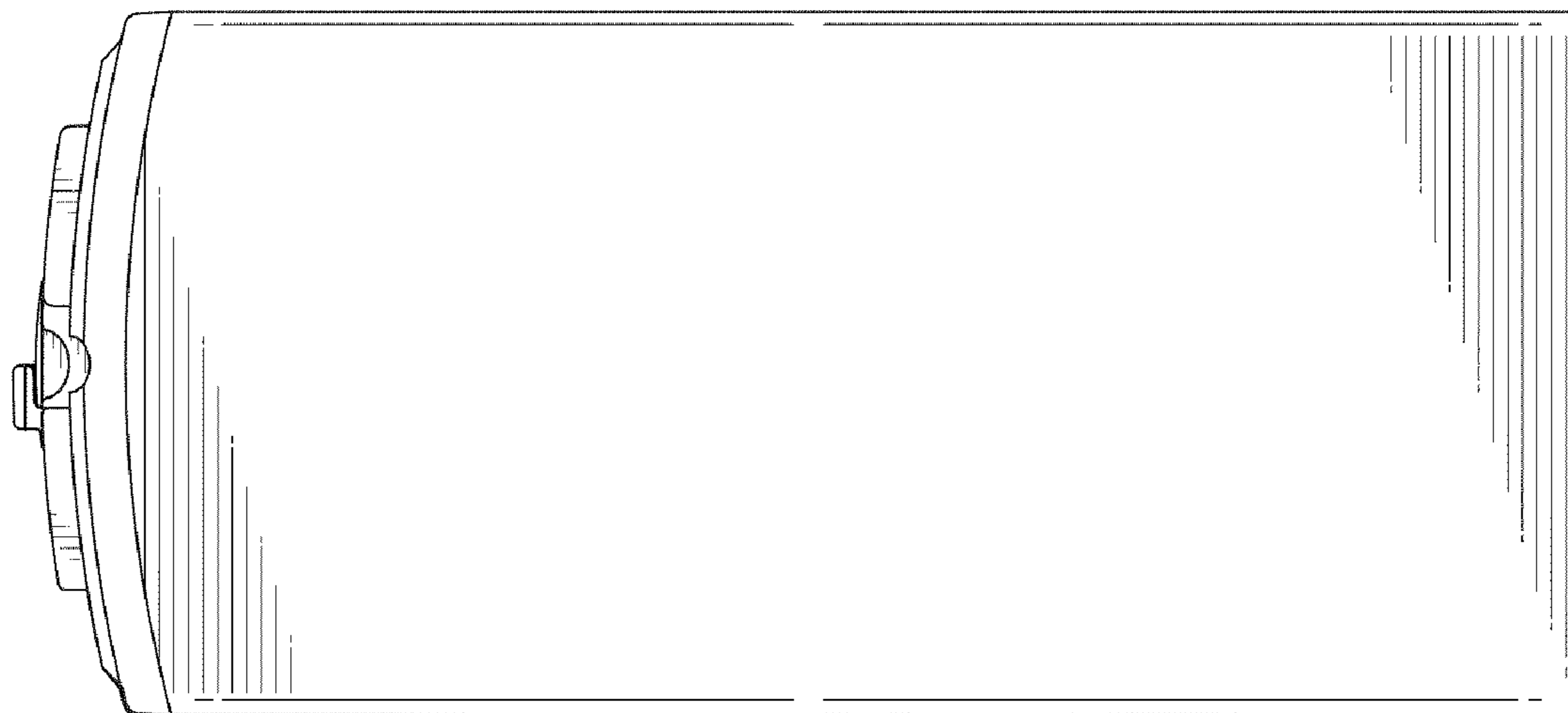


FIG. 4



FIG. 5

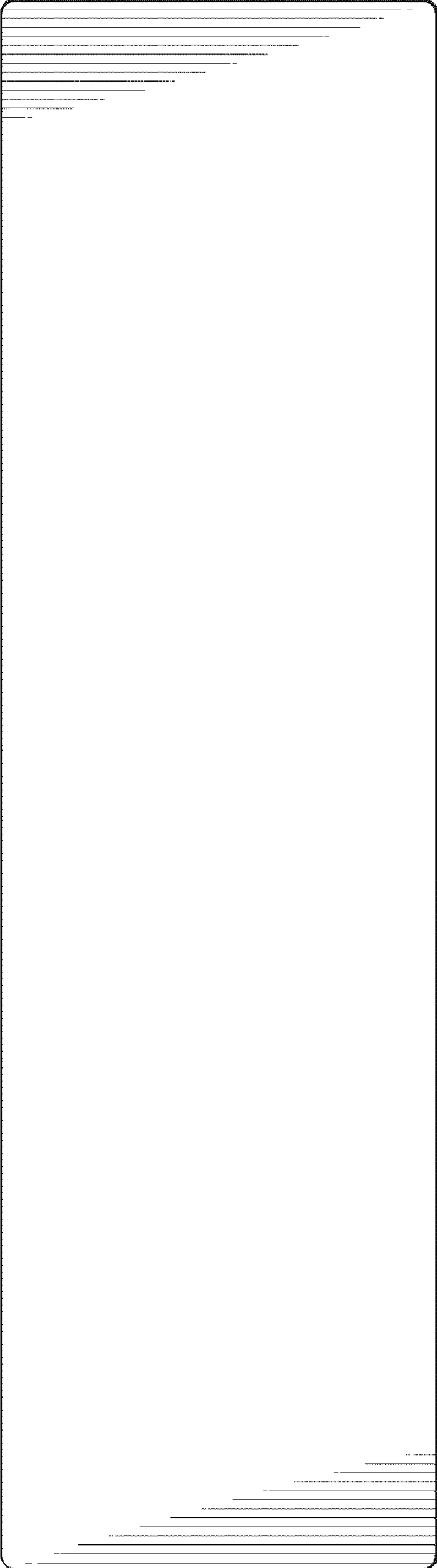


FIG. 6

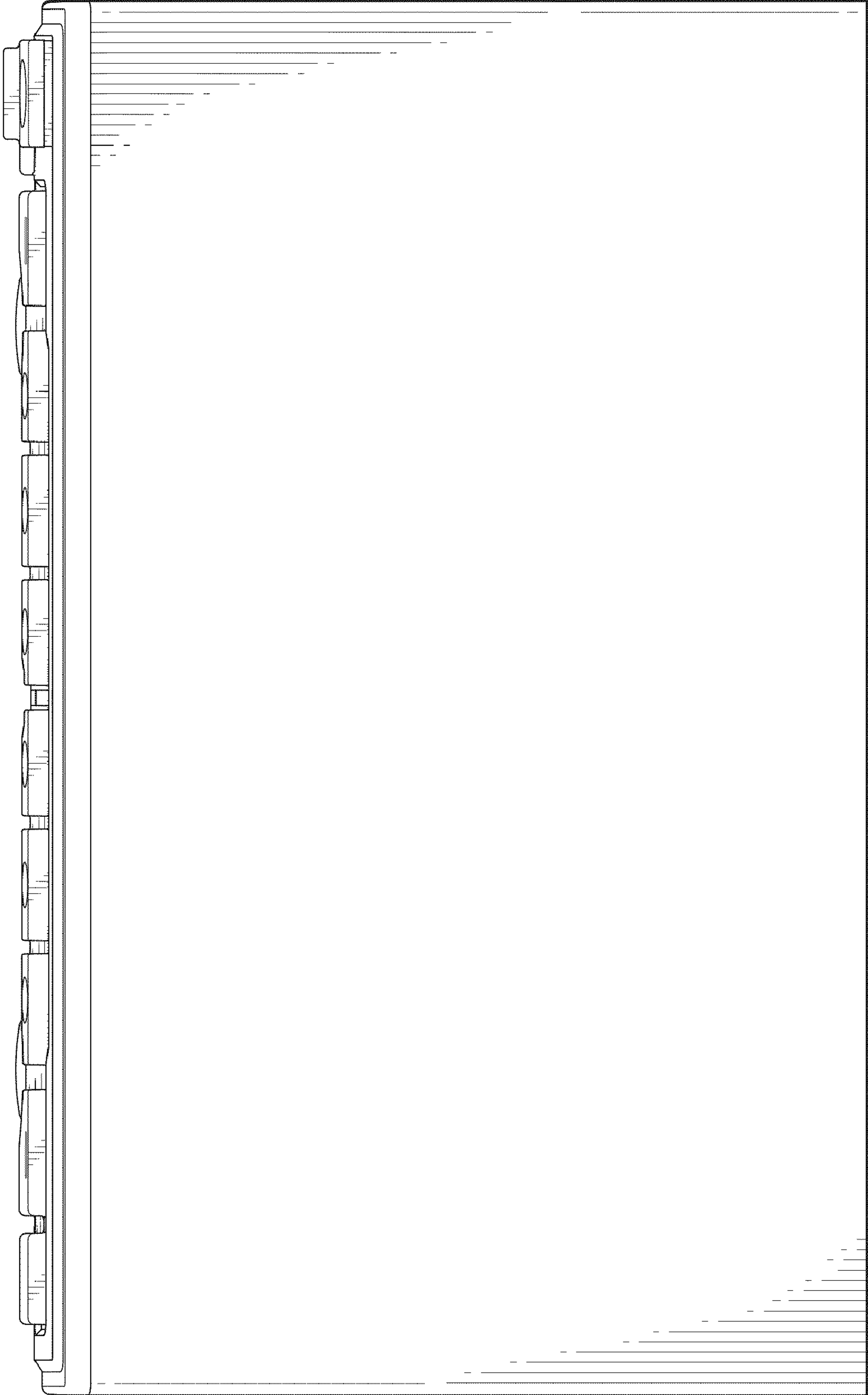


FIG. 7