

US00D628974S

(12) **United States Design Patent**
Park et al.

(10) **Patent No.:** **US D628,974 S**
(45) **Date of Patent:** **** Dec. 14, 2010**

(54) **MOBILE PHONE**

(75) Inventors: **Sang-Sik Park**, Seoul (KR); **Bum-Soo Park**, Gwangmyeong-Si (KR);
Sang-Min Hyun, Seoul (KR)

(73) Assignee: **Samsung Electronics Co., Ltd.** (KR)

(**) Term: **14 Years**

(21) Appl. No.: **29/356,474**

(22) Filed: **Feb. 26, 2010**

(30) **Foreign Application Priority Data**

Jan. 8, 2010 (KR) 30-2010-0000609

(51) **LOC (9) Cl.** **14-03**

(52) **U.S. Cl.** **D14/138 AD**

(58) **Field of Classification Search** D14/138 R,
D14/138 AD, 138 AC, 138 C, 138 G, 191,
D14/203.1–203.8, 496, 138 AA, 138 AB,
D14/247–248, 137, 147, 218, 341–347; D10/65,
D10/78, 104; D13/168; D18/7; 455/566,
455/575.1, 575.3

See application file for complete search history.

(56) **References Cited**

U.S. PATENT DOCUMENTS

- 6,256,019 B1 * 7/2001 Allport 345/169
- D498,754 S * 11/2004 Blyth D14/341
- D511,342 S * 11/2005 Chien D14/346
- D531,156 S * 10/2006 Ahn et al. D14/138 C
- D555,134 S * 11/2007 Sung et al. D14/138 AC
- D559,220 S * 1/2008 Lee et al. D14/138 AD
- D560,192 S * 1/2008 Lee et al. D14/138 AD
- D568,862 S * 5/2008 Kim et al. D14/138 AB
- 7,395,096 B2 * 7/2008 Baratono et al. 455/569.1
- D580,430 S * 11/2008 Wei D14/341
- D591,739 S * 5/2009 Matsuoka D14/341
- D606,958 S * 12/2009 Knoppert et al. D14/138 AD

- D609,210 S * 2/2010 Sohn et al. D14/138 AD
- D611,025 S * 3/2010 Yu D14/138 G
- 7,738,918 B2 * 6/2010 Lapstun et al. 455/556.1
- 2006/0063571 A1 * 3/2006 Chadha 455/575.3
- 2006/0142074 A1 * 6/2006 Impio et al. 455/575.4
- 2006/0223596 A1 * 10/2006 Hur 455/575.4
- 2008/0004085 A1 * 1/2008 Jung et al. 455/566

(Continued)

OTHER PUBLICATIONS

Samsung B3310, announced Aug. 2009, [online], [retrieved on Sep. 4, 2009]. Retrieved from Internet ,<URL: <http://www.gsmarena.com>>.*

Primary Examiner—Bridget L Eland

(74) *Attorney, Agent, or Firm*—NSIP Law

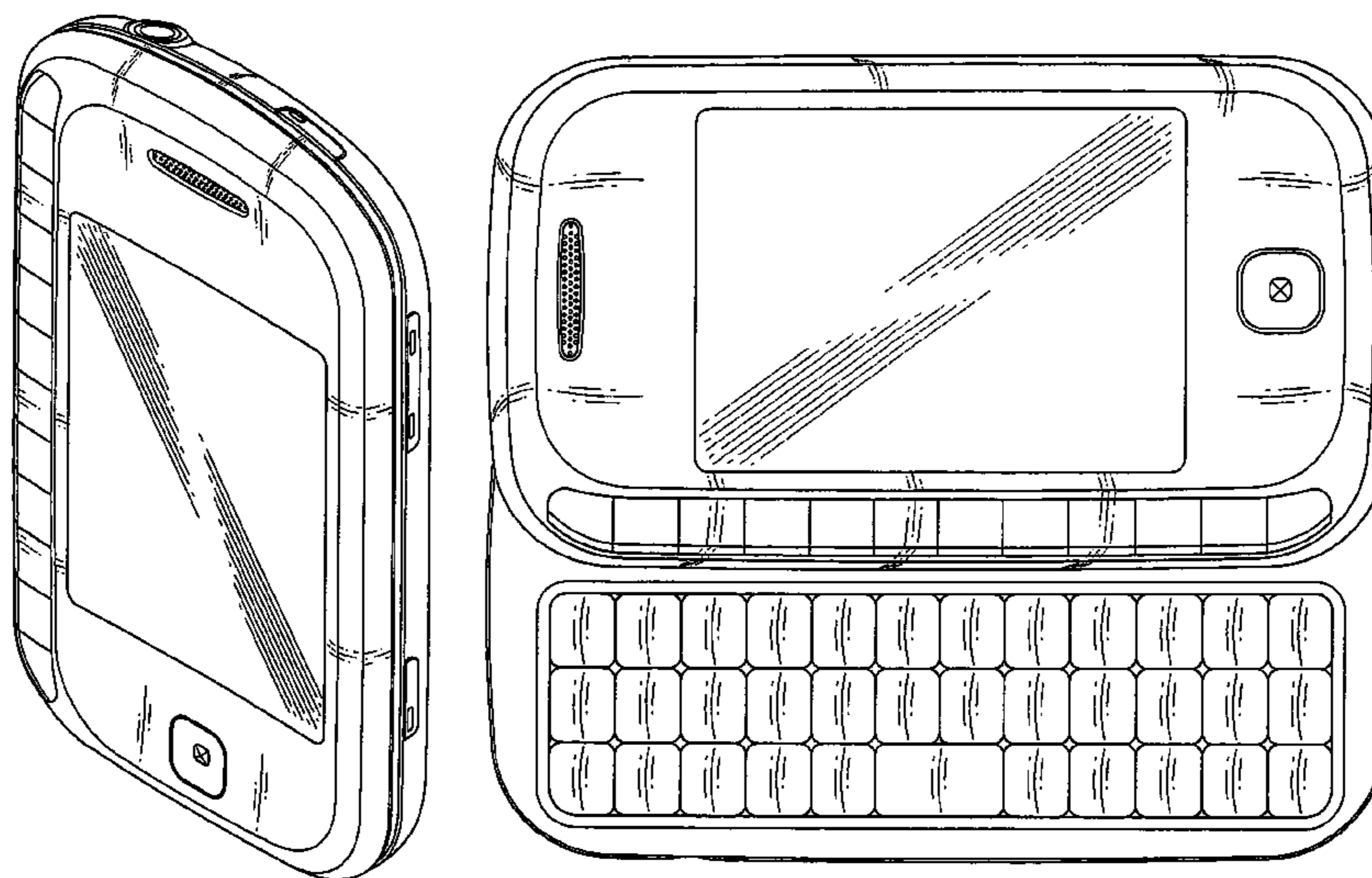
(57) **CLAIM**

The ornamental design for a mobile phone, as shown and described.

DESCRIPTION

FIG. 1 is a perspective view of a mobile phone;
 FIG. 2 is a front view of the mobile phone of FIG. 1;
 FIG. 3 is a rear view of the mobile phone of FIG. 1;
 FIG. 4 is a left-side view of the mobile phone of FIG. 1;
 FIG. 5 is a right-side view of the mobile phone of FIG. 1;
 FIG. 6 is a top plan view of the mobile phone of FIG. 1;
 FIG. 7 is a bottom plan view of the mobile phone of FIG. 1;
 and,
 FIG. 8 is an open view of the mobile phone of FIG. 1.

1 Claim, 6 Drawing Sheets



US D628,974 S

Page 2

U.S. PATENT DOCUMENTS

2008/0167095	A1*	7/2008	Kim et al.	455/575.3	2009/0024926	A1*	1/2009	Morotomi	715/716
2008/0274774	A1*	11/2008	Kim	455/575.1	2010/0110011	A1*	5/2010	Milne et al.	345/169

* cited by examiner

FIG. 1

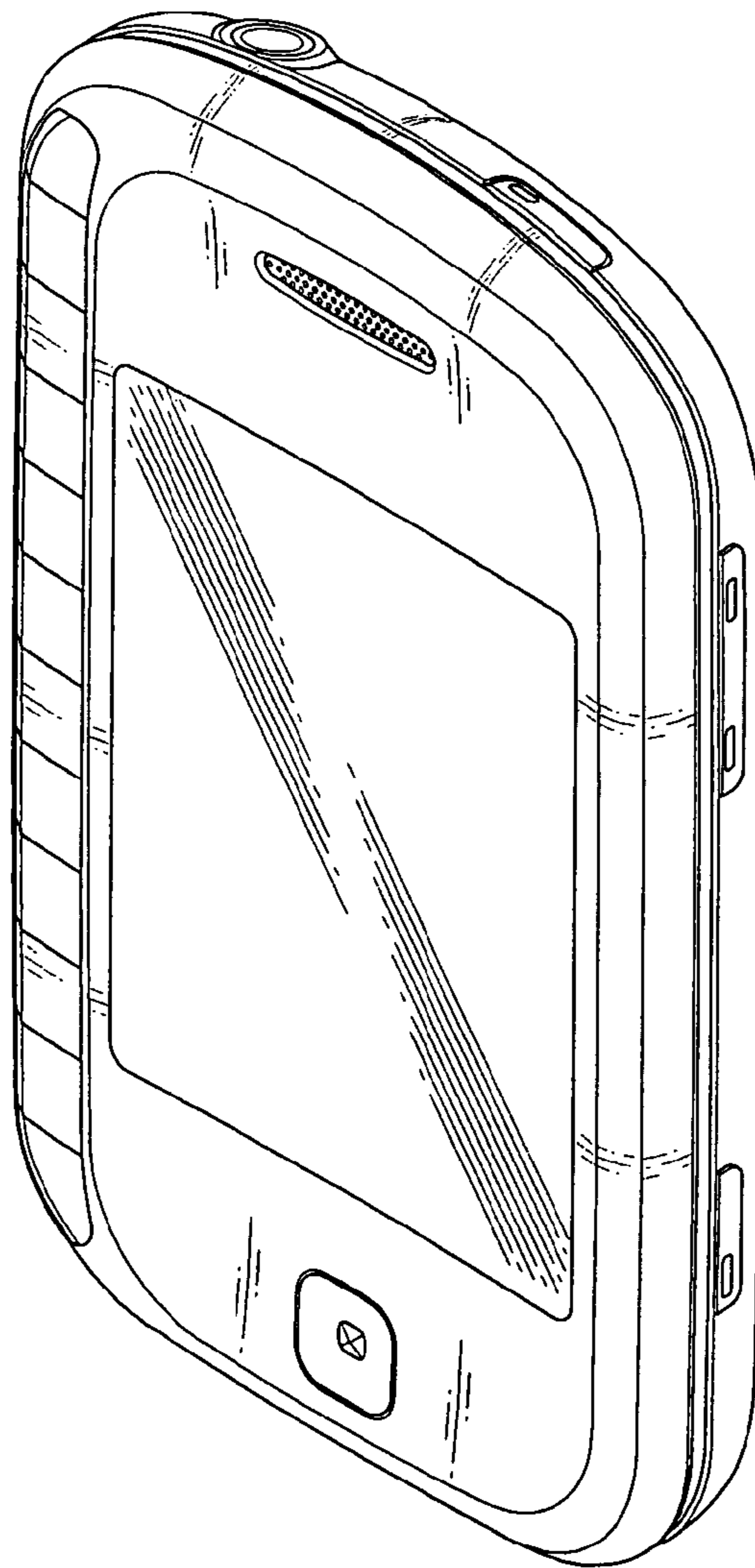


FIG. 2

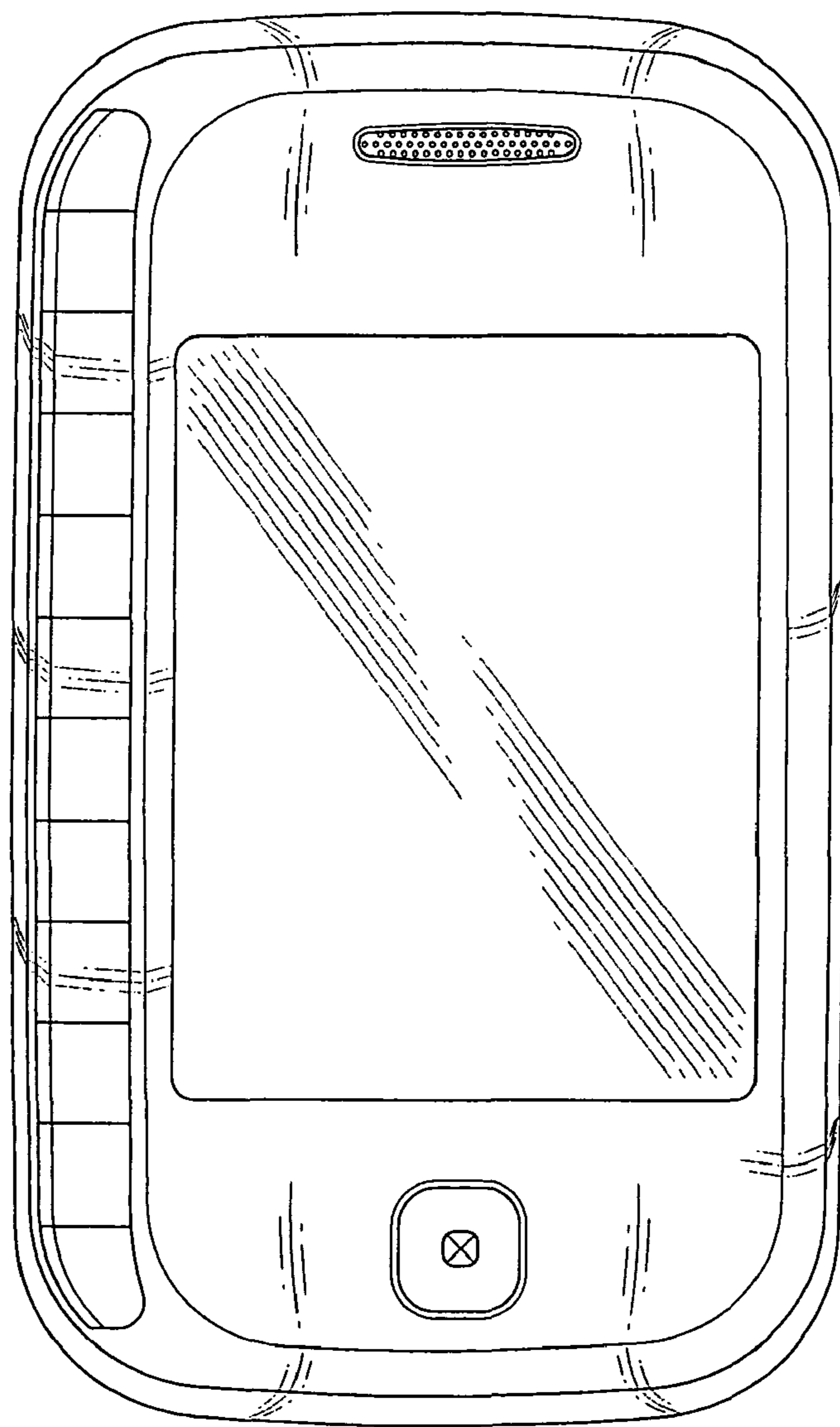


FIG. 3

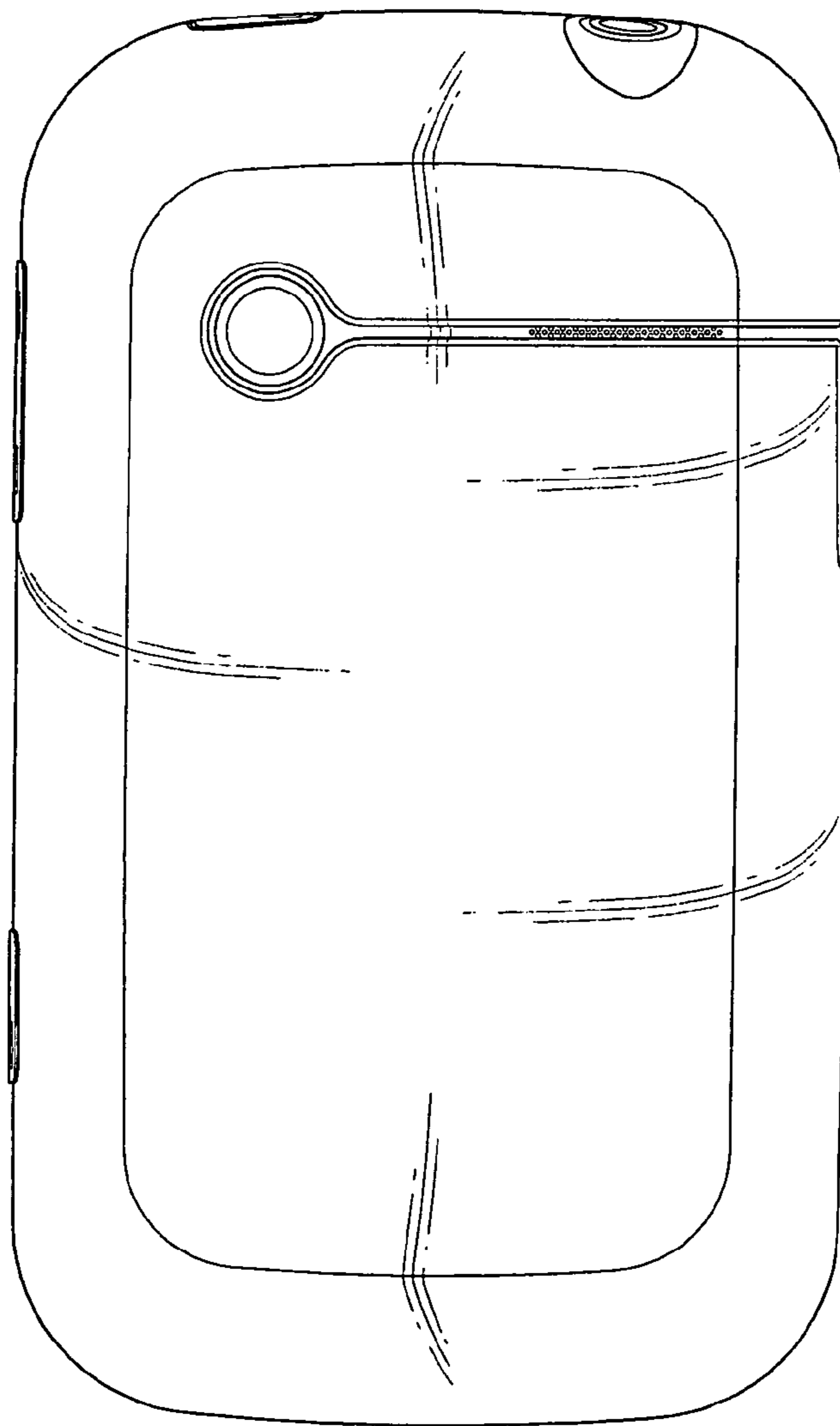


FIG. 4

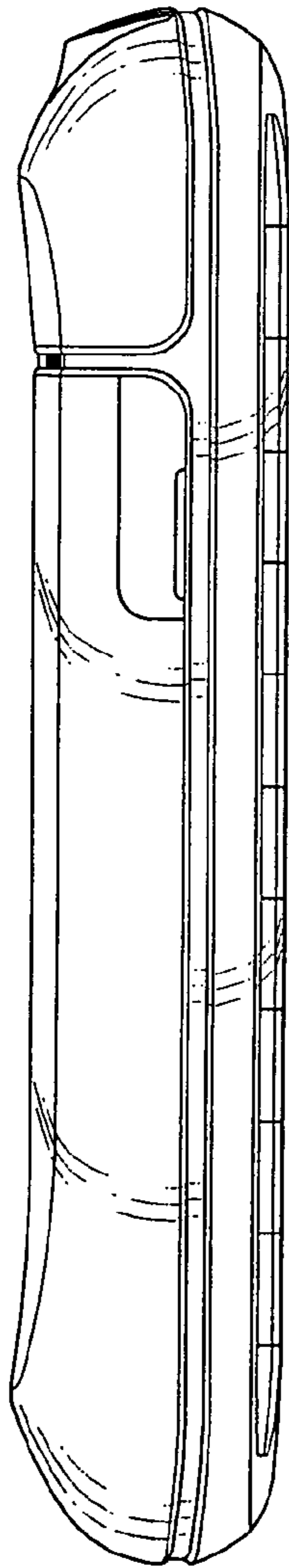


FIG. 5

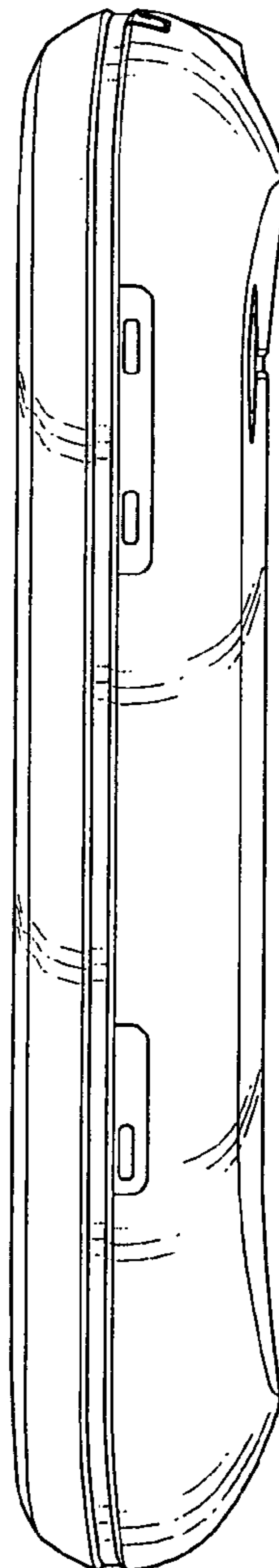


FIG. 6

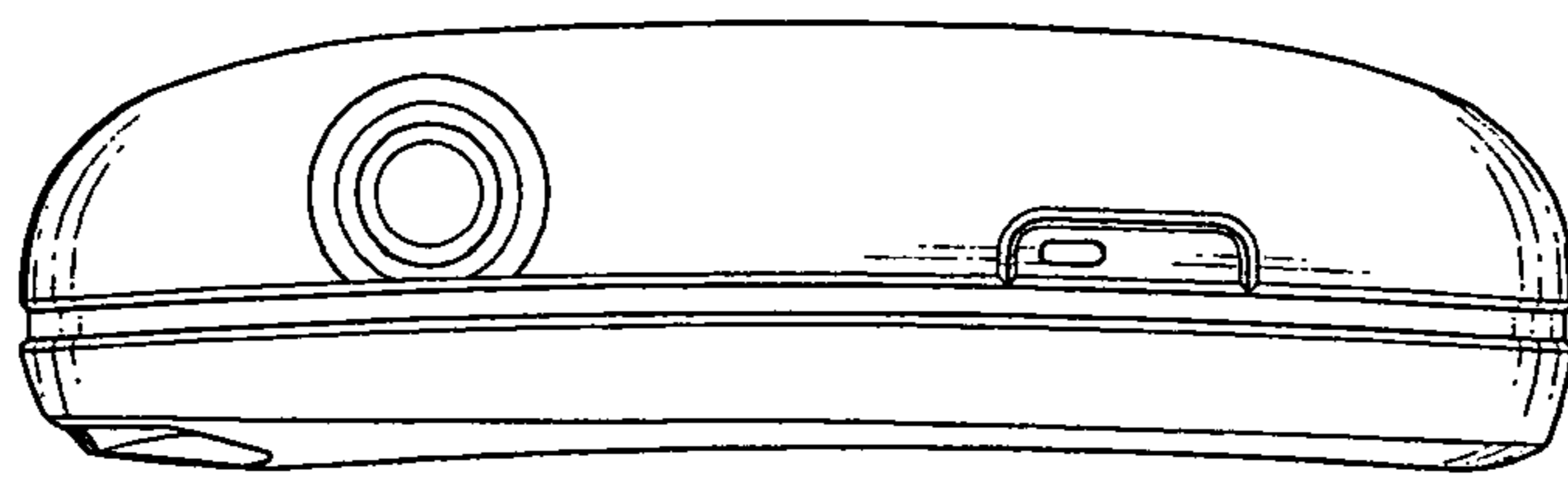


FIG. 7

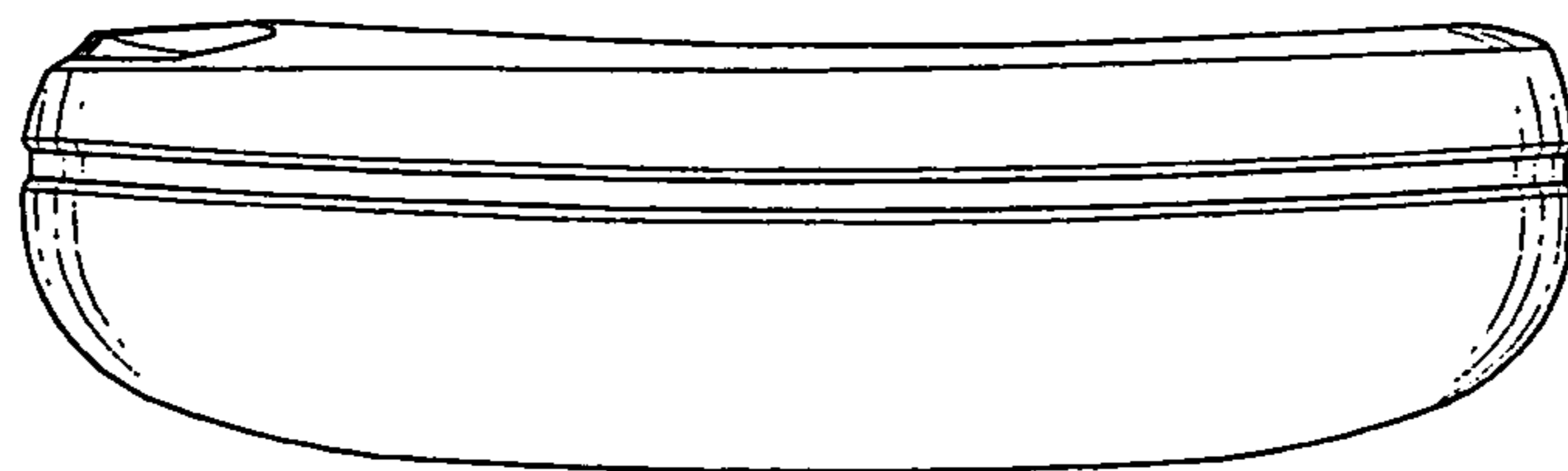


FIG. 8

