

US00D628967S

(12) **United States Design Patent**  
**Theisen et al.**

(10) **Patent No.:** **US D628,967 S**

(45) **Date of Patent:** **\*\* Dec. 14, 2010**

(54) **VERTICAL DRIVER SHROUD**

D555,411 S \* 11/2007 Schneider ..... D7/301  
D590,420 S \* 4/2009 Casalini ..... D15/7

(75) Inventors: **Matthew R. Theisen**, Mahtomedi, MN  
(US); **Alexander James Daeger**,  
Roseville, MN (US)

**OTHER PUBLICATIONS**

Circulation and Supply Pumps, Graco Inc. brochure showing NXT  
Pump on p. 1 which has a similar shroud.

(73) Assignee: **Graco Minnesota Inc.**, Minneapolis,  
MN (US)

\* cited by examiner

(\*\*) Term: **14 Years**

*Primary Examiner*—T. Chase Nelson

*Assistant Examiner*—Ania K Dworzecka

(74) *Attorney, Agent, or Firm*—Douglas B. Farrow

(21) Appl. No.: **29/351,183**

(22) Filed: **Dec. 1, 2009**

(57) **CLAIM**

The ornamental design for the vertical driver shroud, as  
shown and described.

(51) **LOC (9) Cl.** ..... **13-99**

(52) **U.S. Cl.** ..... **D13/199**

(58) **Field of Classification Search** ..... D13/184,  
D13/199, 133, 152, 162, 162.1, 163, 177,  
D13/145, 139.5, 139.4, 139.3, 112; D14/239,  
D14/331-337, 371, 217, 391-400, 199; 174/50;  
D23/225; D15/7; 248/218.4

**DESCRIPTION**

FIG. 1 is a front isometric view of a vertical driver shroud  
showing our new design;

FIG. 2 is a top plan view thereof;

FIG. 3 is a front elevation view thereof;

FIG. 4 is a right side elevation view thereof, the left side is a  
mirror image of the right side;

FIG. 5 is a rear elevation view thereof; and,

FIG. 6 is a bottom plan view thereof.

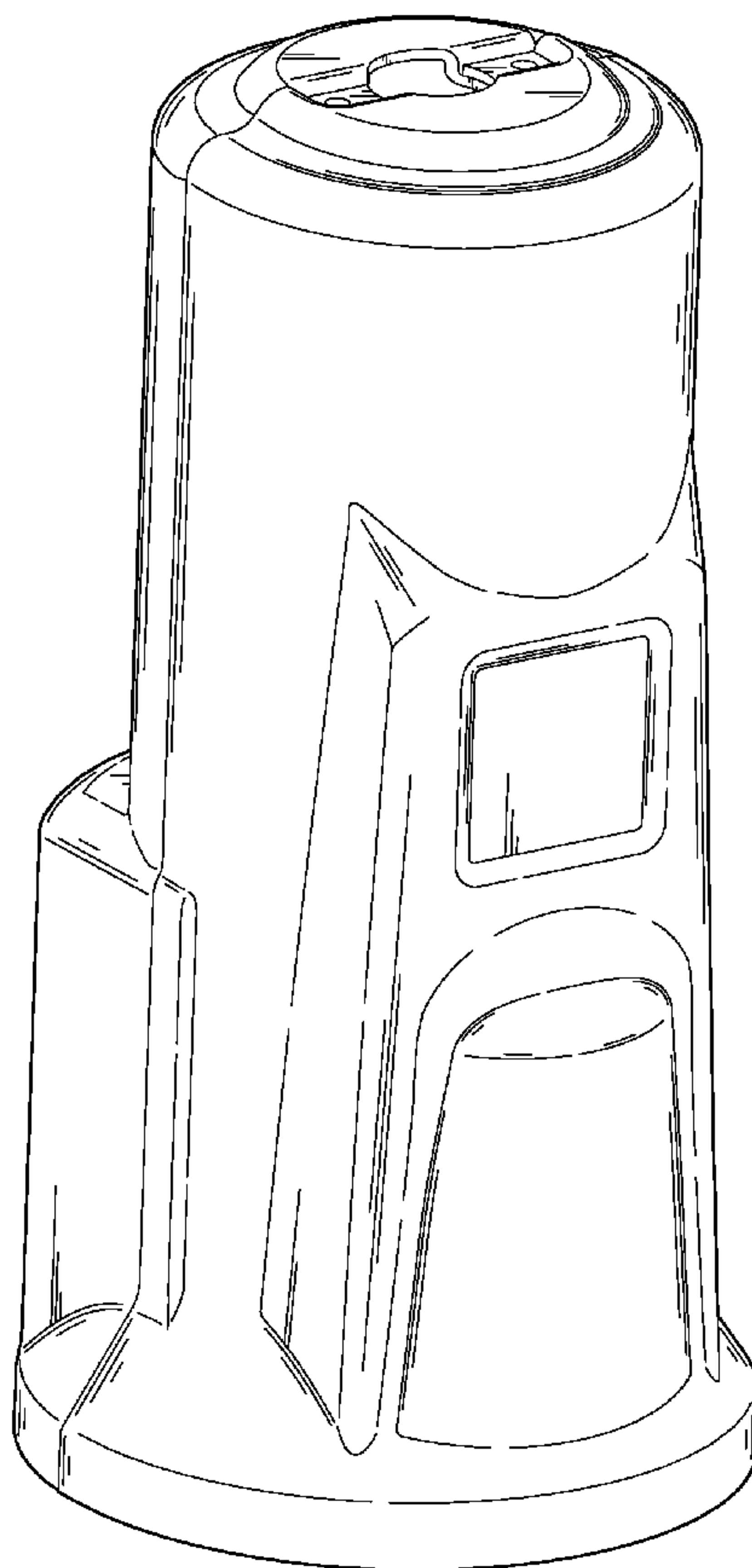
See application file for complete search history.

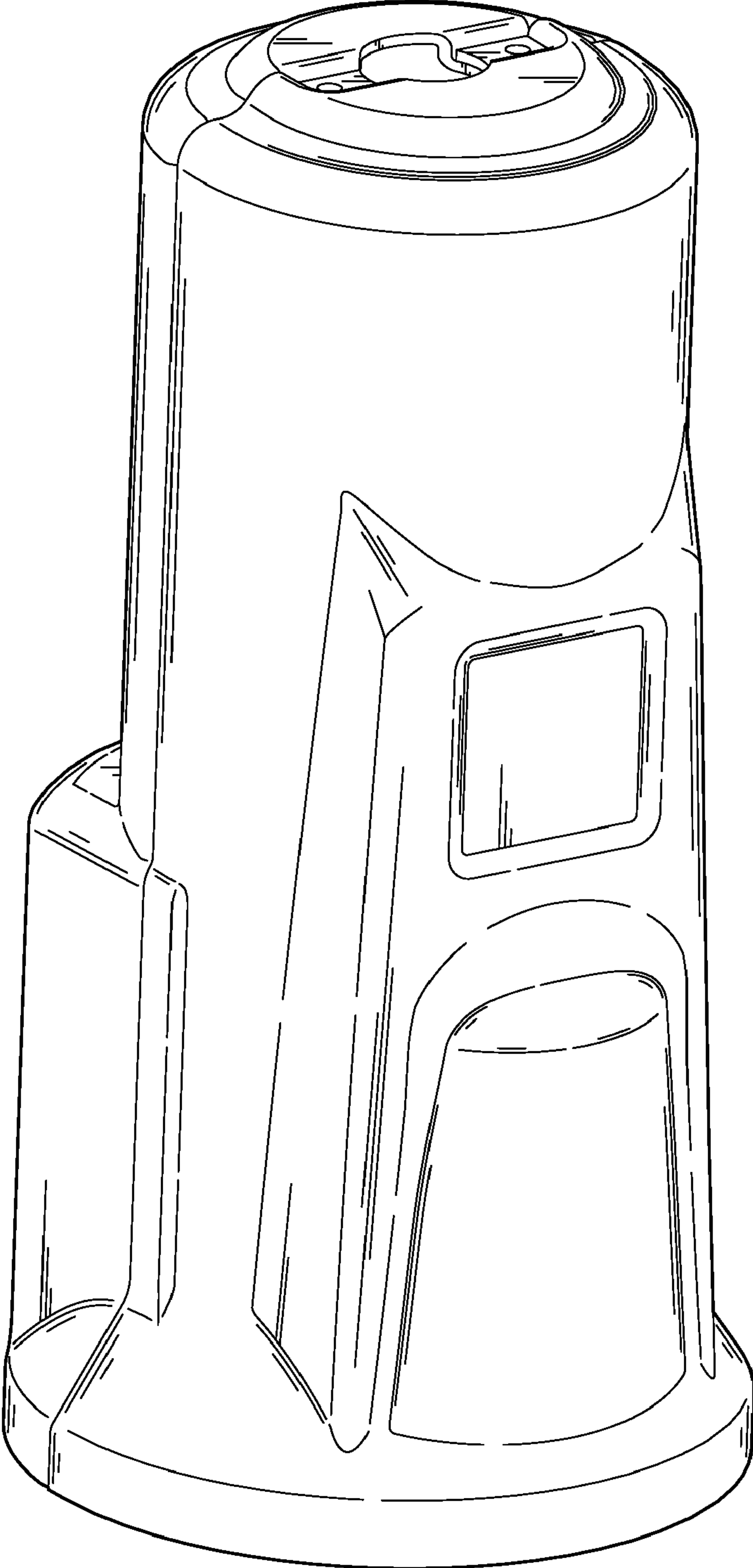
(56) **References Cited**

**U.S. PATENT DOCUMENTS**

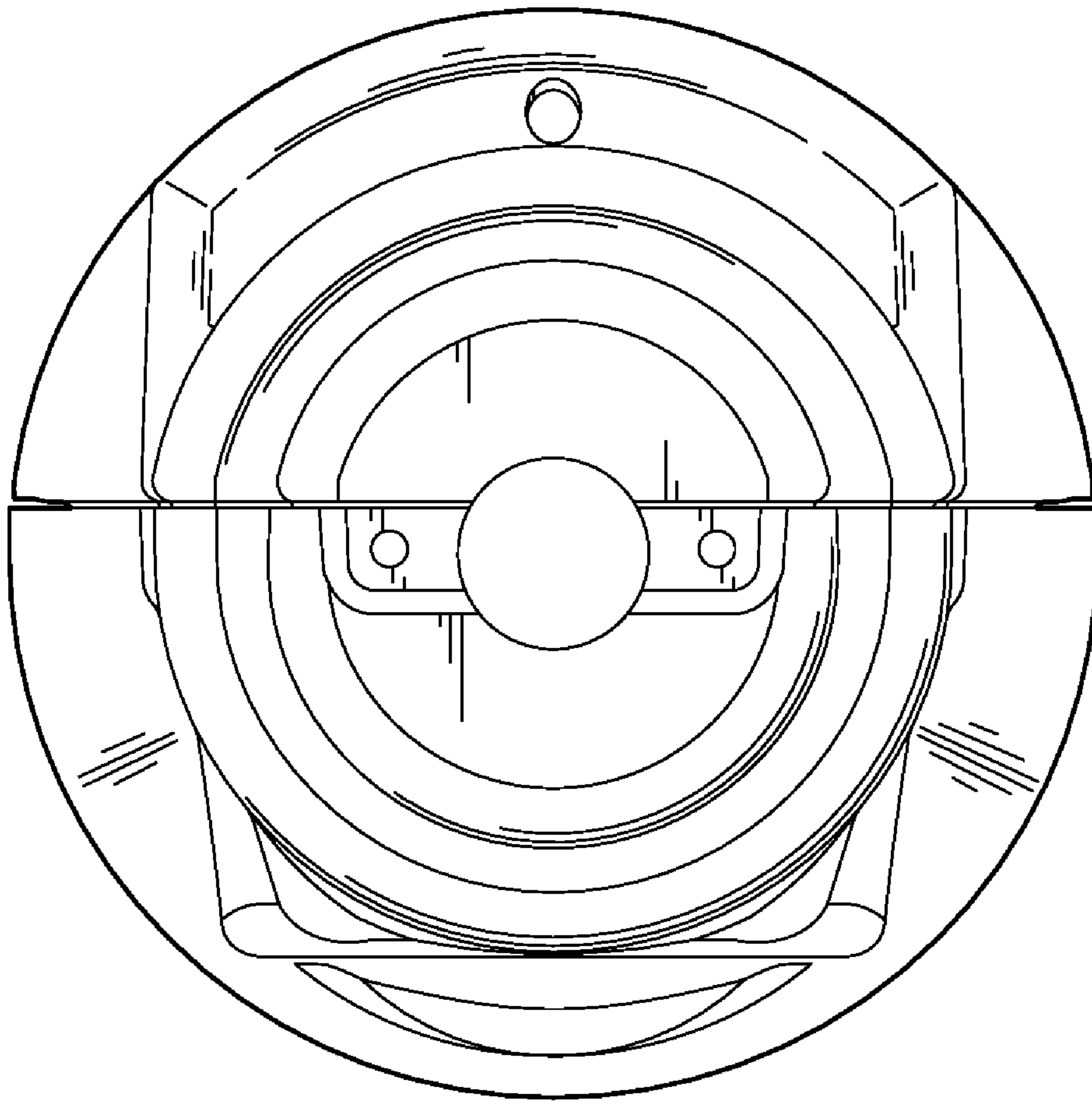
D250,263 S \* 11/1978 De Zinno ..... D14/239  
4,158,102 A \* 6/1979 Bright ..... 174/37  
D436,101 S \* 1/2001 McGovern et al. .... D14/140.5

**1 Claim, 6 Drawing Sheets**

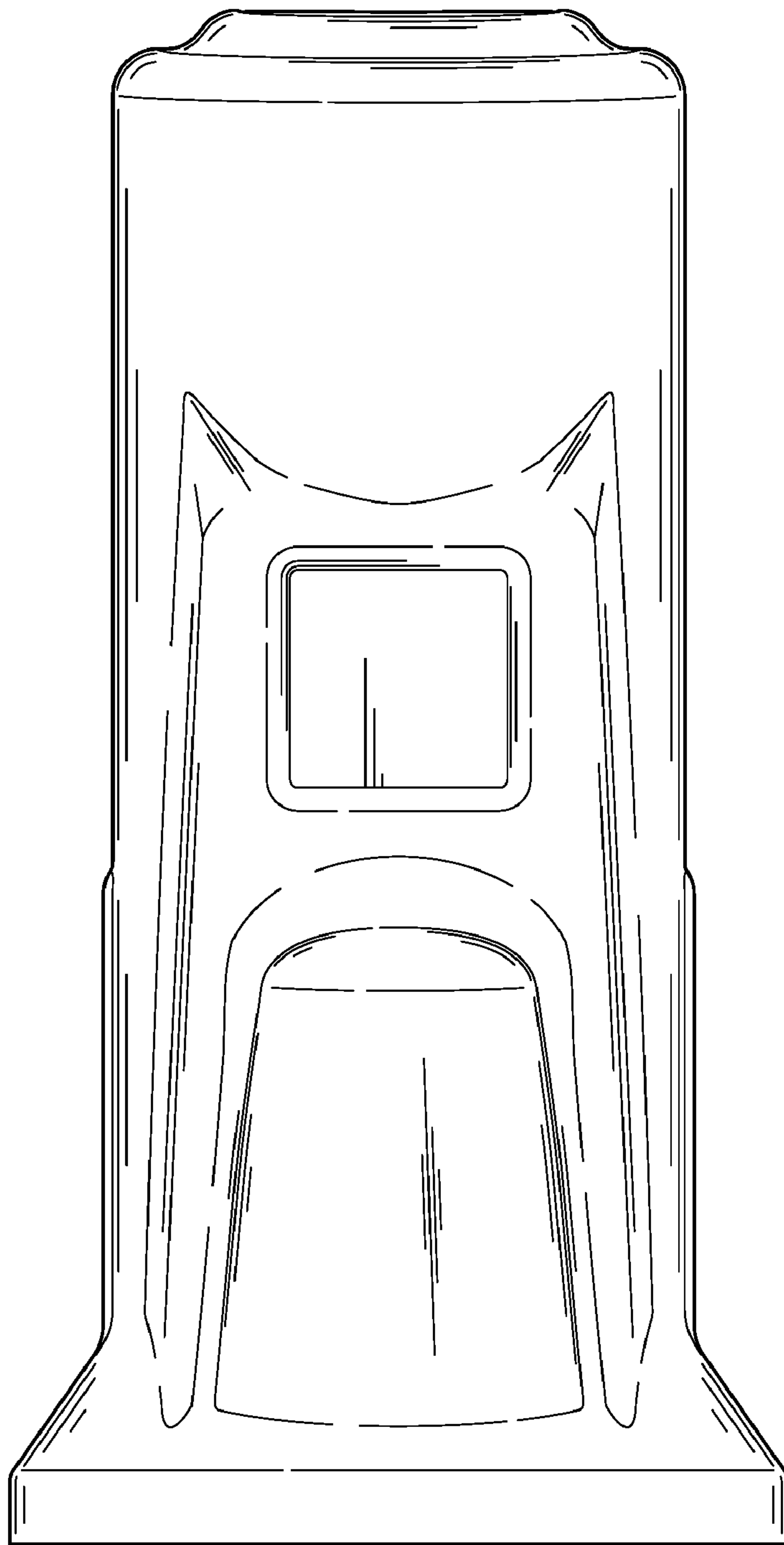




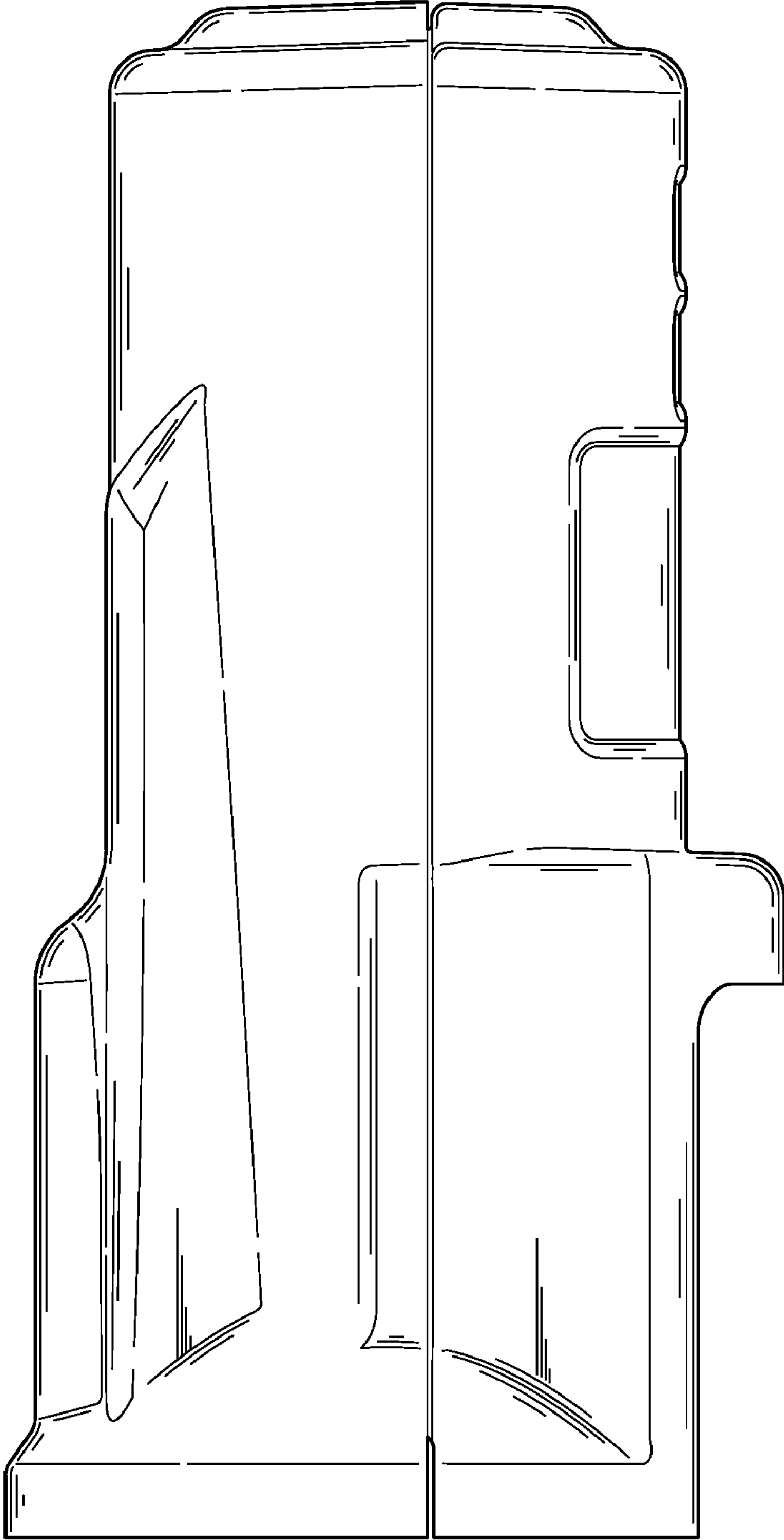
**FIG. 1**



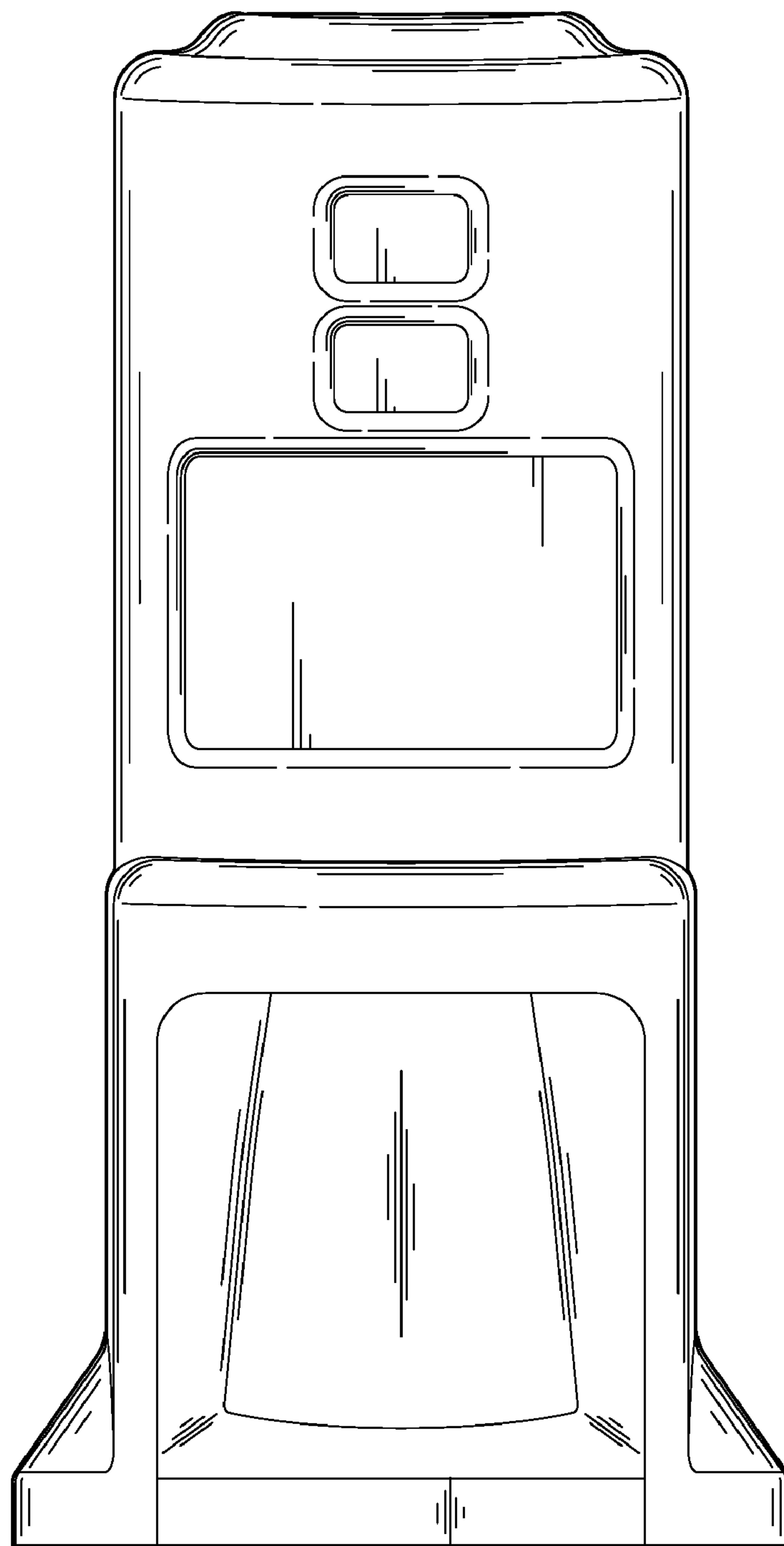
**FIG. 2**



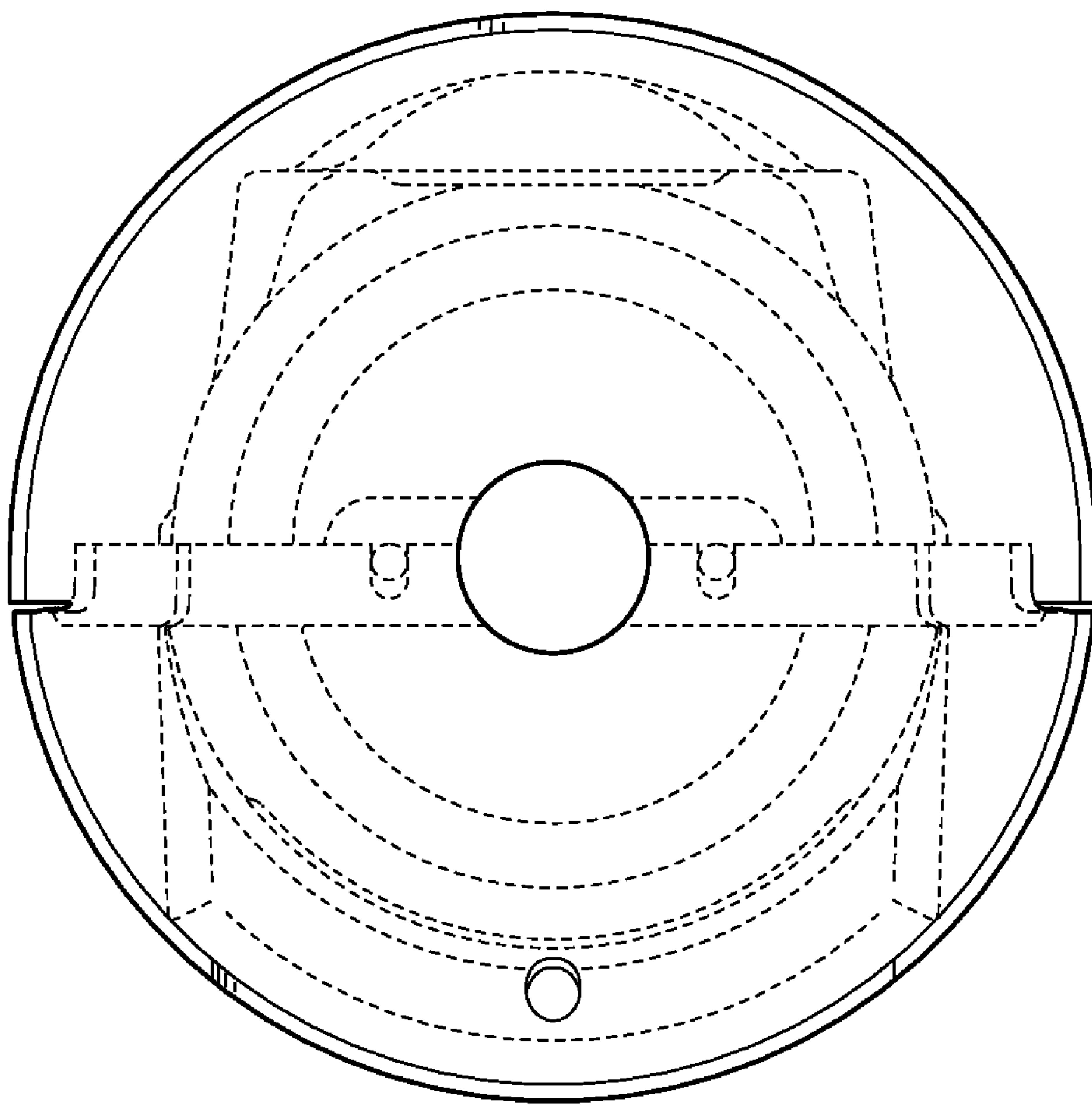
***FIG. 3***



**FIG. 4**



**FIG. 5**



**FIG. 6**