



US00D628964S

(12) **United States Design Patent**
Mashima

(10) **Patent No.:** **US D628,964 S**

(45) **Date of Patent:** **** Dec. 14, 2010**

(54) **ELECTRIC CONNECTOR**

(75) Inventor: **Hiroki Mashima**, Machida (JP)

(73) Assignee: **I-PEX Co., Ltd.**, Machida-shi (JP)

(**) Term: **14 Years**

(21) Appl. No.: **29/359,139**

(22) Filed: **Apr. 6, 2010**

(30) **Foreign Application Priority Data**

Oct. 16, 2009	(JP)	2009-024304
Dec. 5, 2009	(JP)	2009-028367

(51) **LOC (9) Cl.** **13-03**

(52) **U.S. Cl.** **D13/147**

(58) **Field of Classification Search** D13/133,
D13/147, 154, 184; 439/260, 329, 395, 422,
439/492-499

See application file for complete search history.

(56) **References Cited**

U.S. PATENT DOCUMENTS

D497,594 S *	10/2004	Hisamatsu et al.	D13/147
D606,495 S *	12/2009	Hamauchi	D13/147
D607,410 S *	1/2010	Ikari	D13/147
D608,290 S *	1/2010	Ikari	D13/147
D609,648 S *	2/2010	Kai et al.	D13/147
D619,095 S *	7/2010	Yotsutani	D13/147

FOREIGN PATENT DOCUMENTS

JP	D1260678	1/2006
JP	D1311018	9/2007
JP	D1311194	9/2007
JP	D1327686	4/2008
JP	D1338767	9/2008
JP	D1344147	11/2008

OTHER PUBLICATIONS

U.S. Appl. No. 29/359,142, filed Apr. 6, 2010, Mashima.
U.S. Appl. No. 29/359,139, filed Apr. 6, 2010, Mashima.

* cited by examiner

Primary Examiner—Daniel D Bui

(74) *Attorney, Agent, or Firm*—Oblon, Spivak, McClelland, Maier & Neustadt, L.L.P.

(57) **CLAIM**

The ornamental design for an electric connector, as shown and described.

DESCRIPTION

FIG. 1 is a front view of an electric connector of the first embodiment showing my new design;

FIG. 2 is a top view thereof;

FIG. 3 is a rear view thereof;

FIG. 4 is a bottom view thereof;

FIG. 5 is a left side view thereof;

FIG. 6 is a cross-sectional view thereof, on an enlarged scale, taken along line 6—6 in FIG. 1;

FIG. 7 is a rear, top and left side perspective view thereof;

FIG. 8 is a rear, bottom and left side perspective view thereof; Since a right side view appears identically to a left side view, it is omitted.

FIG. 9 is a front view of an electric connector of the second embodiment showing my new design;

FIG. 10 is a top view thereof;

FIG. 11 is a rear view thereof;

FIG. 12 is a bottom view thereof;

FIG. 13 is a left side view thereof;

FIG. 14 is a right side view thereof;

FIG. 15 is a cross-sectional view thereof, on an enlarged scale, taken along line 15—15 in FIG. 9;

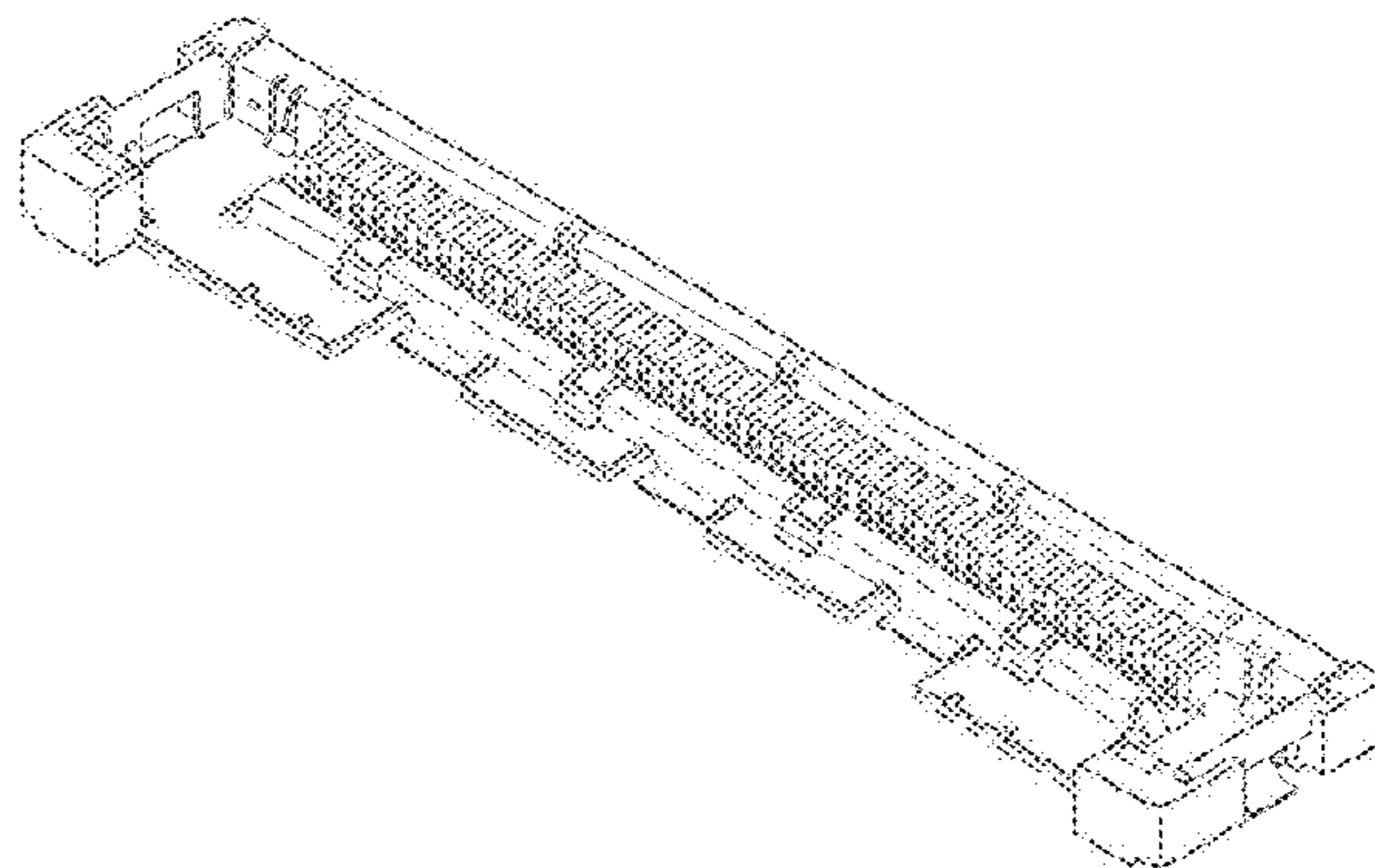
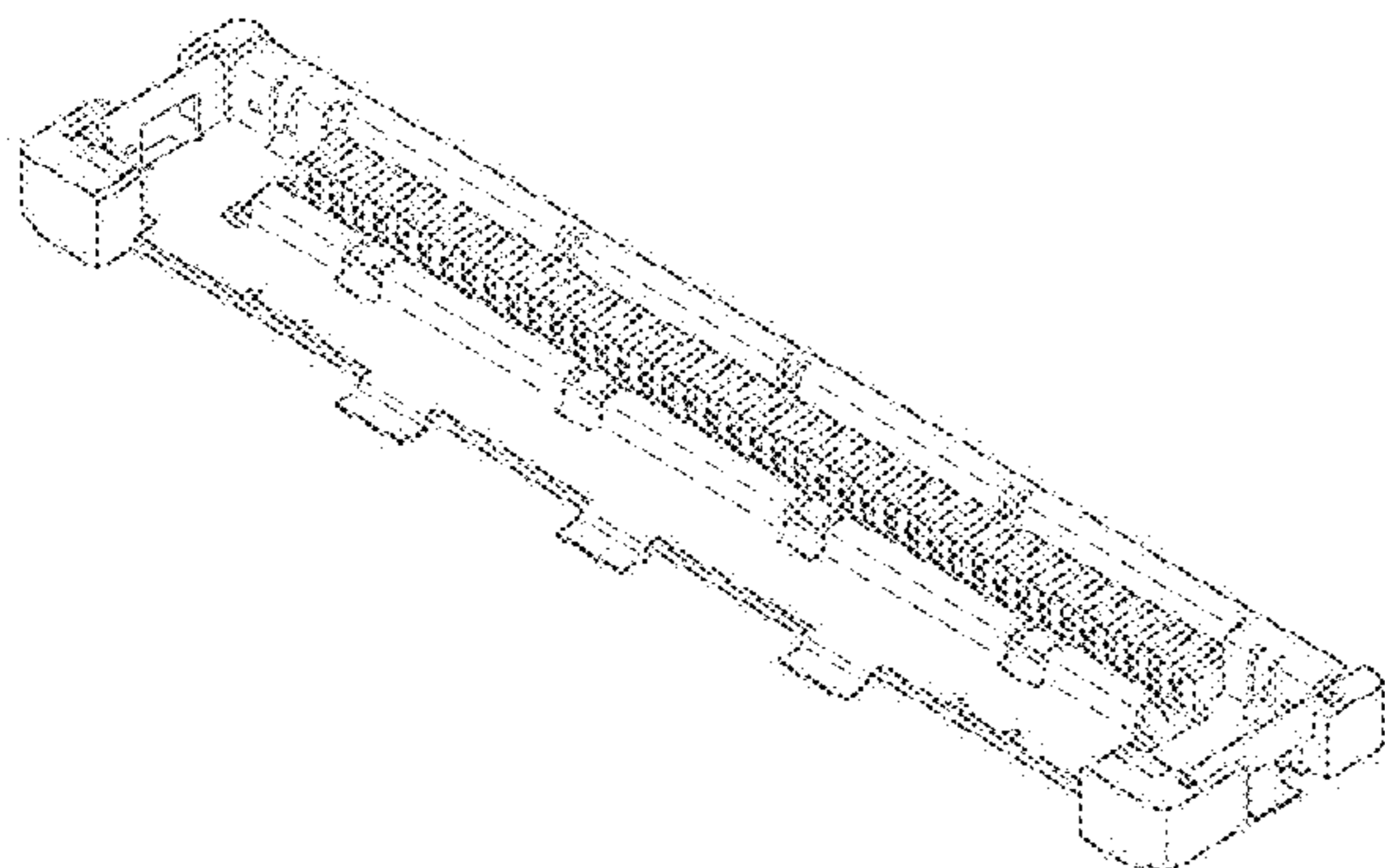
FIG. 16 is a rear, top and left side perspective view thereof; and,

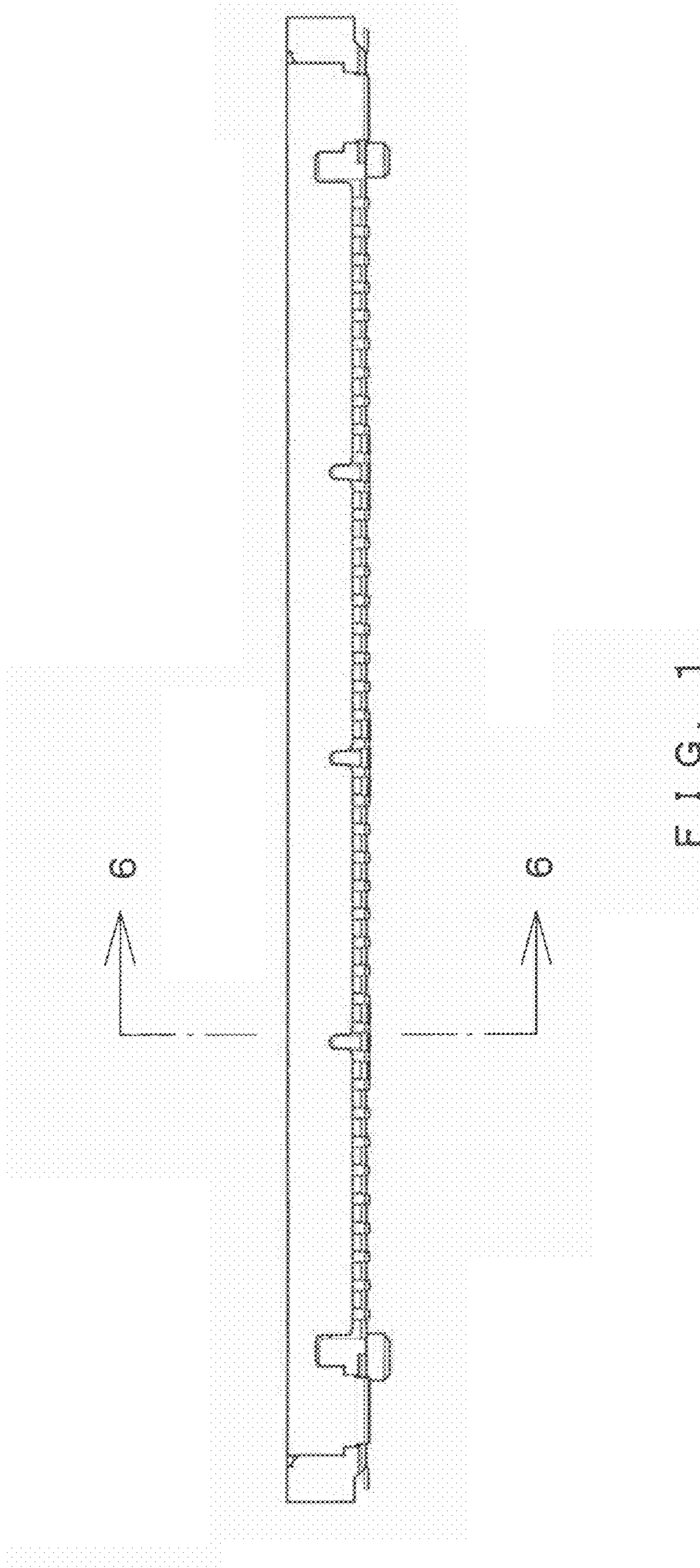
FIG. 17 is a rear, bottom and left side perspective view thereof.

The broken line portion of the figure drawings is included to show unclaimed subject matter only and forms no part of the claimed design.

The broken line portion of the figure drawings is included to show unclaimed subject matter only and forms no part of the claimed design.

1 Claim, 14 Drawing Sheets





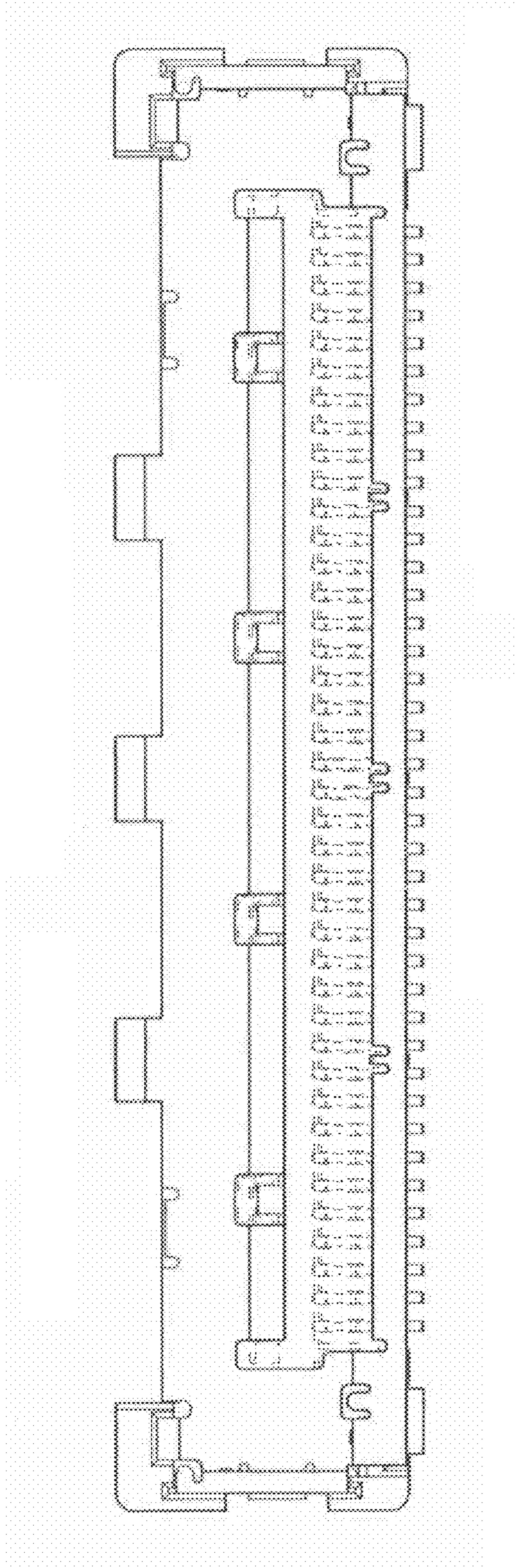


FIG. 2

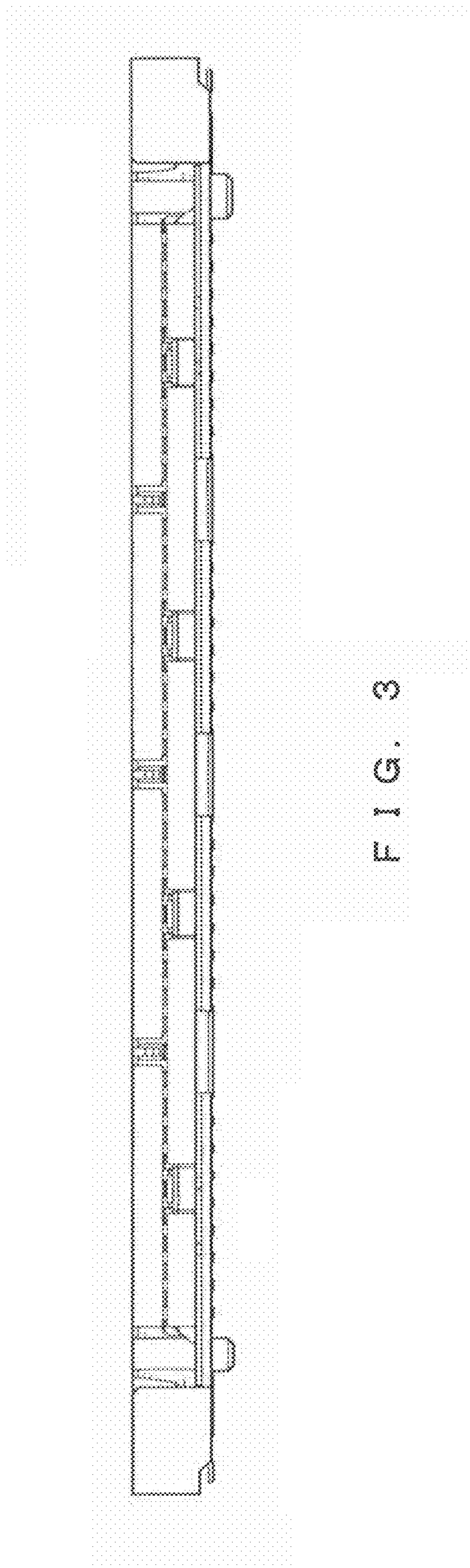


FIG. 3

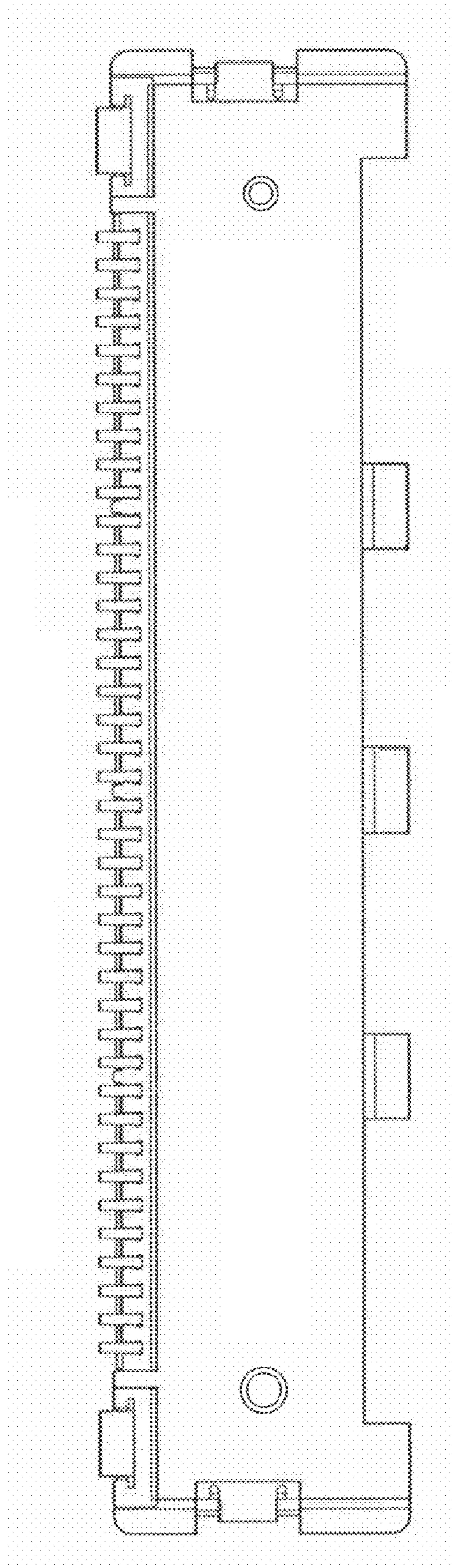


FIG. 4

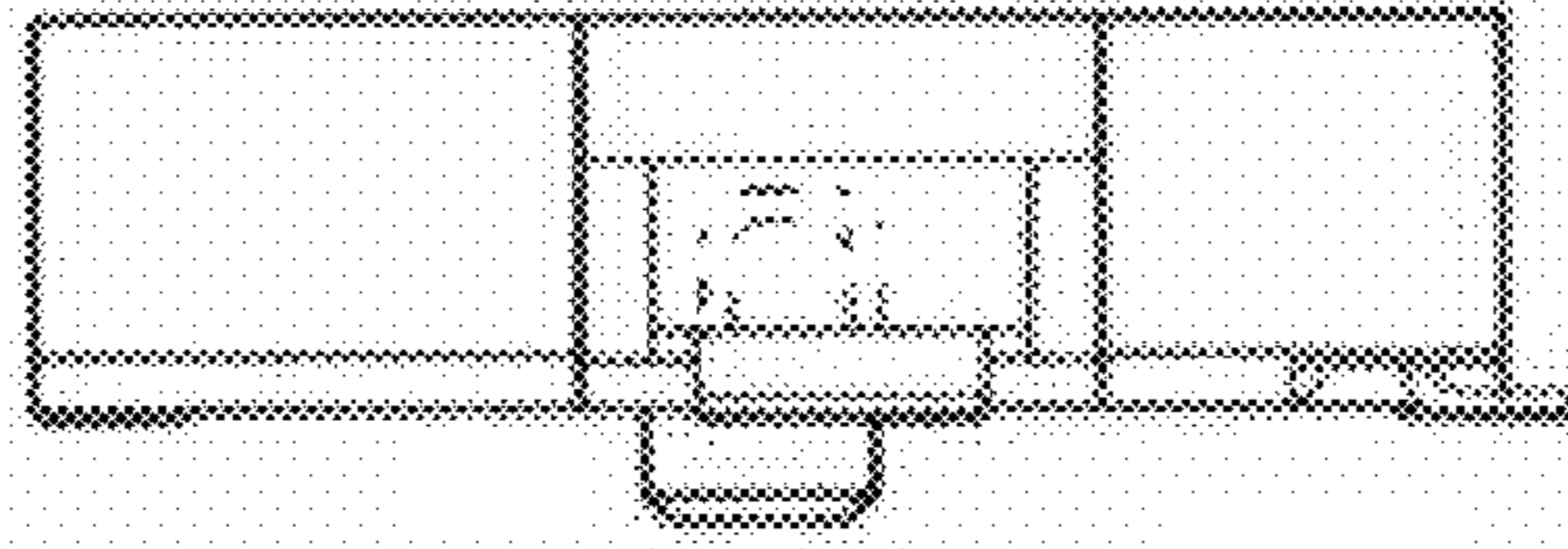


FIG. 5

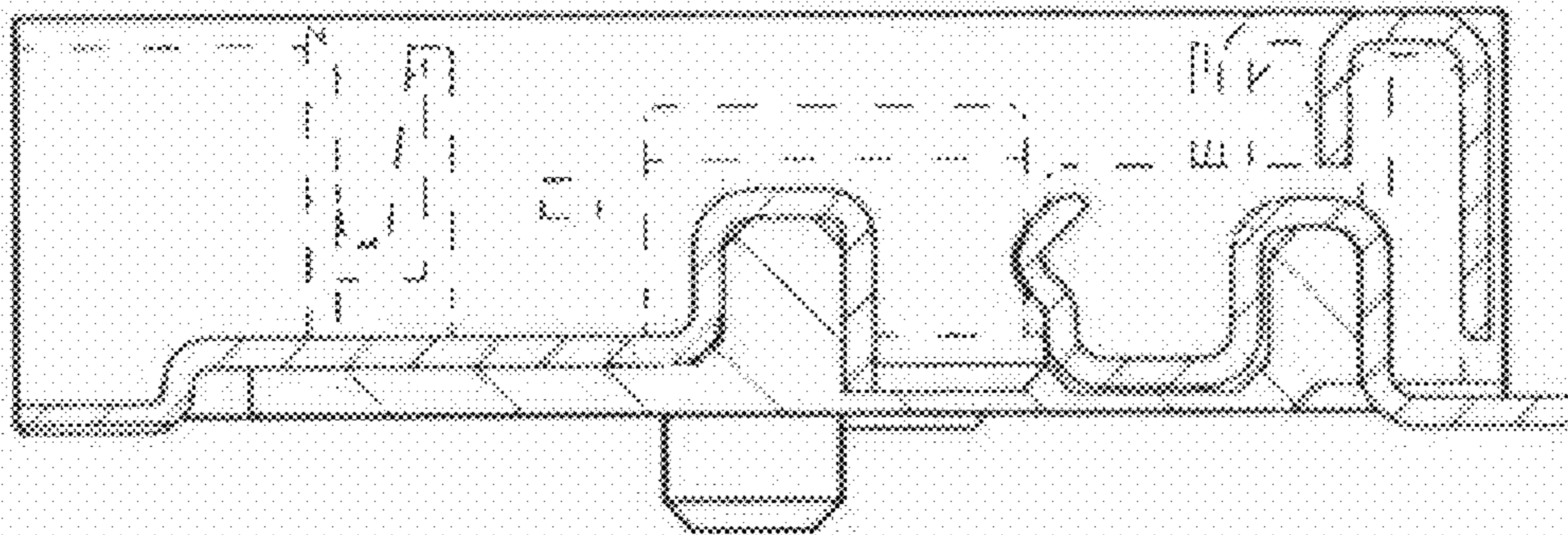


FIG. 6

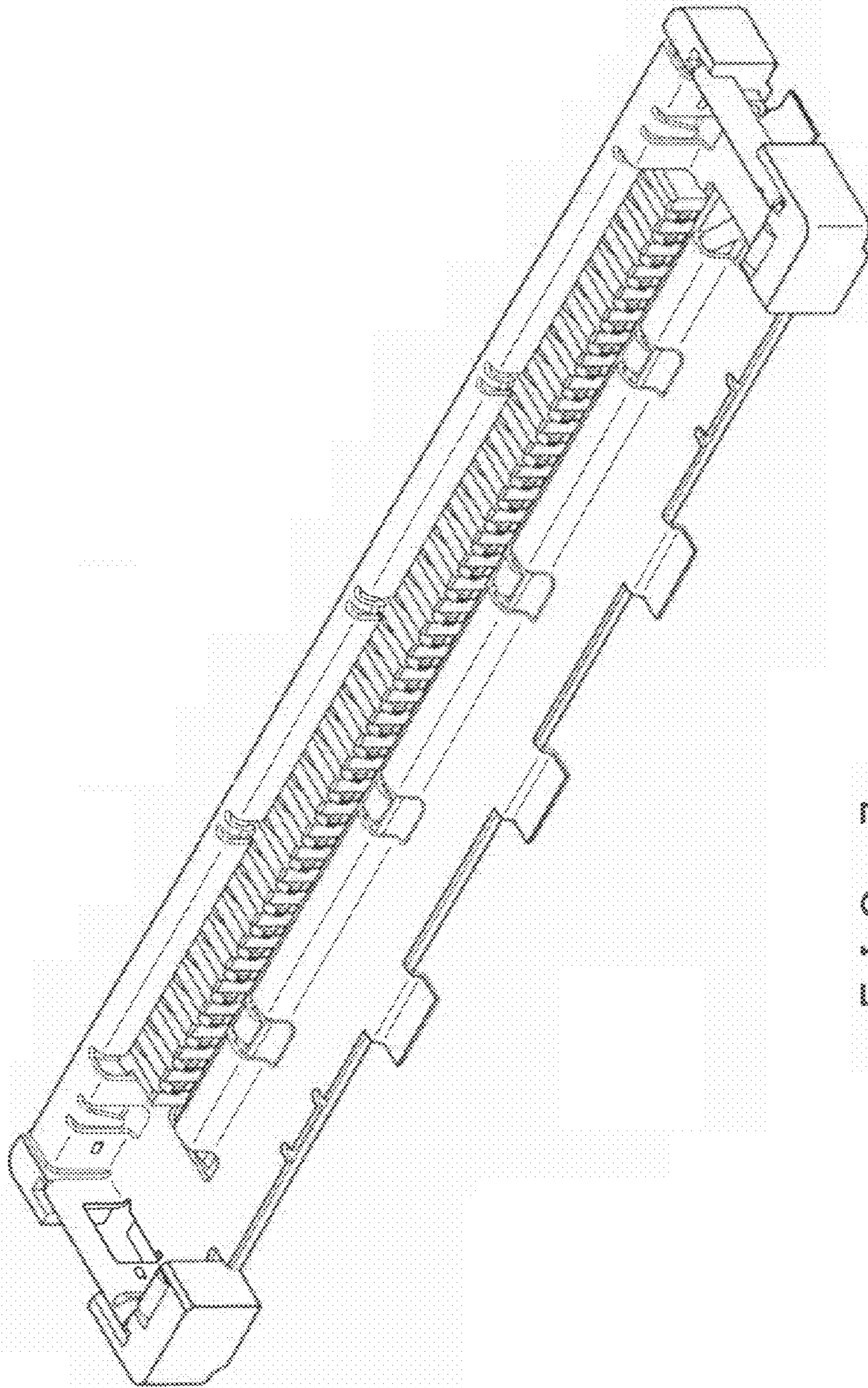


FIG. 7

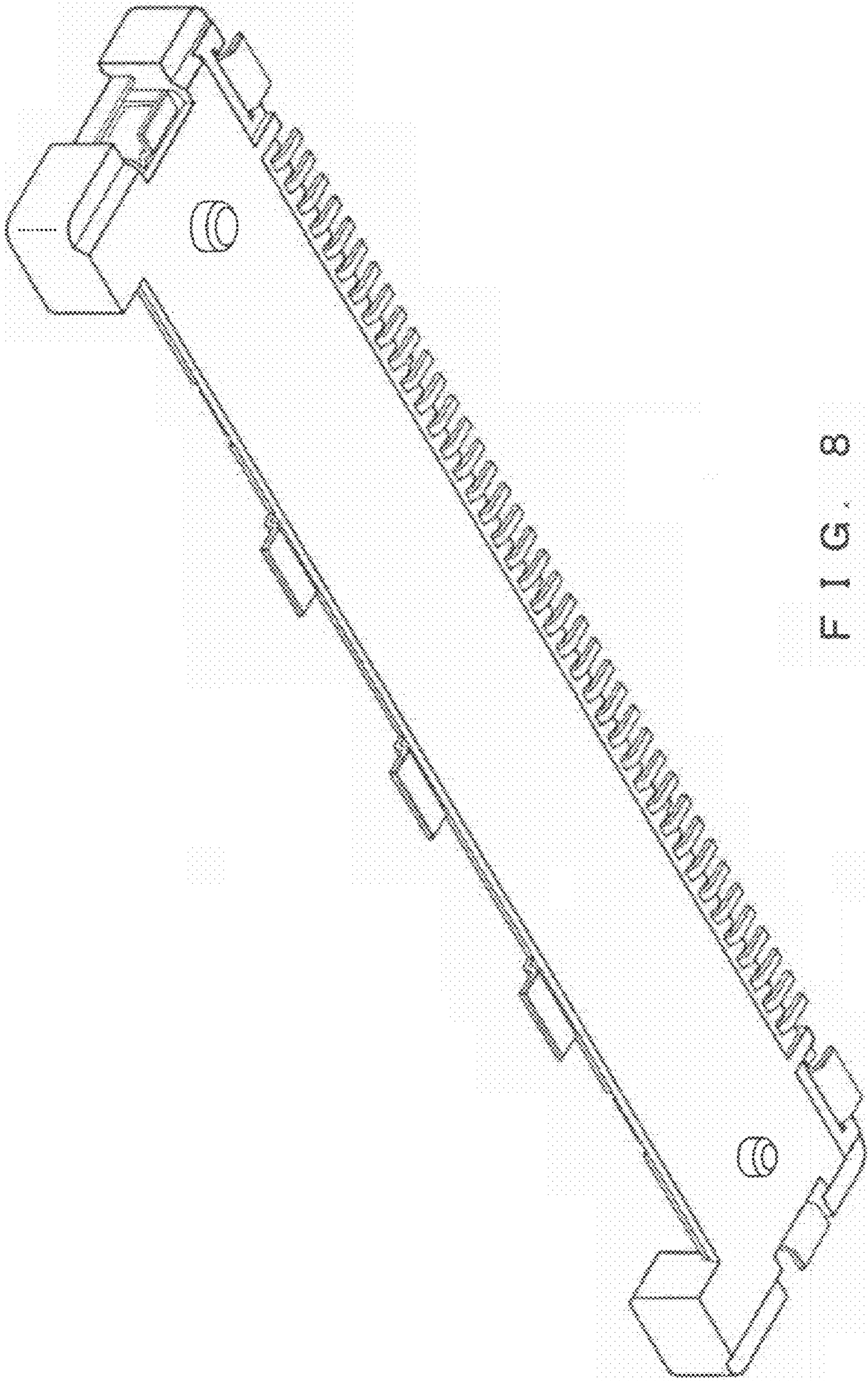
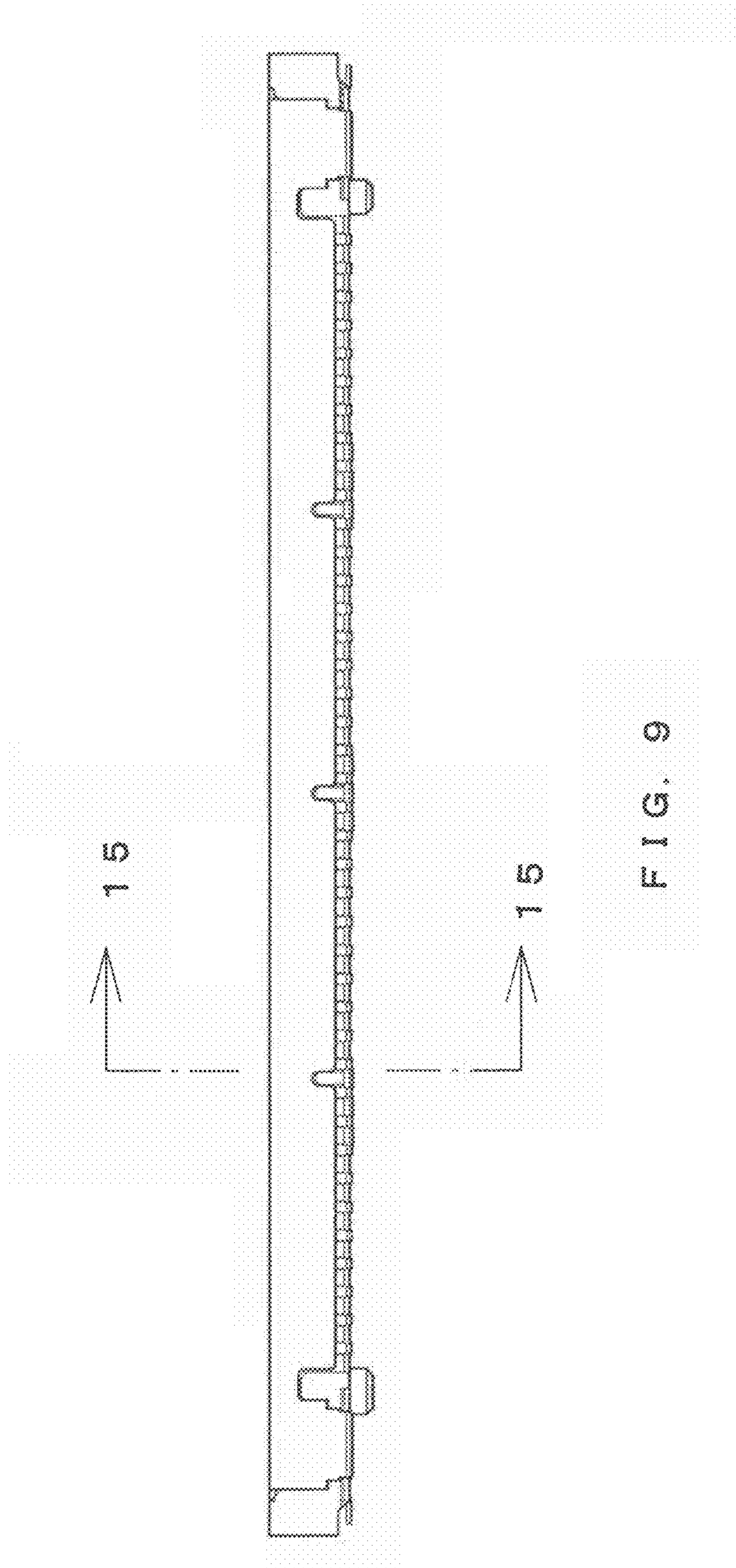


FIG. 8



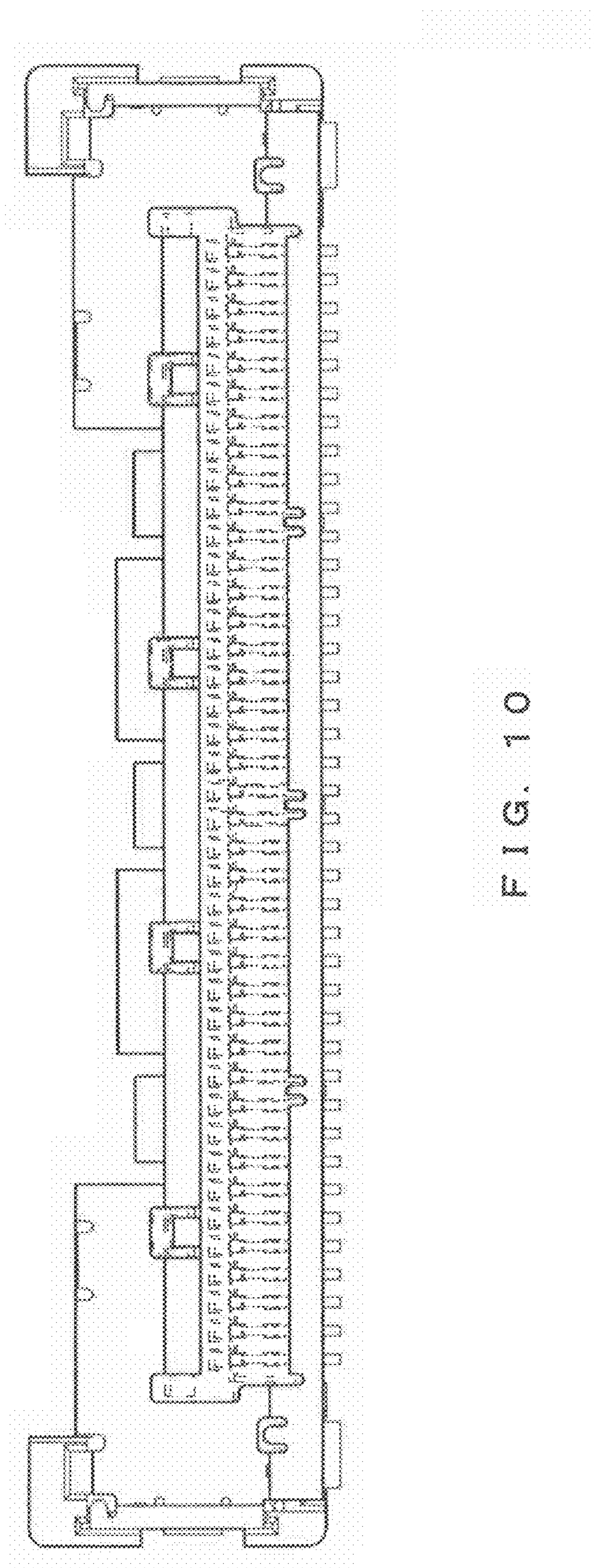


FIG. 10

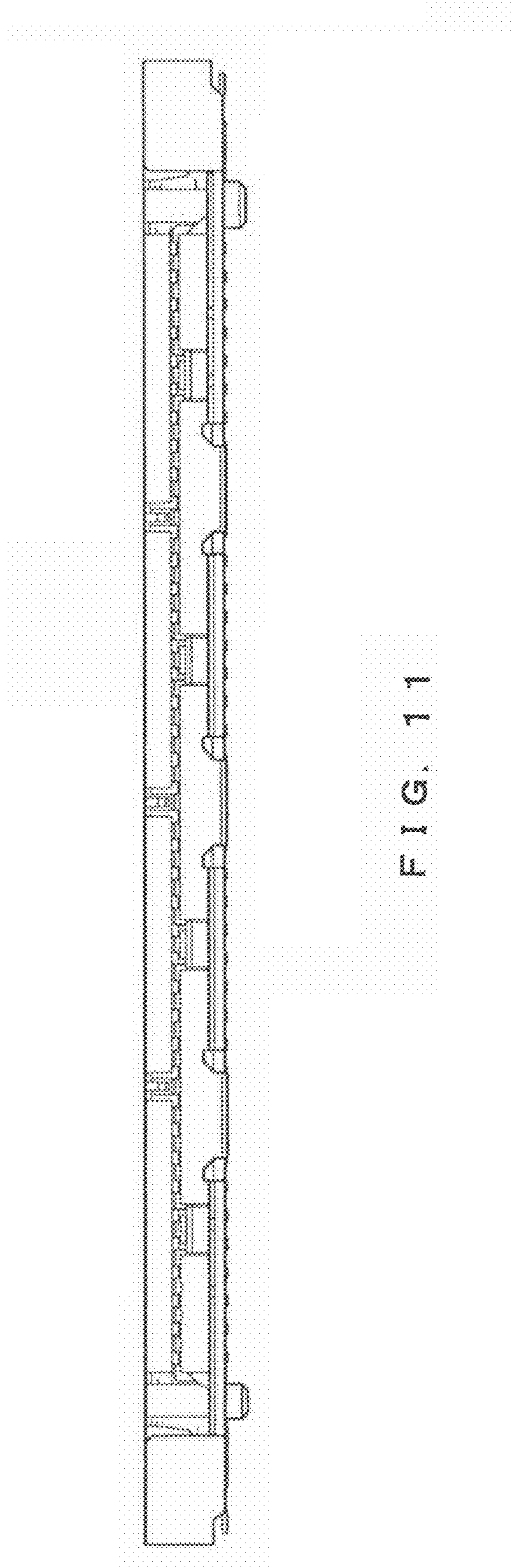


FIG. 11

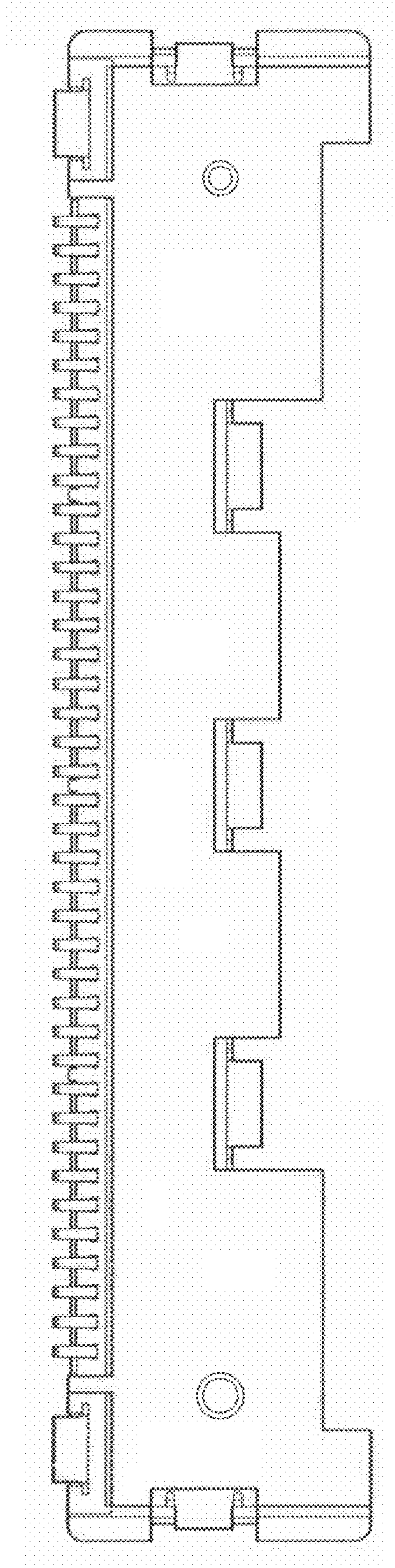


FIG. 12

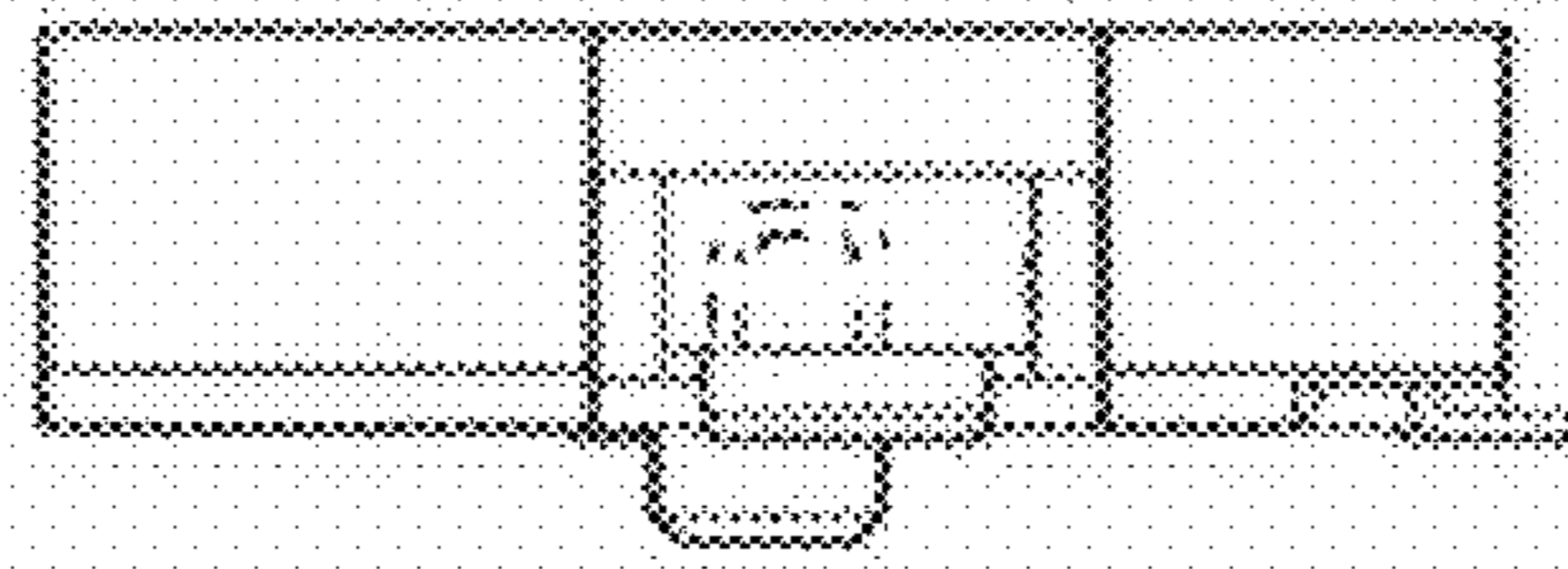


FIG. 13



FIG. 14

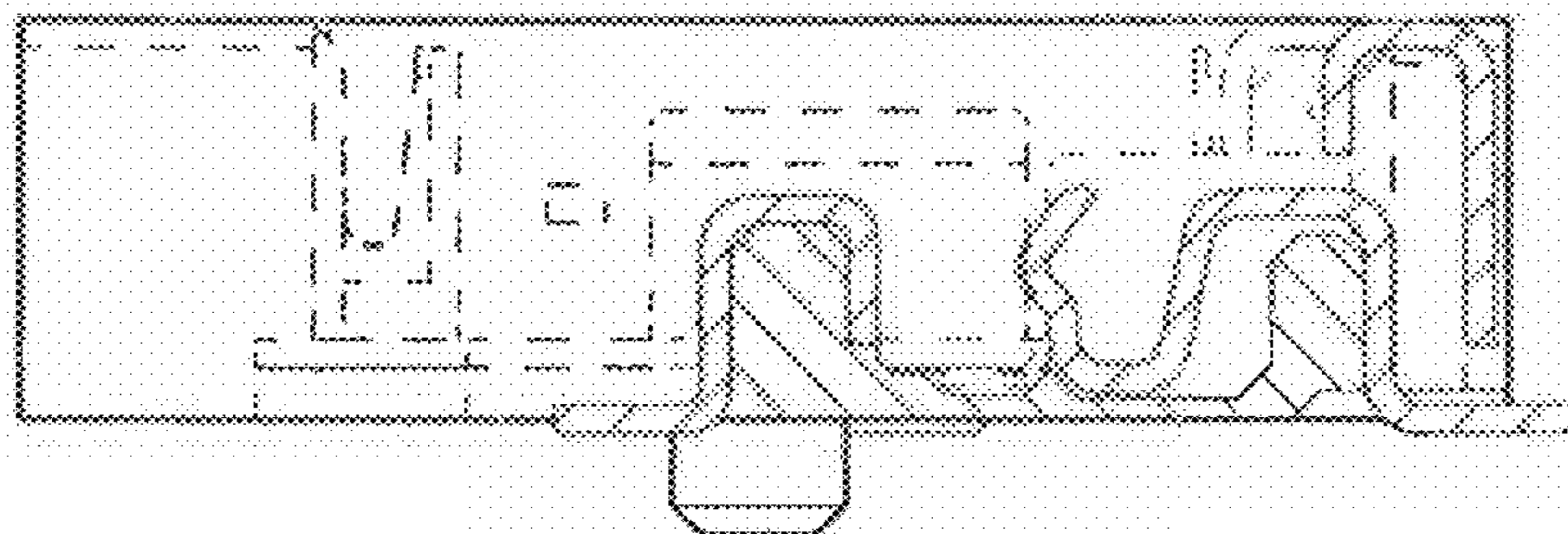


FIG. 15

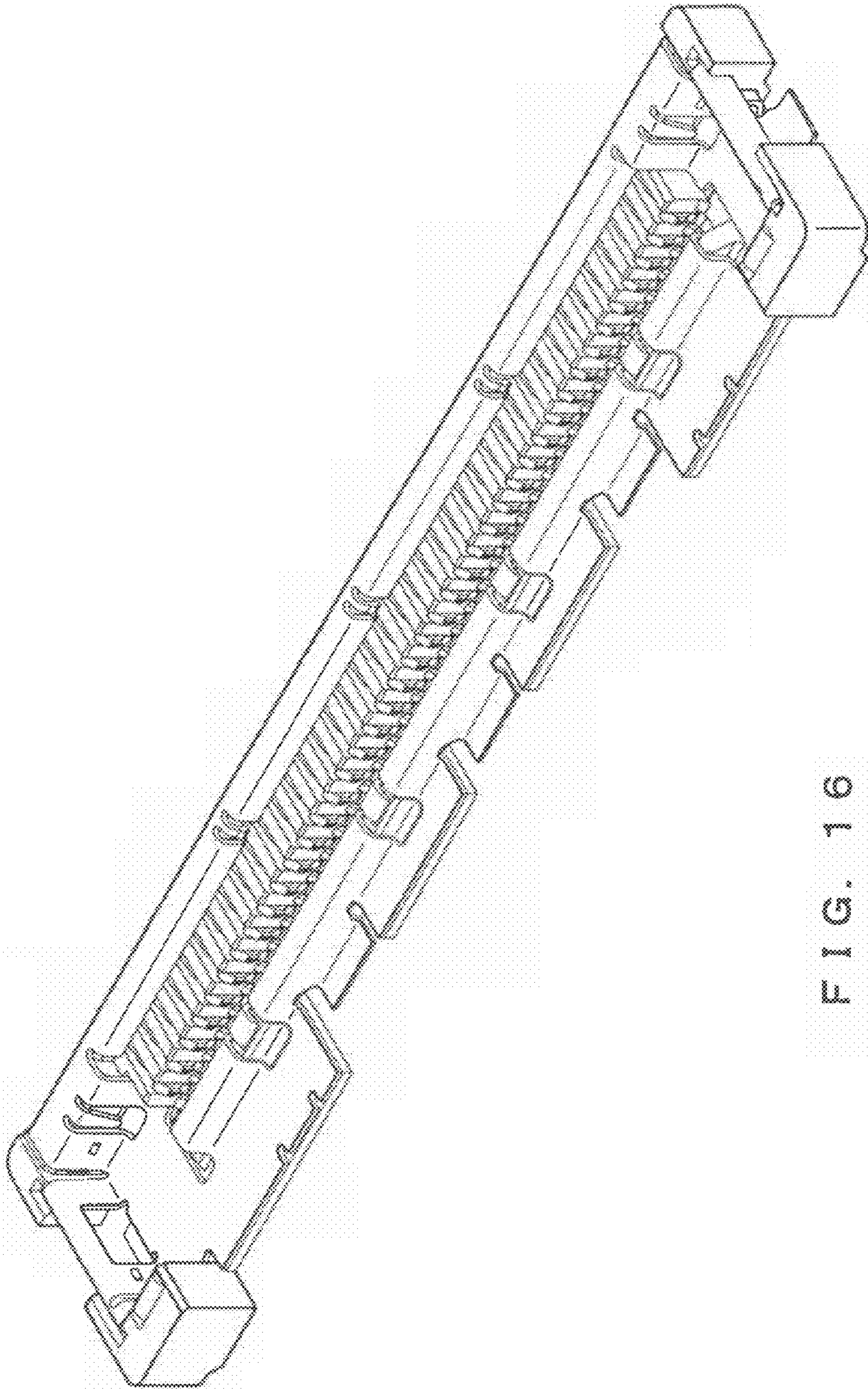


FIG. 16

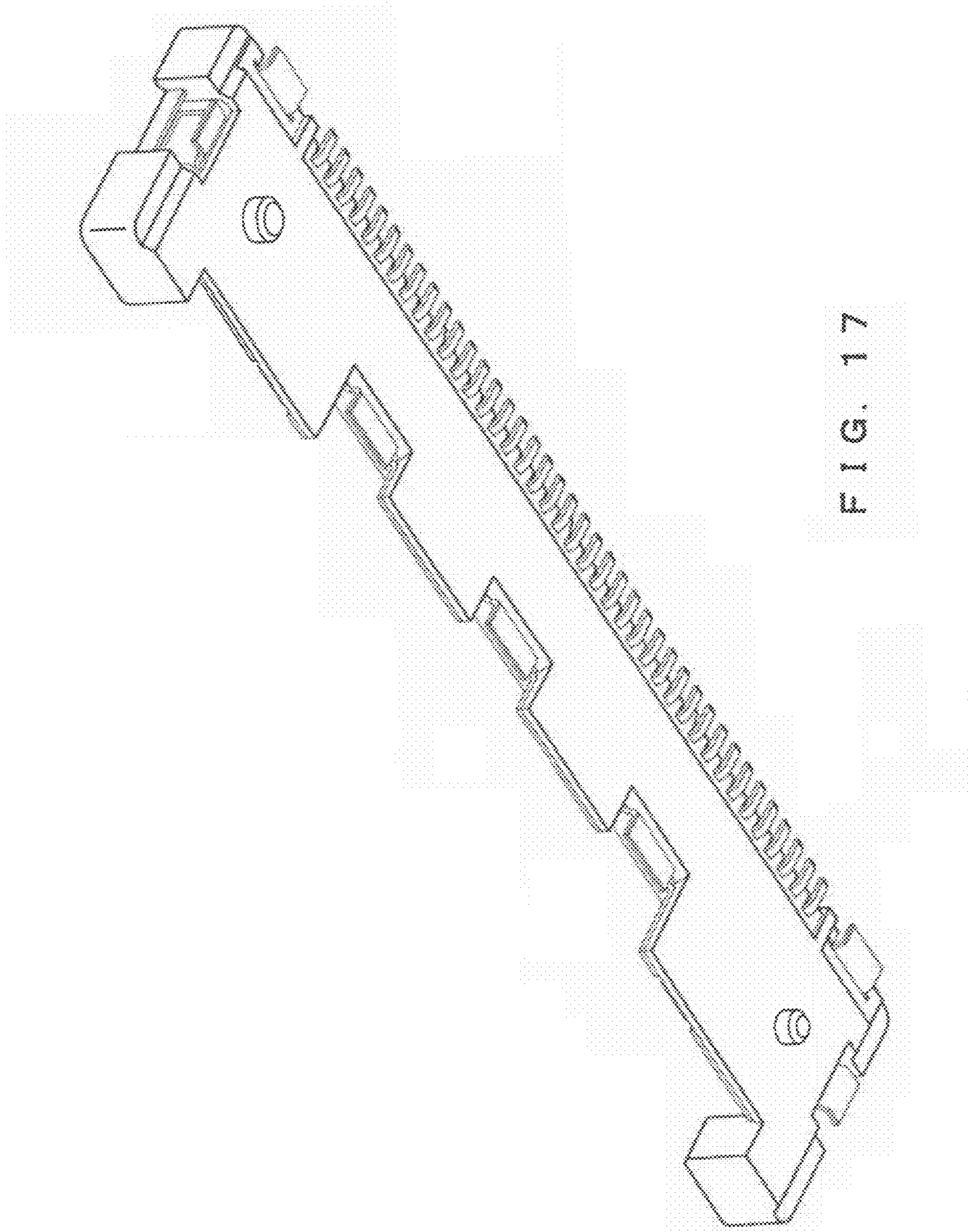


FIG. 17