



US00D628961S

(12) **United States Design Patent**
Kim et al.

(10) **Patent No.:** **US D628,961 S**

(45) **Date of Patent:** **** Dec. 14, 2010**

(54) **CHARGER FOR VACUUM CLEANER**

(75) Inventors: **Joo Hyung Kim**, Seoul (KR); **Dae Kyun Lee**, Seoul (KR)

(73) Assignee: **Samsung Electronics Co., Ltd.**, Suwon (KR)

(**) Term: **14 Years**

(21) Appl. No.: **29/366,248**

(22) Filed: **Jul. 22, 2010**

(51) **LOC (9) Cl.** **13-02**

(52) **U.S. Cl.** **D13/108; D32/31**

(58) **Field of Classification Search** D13/107–110,
D13/118–119, 184; D14/251, 253, 432,
D14/434, 435.1; 320/107–115; D32/25,
D32/31; 15/300.1, 323, 345

See application file for complete search history.

(56) **References Cited**

U.S. PATENT DOCUMENTS

D474,735 S * 5/2003 Lee D13/108
D504,893 S * 5/2005 Araki D14/434
D525,935 S * 8/2006 Hussaini et al. D13/108
D559,484 S * 1/2008 Fjellman D32/31

D562,230 S * 2/2008 Houghton D13/107
D566,352 S * 4/2008 Ågren et al. D32/31
D585,897 S * 2/2009 Carnevali D14/434
D620,882 S * 8/2010 Houghton D13/108
D621,405 S * 8/2010 Waite et al. D14/434

* cited by examiner

Primary Examiner—Rosemary K Tarcza

(74) *Attorney, Agent, or Firm*—Ladas & Parry LLP

(57) **CLAIM**

We claim the ornamental design for a charger for vacuum cleaner, as shown.

DESCRIPTION

FIG. 1 is a front/right-side/top perspective view of a charger for vacuum cleaner our new design;

FIG. 2 is a front-side elevational view thereof;

FIG. 3 is a rear-side elevational view thereof;

FIG. 4 is a left-side elevational view thereof;

FIG. 5 is a right-side elevational view thereof;

FIG. 6 is a top-side elevational view thereof; and,

FIG. 7 is a bottom-side elevational view thereof.

1 Claim, 5 Drawing Sheets

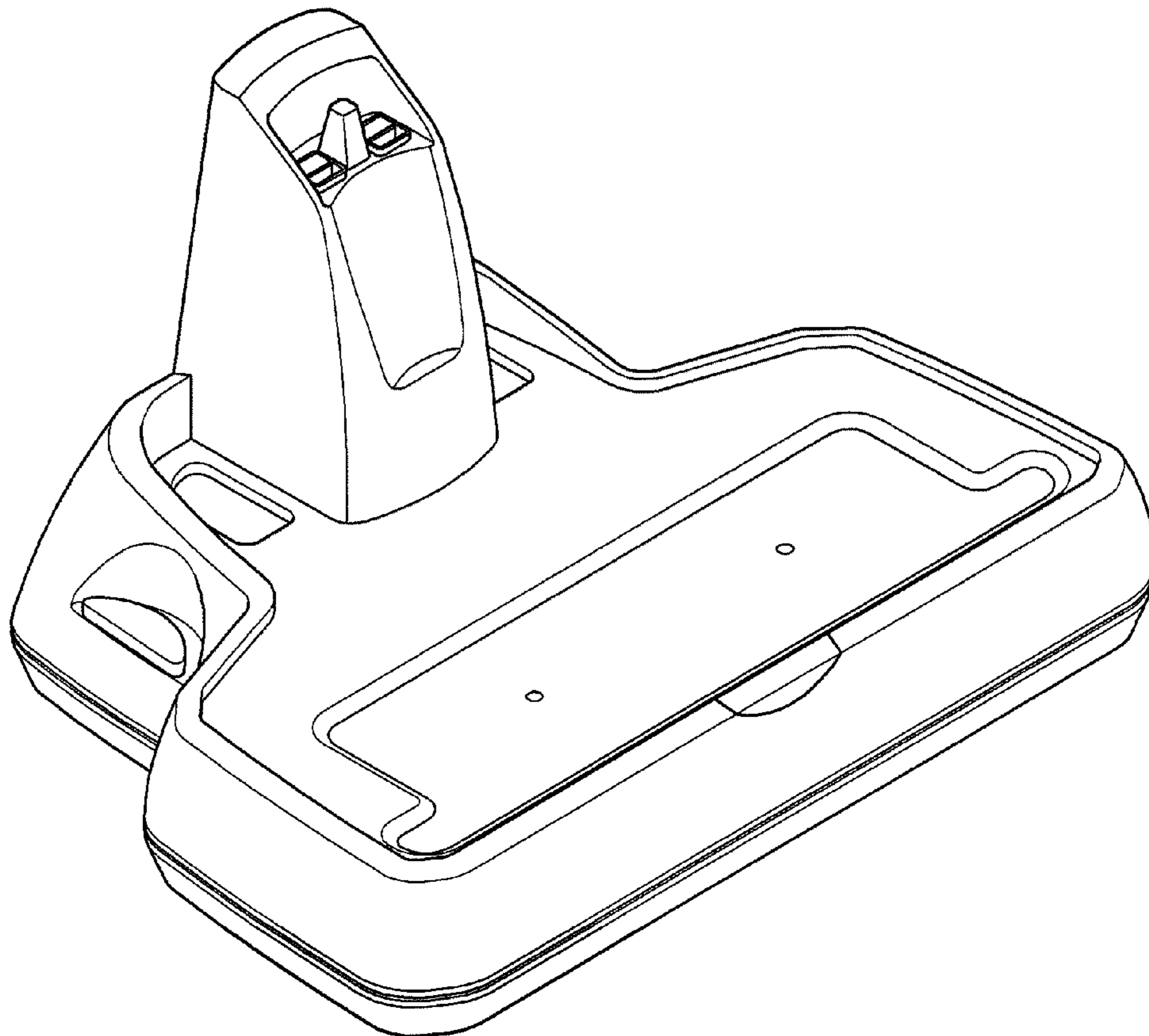


FIG. 1

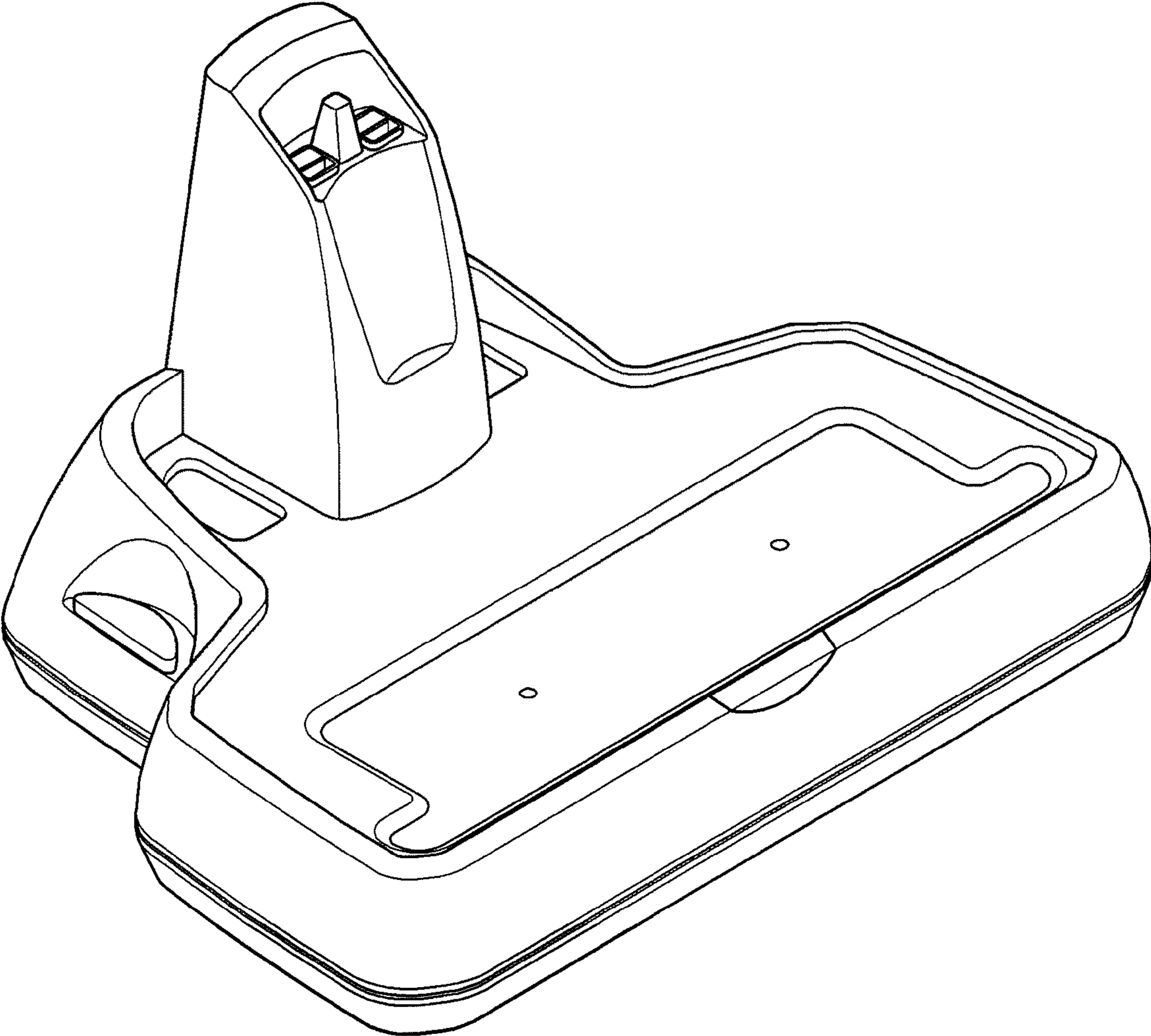


FIG. 2

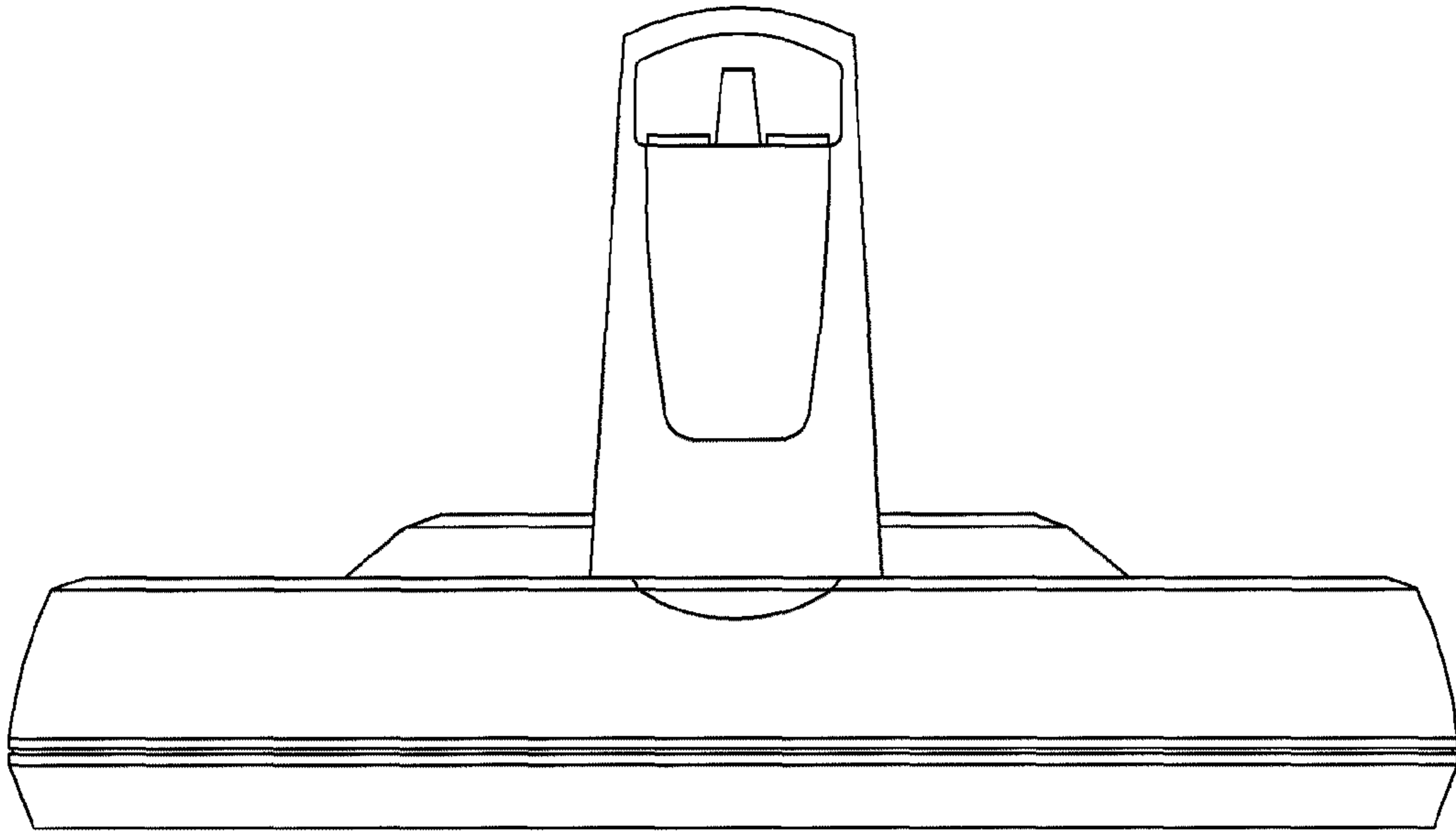


FIG. 3

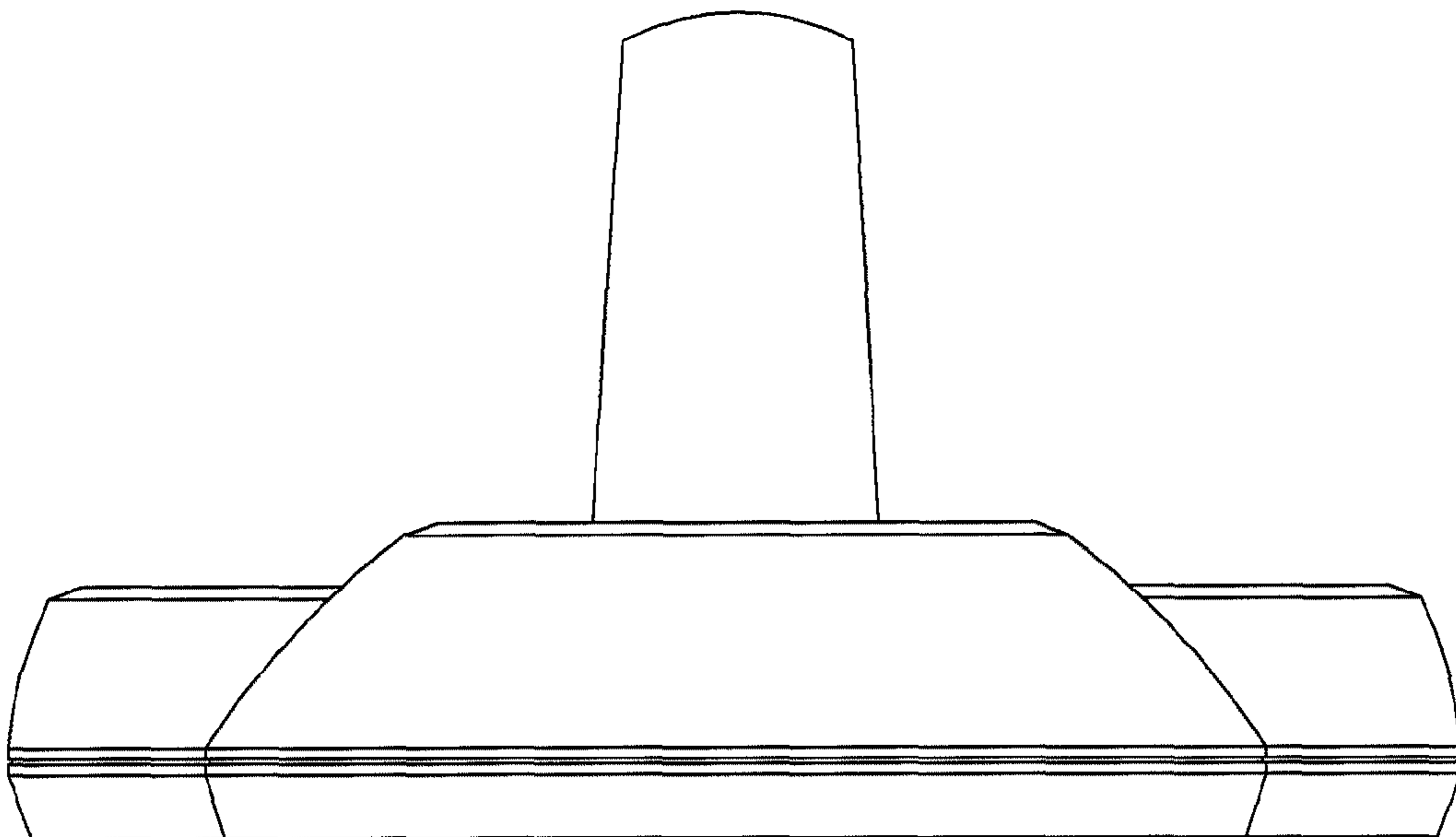


FIG. 4

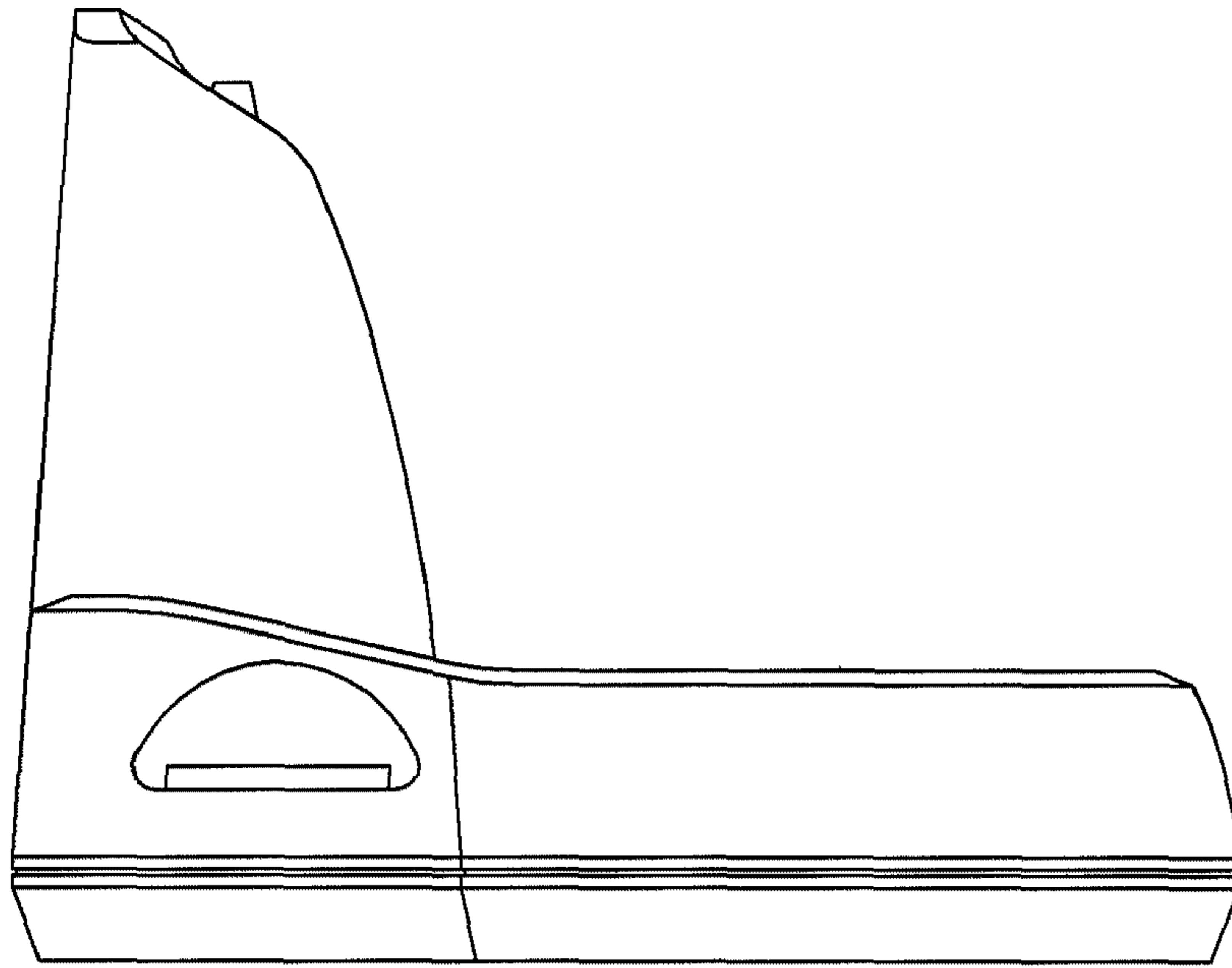


FIG. 5

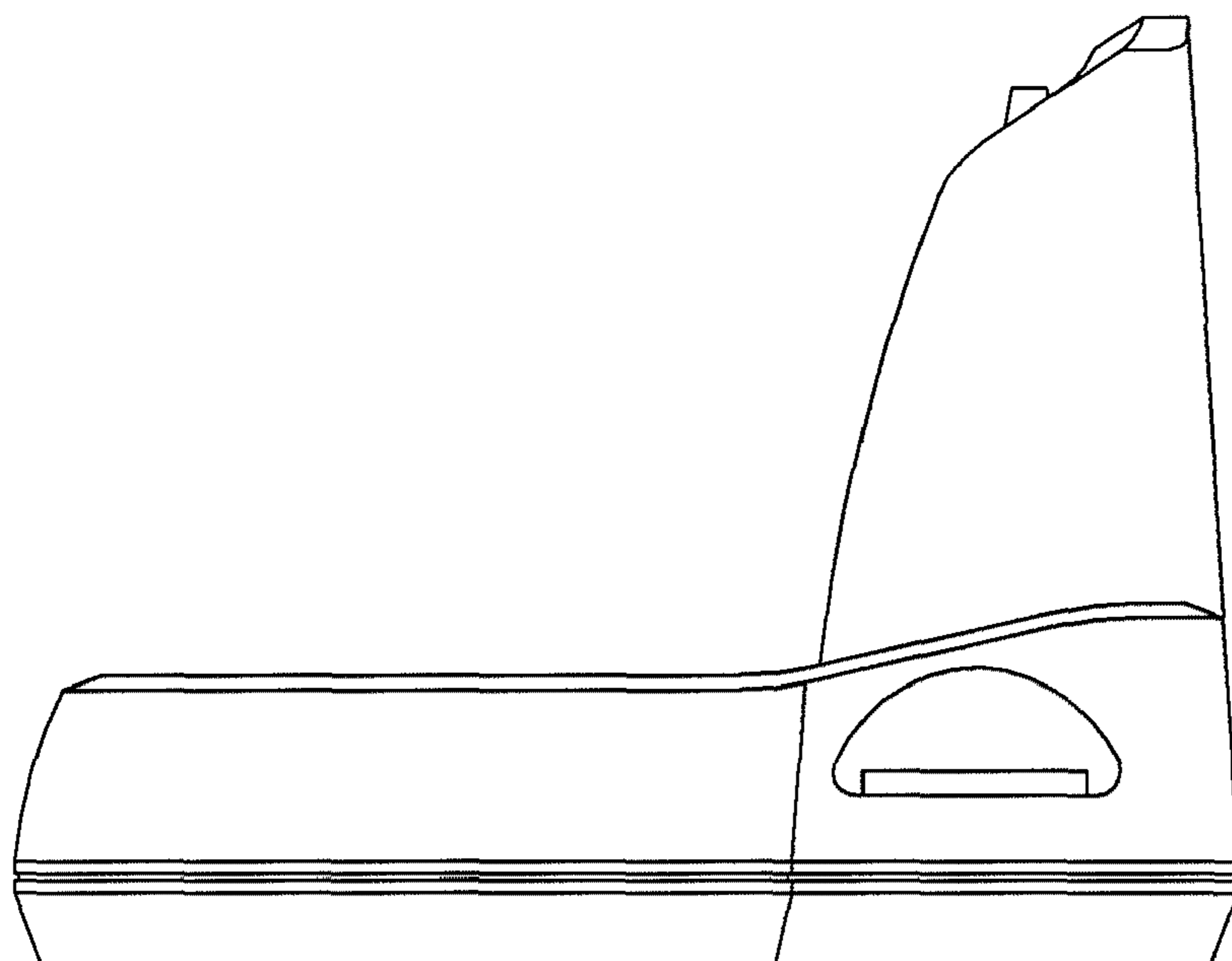


FIG. 6

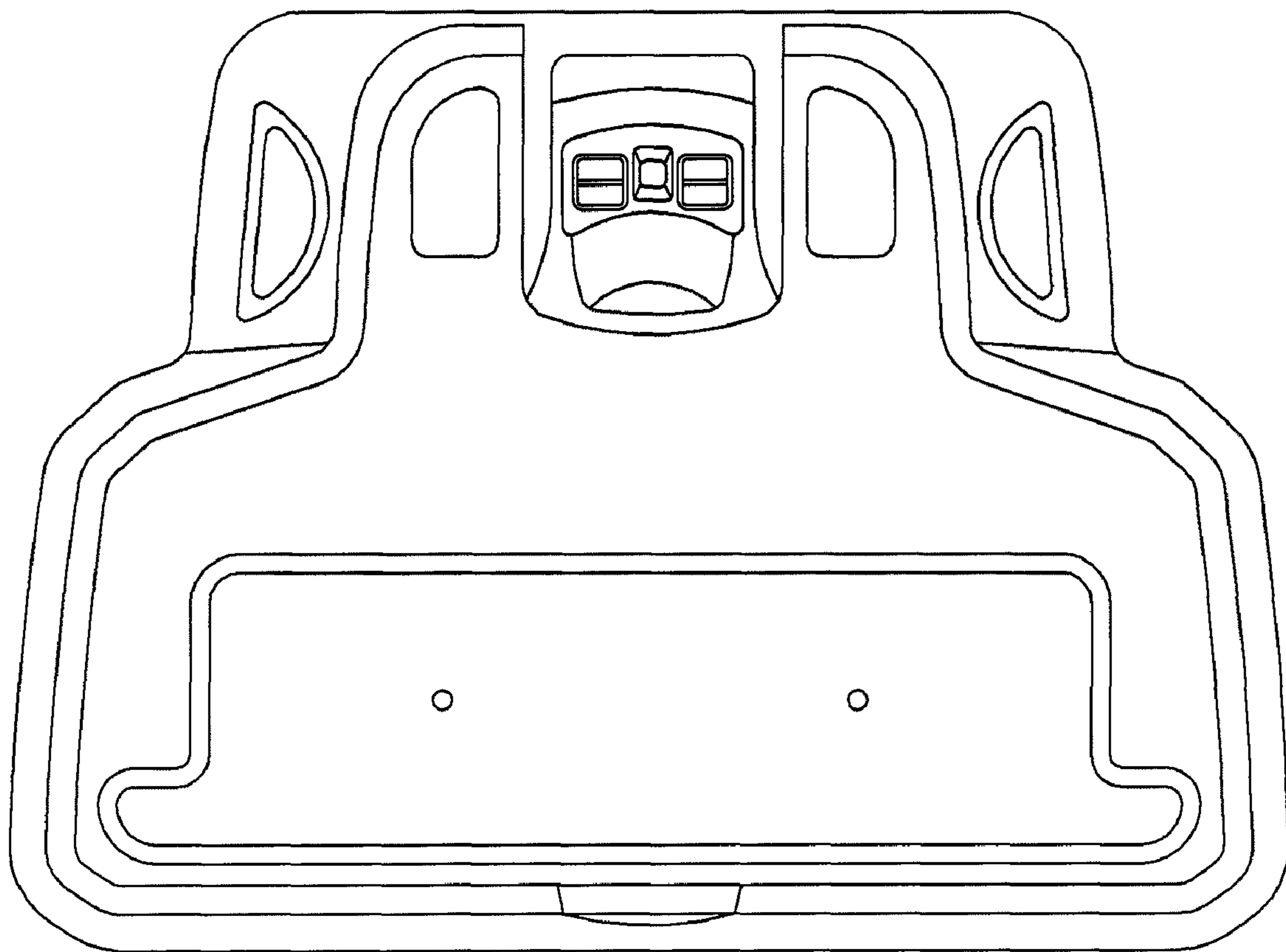


FIG. 7

