



US00D628955S

(12) **United States Design Patent**
Toumni et al.

(10) **Patent No.:** **US D628,955 S**

(45) **Date of Patent:** **** Dec. 14, 2010**

(54) **TIRE**

(75) Inventors: **Nizar Toumni**, Ettelbruck (LU); **Phuoc Thuan Le**, Attert (BE); **Jacques Collette**, Bastogne (BE)

(73) Assignee: **The Goodyear Tire & Rubber Company**, Akron, OH (US)

(**) Term: **14 Years**

(21) Appl. No.: **29/343,147**

(22) Filed: **Sep. 9, 2009**

(51) **LOC (9) Cl.** **12-15**

(52) **U.S. Cl.** **D12/588**

(58) **Field of Classification Search** D12/551,
D12/553, 568, 579-603, 900-901; 152/209.1,
152/209.8-209.19, 209.25-209.28
See application file for complete search history.

(56) **References Cited**

U.S. PATENT DOCUMENTS

D383,712 S *	9/1997	Scheuren et al.	D12/588
D384,613 S	10/1997	Le et al.	D12/146
D392,605 S	3/1998	Le et al.	D12/146
D397,648 S	9/1998	Allen et al.	D12/147
D402,943 S *	12/1998	Albert et al.	D12/588
D403,281 S	12/1998	Allen et al.	D12/147
D407,679 S *	4/1999	Weber et al.	D12/588
D448,709 S	10/2001	Le et al.	D12/147
D455,709 S *	4/2002	Dixon et al.	D12/588
D458,215 S	6/2002	Le	D12/600
D461,162 S	8/2002	Young et al.	D12/595
D462,654 S	9/2002	Nopper et al.	D12/601
D464,025 S *	10/2002	Okano	D12/588
D473,843 S	4/2003	Le et al.	D12/600
D483,321 S *	12/2003	Hiroko	D12/588
D500,288 S *	12/2004	Maziarka et al.	D12/601
D528,500 S	9/2006	Le et al.	D12/600
D533,498 S	12/2006	Scheuren et al.	D12/588
D554,055 S	10/2007	Beauguitte et al.	D12/600

D555,081 S	11/2007	Feider et al.	D12/588
D583,308 S *	12/2008	Ludwig et al.	D12/588
D584,217 S	1/2009	Scheuren et al.	D12/549
D591,224 S *	4/2009	Ludwig et al.	D12/588
D601,950 S *	10/2009	Pressley et al.	D12/588
D605,107 S *	12/2009	Ludwig et al.	D12/588
D609,169 S *	2/2010	Feider	D12/588
D615,481 S *	5/2010	Gommez	D12/588

* cited by examiner

Primary Examiner—Stacia Cadmus

(74) *Attorney, Agent, or Firm*—Richard B. O’Planick

(57) **CLAIM**

The ornamental design for a tire, as shown and described.

DESCRIPTION

FIG. 1 is a perspective view of a tire showing our new design, it being understood that the pattern repeats uniformly throughout the circumference of the tread;

FIG. 2 is a front elevational view thereof;

FIG. 3 is a right side elevational view thereof; the opposite side elevational view being identical thereto;

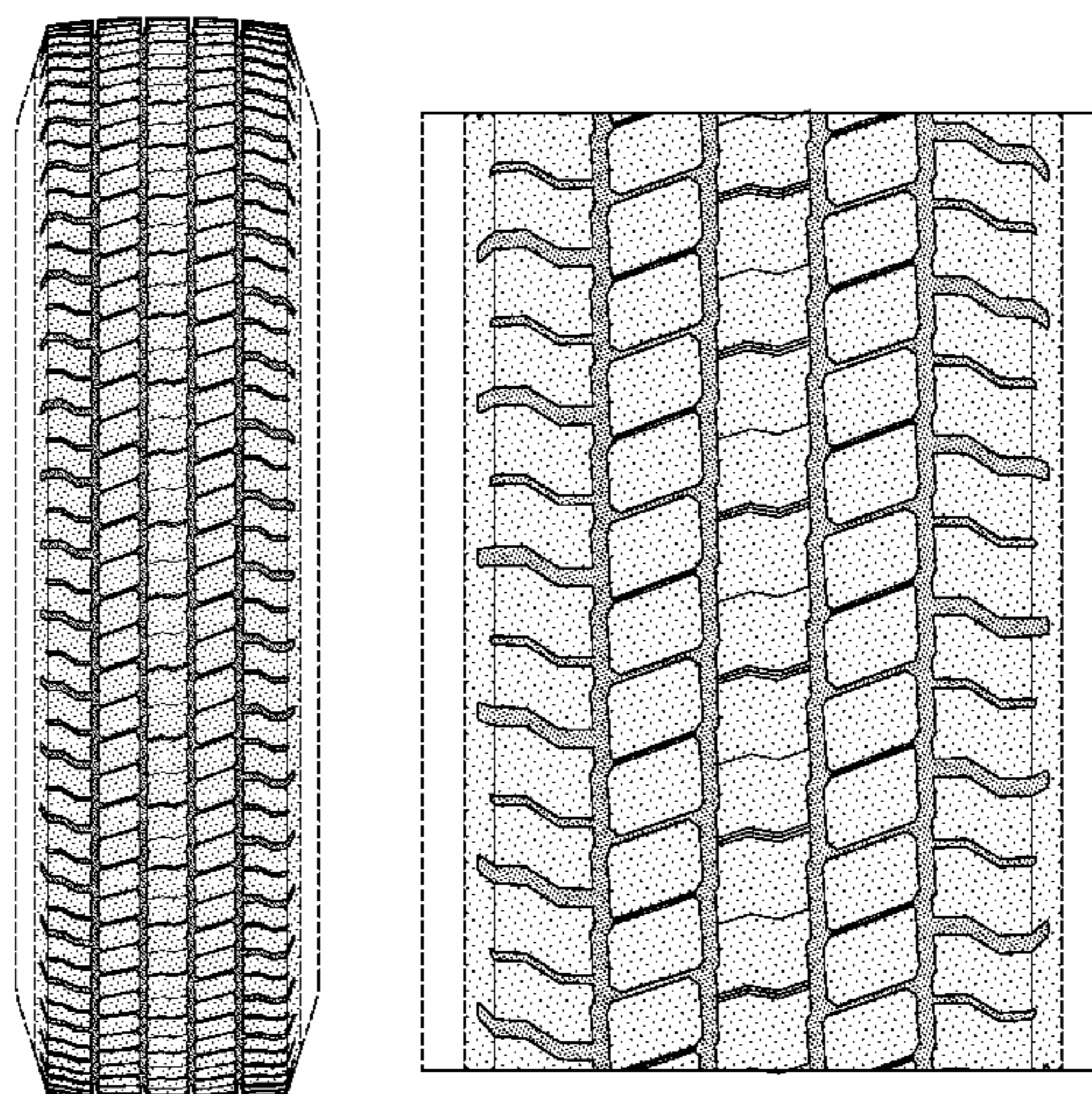
FIG. 4 is an enlarged fragmentary front elevational view thereof;

FIG. 5 is a perspective view of a second embodiment of a tire showing our new design, it being understood that the pattern repeats uniformly throughout the circumference of the tread and that the opposite side perspective view is identical thereto; and,

FIG. 6 is a front elevational view of a second embodiment, it being understood that an enlarged fragmentary view thereof would be substantially identical to that shown in FIG. 4, with the exception of the inclusion of the sidewall in solid lines.

In the drawings, the broken lines showing of the sidewall, inner bead and the peripheral boundary between the tire tread and the sidewall in FIGS. 1 through 4 depict environmental subject matter and form no part of the claimed design.

1 Claim, 6 Drawing Sheets



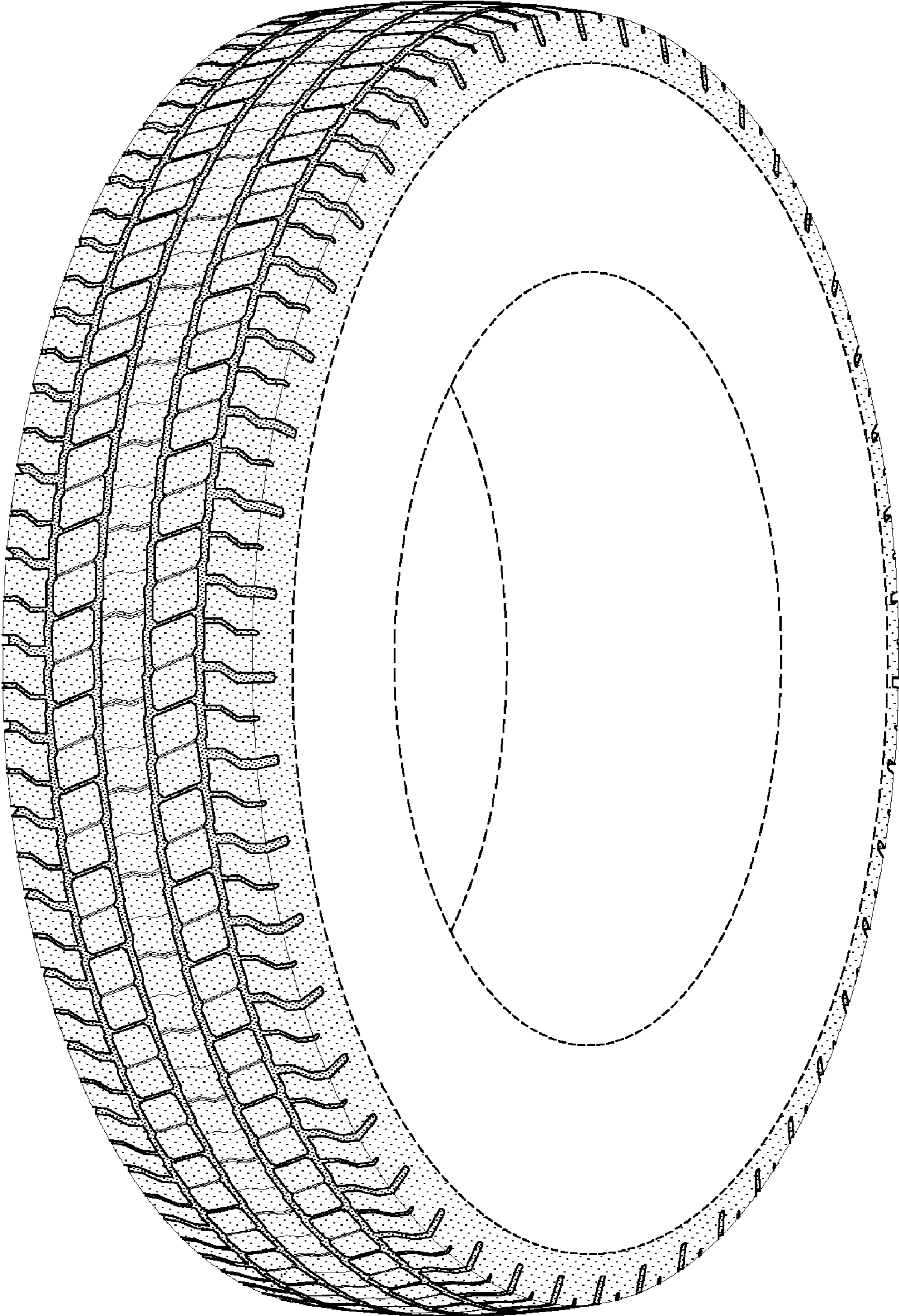


FIG-1

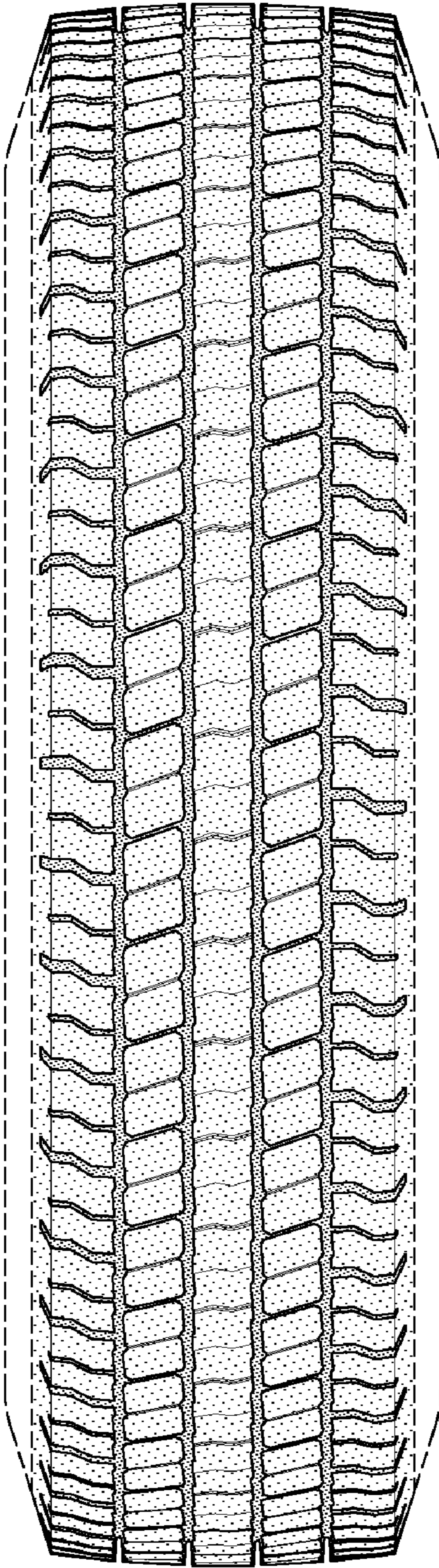


FIG-2

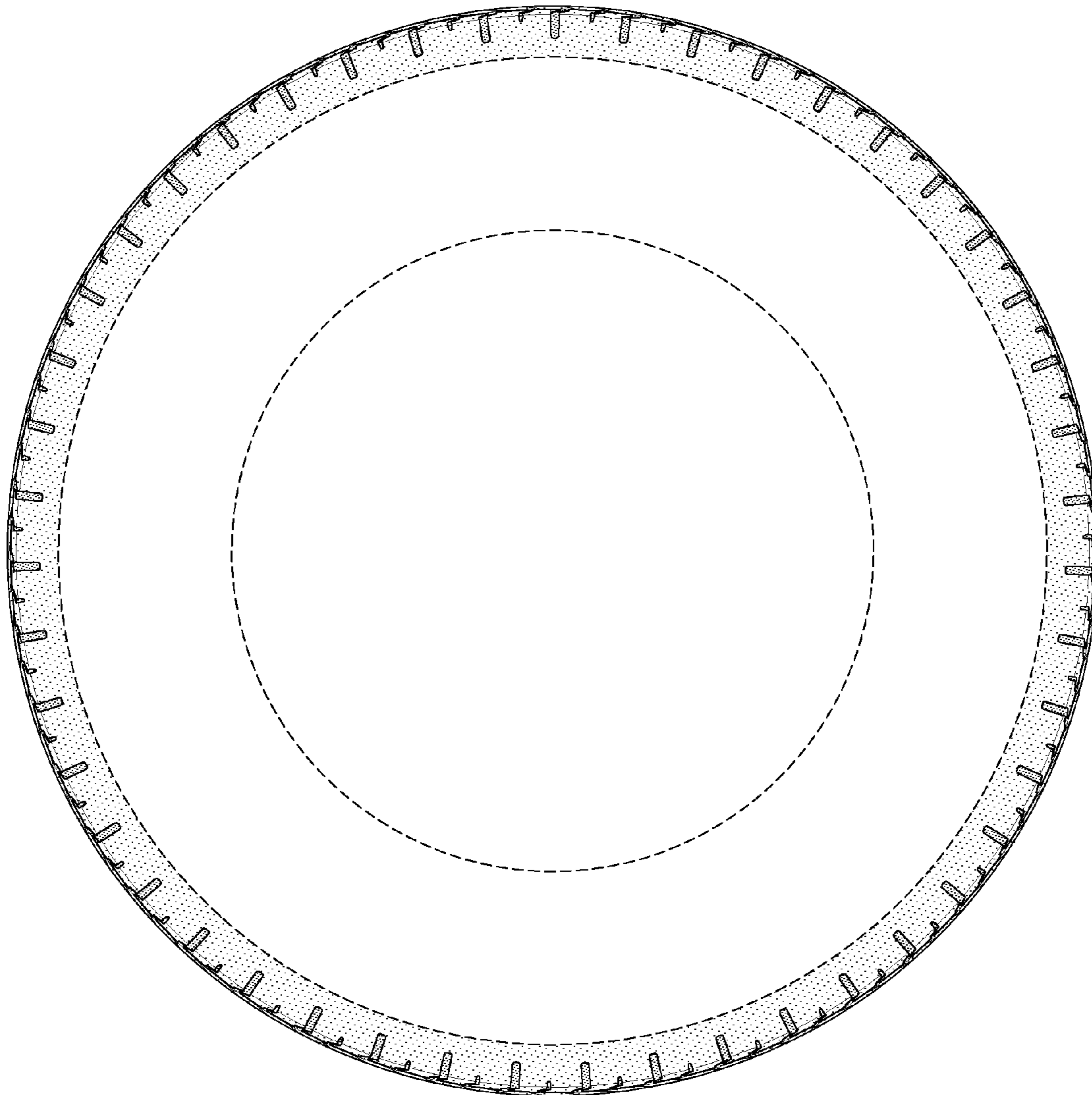


FIG-3

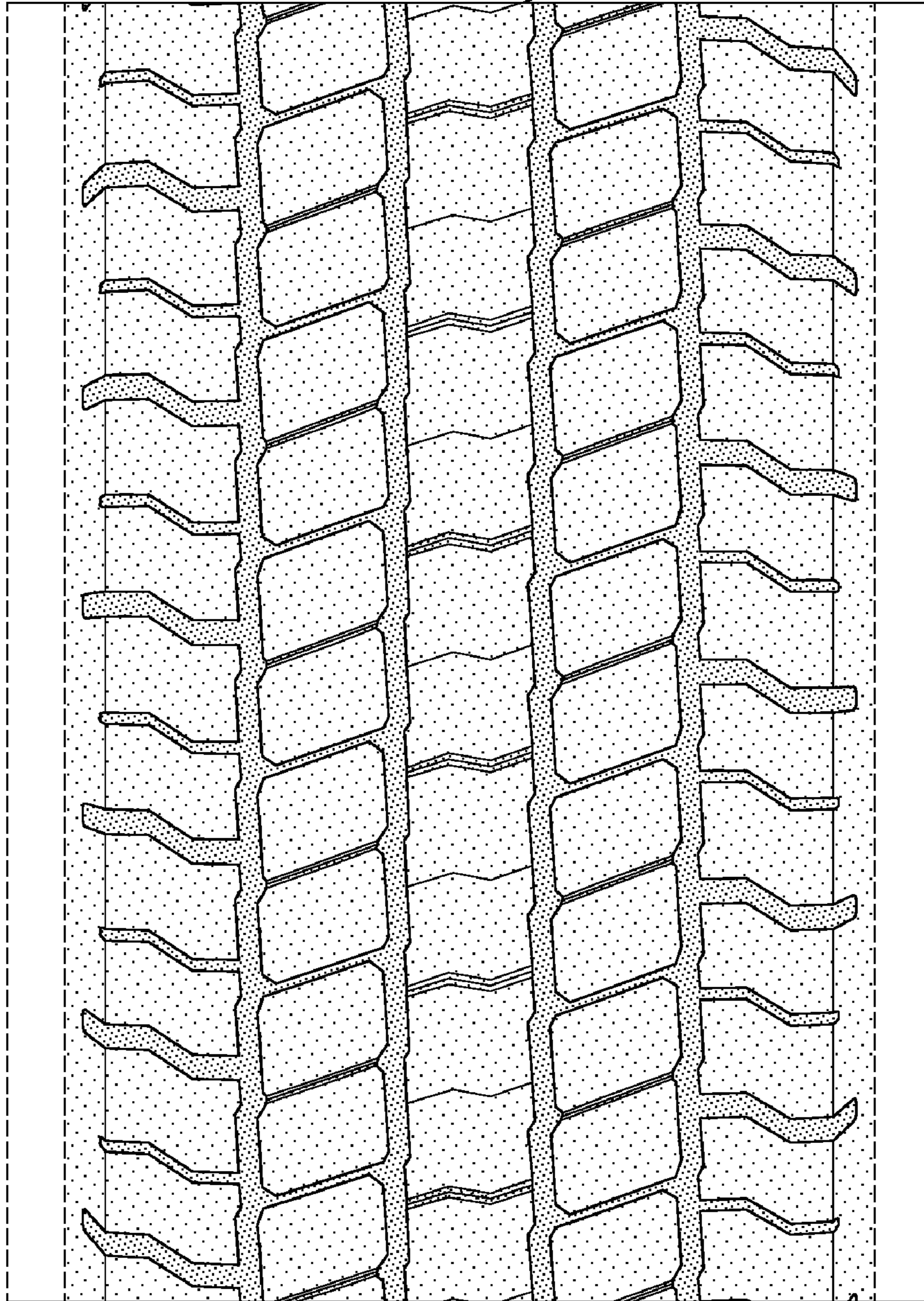


FIG-4

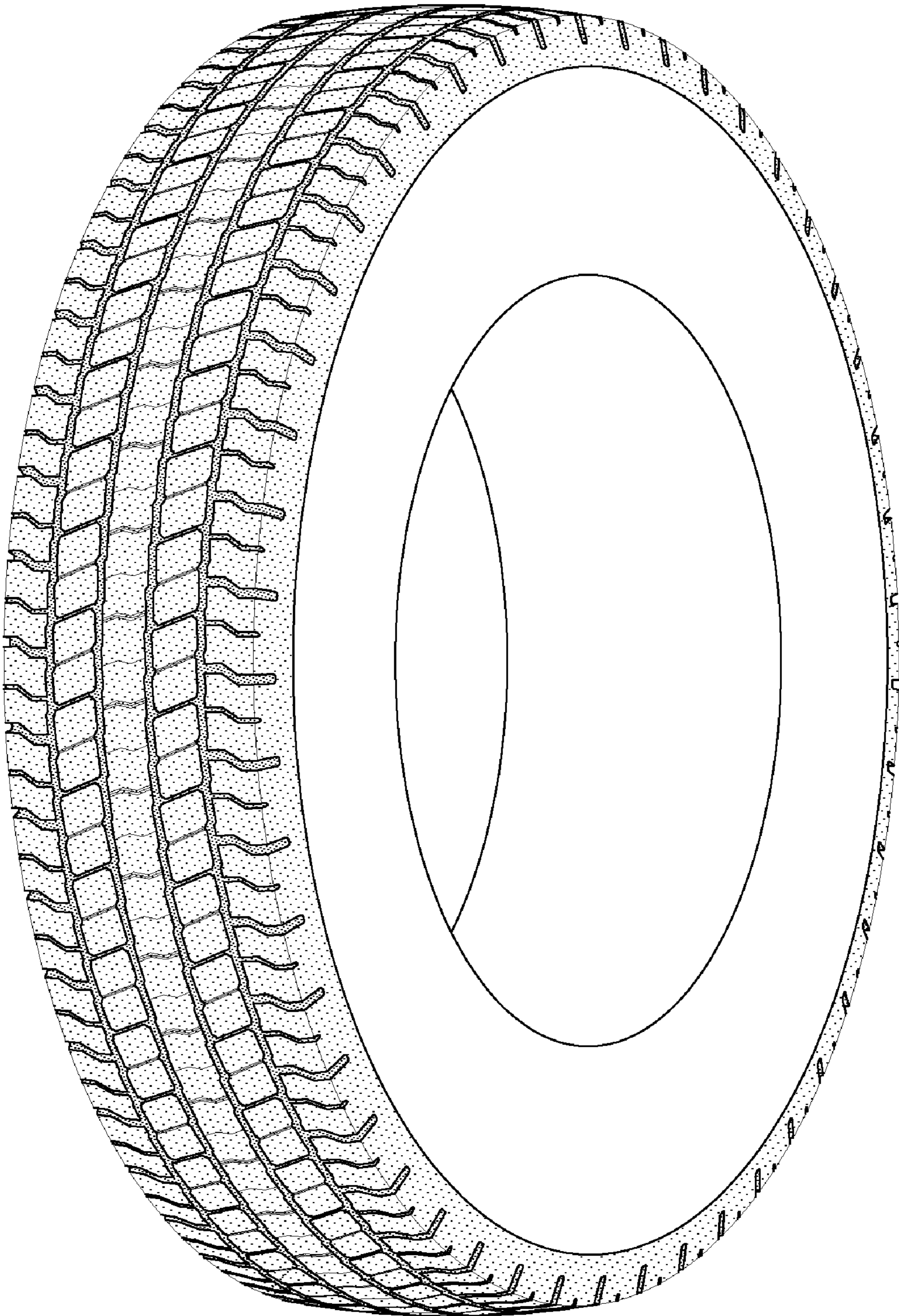


FIG-5

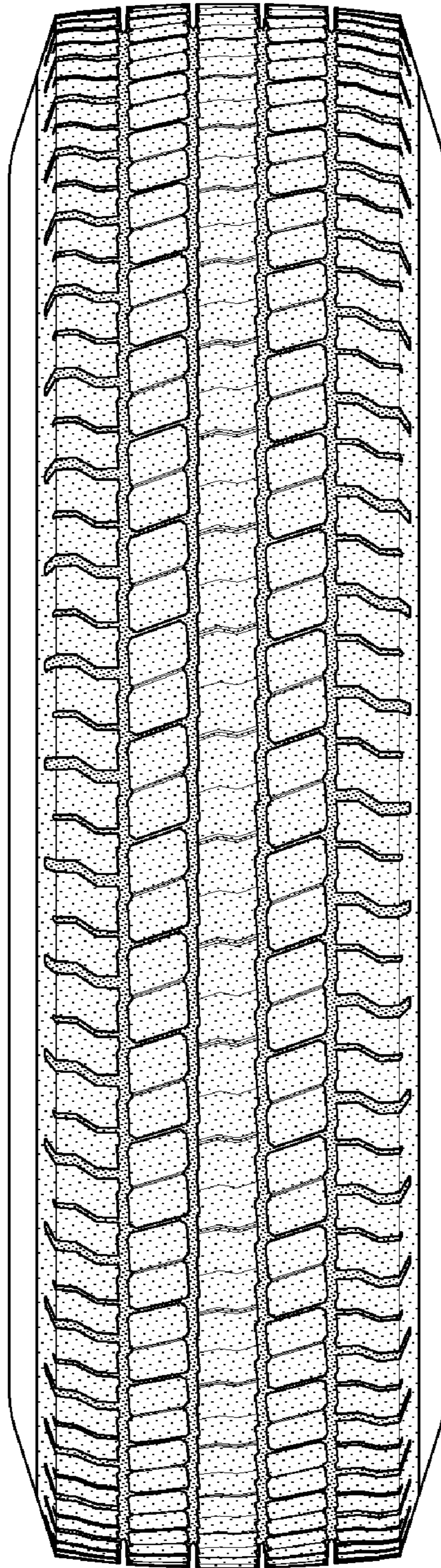


FIG-6