



US00D628952S

(12) **United States Design Patent**  
**Villamizar et al.**

(10) **Patent No.:** **US D628,952 S**

(45) **Date of Patent:** **\*\* Dec. 14, 2010**

(54) **TIRE**

(75) Inventors: **William Urbano Villamizar**, Mersch (LU); **Bernard Jean Francois Croissant**, Bastogne (BE); **Manfred Josef Jung**, Freisen (DE); **Matthieu Pingonat**, Hettange Grande (FR); **Sebastien Willy Fontaine**, Oberfeulen (LU); **Alexander Ossipov**, Leuven (BE); **Nicolas Claude Jean-Claude Froger**, Attert (BE); **Richard Heinen**, Habay-La-Neuve (BE)

(73) Assignee: **The Goodyear Tire & Rubber Company**, Akron, OH (US)

(\*\*) Term: **14 Years**

(21) Appl. No.: **29/366,027**

(22) Filed: **Jul. 19, 2010**

(51) **LOC (9) Cl.** ..... **12-15**

(52) **U.S. Cl.** ..... **D12/521**

(58) **Field of Classification Search** ..... D12/500-532, D12/900; 152/209.1, 209.8-209.19, 209.25-209.28  
See application file for complete search history.

(56) **References Cited**

U.S. PATENT DOCUMENTS

D490,046 S	5/2004	Fukunaga	.....	D12/521
D522,442 S	6/2006	Shirouzu	.....	D12/515
D525,186 S *	7/2006	Martin	.....	D12/521
D545,756 S	7/2007	Feider et al.	.....	D12/521
D558,128 S	12/2007	Delu et al.	.....	D12/521
D560,595 S *	1/2008	Bindner et al.	.....	D12/521
D579,855 S	11/2008	Fontaine et al.	.....	D12/521
D586,726 S *	2/2009	Baumard et al.	.....	D12/521
D593,931 S *	6/2009	Fontaine et al.	.....	D12/521
D599,277 S	9/2009	Froger et al.	.....	D12/521

D599,728 S	9/2009	Froger et al.	.....	D12/521
D606,924 S *	12/2009	Bervas et al.	.....	D12/521
D606,926 S *	12/2009	Heinen et al.	.....	D12/521
D610,525 S *	2/2010	Behr et al.	.....	D12/521
D622,210 S *	8/2010	Raatikainen et al.	.....	D12/521

\* cited by examiner

*Primary Examiner*—Stacia Cadmus

(74) *Attorney, Agent, or Firm*—Richard B. O’Planick

(57) **CLAIM**

The ornamental design for a tire, as shown and described.

**DESCRIPTION**

FIG. 1 is a perspective view of a tire showing our new design, it being understood that the pattern repeats uniformly throughout the circumference of the tread;

FIG. 2 is a front elevational view thereof;

FIG. 3 is a right side elevational view thereof;

FIG. 4 is a left side elevational view thereof;

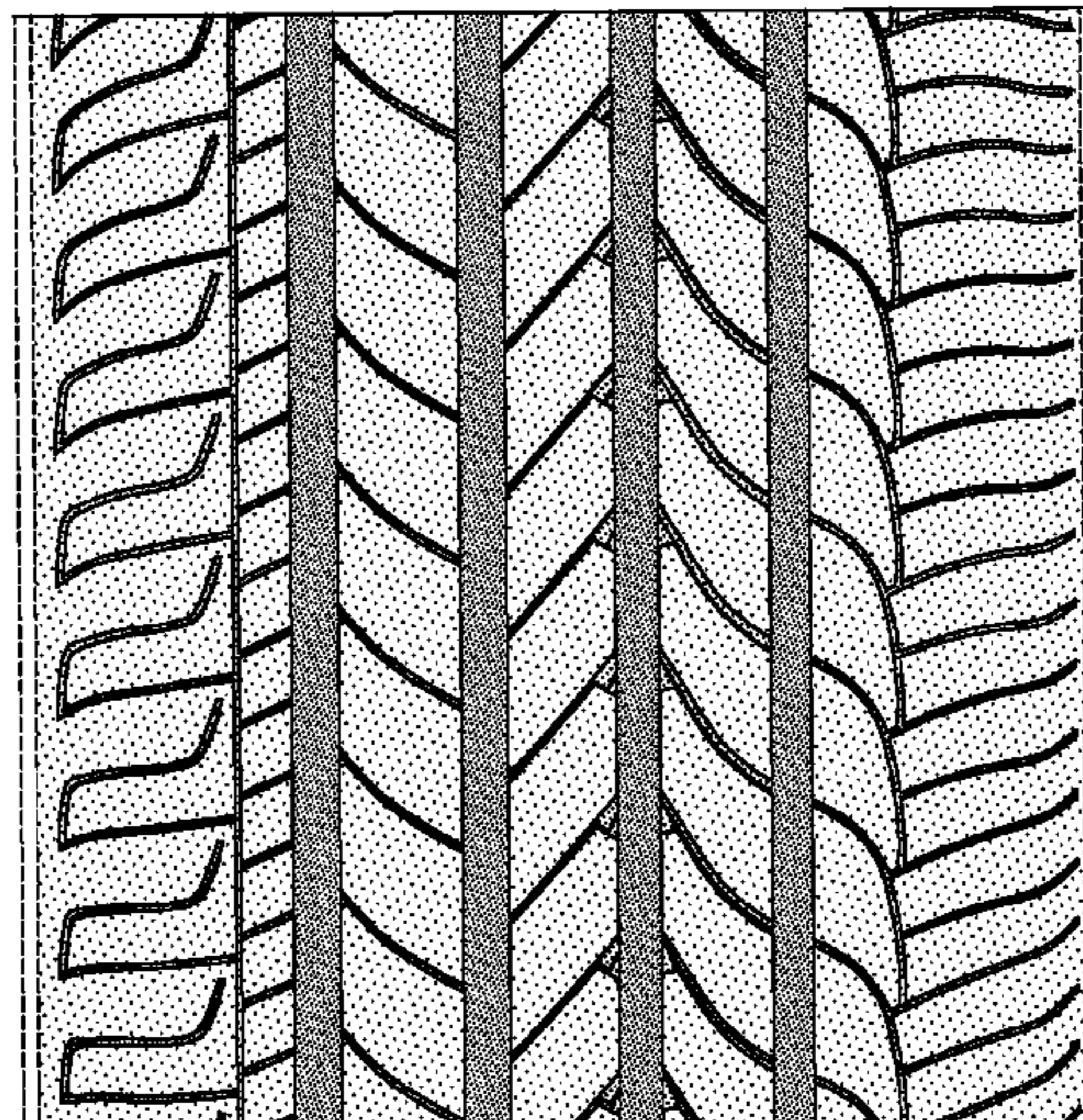
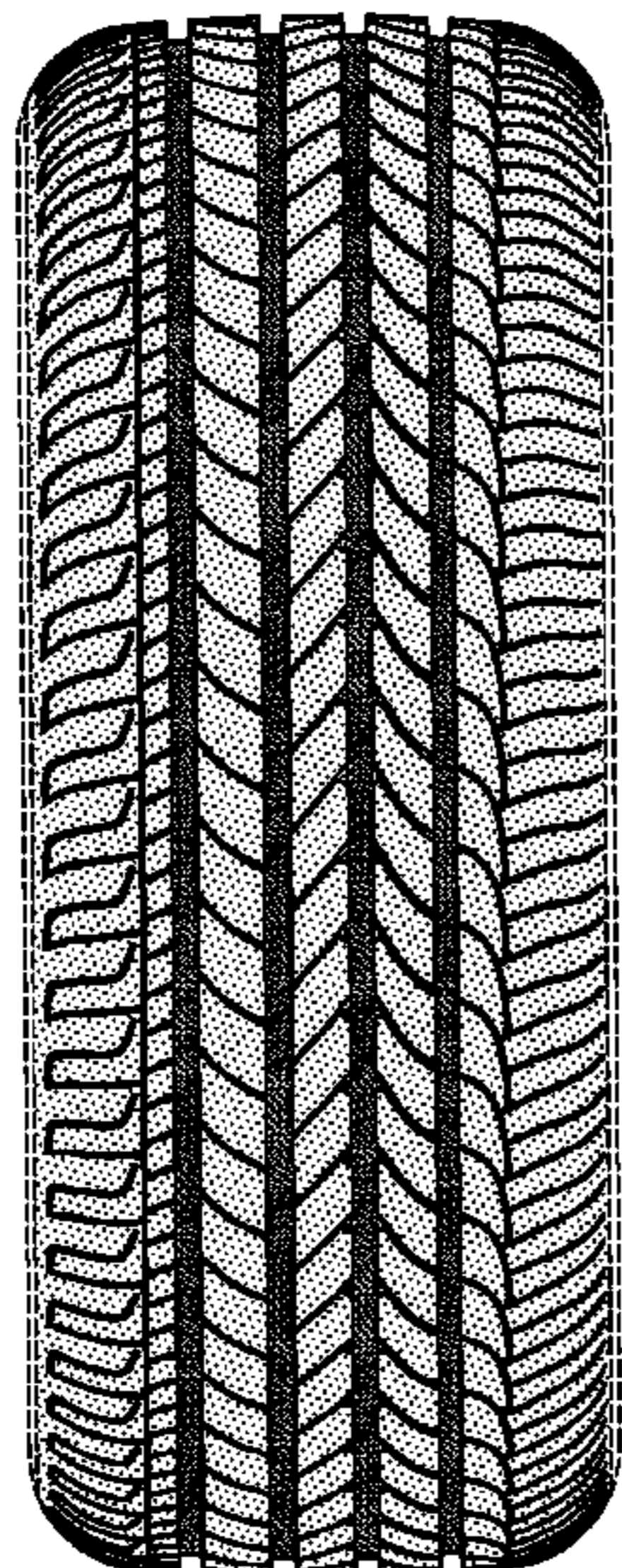
FIG. 5 is an enlarged fragmentary front elevational view thereof;

FIG. 6 is a perspective view of a second embodiment of a tire showing our new design, it being understood that the pattern repeats uniformly throughout the circumference of the tread and that the opposite side view is identical thereto; and,

FIG. 7 is a front elevational view of a second embodiment, it being understood that an enlarged fragmentary view thereof would be substantially identical to that shown in FIG. 5, with the exception of the inclusion of the sidewall in solid lines.

In the drawings, the broken lines showing of the sidewall, inner bead and the peripheral boundary between the tire tread and the sidewall in FIGS. 1 through 5 depict environmental subject matter and form no part of the claimed design.

**1 Claim, 7 Drawing Sheets**



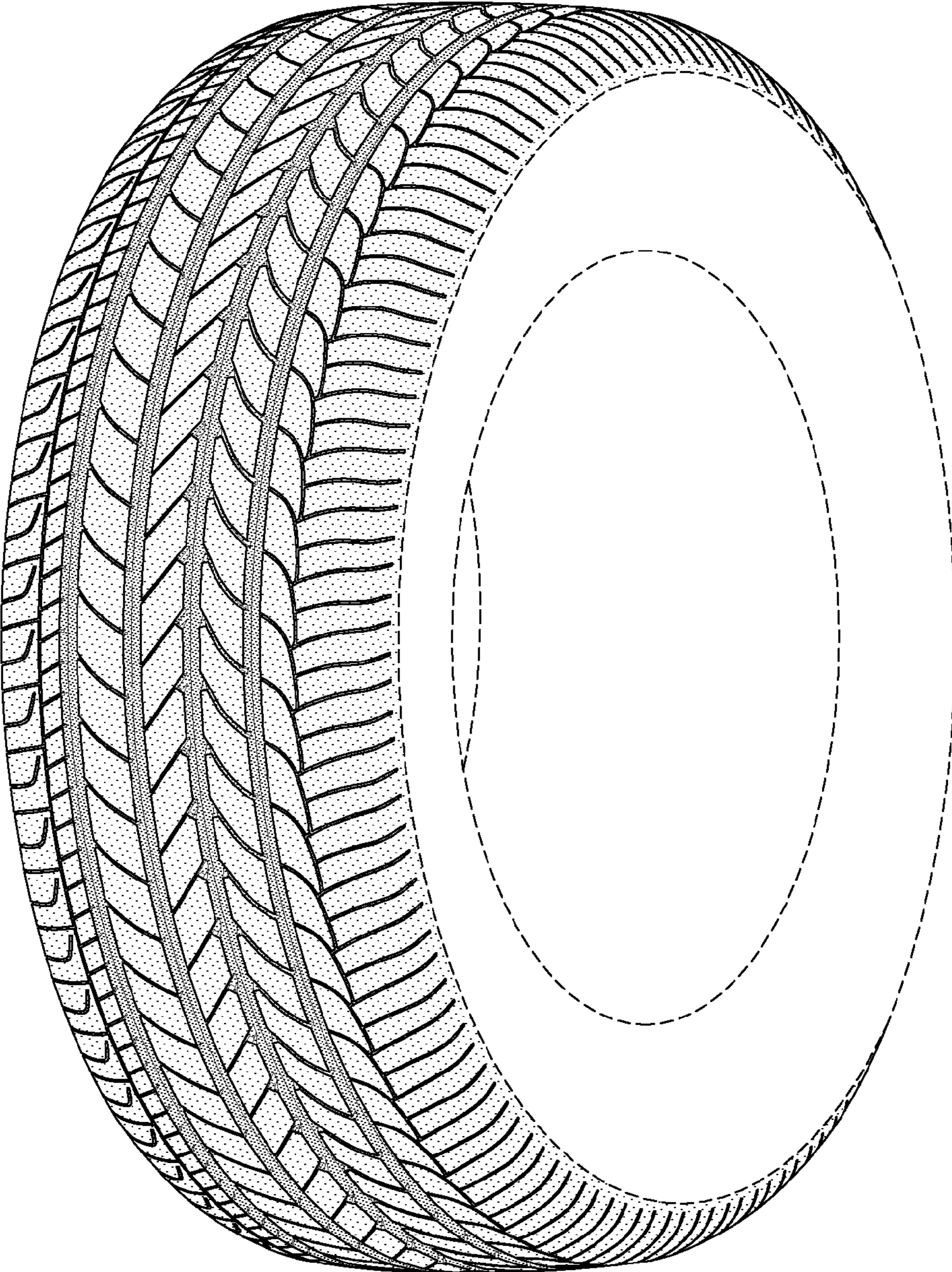


FIG-1

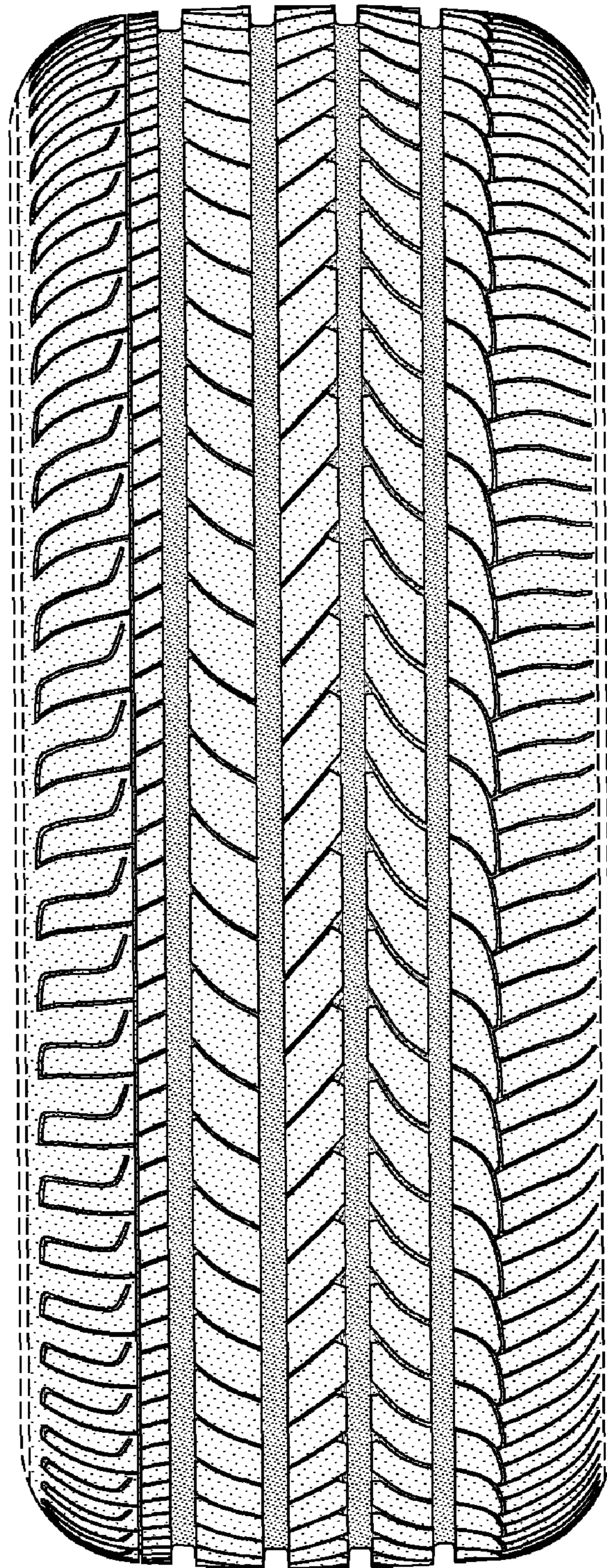


FIG-2

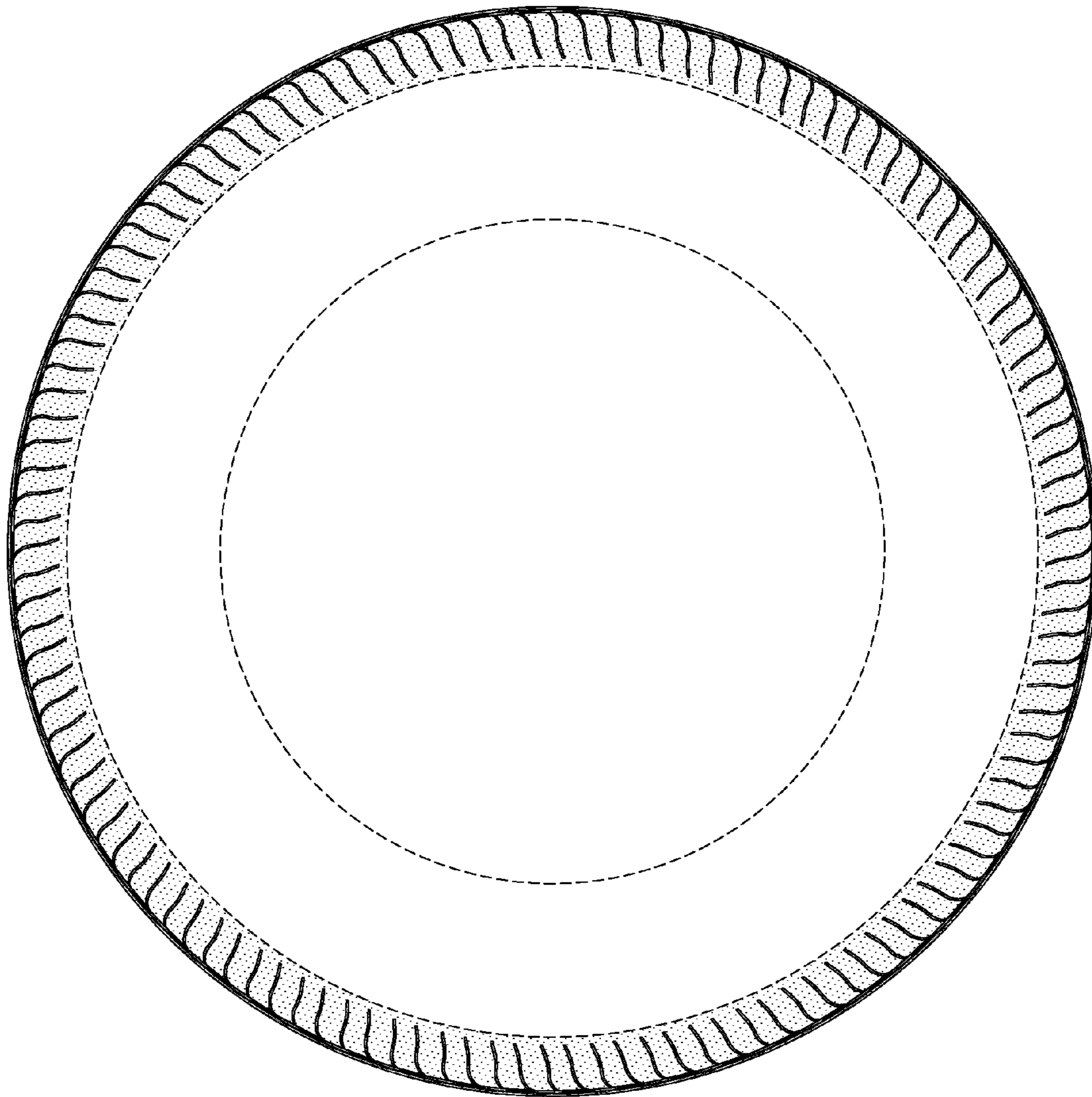


FIG-3

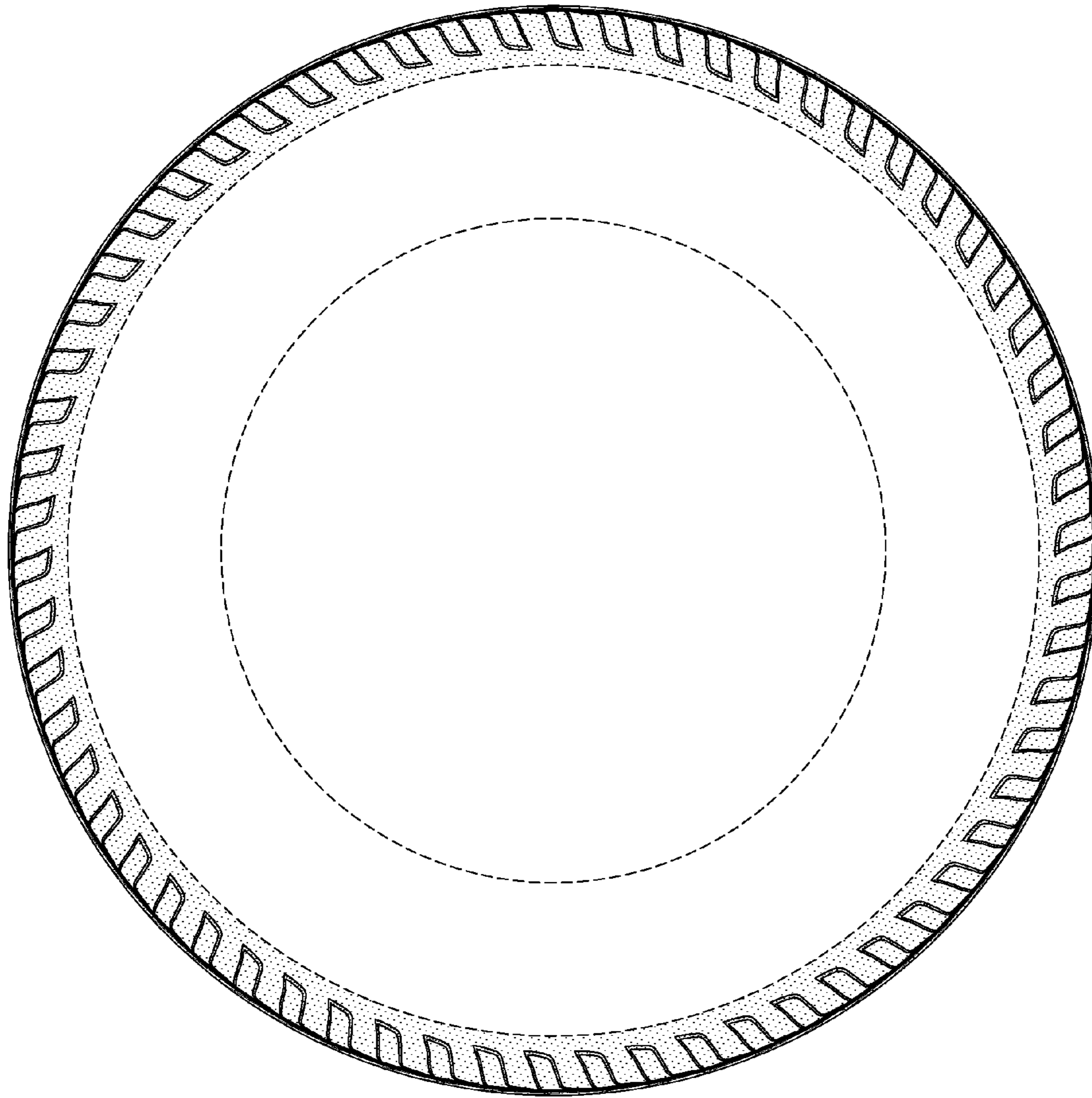


FIG-4

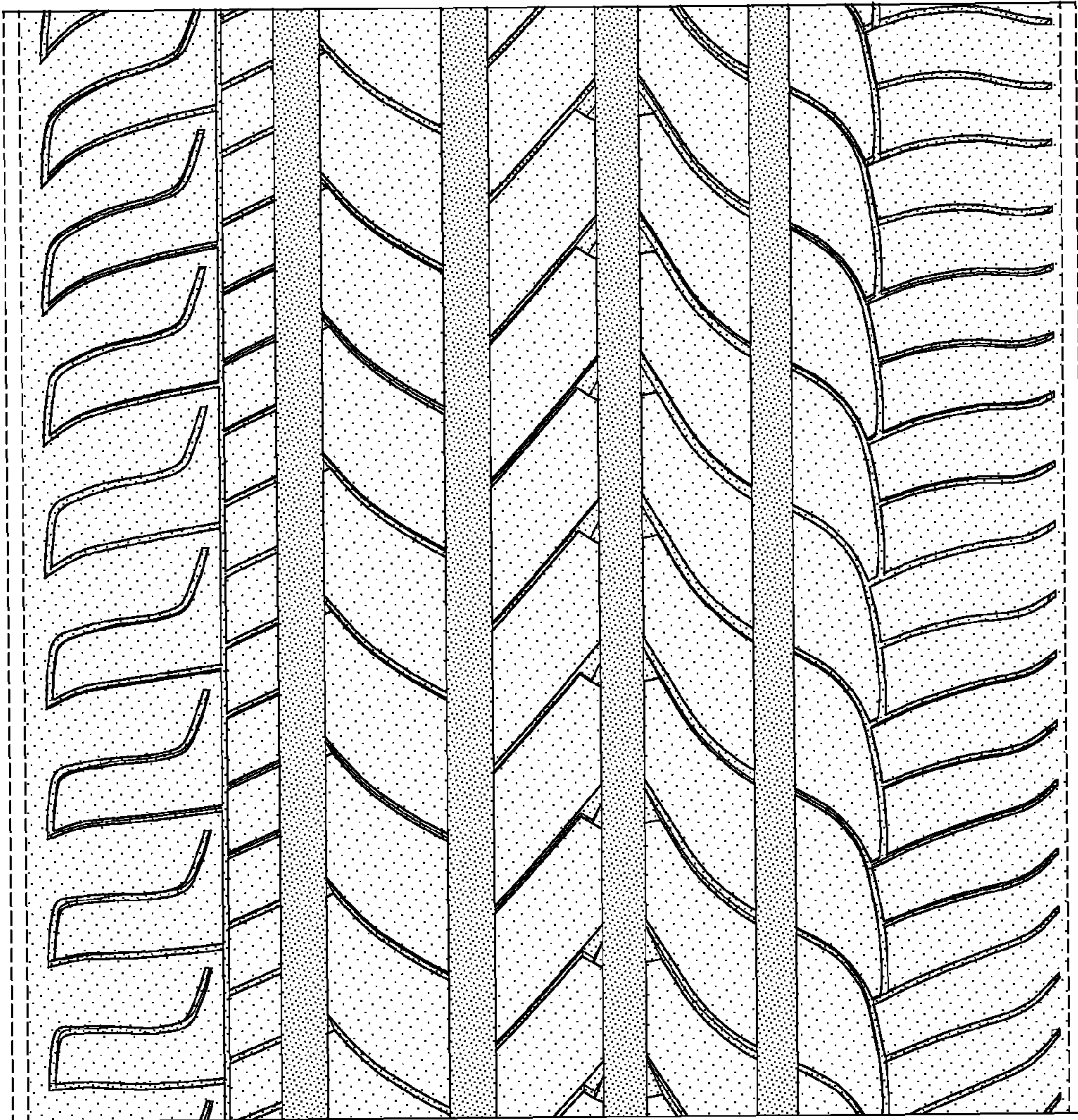


FIG-5

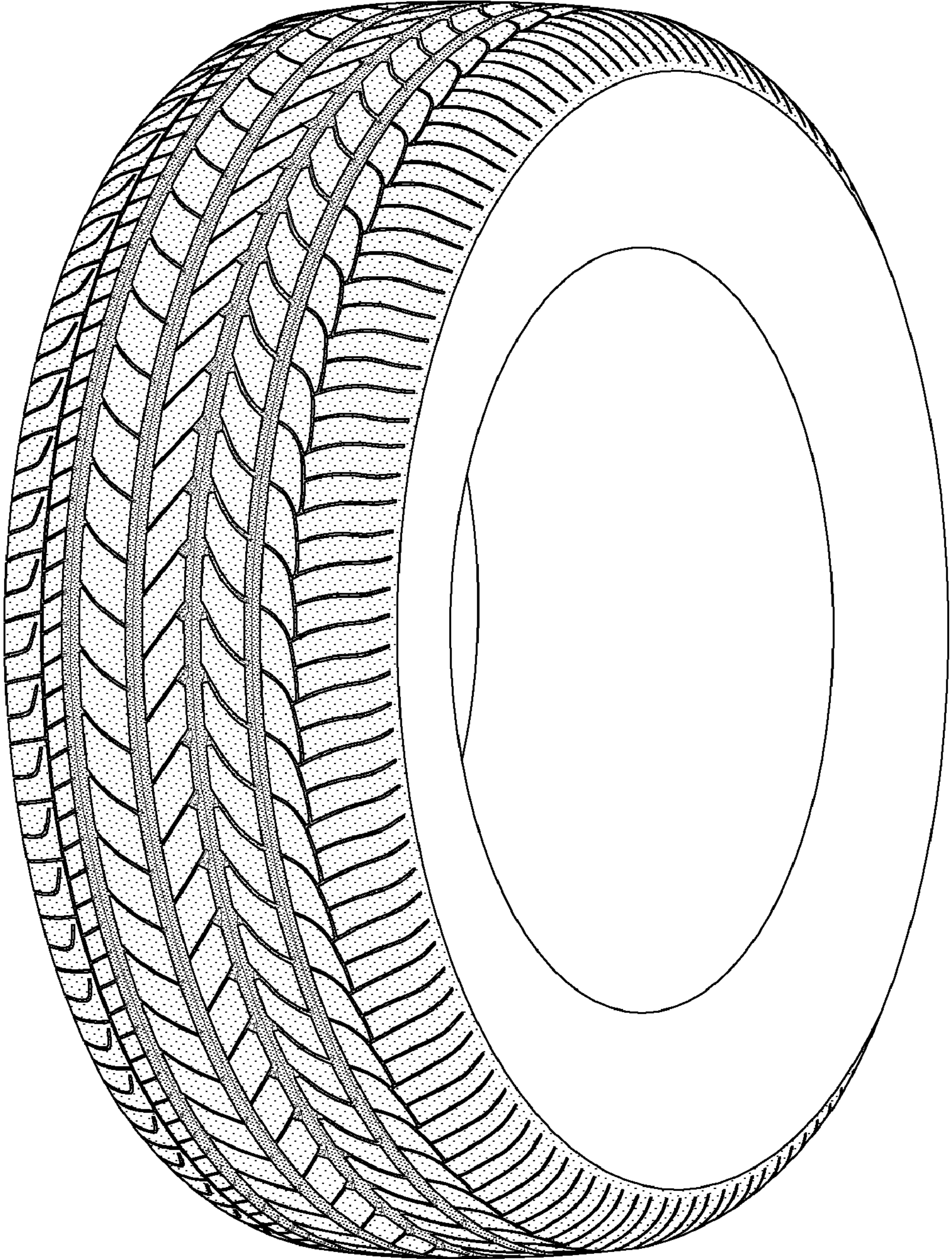


FIG-6

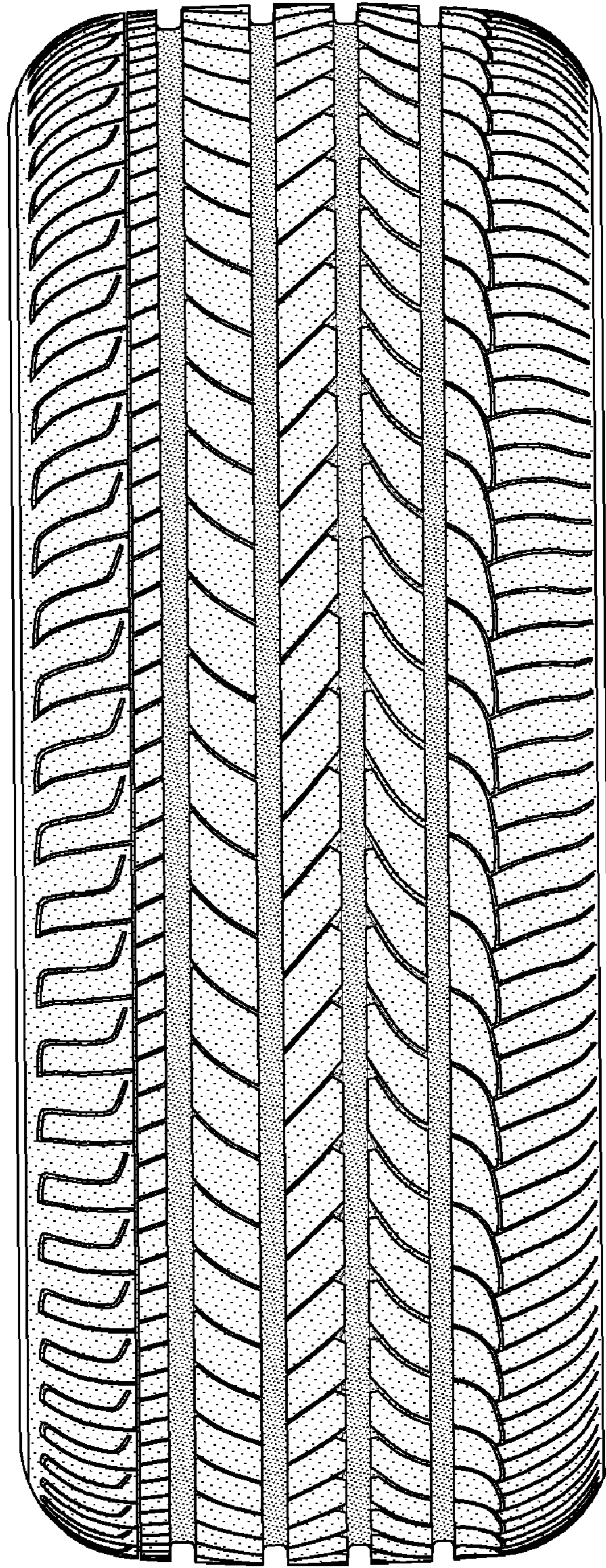


FIG-7