



US00D628950S

(12) **United States Design Patent**
Hsiao

(10) **Patent No.:** **US D628,950 S**

(45) **Date of Patent:** **** Dec. 14, 2010**

(54) **PAD FOR FIXED VEHICLE GPS**

D592,205 S * 5/2009 O'Brien D14/253

(76) Inventor: **Derrick Hsiao**, No. 3, Alley 1, Lane 88,
Sec. 2, Shuiyuan Rd, Xizhi, Taipei (TW)
221

* cited by examiner

Primary Examiner—Caron Veynar
Assistant Examiner—Katrina A Kile
(74) *Attorney, Agent, or Firm*—Banger Shia

(**) Term: **14 Years**

(21) Appl. No.: **29/351,859**

(57) **CLAIM**

(22) Filed: **Dec. 11, 2009**

The ornamental design for pad for fixed vehicle GPS, as shown and described.

(51) **LOC (9) Cl.** **12-16**

(52) **U.S. Cl.** **D12/415**

(58) **Field of Classification Search** D12/415-419,
D12/420; 296/36; 22/539; 224/404; D8/354;
D14/451-452; 248/278.1, 274.1, 284.1
See application file for complete search history.

DESCRIPTION

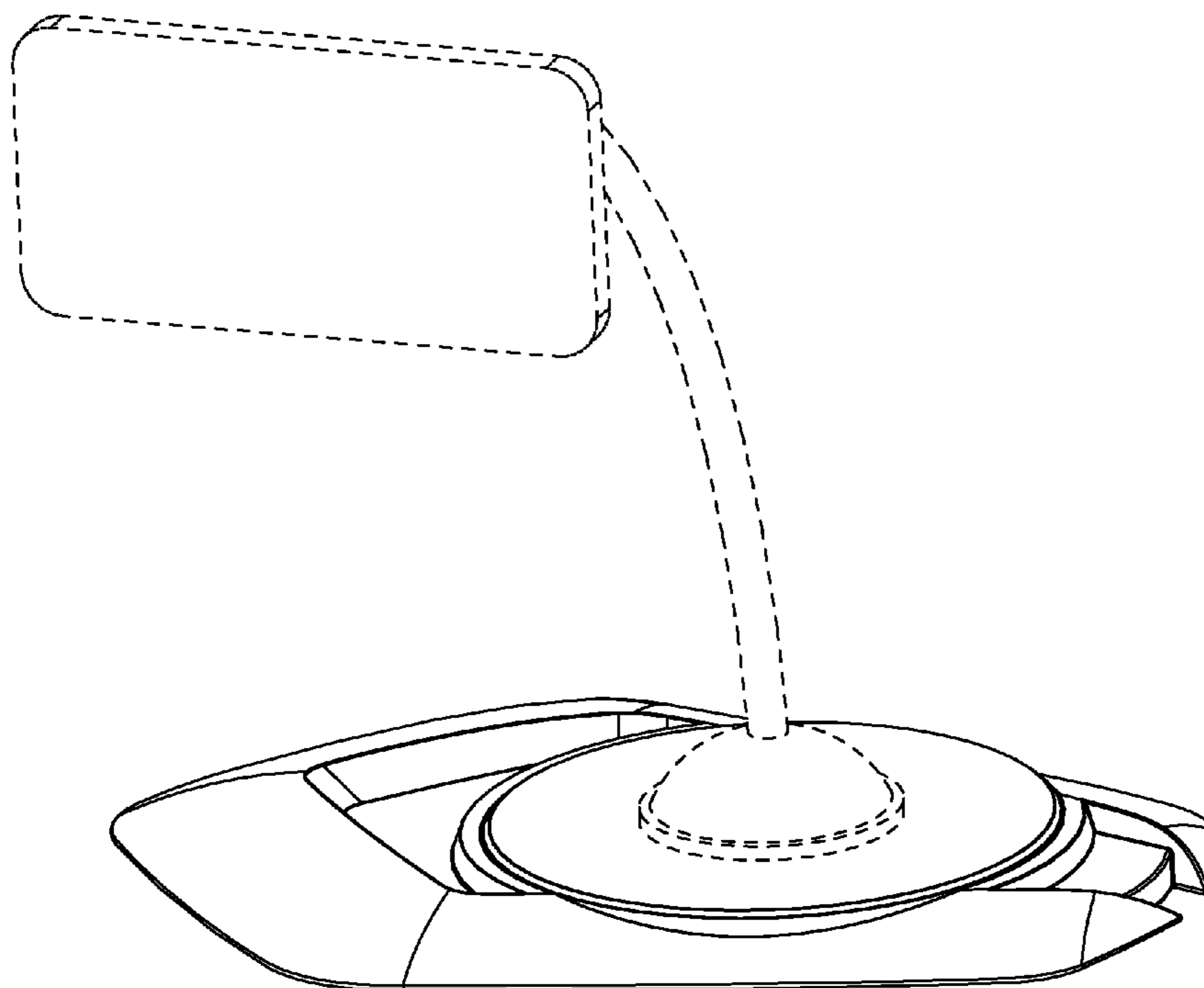
FIG. 1 is a perspective view of pad for fixed vehicle GPS showing my present design,
FIG. 2 is a front view thereof;
FIG. 3 is a rear view thereof;
FIG. 4 is a left view thereof;
FIG. 5 is a right view thereof;
FIG. 6 is a top view thereof;
FIG. 7 is a bottom view; and,
FIG. 8 is a perspective view of pad for fixed vehicle GPS.
In the drawings, the broken lines shown in FIG. 8 depict a GPS and form no part of the claimed design.

(56) **References Cited**

U.S. PATENT DOCUMENTS

6,378,830	B1 *	4/2002	Lu	248/278.1
D478,088	S *	8/2003	Hamouz	D14/451
6,601,810	B2 *	8/2003	Lee	248/278.1
D508,696	S *	8/2005	Ramey et al.	D14/451
D542,296	S *	5/2007	Bockheim et al.	D14/451
7,237,755	B2 *	7/2007	Cho et al.	248/274.1
7,413,152	B1 *	8/2008	Chen	248/176.1
7,424,994	B2 *	9/2008	Jeong	248/278.1
7,494,104	B2 *	2/2009	Baek	248/372.1

1 Claim, 5 Drawing Sheets



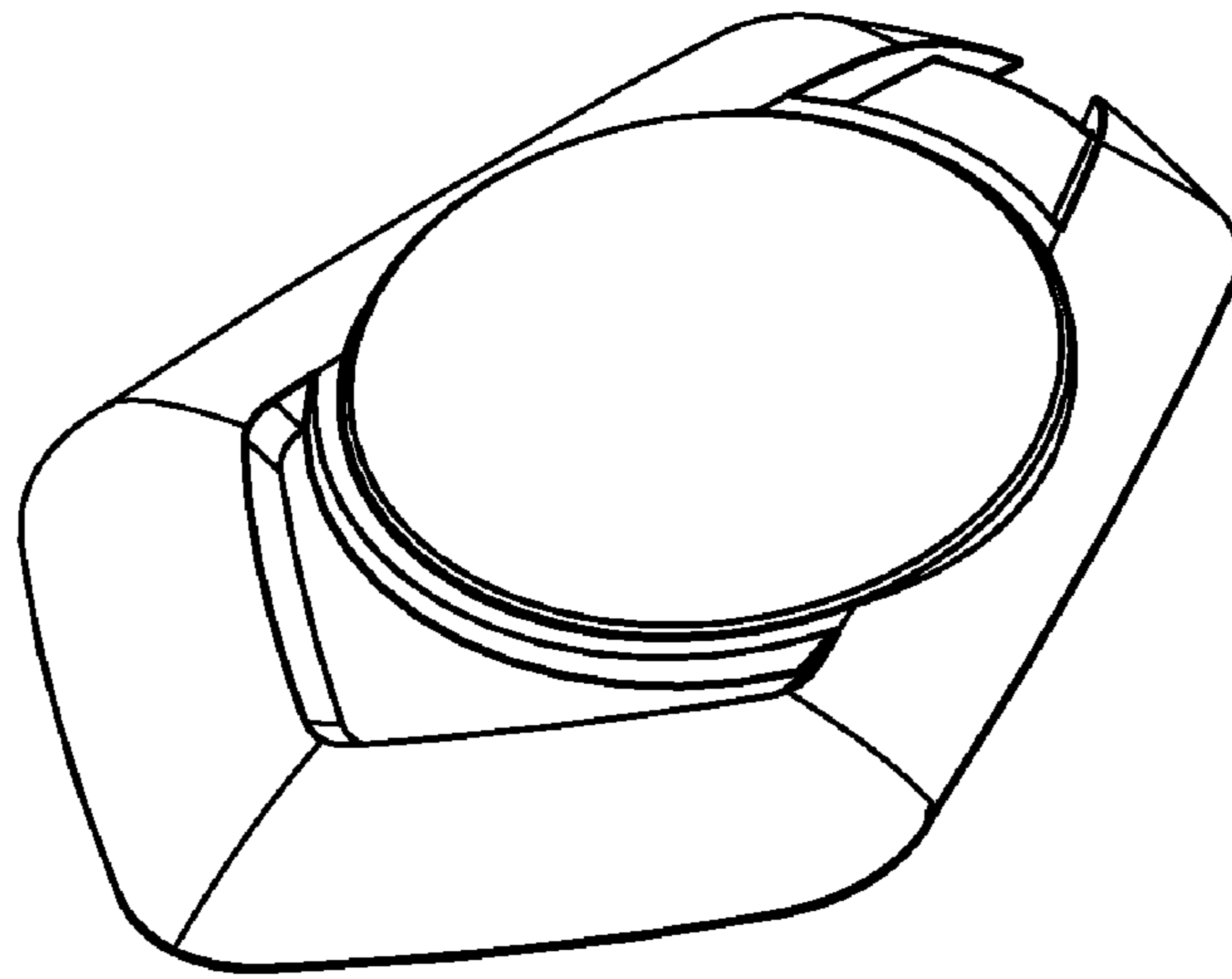


FIG. 1

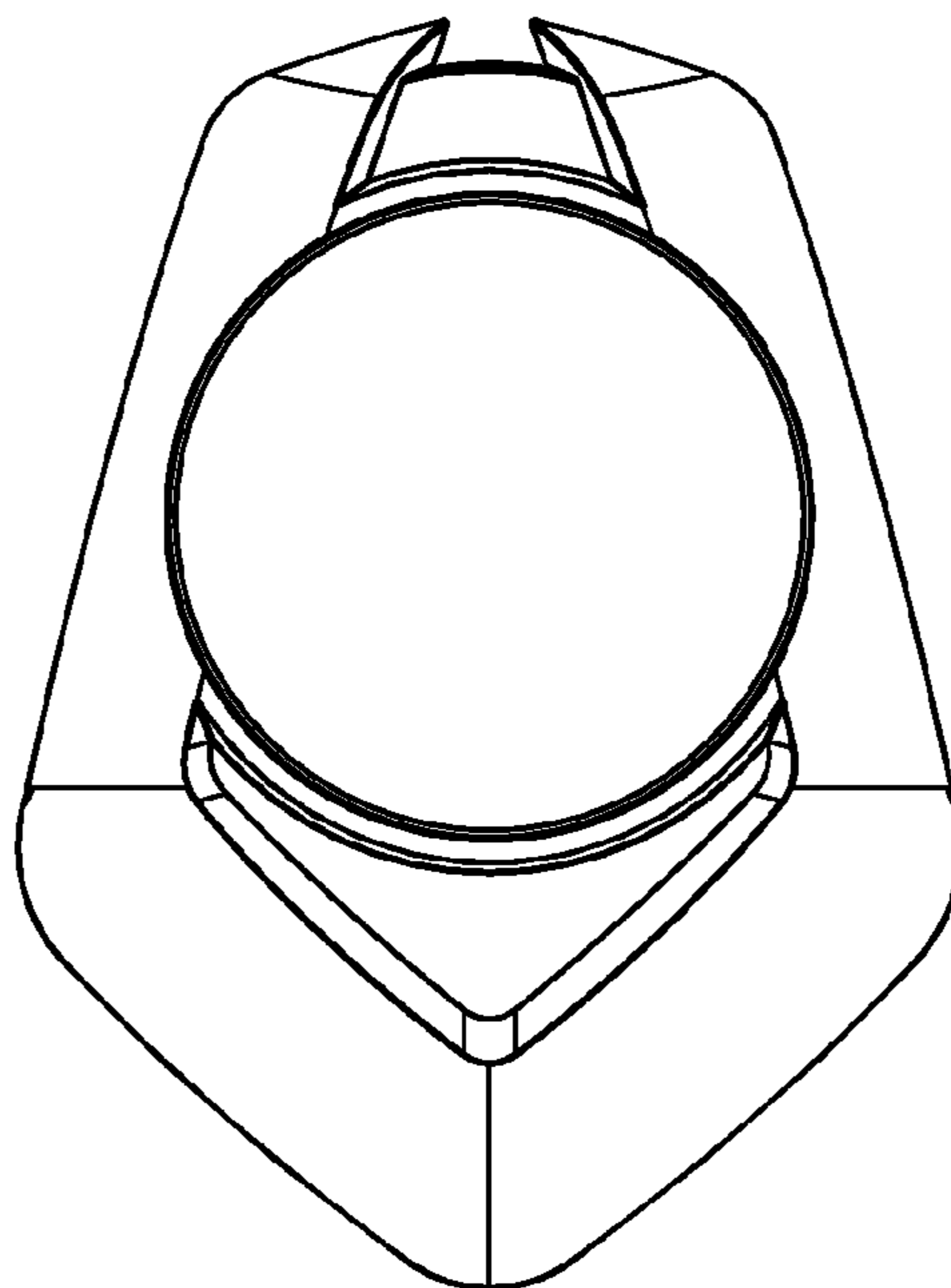


FIG. 2

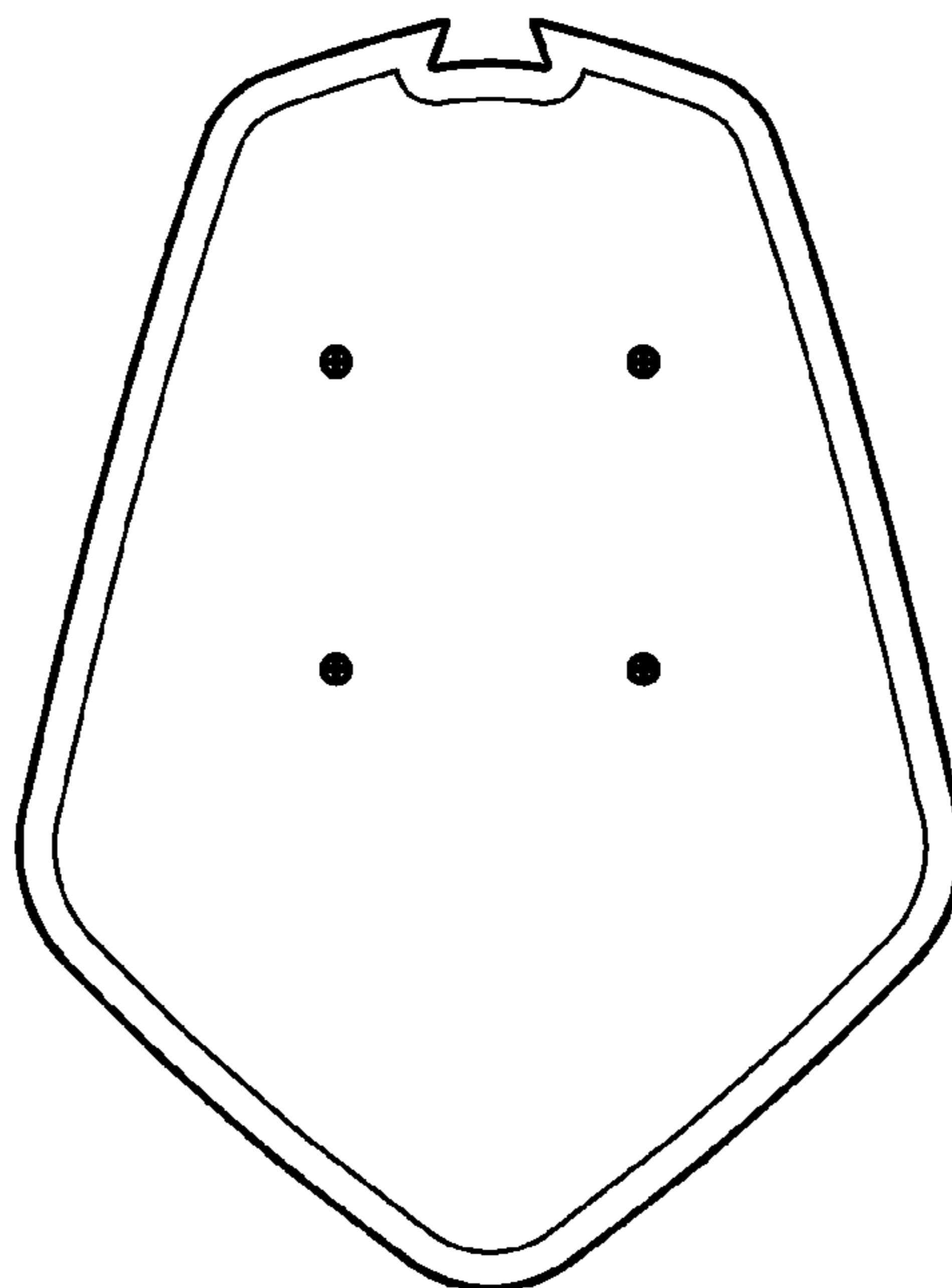


FIG. 3



FIG. 4



FIG. 5



FIG. 6

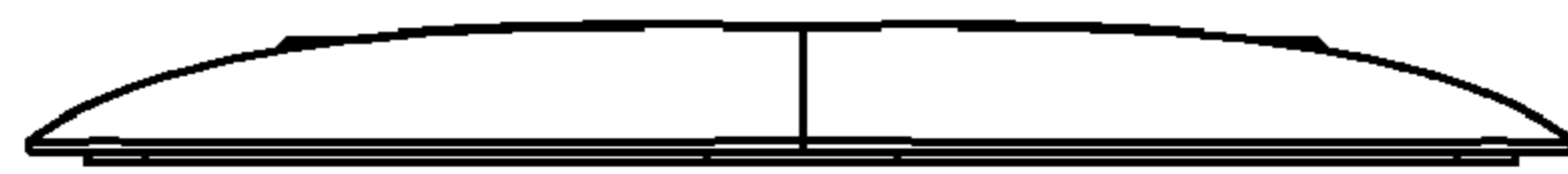


FIG. 7

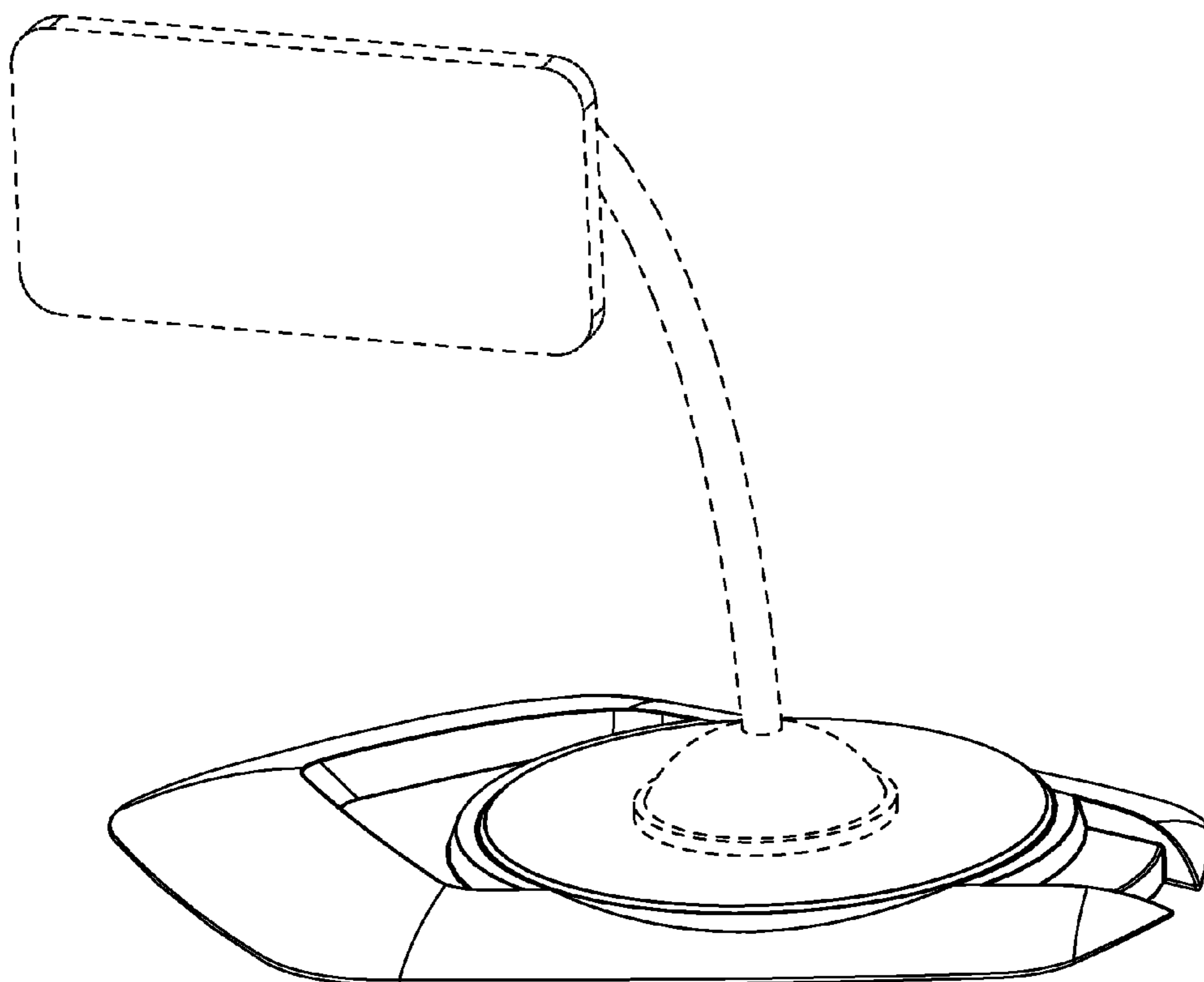


FIG. 8