



US00D628945S

(12) **United States Design Patent**  
**Ino et al.**

(10) **Patent No.:** **US D628,945 S**

(45) **Date of Patent:** **\*\* Dec. 14, 2010**

(54) **REAR BUMPER FOR AUTOMOBILE**

D602,822 S \* 10/2009 Irie ..... D12/169  
D614,543 S \* 4/2010 Kitazumi et al. .... D12/163

(75) Inventors: **Masanobu Ino**, Kanagawa (JP); **Shinya Momokawa**, Kanagawa (JP); **Akihiro Sugita**, Kanagawa (JP)

FOREIGN PATENT DOCUMENTS

JP 1183402 S 9/2003

(73) Assignee: **Nissan Jidosha Kabushiki Kaisha**, Kanagawa (JP)

\* cited by examiner

(\*\*) Term: **14 Years**

*Primary Examiner*—Melody N Brown  
(74) *Attorney, Agent, or Firm*—Fross Zelnick Lehrman & Zissu, P.C.; Lawrence E. Apolzon, Esq.

(21) Appl. No.: **29/349,253**

(57) **CLAIM**

(22) Filed: **Mar. 19, 2010**

The ornamental design for a rear bumper for automobile, as shown and described.

(30) **Foreign Application Priority Data**

**DESCRIPTION**

Sep. 24, 2009 (JP) ..... 2009-021957

FIG. 1 is a perspective view of the front, right and top of a rear bumper for automobile showing our new design;

(51) **LOC (9) Cl.** ..... **12-16**

(52) **U.S. Cl.** ..... **D12/169**

(58) **Field of Classification Search** ..... D12/169,  
D12/196, 90-92; 293/102, 105, 113, 115,  
293/117, 120; 296/180.1, 180.2

FIG. 2 is a front view thereof;

FIG. 3 is a rear view thereof;

FIG. 4 is a left side view thereof;

See application file for complete search history.

FIG. 5 is a right side view thereof;

FIG. 6 is a top plan view thereof; and,

FIG. 7 is a bottom view thereof.

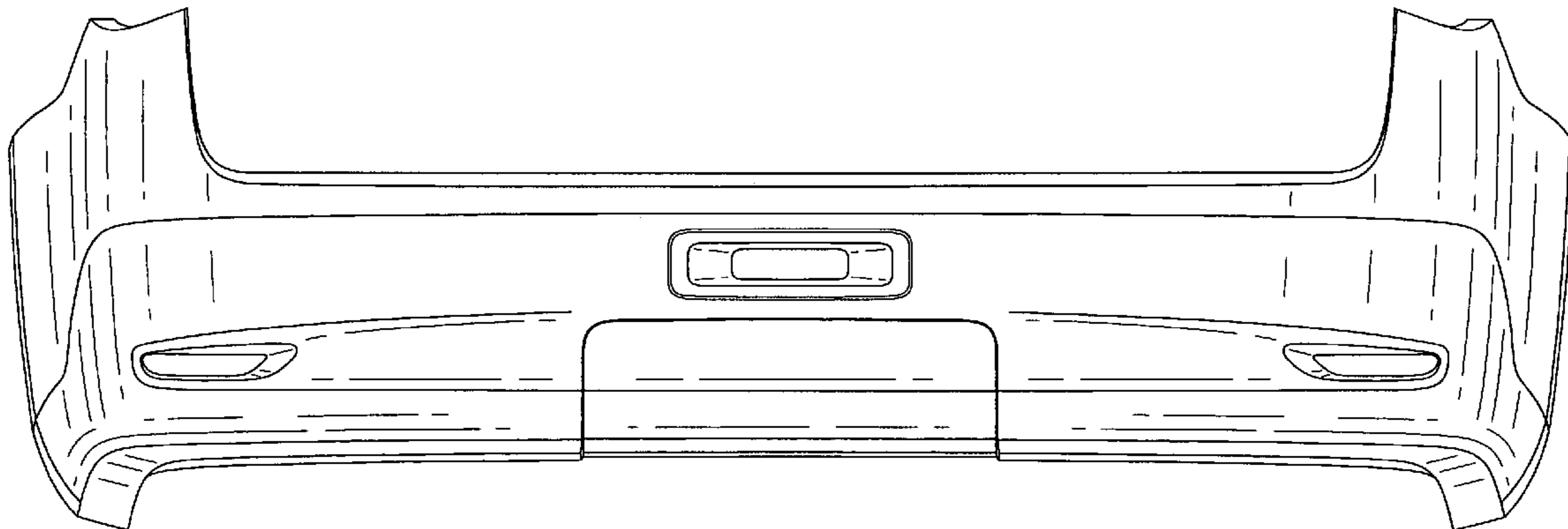
(56) **References Cited**

U.S. PATENT DOCUMENTS

The portions of the bumper shown in broken lines are of illustrative purposes only and form no part of the claimed design.

D583,723 S \* 12/2008 Murakami ..... D12/169  
D589,416 S \* 3/2009 Osborne et al. .... D12/169  
D592,567 S \* 5/2009 Saracoglu ..... D12/169  
D600,176 S \* 9/2009 Yamazaki et al. .... D12/169  
D600,603 S \* 9/2009 Di Buduo ..... D12/169

**1 Claim, 6 Drawing Sheets**



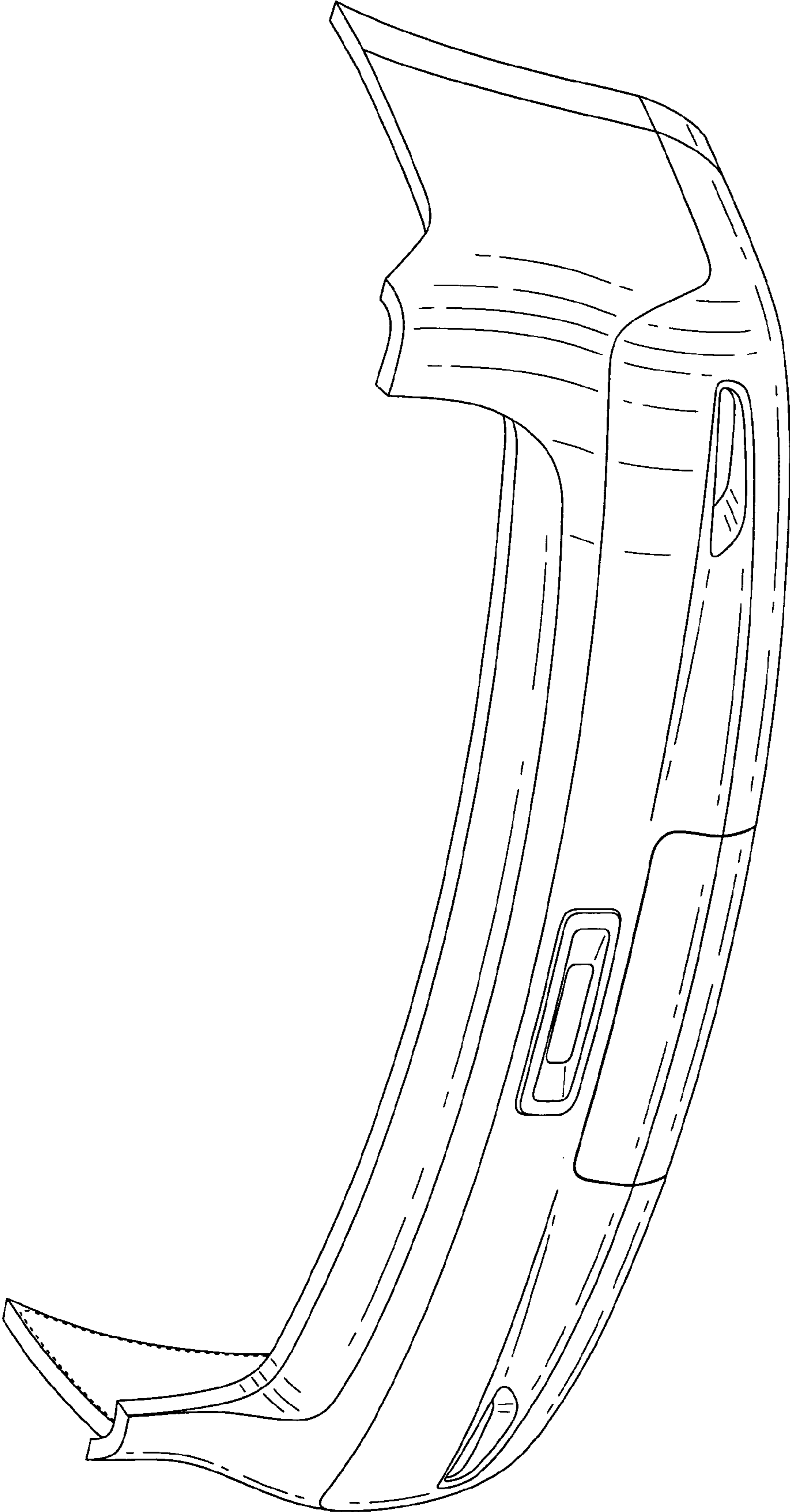


FIG. 1

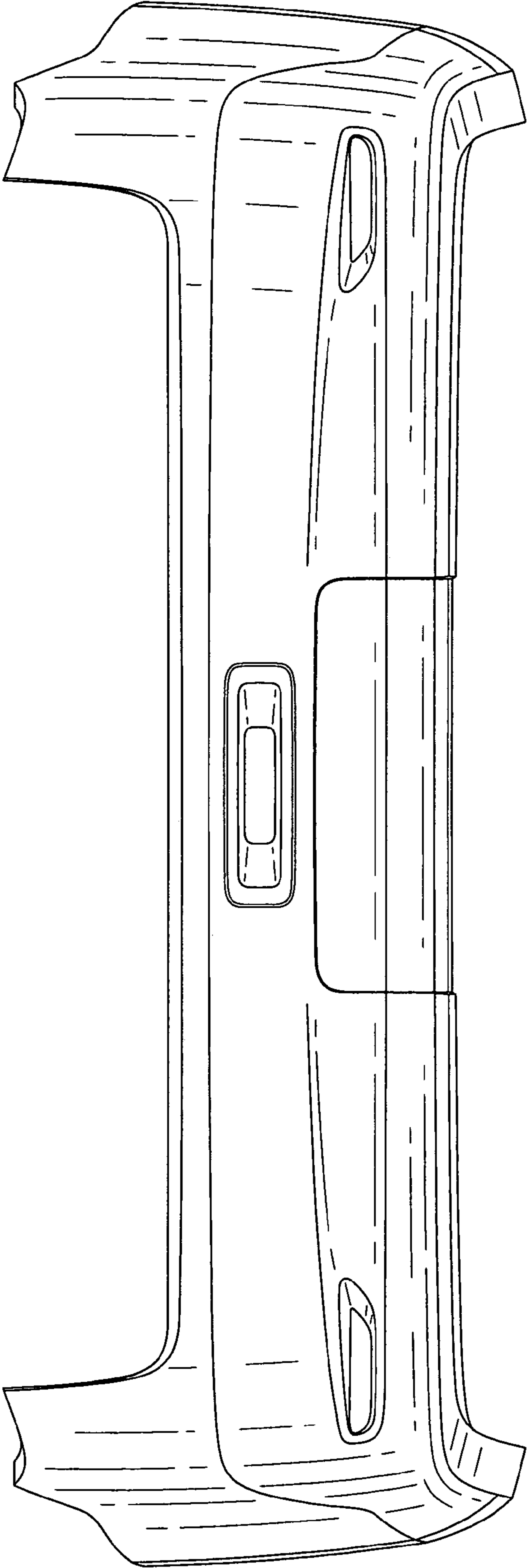


FIG. 2

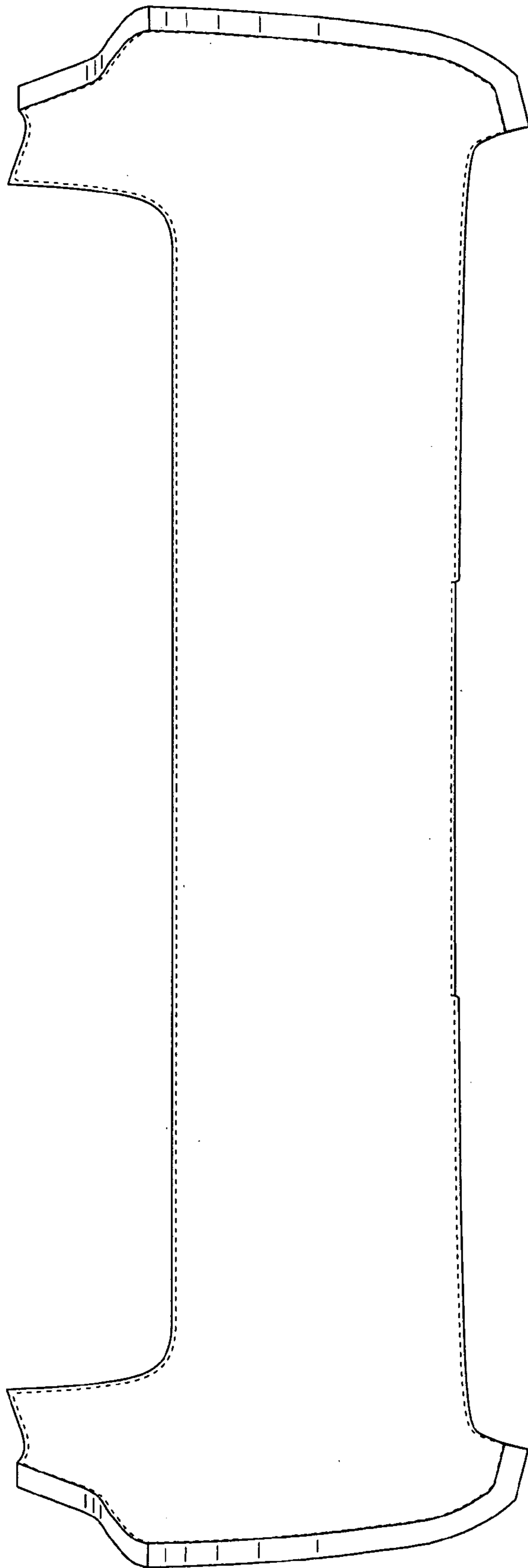


FIG. 3

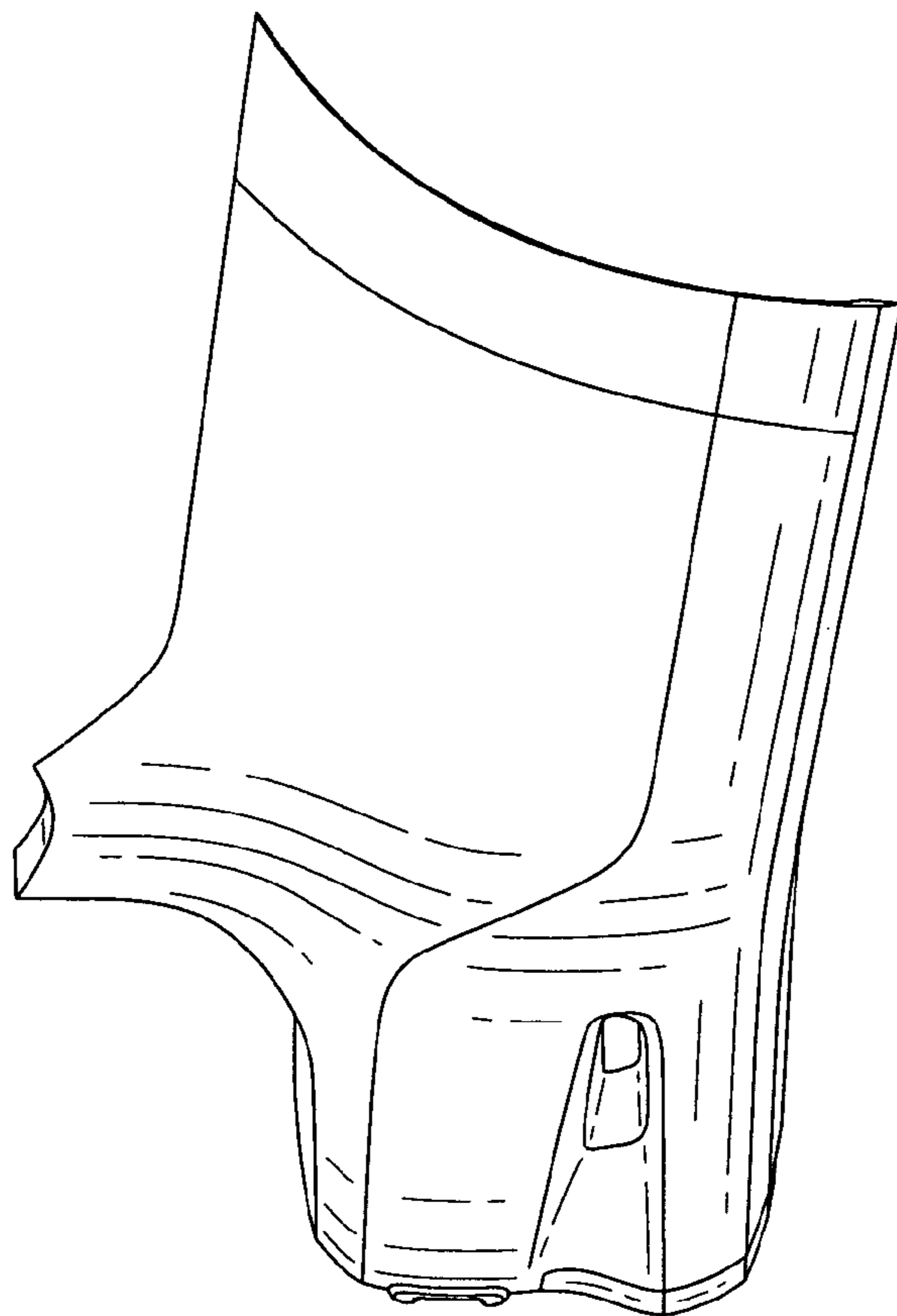


FIG. 5

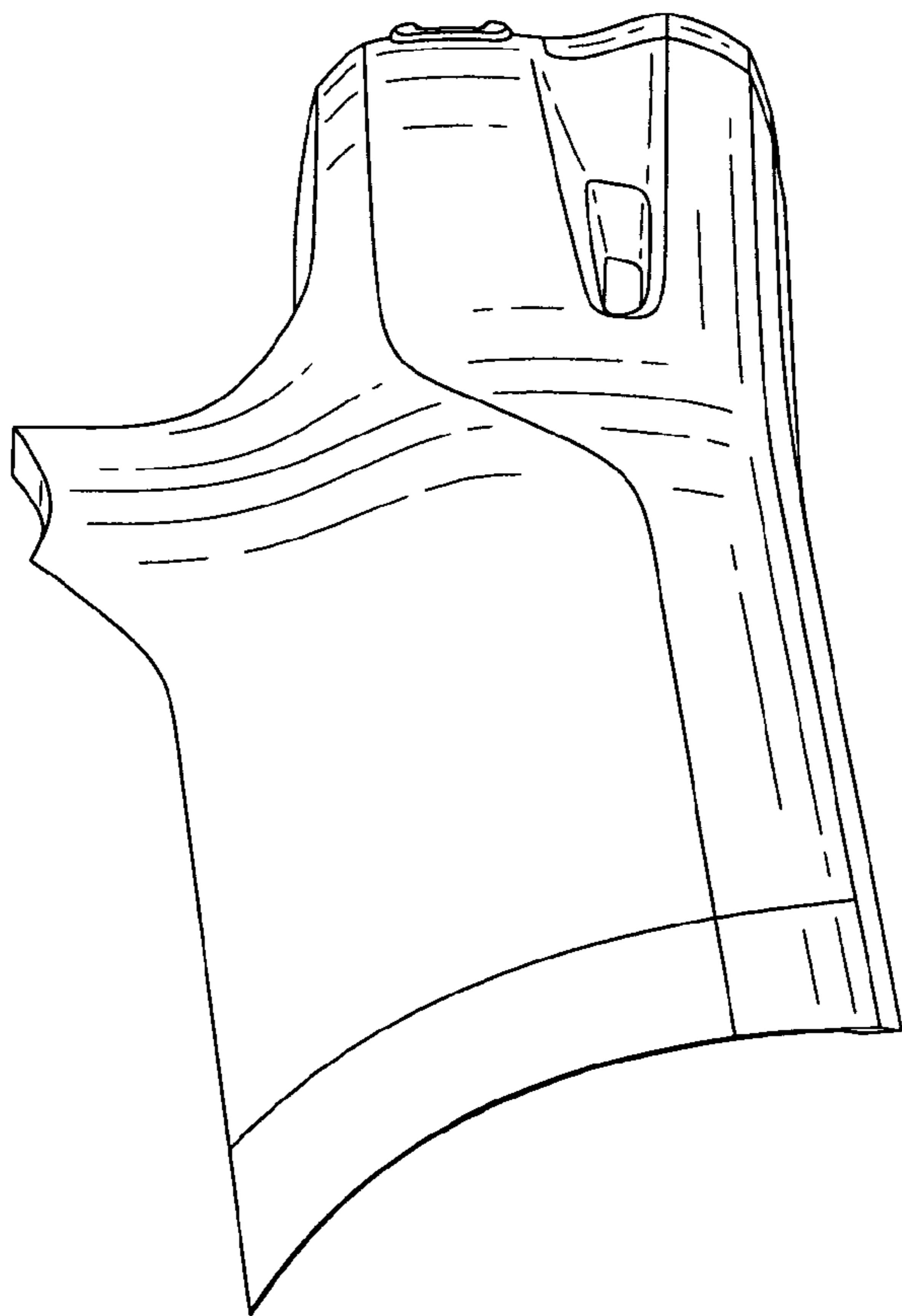


FIG. 4

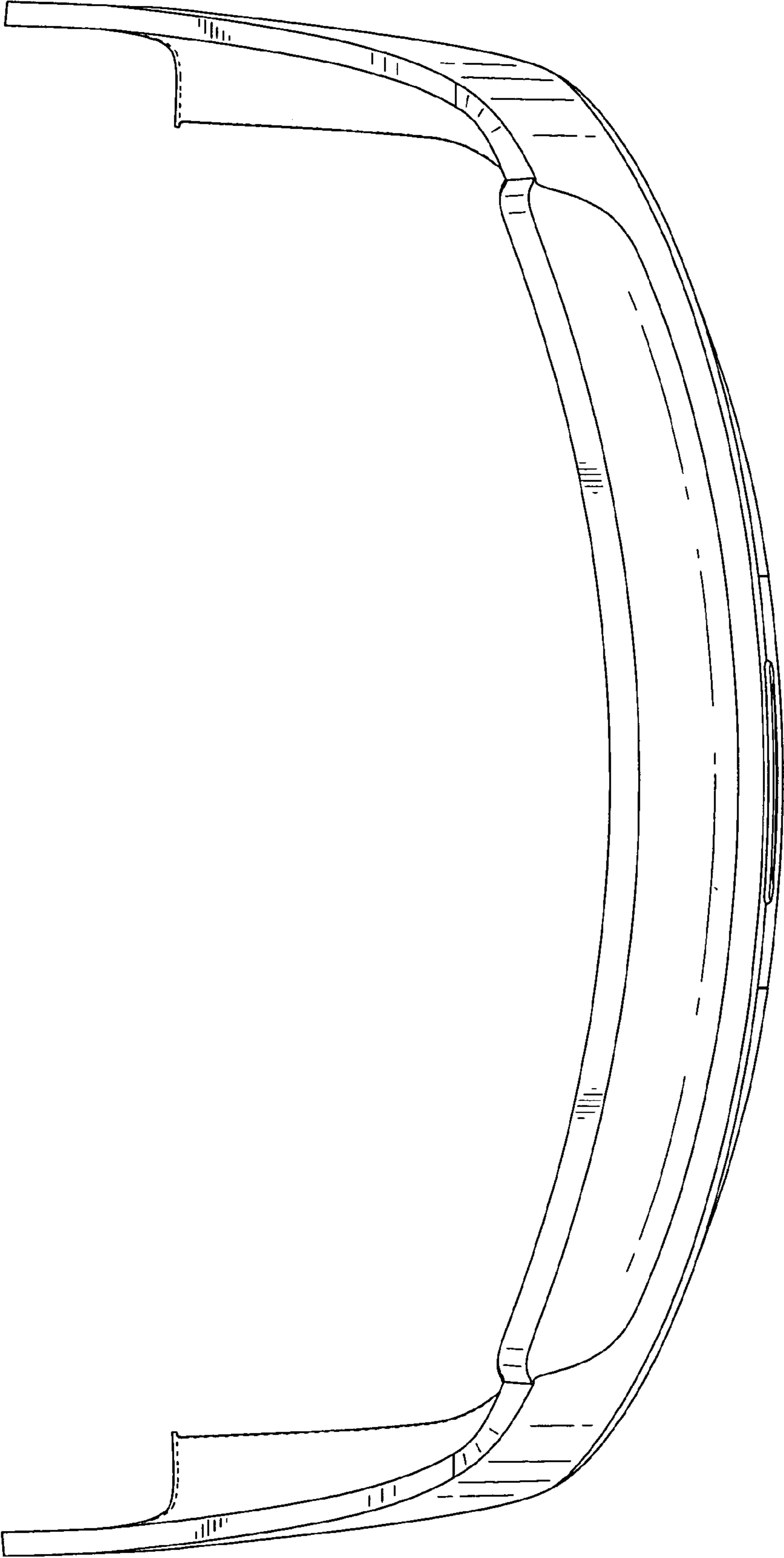


FIG. 6

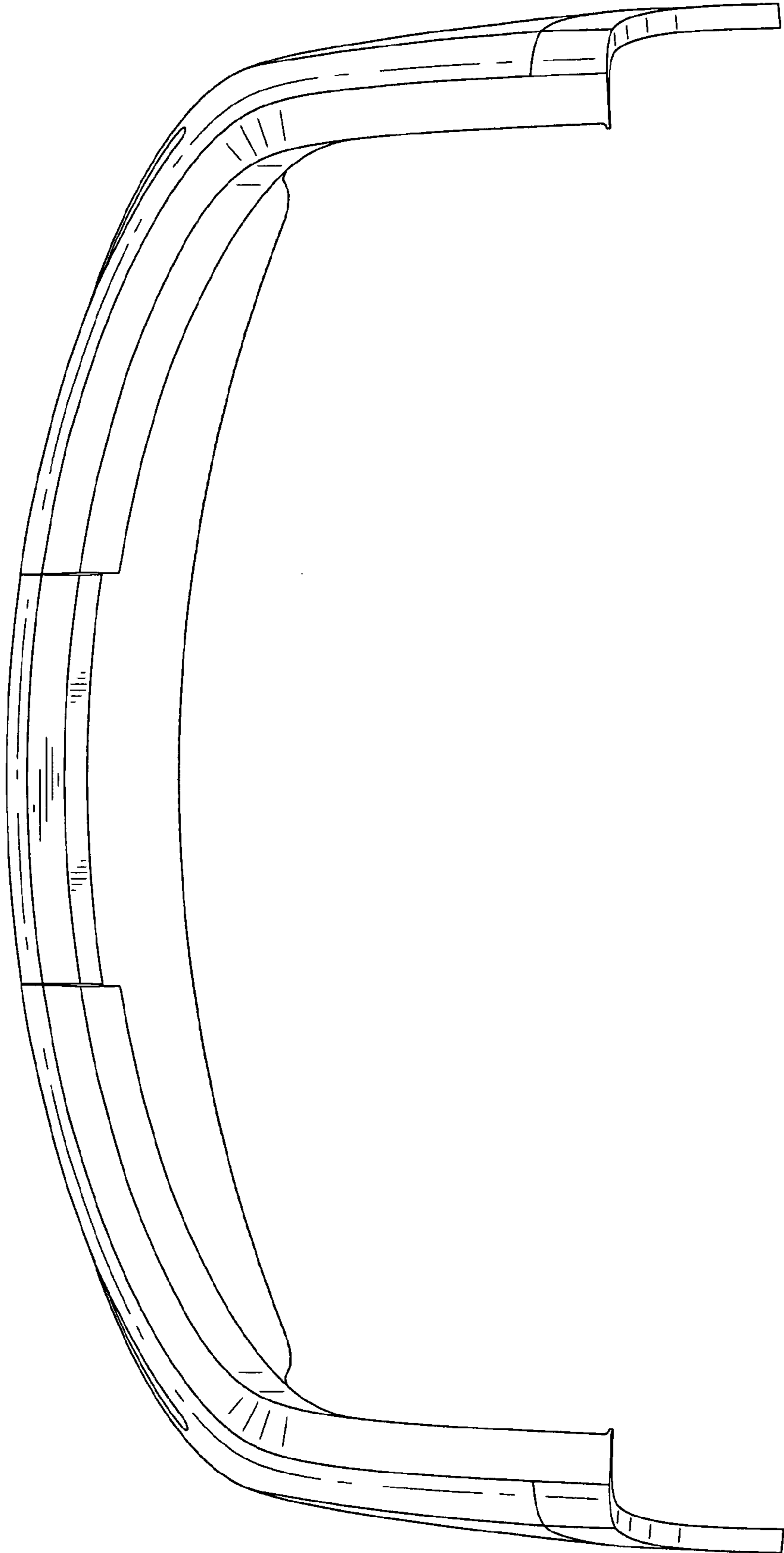


FIG. 7