



US00D628938S

(12) **United States Design Patent**
Yamazaki et al.

(10) **Patent No.:** **US D628,938 S**
(45) **Date of Patent:** **** Dec. 14, 2010**

(54) **VEHICLE BODY, TOY AND/OR REPLICA**

D607,778 S 1/2010 Ramaciotti
D614,534 S * 4/2010 Weaver D12/90

(75) Inventors: **Kazuki Yamazaki**, Kanagawa (JP);
Masahide Fujiwara, Kanagawa (JP)

(73) Assignee: **Nissan Jidosha Kabushiki Kaisha**,
Kanagawa (JP)

(**) Term: **14 Years**

(21) Appl. No.: **29/348,461**

(22) Filed: **Jan. 8, 2010**

(30) **Foreign Application Priority Data**

Jul. 9, 2009 (JP) 2009-015721

(51) **LOC (9) Cl.** **12-08**

(52) **U.S. Cl.** **D12/91**

(58) **Field of Classification Search** D12/86,
D12/90-92; D21/424, 433, 434; 296/181.1,
296/181.5

See application file for complete search history.

(56) **References Cited**

U.S. PATENT DOCUMENTS

D565,478 S	4/2008	Abe
D576,090 S	9/2008	Zavatski et al.
D580,326 S	11/2008	Gueler et al.
D581,332 S	11/2008	Song et al.
D588,959 S	3/2009	Bischoff et al.
D591,213 S	4/2009	Woolley et al.
D592,102 S	5/2009	Kim
D592,111 S	5/2009	Janik et al.
D592,567 S	5/2009	Saracoglu
D593,915 S	6/2009	Habib
D597,001 S	7/2009	Lamm et al.
D597,444 S	8/2009	Vermeersch et al.
D597,899 S	8/2009	Di Buduo
D598,341 S	8/2009	George et al.
D598,346 S	8/2009	Buduo
D600,603 S	9/2009	Di Buduo
D600,609 S	9/2009	Mattin et al.
D602,820 S	10/2009	Yukawa et al.
D604,681 S	11/2009	Nakamura

OTHER PUBLICATIONS

U.S. Appl. No. 29/348,465, filed Jan. 8, 2010; first named inventor:
Kazuki Yamazaki et al.

Nissan Motor Co. Ltd., Qazana concept car, first disclosed at Geneva
Motor Show in Feb. 2009, can be found at http://www.motorauthority.com/blog/1031942_qazana-concept-previews-future-compact-crossover-from-nissan.

U.S. Appl. No. 29/316,232, filed Sep. 3, 2009; first named inventor:
Takashi Noguchi et al.

U.S. Appl. No. 29/316,000, filed Aug. 13, 2009; first named inventor:
Matthew Weaver.

(Continued)

Primary Examiner—Melody N Brown

(74) *Attorney, Agent, or Firm*—Fross Zelnick Lehrman &
Zissu, P.C.; Lawrence E. Apolzon, Esq.

(57) **CLAIM**

The ornamental design for a vehicle body, toy and/or replica,
as shown and described.

DESCRIPTION

FIG. 1 is a perspective view of the front, right side and top of
a vehicle body, toy and/or replica showing our new design;

FIG. 2 is a perspective view of the rear, left side and top plan
thereof;

FIG. 3 is a front view thereof;

FIG. 4 is a rear view thereof;

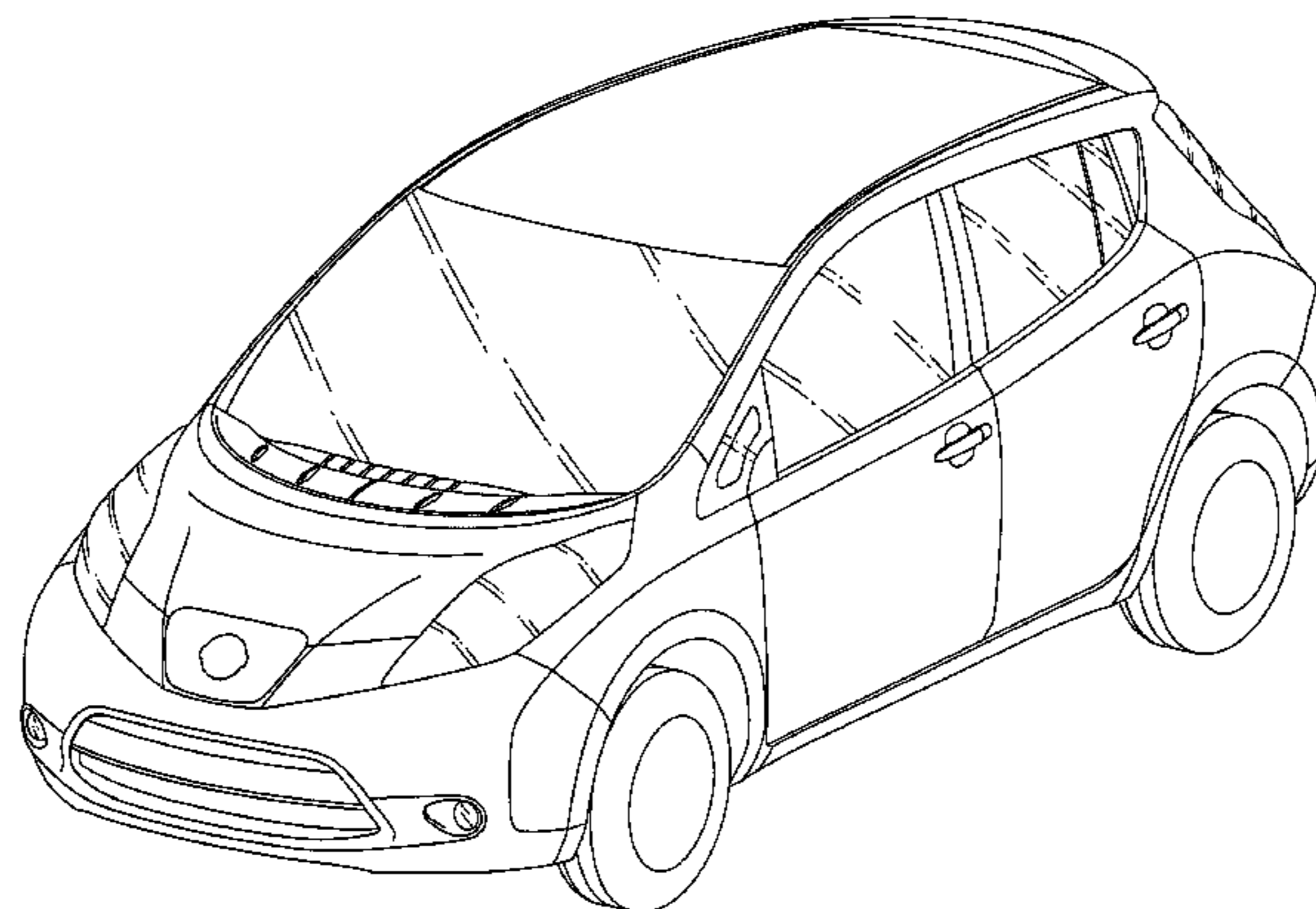
FIG. 5 is a left side view thereof;

FIG. 6 is a right side view thereof;

FIG. 7 is a top plan view thereof; and,

FIG. 8 is a bottom view thereof.

1 Claim, 7 Drawing Sheets



OTHER PUBLICATIONS

U.S. Trademark Registration No. 3,612,436; Registration Date: Apr. 28, 2009; Owner: Nissan Jidosha Kabushiki Kaisha, d/b/a Nissan Motor Co., Ltd.

U.S. Trademark Registration No. 689,797; Registration Date: Dec. 15, 1959; Owner: Nissan Jidosha Kabushiki Kaisha, d/b/a Nissan Motor Co., Ltd.

U.S. Trademark Registration No. 1,914,770; Registration Date: Aug. 29, 1995; Owner: Nissan Jidosha Kabushiki Kaisha, d/b/a Nissan Motor Co., Ltd.

U.S. Trademark Registration No. 2,697,209; Registration Date: Mar. 18, 2003; Owner: Nissan Jidosha Kabushiki Kaisha, d/b/a Nissan Motor Co., Ltd.

U.S. Trademark Registration No. 2,203,744; Registration Date: Nov. 17, 1998; Owner: Nissan Jidosha Kabushiki Kaisha, d/b/a Nissan Motor Co., Ltd.

U.S. Appl. No. 29/316,233, filed Sep. 3, 2009; first named inventor: Gou Kasai et al.

* cited by examiner

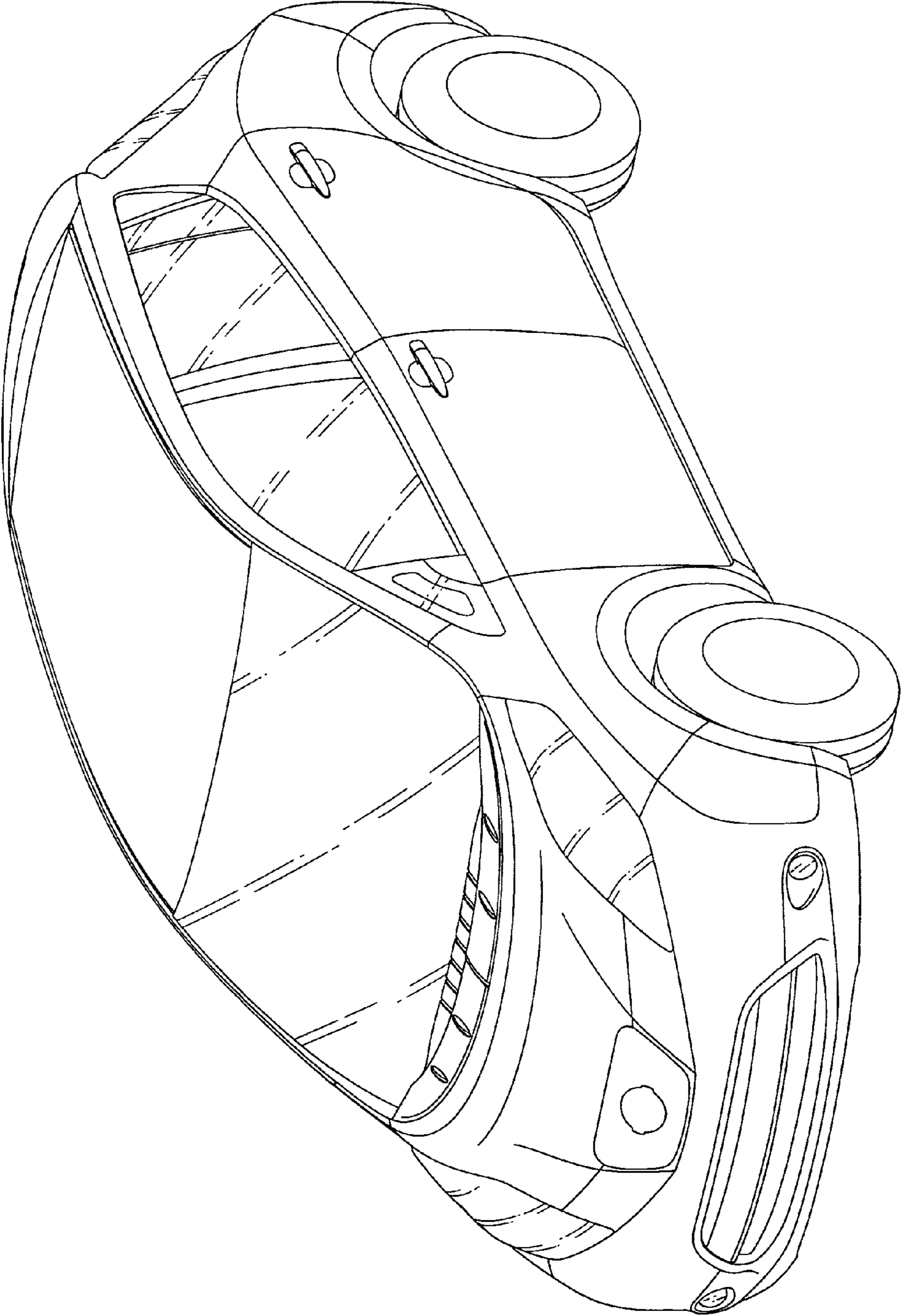


FIG. 1

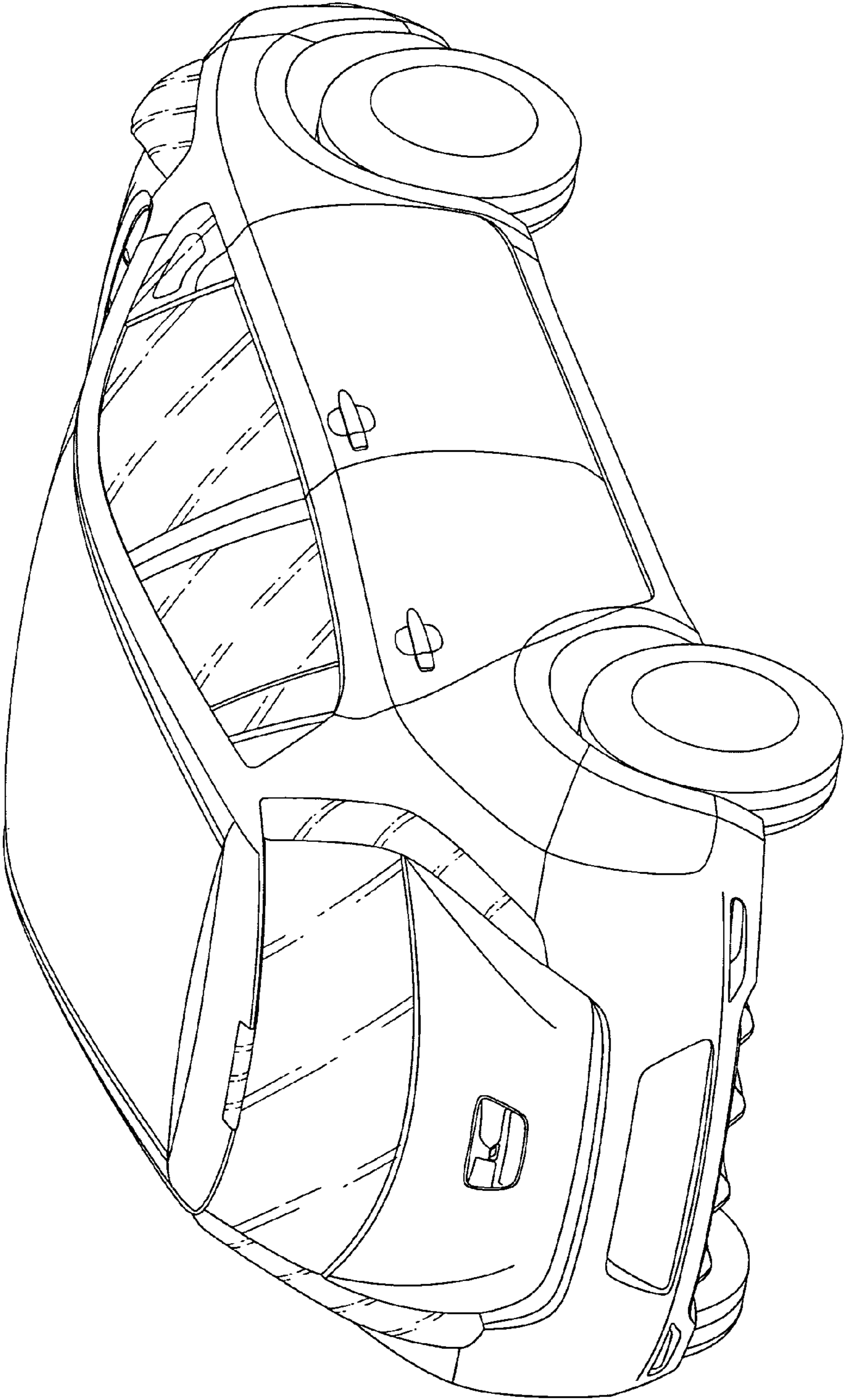


FIG. 2

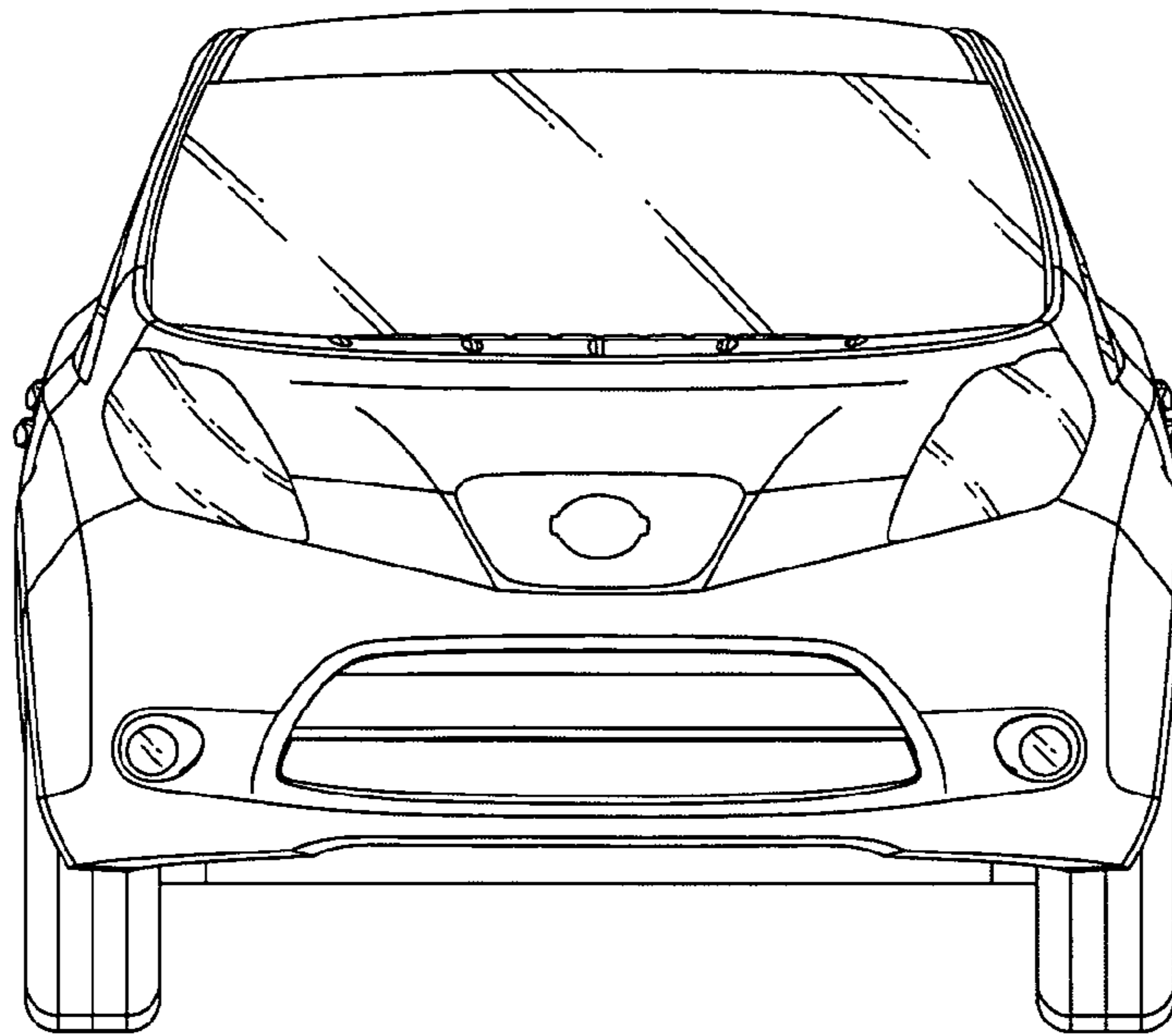


FIG. 3

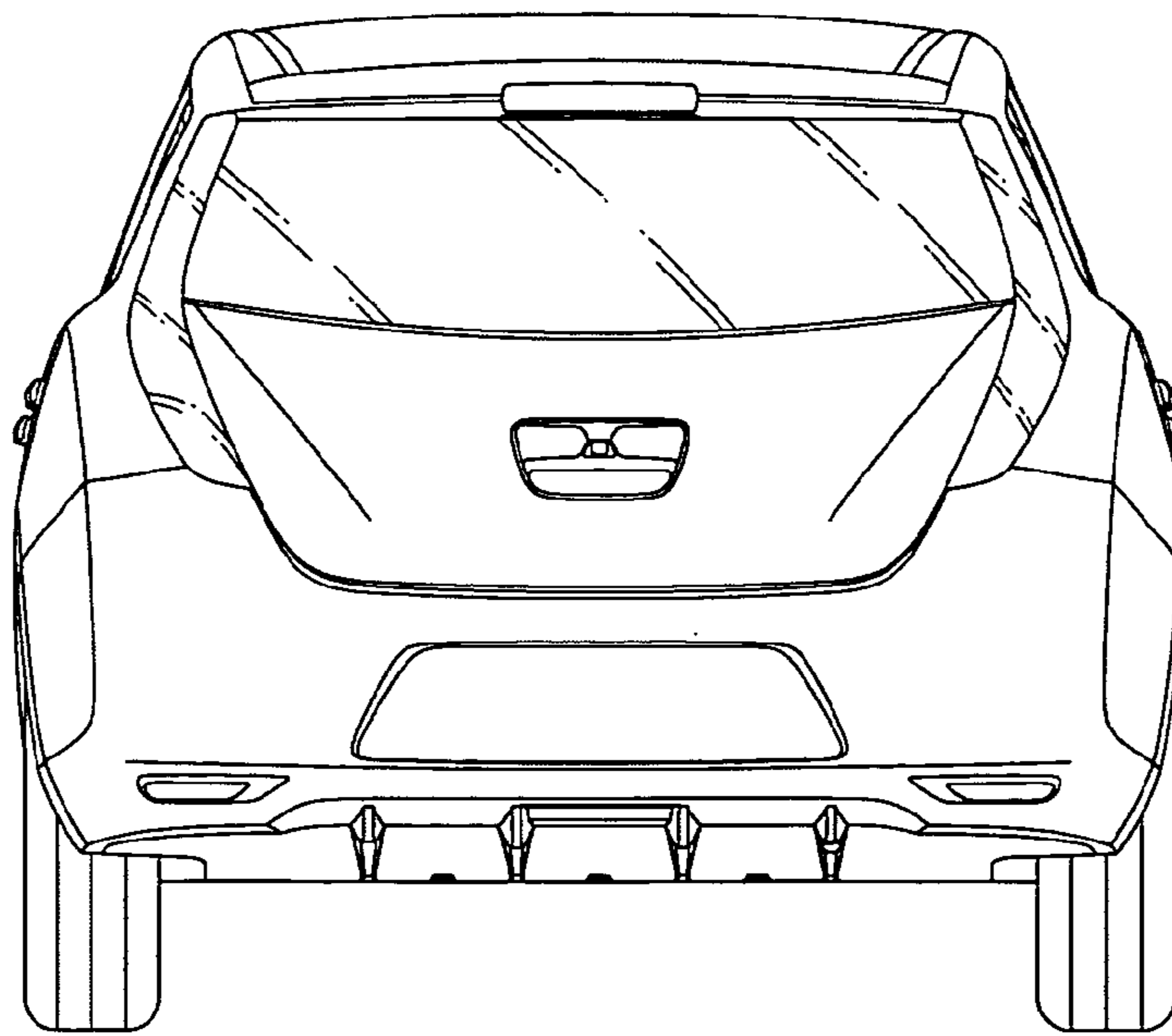


FIG. 4

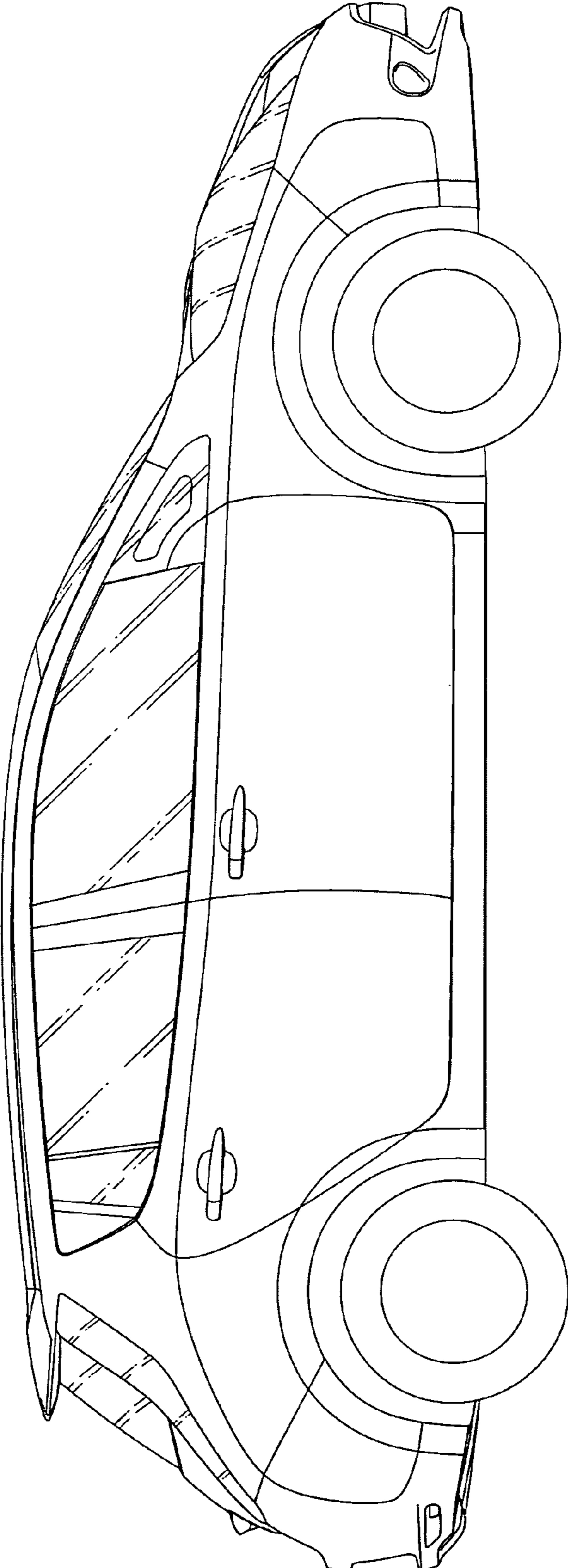


FIG. 5

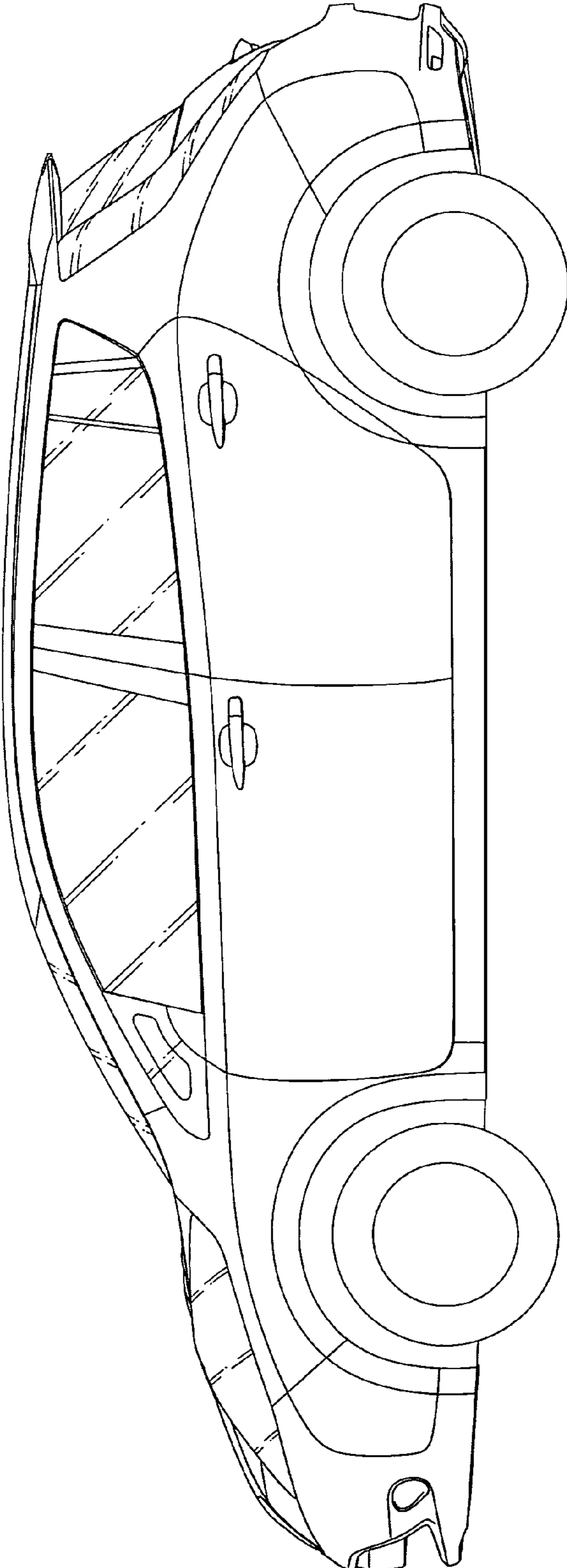


FIG. 6

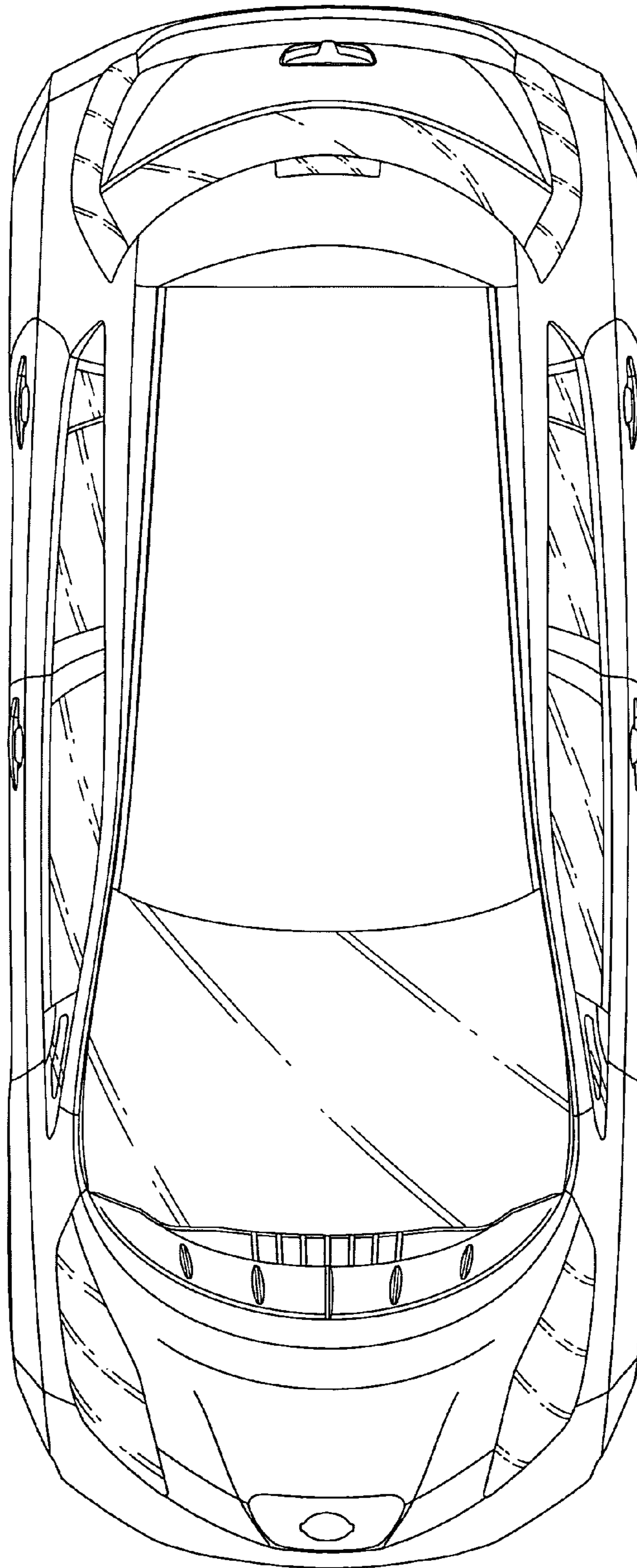


FIG. 7

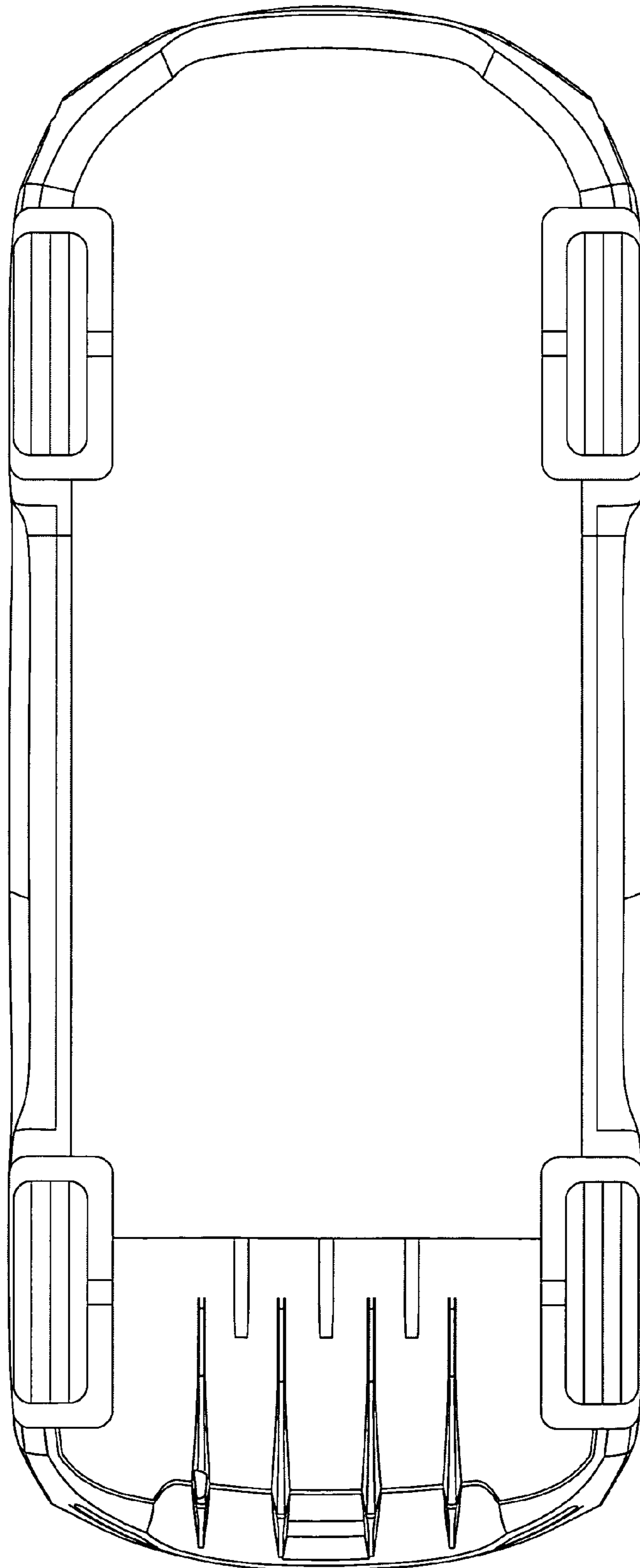


FIG. 8