



US00D628925S

(12) **United States Design Patent**  
**Sayegh et al.**

(10) **Patent No.:** **US D628,925 S**

(45) **Date of Patent:** **\*\* Dec. 14, 2010**

(54) **ELECTRONIC ARTICLE SURVEILLANCE  
DEVICE FOR USE WITH ARTICLES**

(75) Inventors: **Adel O. Sayegh**, Rancho Cucamonga,  
CA (US); **Miaofu Yang**, Hangzhou  
(CN); **Yinghong He**, Hangzhou (CN);  
**Guohui Chen**, Hangzhou (CN)

(73) Assignee: **Universal Surveillance Corporation**,  
Rancho Cucamonga, CA (US)

(\*\*) Term: **14 Years**

(21) Appl. No.: **29/337,832**

(22) Filed: **May 29, 2009**

(51) **LOC (9) Cl.** ..... **10-05**

(52) **U.S. Cl.** ..... **D10/106**

(58) **Field of Classification Search** ..... D10/104,  
D10/106; D8/333; D3/208; 24/704.1; 340/10.1,  
340/571, 572.1, 572.9, 572.8; 40/625; 292/307 A,  
292/326; 224/221; 42/70.11; 70/16  
See application file for complete search history.

(56) **References Cited**

U.S. PATENT DOCUMENTS

|                |         |                     |       |          |
|----------------|---------|---------------------|-------|----------|
| D59,580 S *    | 11/1921 | Copeland            | ..... | D8/333   |
| 1,949,402 A    | 3/1934  | Beaver              |       |          |
| 3,999,409 A *  | 12/1976 | Bell                | ..... | 70/58    |
| D293,547 S     | 1/1988  | Owen                |       |          |
| D296,867 S     | 7/1988  | Owen                |       |          |
| 5,193,366 A *  | 3/1993  | Brinkman            | ..... | 70/18    |
| D389,442 S *   | 1/1998  | Kantor              | ..... | D12/162  |
| D389,724 S *   | 1/1998  | Webster             | ..... | D8/333   |
| 5,806,350 A *  | 9/1998  | Savinsky            | ..... | 70/18    |
| D402,180 S *   | 12/1998 | Chappell            | ..... | D8/333   |
| 6,052,876 A *  | 4/2000  | Hogan et al.        | ..... | 24/704.1 |
| D451,783 S *   | 12/2001 | Yu                  | ..... | D8/334   |
| D487,389 S     | 3/2004  | Doustou, Jr. et al. |       |          |
| 6,860,128 B2 * | 3/2005  | Chappell            | ..... | 70/202   |
| D508,657 S *   | 8/2005  | Belden, Jr.         | ..... | D10/104  |
| 7,005,989 B2   | 2/2006  | Benoit et al.       |       |          |
| 7,342,495 B2   | 3/2008  | Sayegh              |       |          |
| D596,520 S *   | 7/2009  | Sayegh et al.       | ..... | D10/106  |

|                   |         |                |       |        |
|-------------------|---------|----------------|-------|--------|
| 2003/0101779 A1 * | 6/2003  | Chappell       | ..... | 70/202 |
| 2004/0233042 A1   | 11/2004 | Piccoli et al. |       |        |
| 2005/0199674 A1   | 9/2005  | Lyon           |       |        |
| 2005/0231365 A1   | 10/2005 | Tester et al.  |       |        |
| 2005/0270161 A1   | 12/2005 | Yang et al.    |       |        |

(Continued)

*Primary Examiner*—Caron Veynar

*Assistant Examiner*—George D Kirschbaum

(74) *Attorney, Agent, or Firm*—Milord A. Keshishian

(57) **CLAIM**

An ornamental design for an electronic article surveillance device for use with articles, as shown and described.

**DESCRIPTION**

FIG. 1 is a frontal perspective view of the electronic article surveillance tag for use with articles in an unengaged state showing the design;

FIG. 2 is a bottom side perspective view thereof in an unengaged state;

FIG. 3 is a right side elevational view thereof in an unengaged state;

FIG. 4 is a left side elevational view thereof in an unengaged state;

FIG. 5 is a right side elevational view thereof in an engaged state;

FIG. 6 is a left side elevational view thereof in an engaged state;

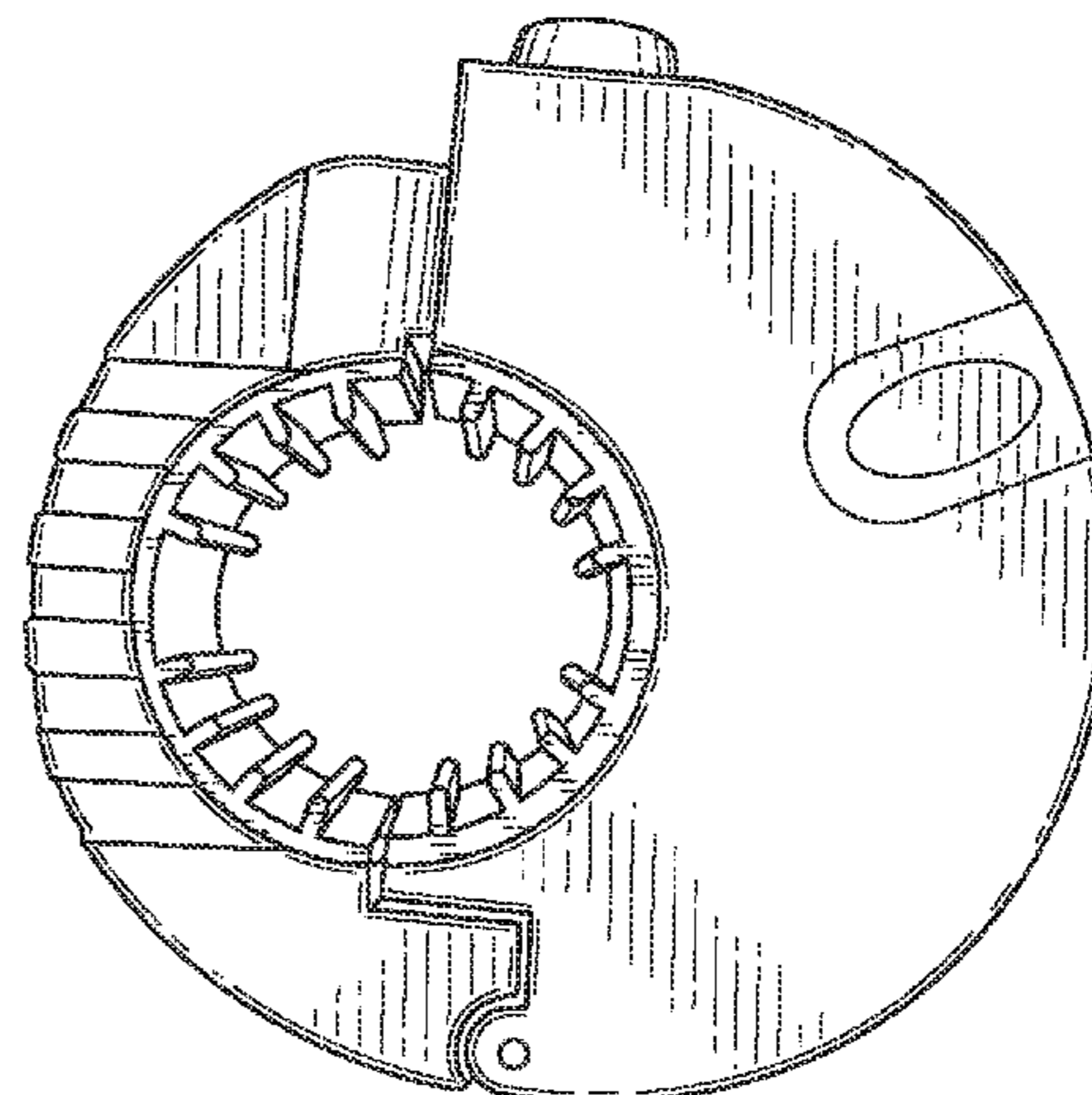
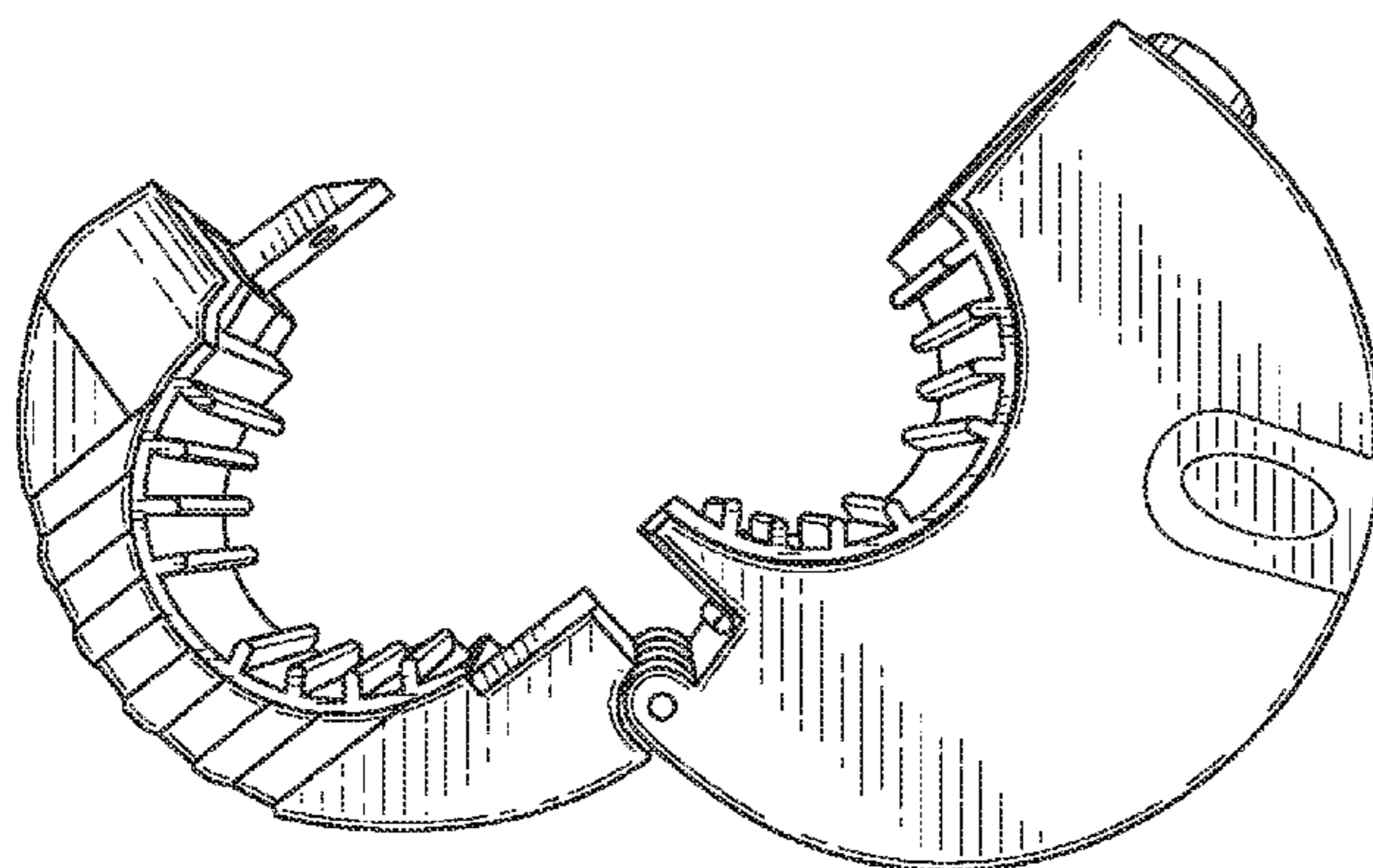
FIG. 7 is a frontal elevational view thereof in an engaged state;

FIG. 8 is a bottom side perspective view thereof in an engaged state;

FIG. 9 is a rearward perspective view thereof in an engaged state; and,

FIG. 10 is a top side perspective view thereof in an engaged state.

**1 Claim, 5 Drawing Sheets**



# US D628,925 S

Page 2

---

## U.S. PATENT DOCUMENTS

|              |    |        |               |                     |     |        |             |       |
|--------------|----|--------|---------------|---------------------|-----|--------|-------------|-------|
| 2006/0048551 | A1 | 3/2006 | Tanos         | 2007/0144223        | A1* | 6/2007 | Stone ..... | 70/18 |
| 2006/0107707 | A1 | 5/2006 | Vaughn et al. | * cited by examiner |     |        |             |       |

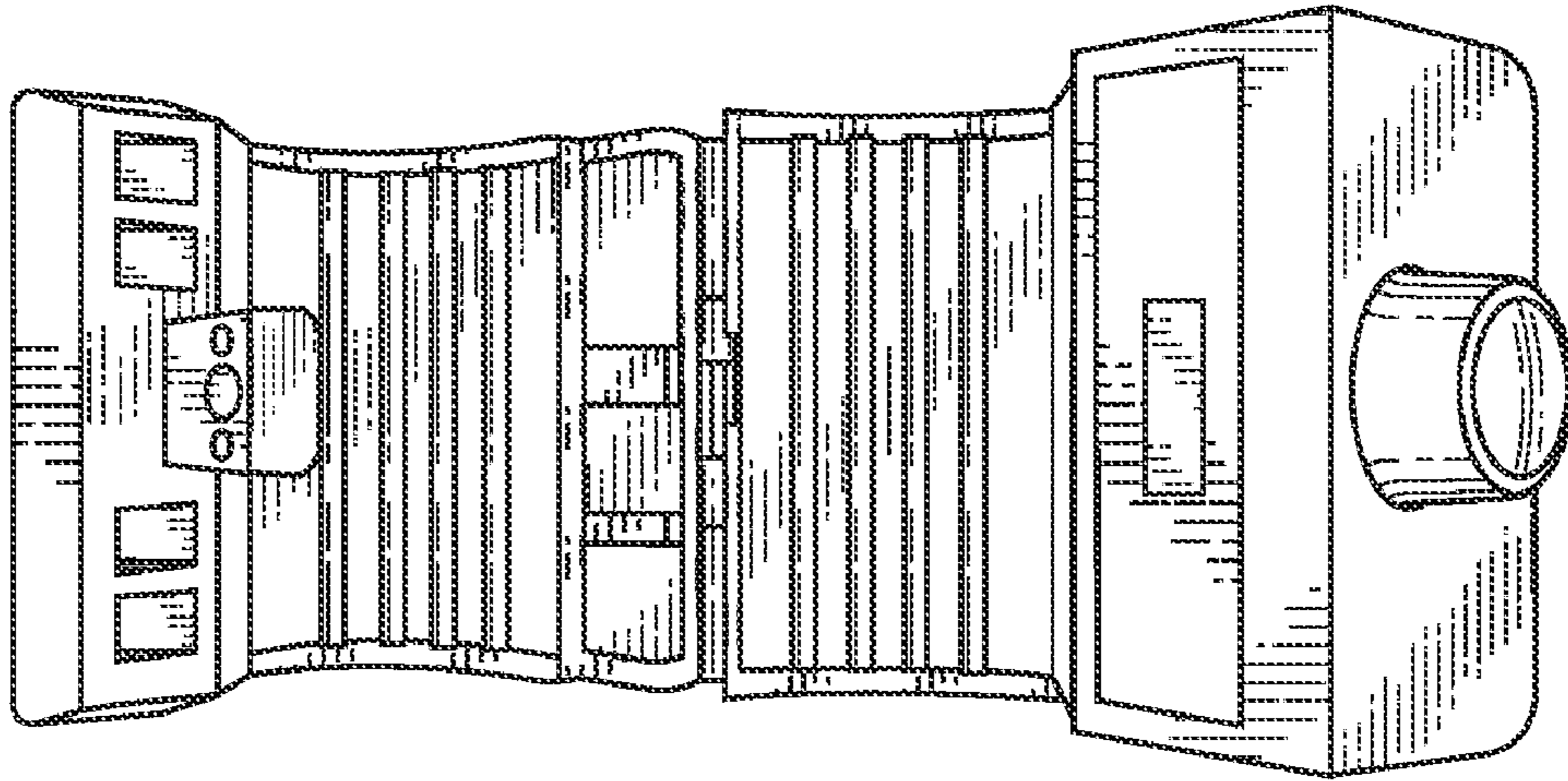


FIG. 1

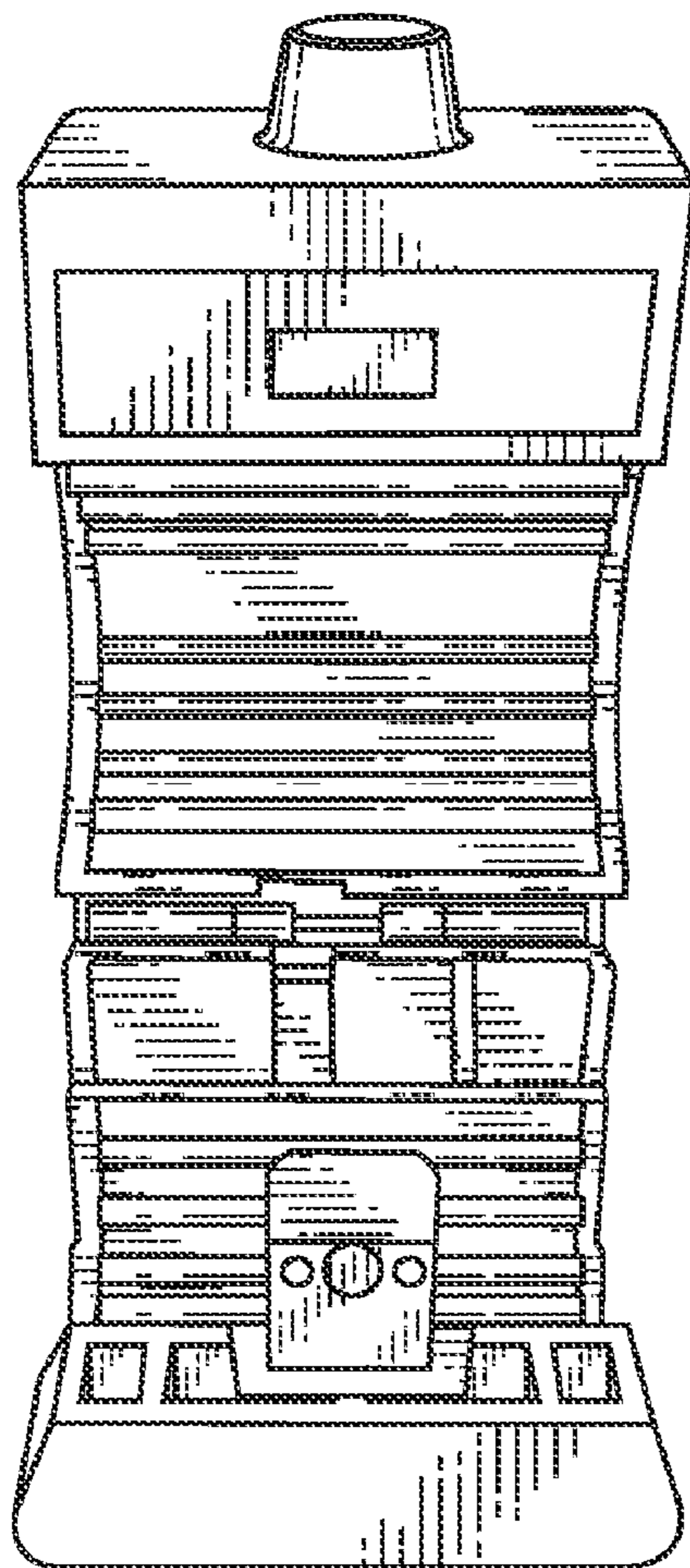


FIG. 2

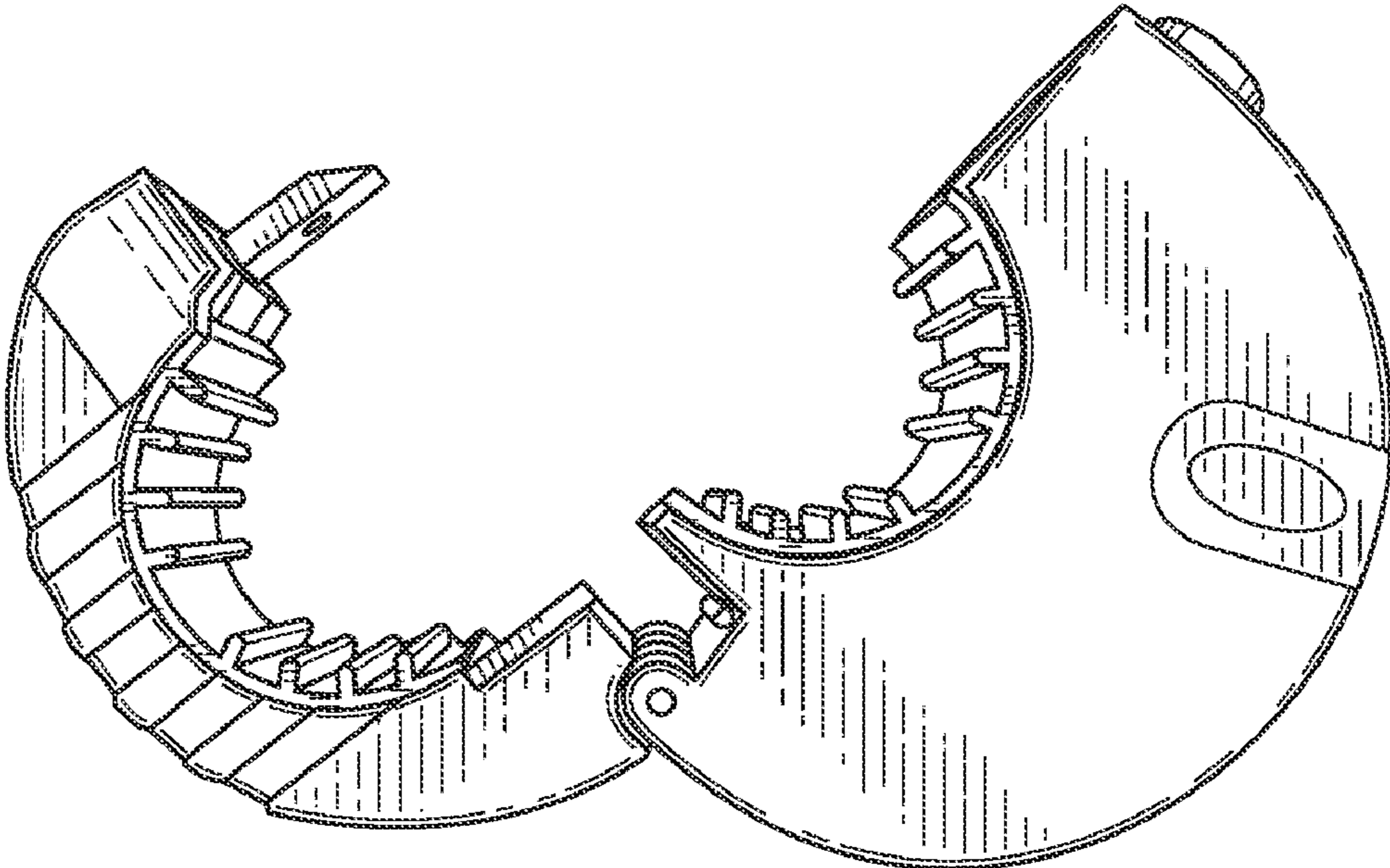


FIG. 3

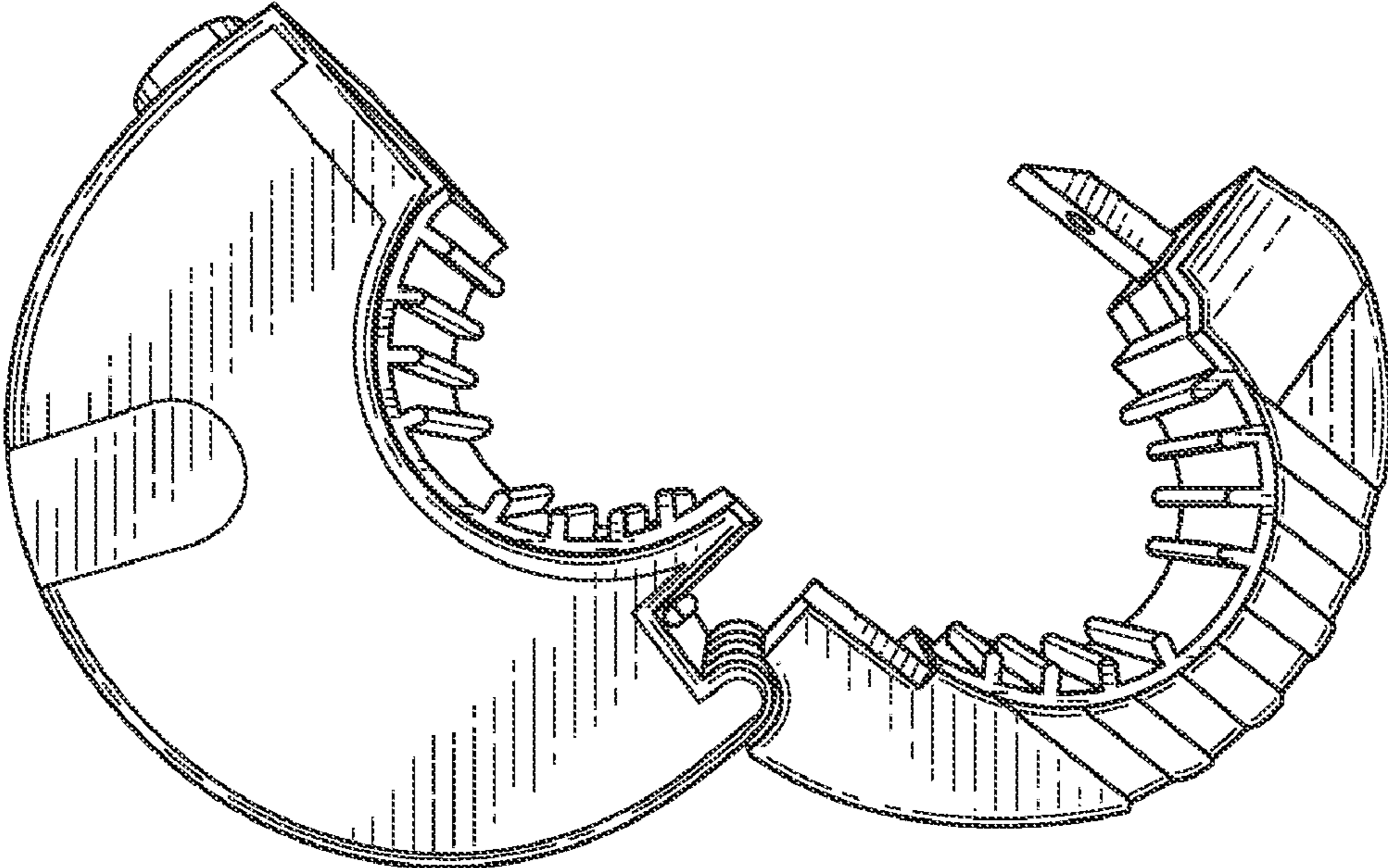


FIG. 4

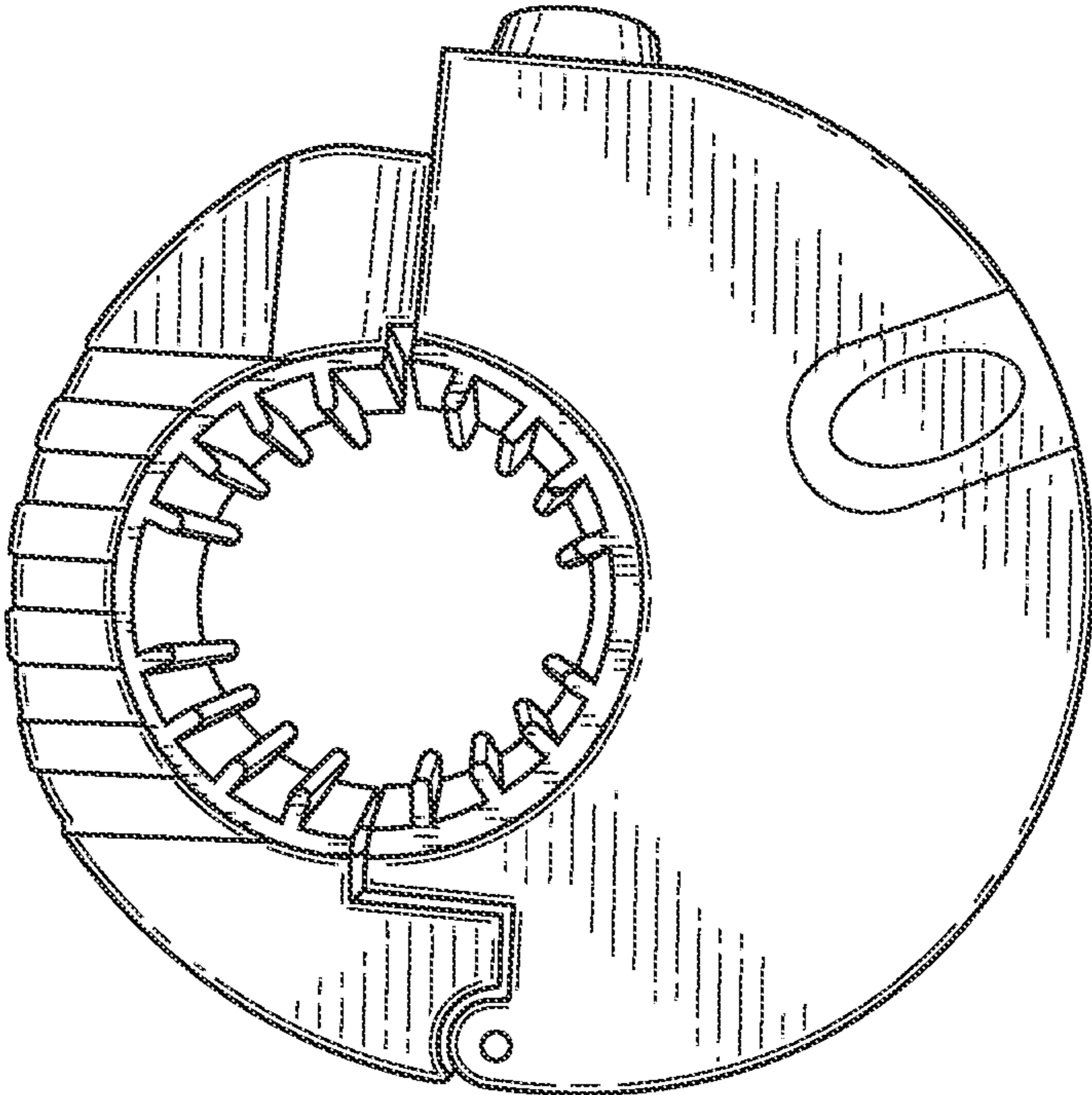


FIG. 5

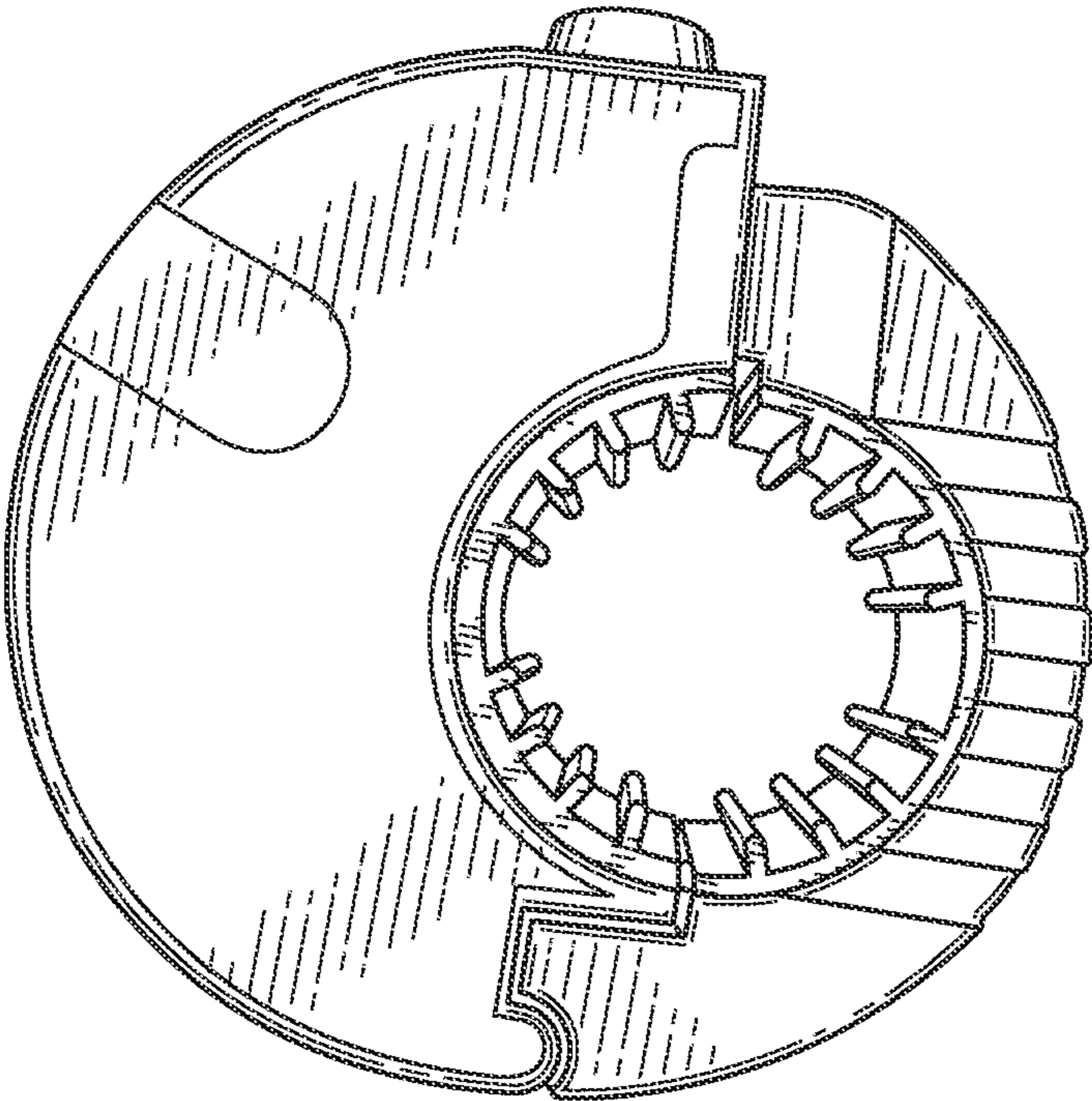


FIG. 6

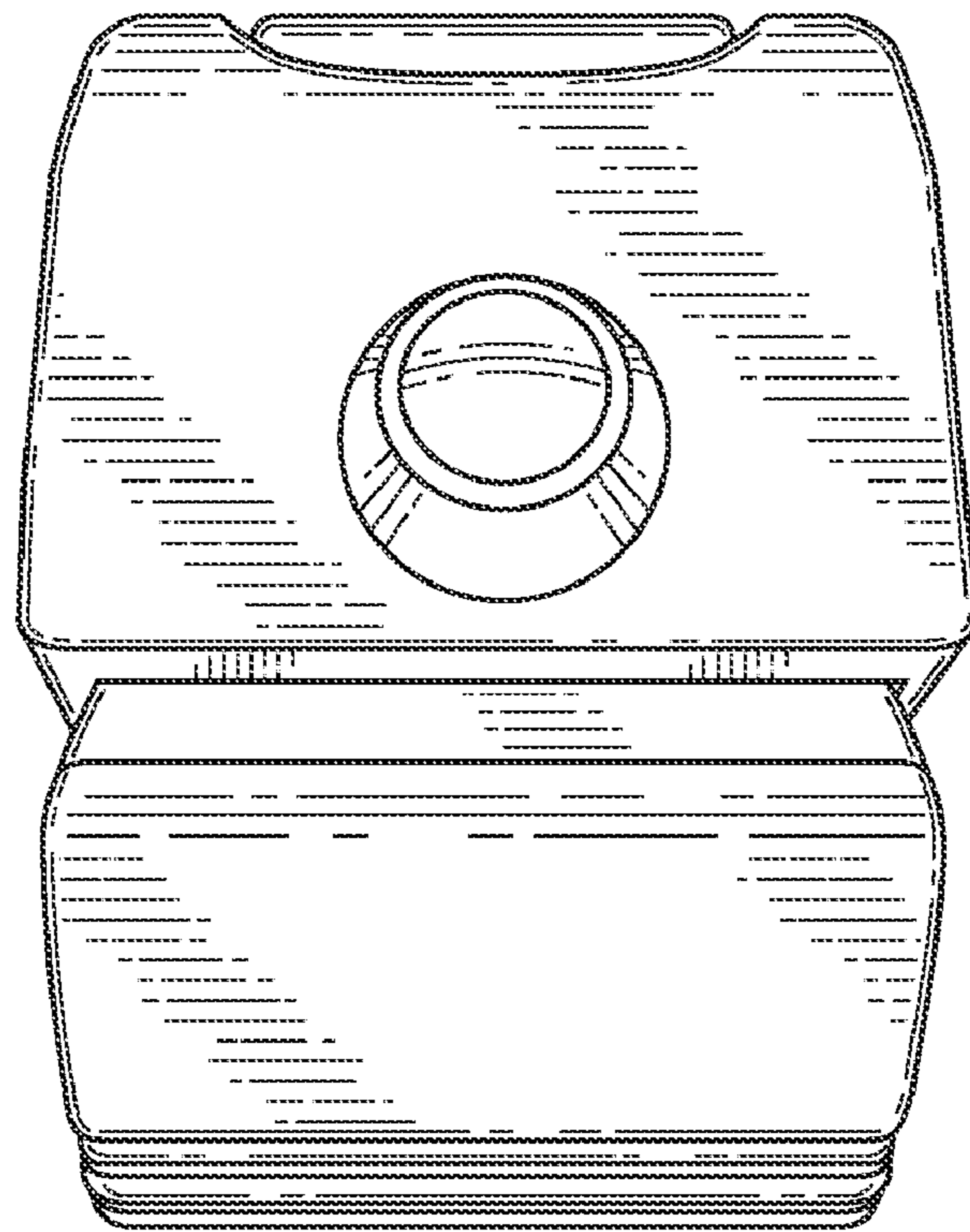


FIG. 7

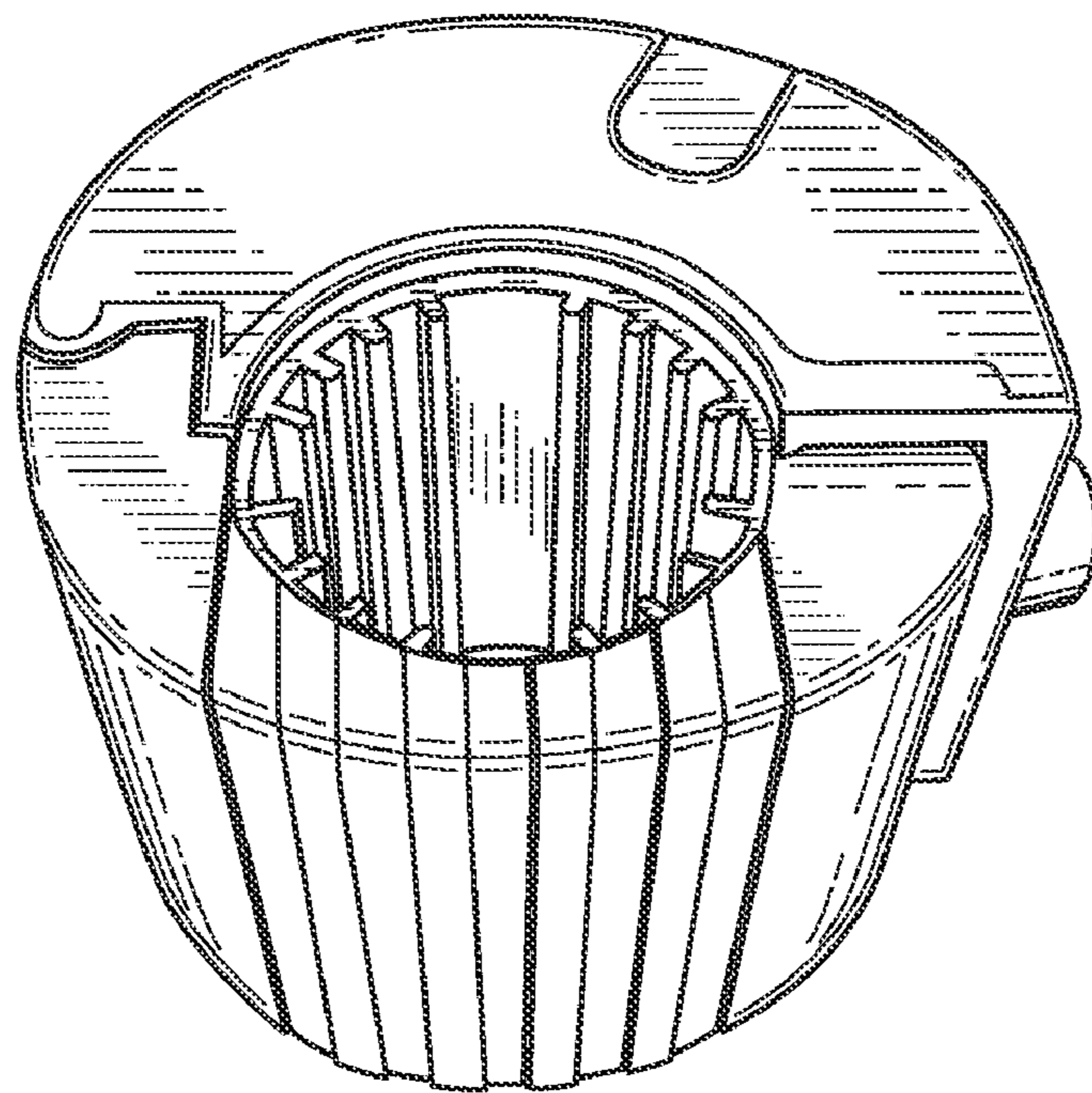


FIG. 8

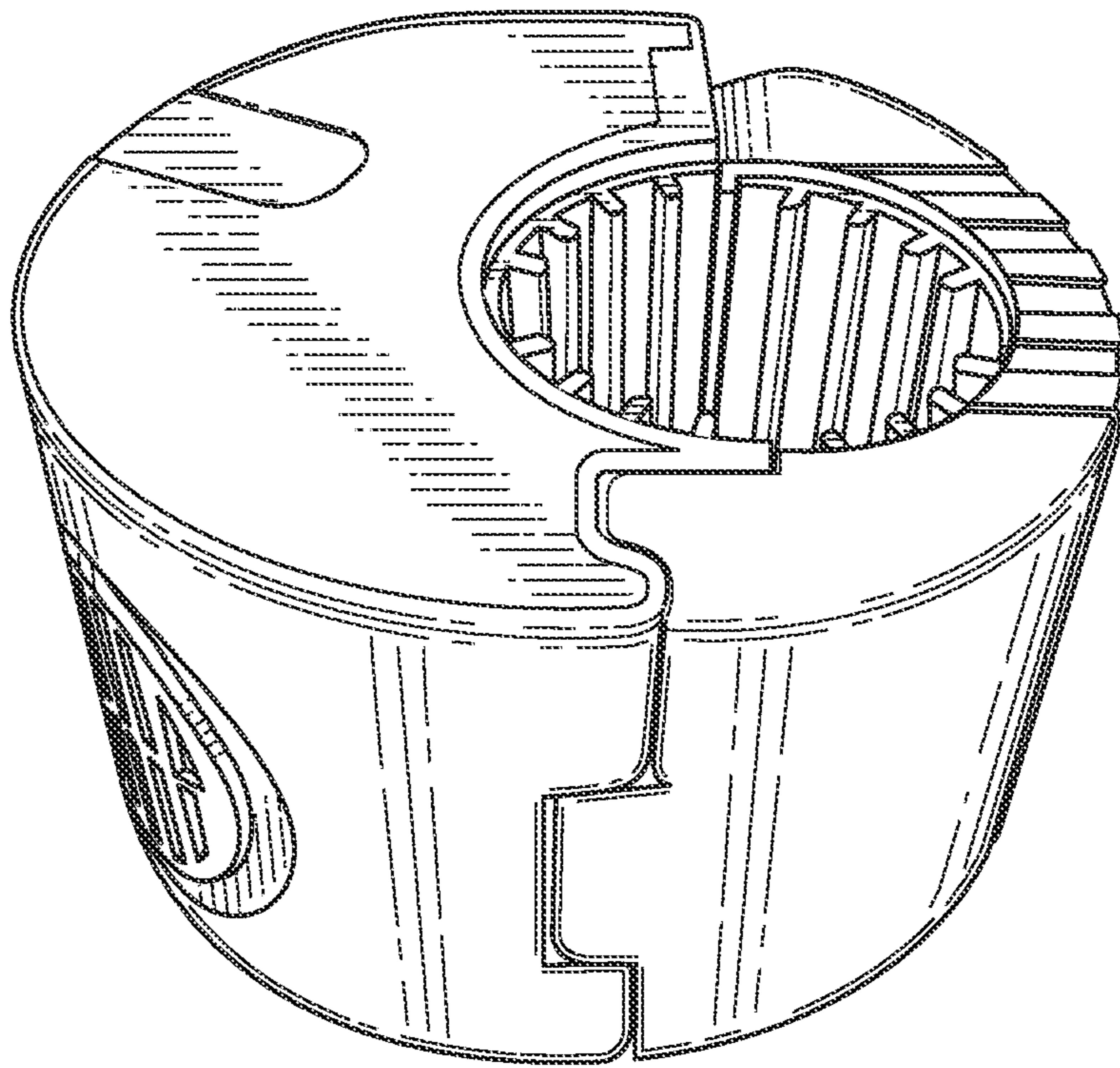


FIG. 9

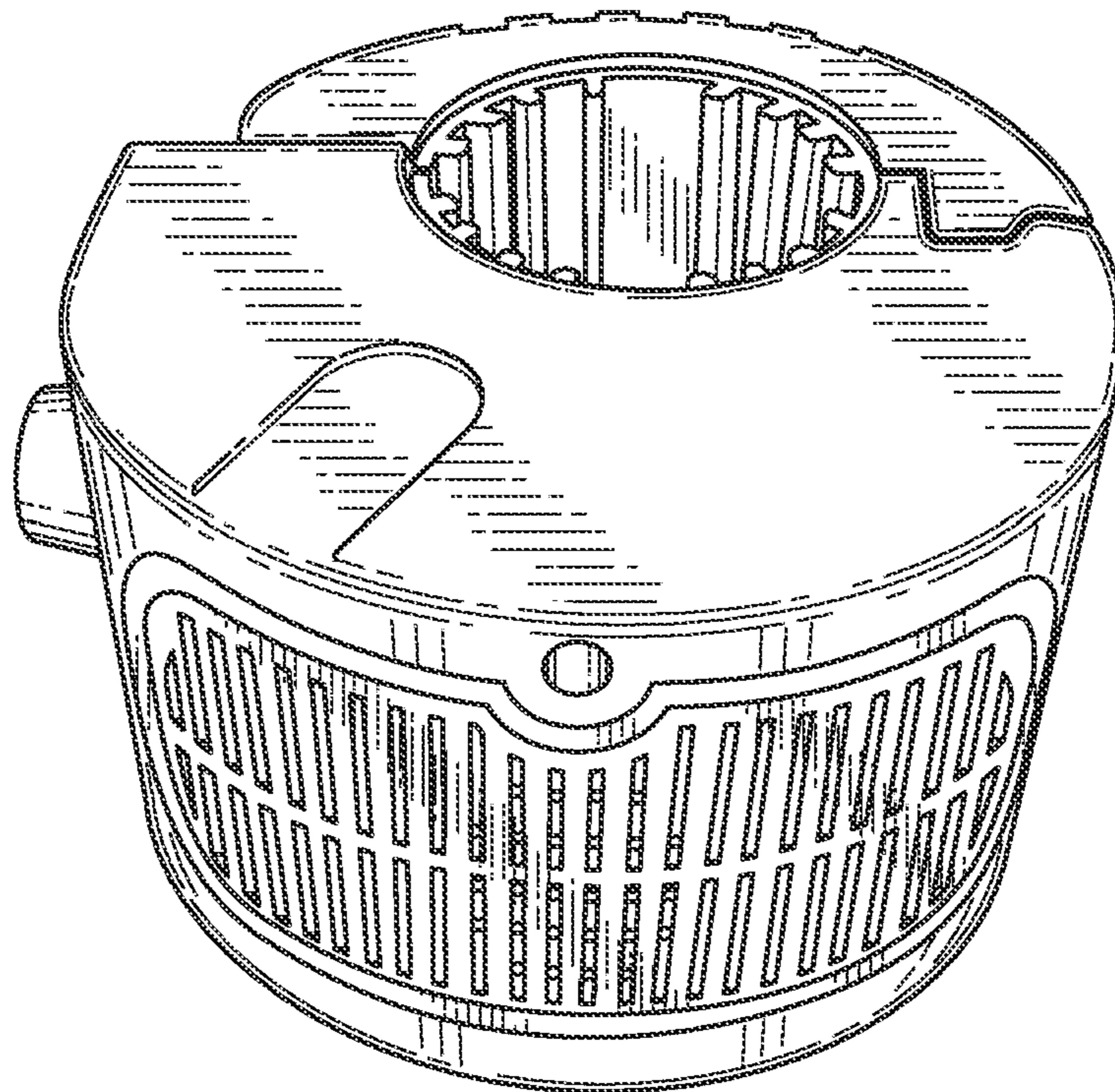


FIG. 10