



US00D628924S

(12) **United States Design Patent**  
**Sayegh et al.**

(10) **Patent No.:** **US D628,924 S**  
(45) **Date of Patent:** **\*\* Dec. 14, 2010**

(54) **THEFT DETERRENT TAG HAVING LANYARDS FOR USE WITH ARTICLES**

FOREIGN PATENT DOCUMENTS

CN 2572495 Y 9/2003

(Continued)

(75) Inventors: **Adel O. Sayegh**, Rancho Cucamonga, CA (US); **Miaofu Yang**, Hangzhou (CN)

*Primary Examiner*—Caron Veynar

*Assistant Examiner*—George D Kirschbaum

(73) Assignee: **Universal Surveillance Corporation**, Rancho Cucamonga, CA (US)

(74) *Attorney, Agent, or Firm*—Milord A. Keshishian

(\*\*) Term: **14 Years**

(57) **CLAIM**

(21) Appl. No.: **29/336,543**

An ornamental design for a theft deterrent tag having lanyards for use with articles, as shown and described.

(22) Filed: **May 5, 2009**

**DESCRIPTION**

(51) **LOC (9) Cl.** ..... **10-05**

FIG. 1 is a top plan view of the theft deterrent tag having lanyards for use with articles showing the design in an undeployed state;

(52) **U.S. Cl.** ..... **D10/106**

FIG. 2 is a bottom plan view thereof in an undeployed state;

(58) **Field of Classification Search** ..... D10/104,

D10/106; D8/333; D3/208; 24/704.1; 340/10.1,

340/571, 572.1, 572.9, 572.8; 40/625; 292/307 A,

292/326; 224/221; 42/70.11; 70/16

See application file for complete search history.

FIG. 3 is a front side view thereof in an undeployed state;

FIG. 4 is a left side view thereof in an undeployed state;

FIG. 5 is a right side view thereof in an undeployed state;

FIG. 6 is a rear side view thereof in an undeployed state;

FIG. 7 is top plan view thereof in a deployed state;

FIG. 8 is a bottom plan view thereof in a deployed state;

FIG. 9 is front side view thereof in an extended state;

FIG. 10 is a right side view thereof in an extended state;

FIG. 11 is a rear side view thereof in an extended state; and,

FIG. 12 is a left side view thereof in an extended state.

In the drawings, the broken line showing of a box depicts environmental subject matter and forms no part of the claim.

(56) **References Cited**

U.S. PATENT DOCUMENTS

1,124,130 A \* 1/1915 Grant ..... 24/18

1,141,245 A \* 6/1915 Gillespie ..... 24/18

1,165,320 A \* 12/1915 Clary ..... 24/18

1,165,816 A \* 12/1915 Tichenor ..... 24/18

3,858,280 A 1/1975 Martens

3,911,534 A 10/1975 Martens et al.

3,932,918 A 1/1976 Paskert

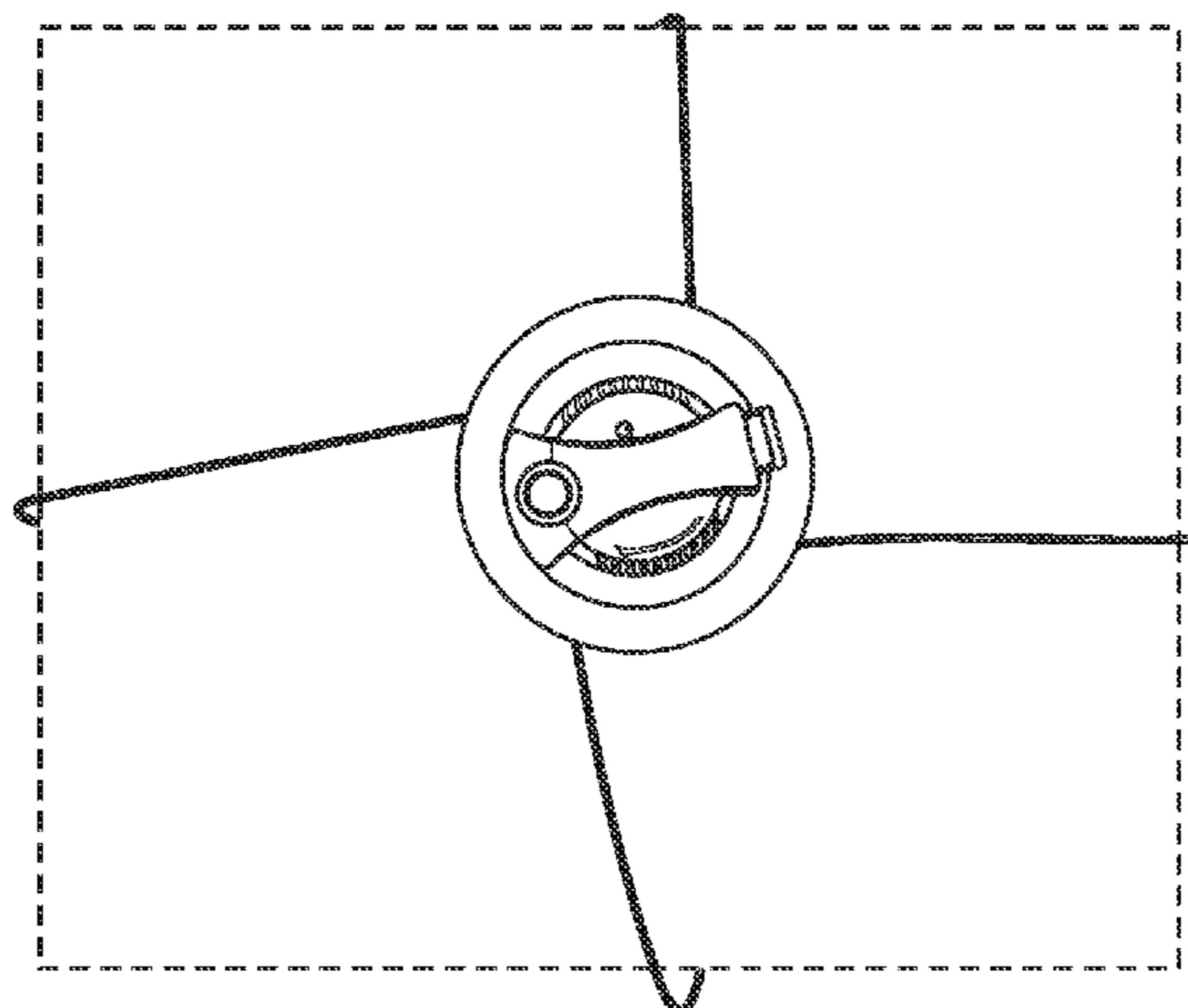
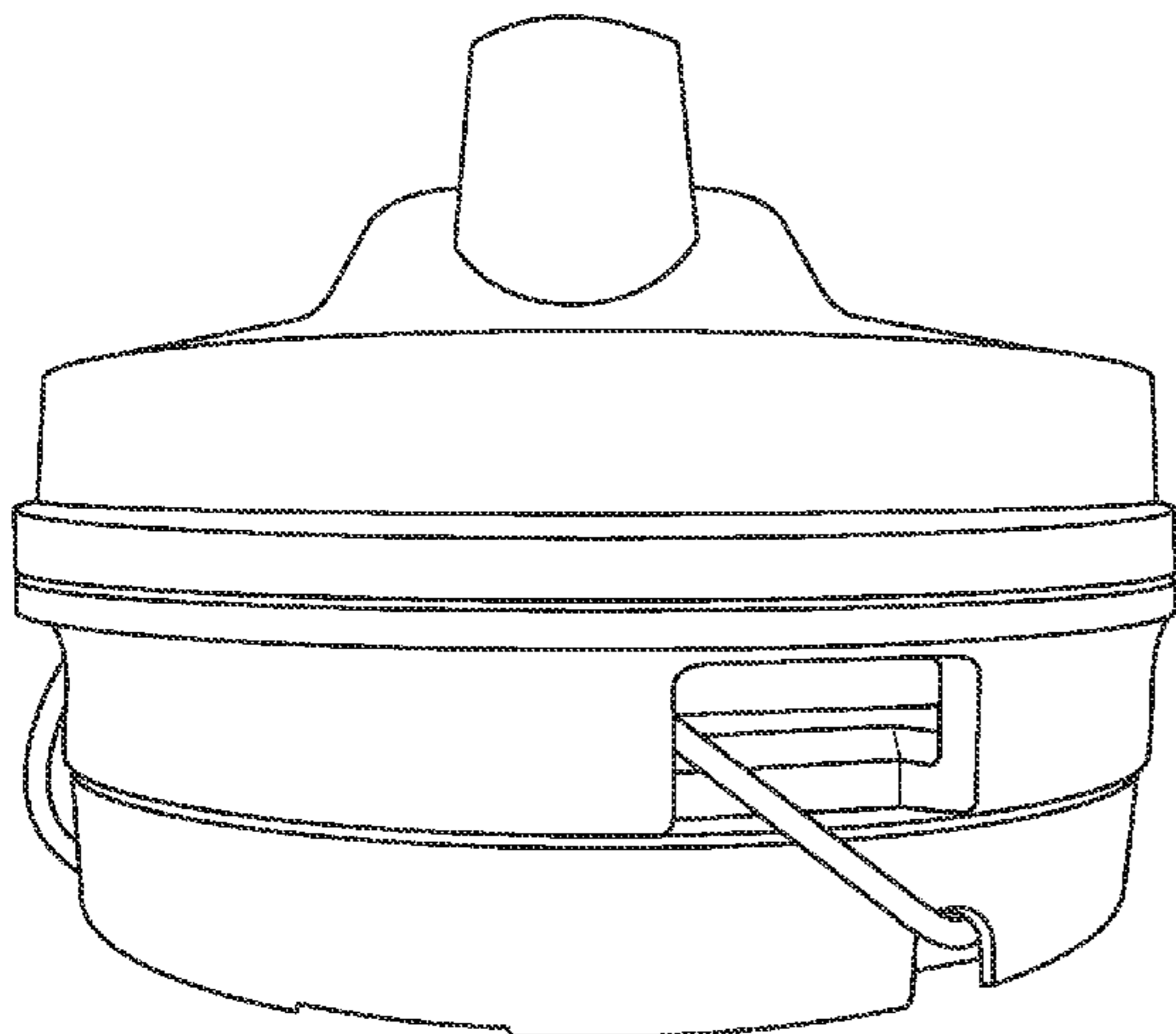
3,942,829 A 3/1976 Humble et al.

3,974,581 A 8/1976 Martens et al.

4,221,025 A 9/1980 Martens et al.

(Continued)

**1 Claim, 6 Drawing Sheets**



# US D628,924 S

Page 2

---

## U.S. PATENT DOCUMENTS

4,588,218 A 5/1986 Guiler et al.  
5,610,587 A 3/1997 Fujiuchi et al.  
5,722,266 A 3/1998 Yeager et al.  
5,794,464 A 8/1998 Yeager et al.  
6,052,876 A 4/2000 Hogan et al.  
6,092,401 A 7/2000 Sankey et al.  
6,535,130 B2 3/2003 Nguyen et al.  
D492,215 S 6/2004 Lu  
6,933,847 B2 8/2005 Feibelman  
7,062,823 B2 6/2006 Copen et al.  
7,129,841 B2 10/2006 Feibelman  
D545,228 S \* 6/2007 Fawcett et al. .... D10/105

7,227,467 B2 6/2007 Feibelman  
D555,024 S \* 11/2007 Fawcett et al. .... D10/104  
D556,072 S \* 11/2007 Fawcett et al. .... D10/104  
7,497,101 B2 \* 3/2009 Fawcett et al. .... 70/57  
7,522,048 B2 \* 4/2009 Belden, Jr. .... 340/568.4  
2006/0053845 A1 \* 3/2006 Benda et al. .... 70/18  
2006/0145873 A1 7/2006 Feibelman et al.  
2008/0156047 A1 7/2008 Sayegh

## FOREIGN PATENT DOCUMENTS

CN WO2006040693 4/2006

\* cited by examiner

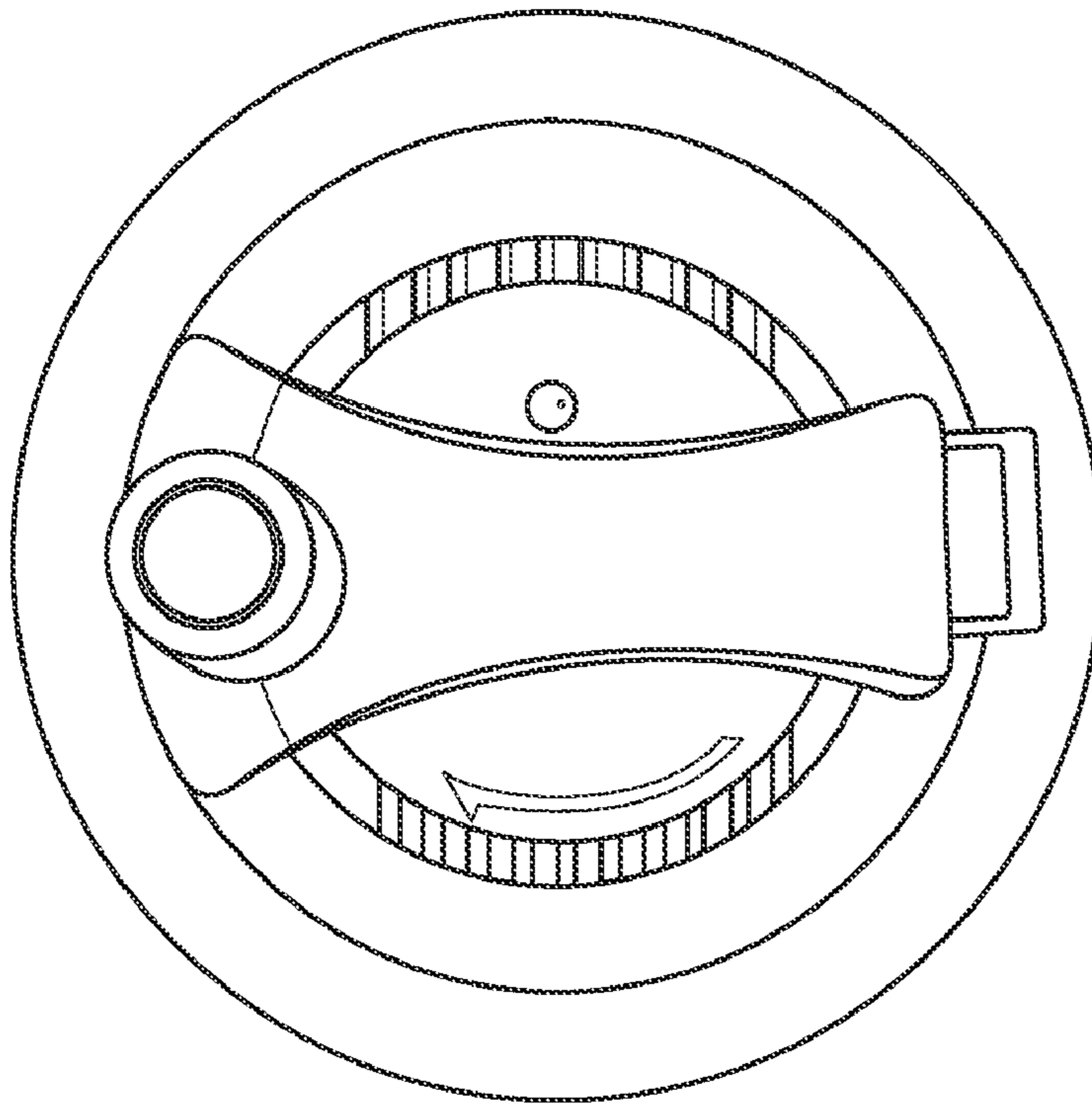


Fig. 1

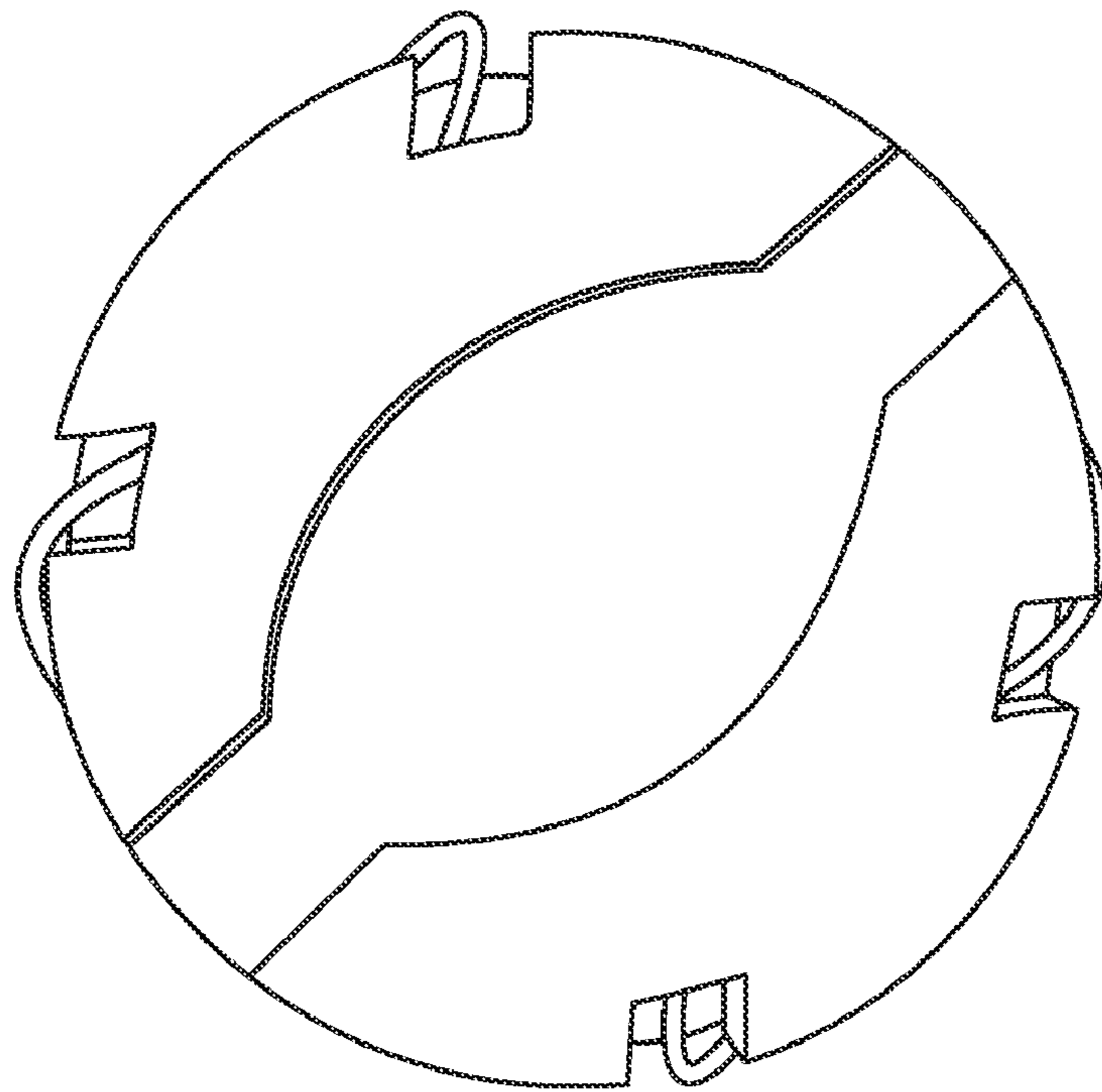


Fig. 2

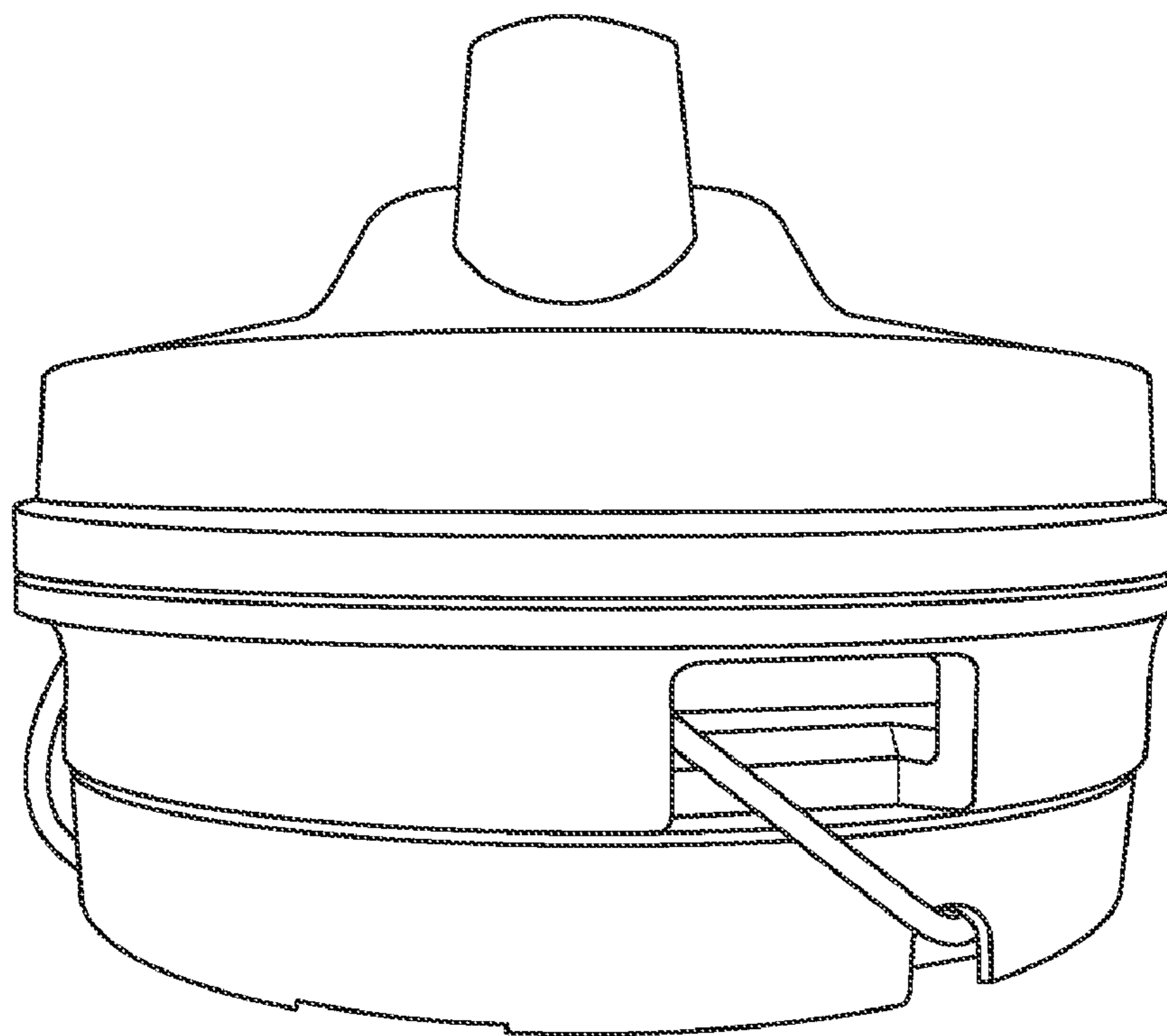


Fig. 3

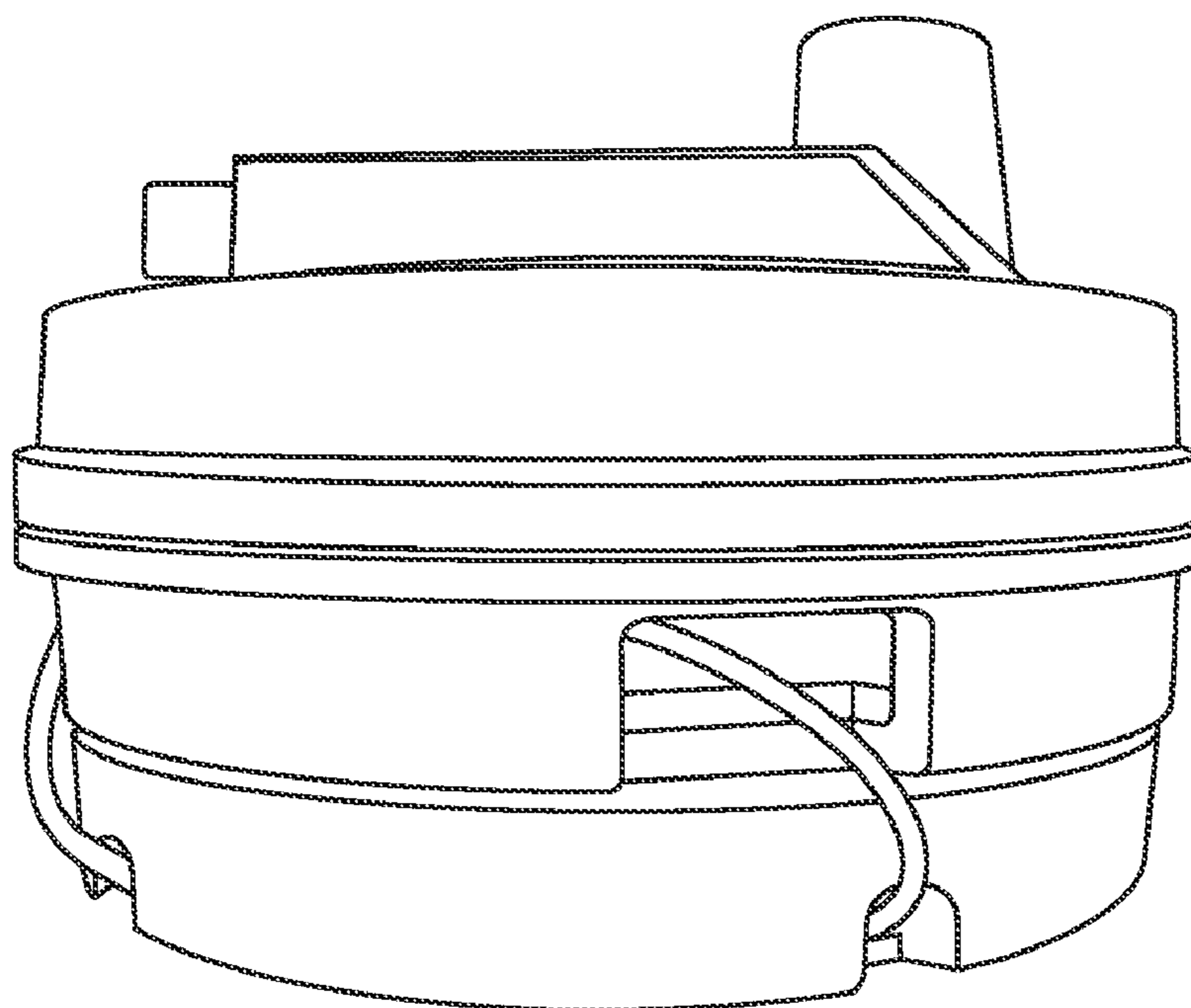


Fig. 4

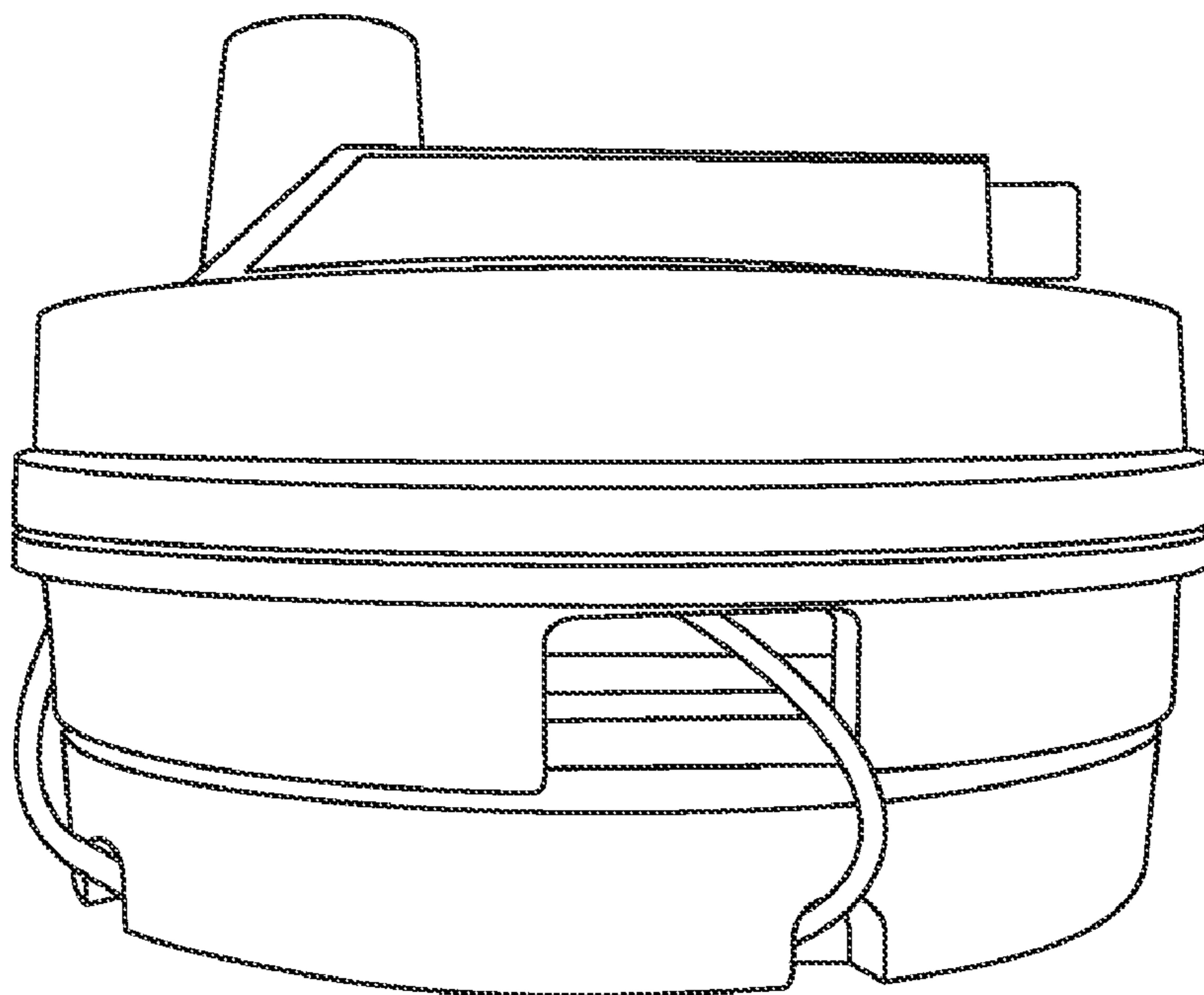


Fig. 5

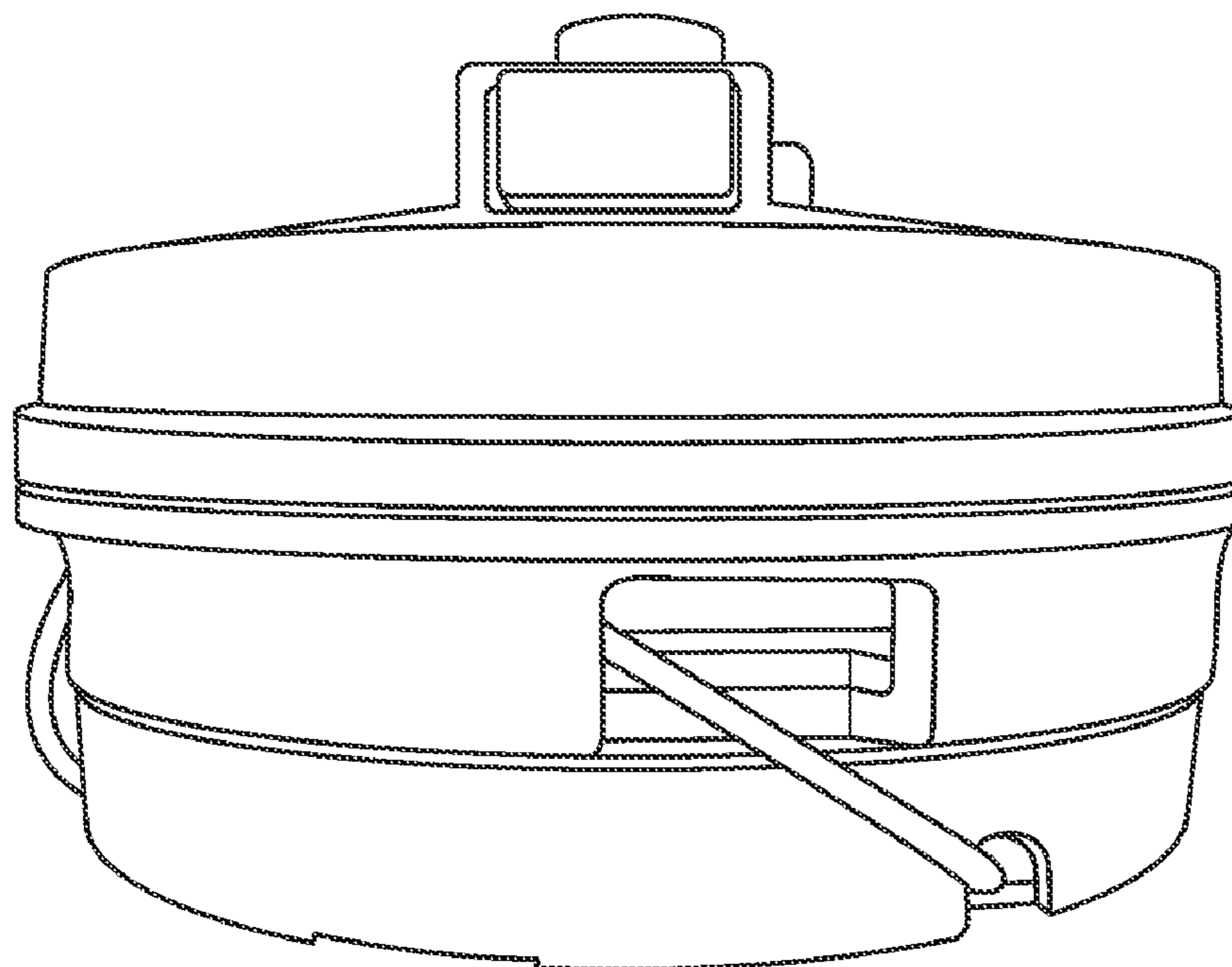


Fig. 6

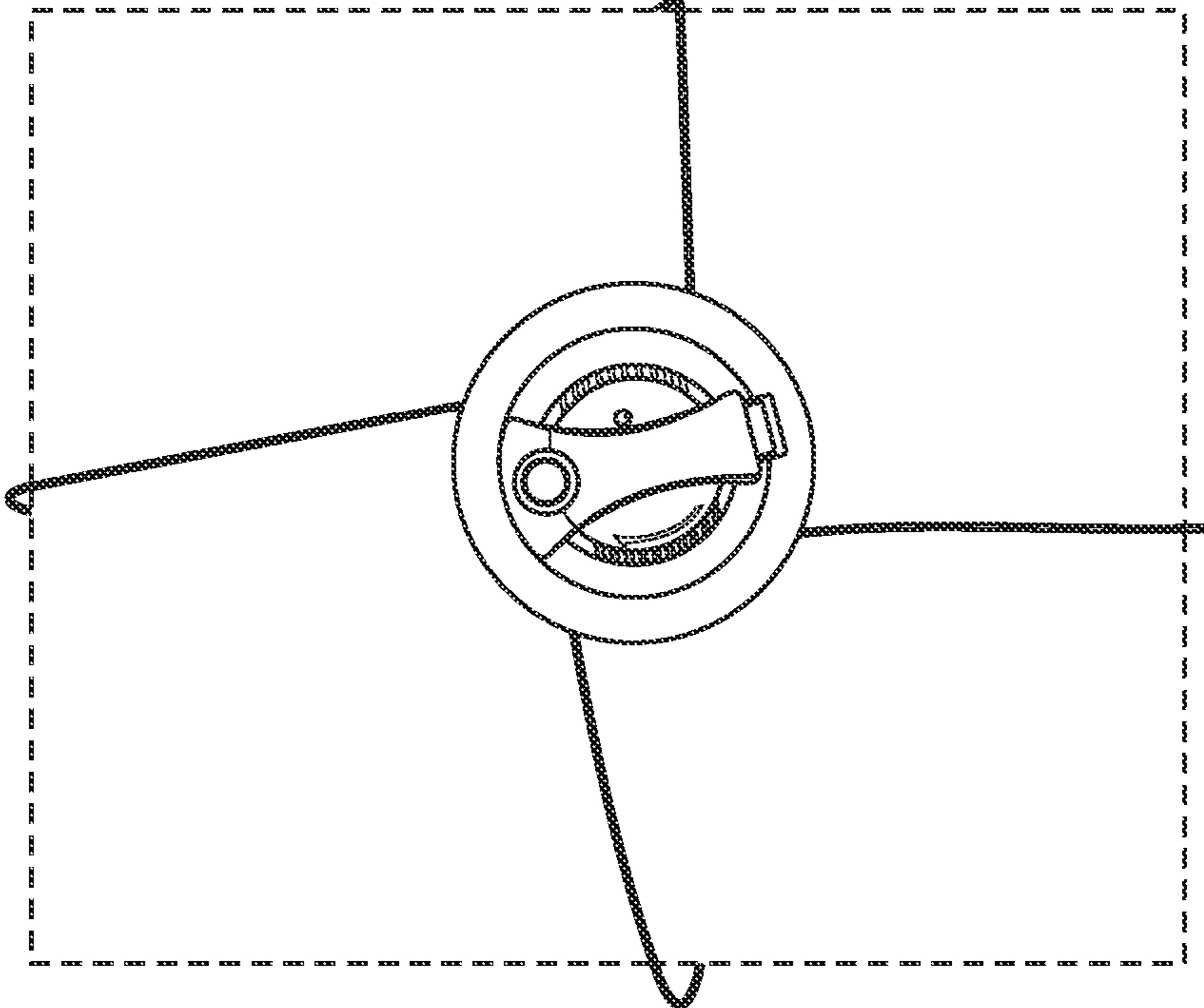


Fig. 7

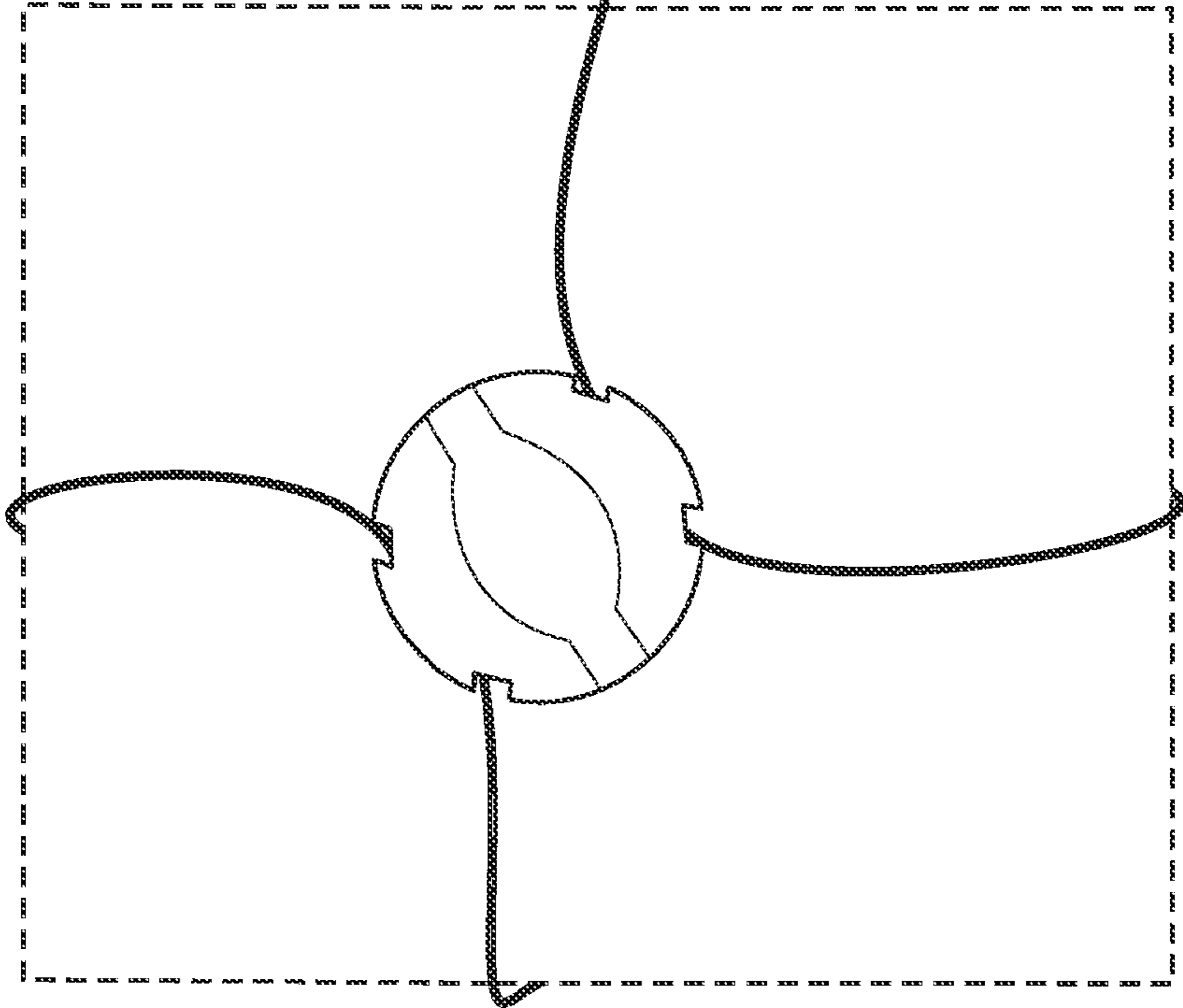


Fig. 8

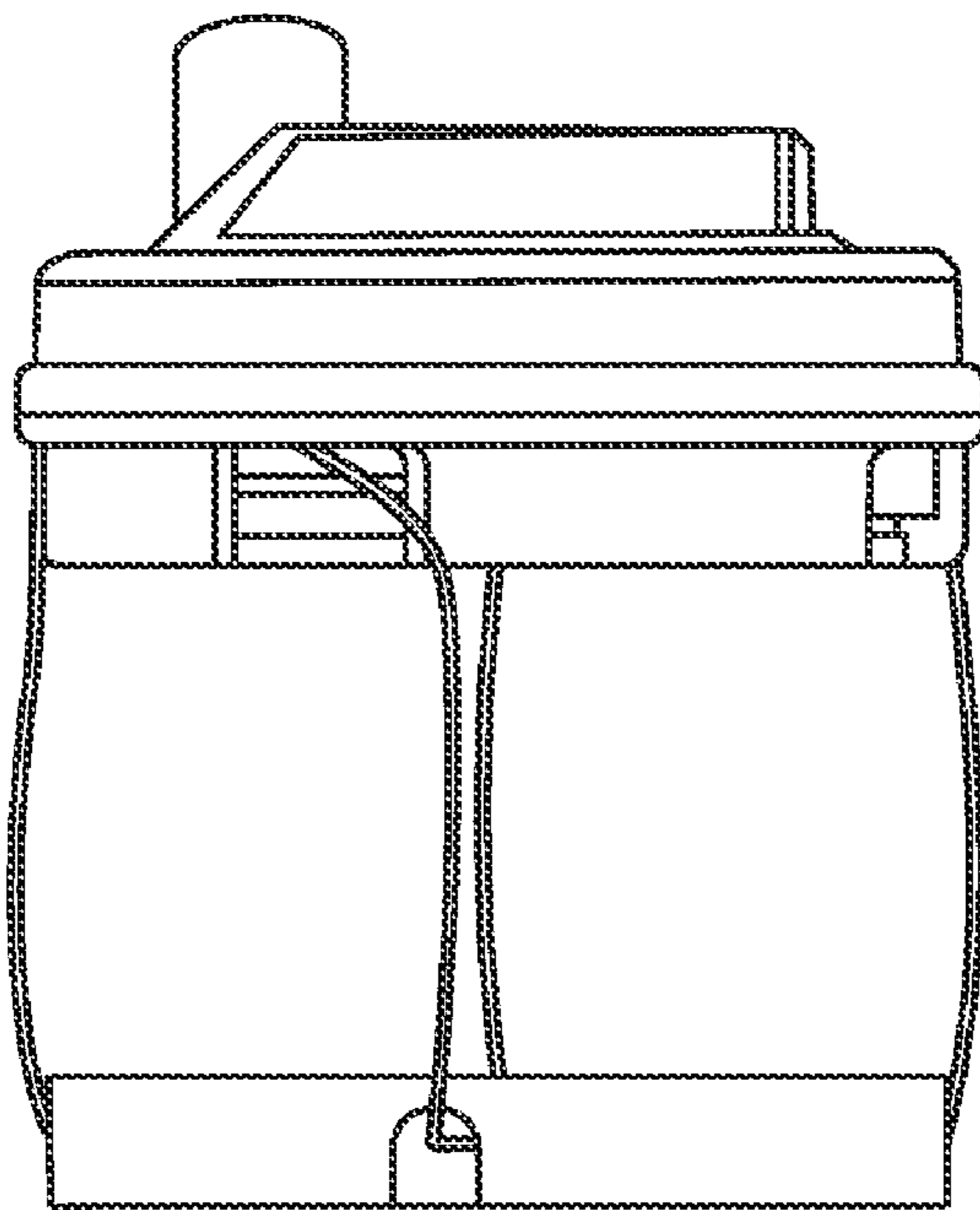


Fig. 9

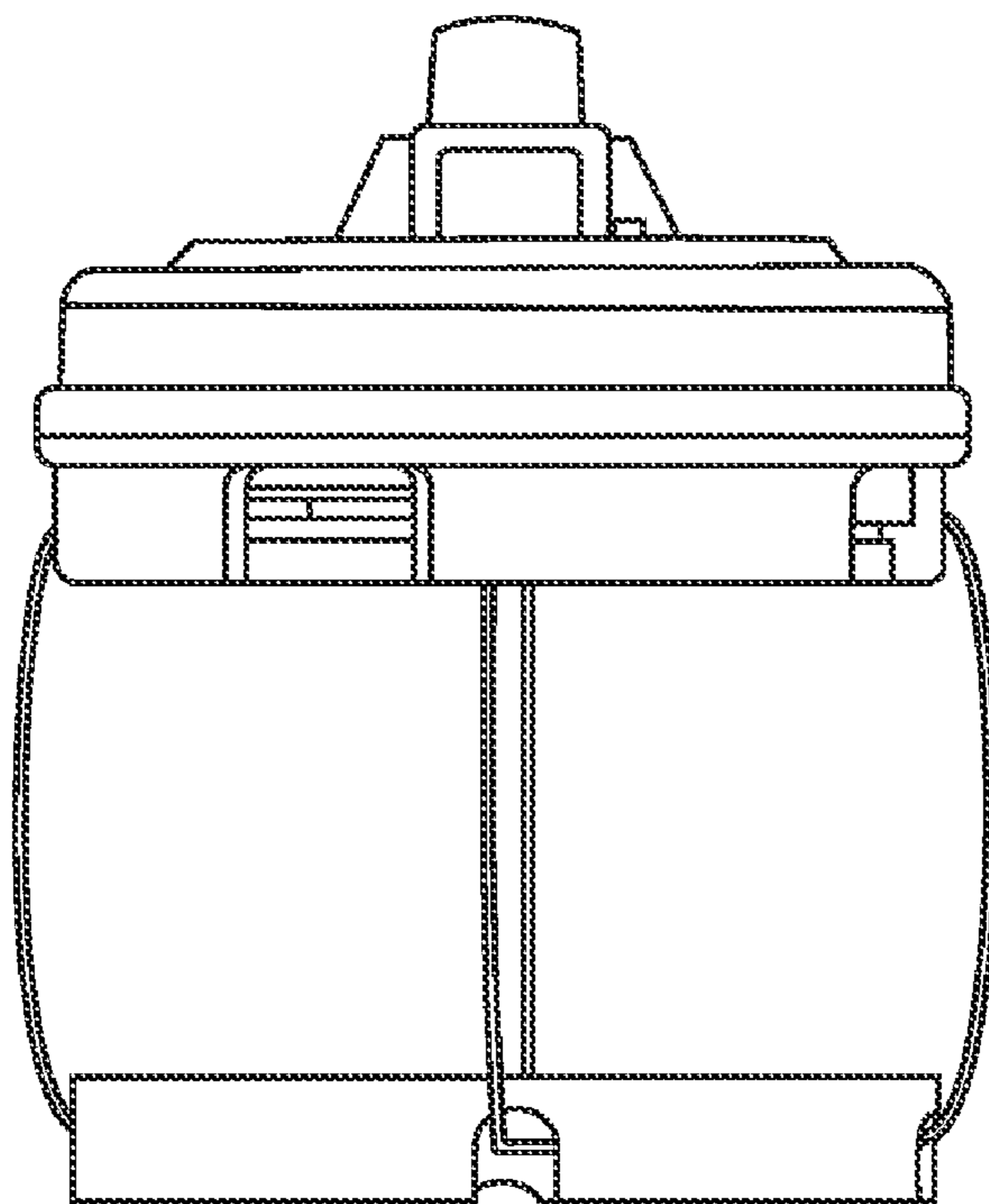


Fig. 10

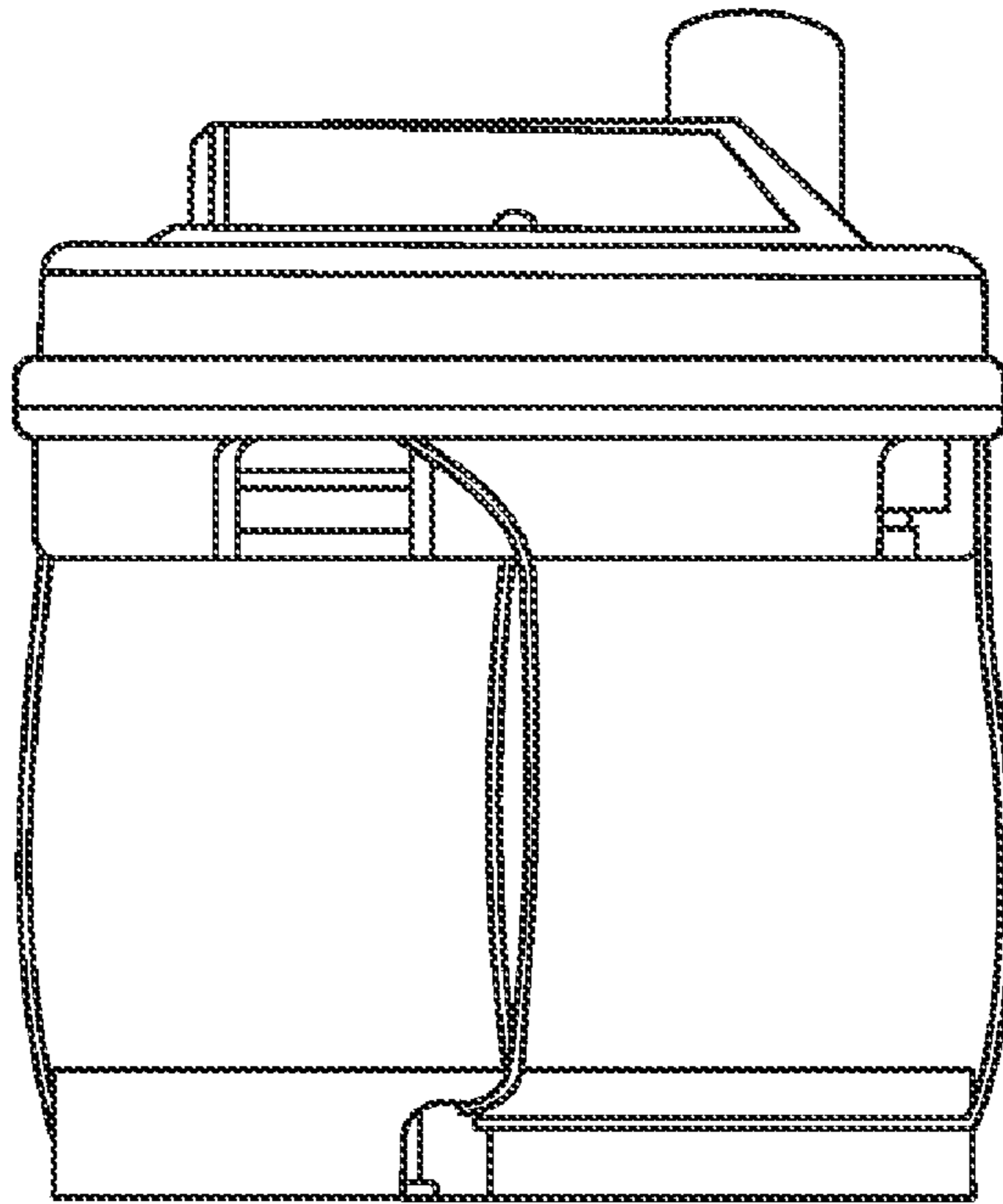


Fig. 11

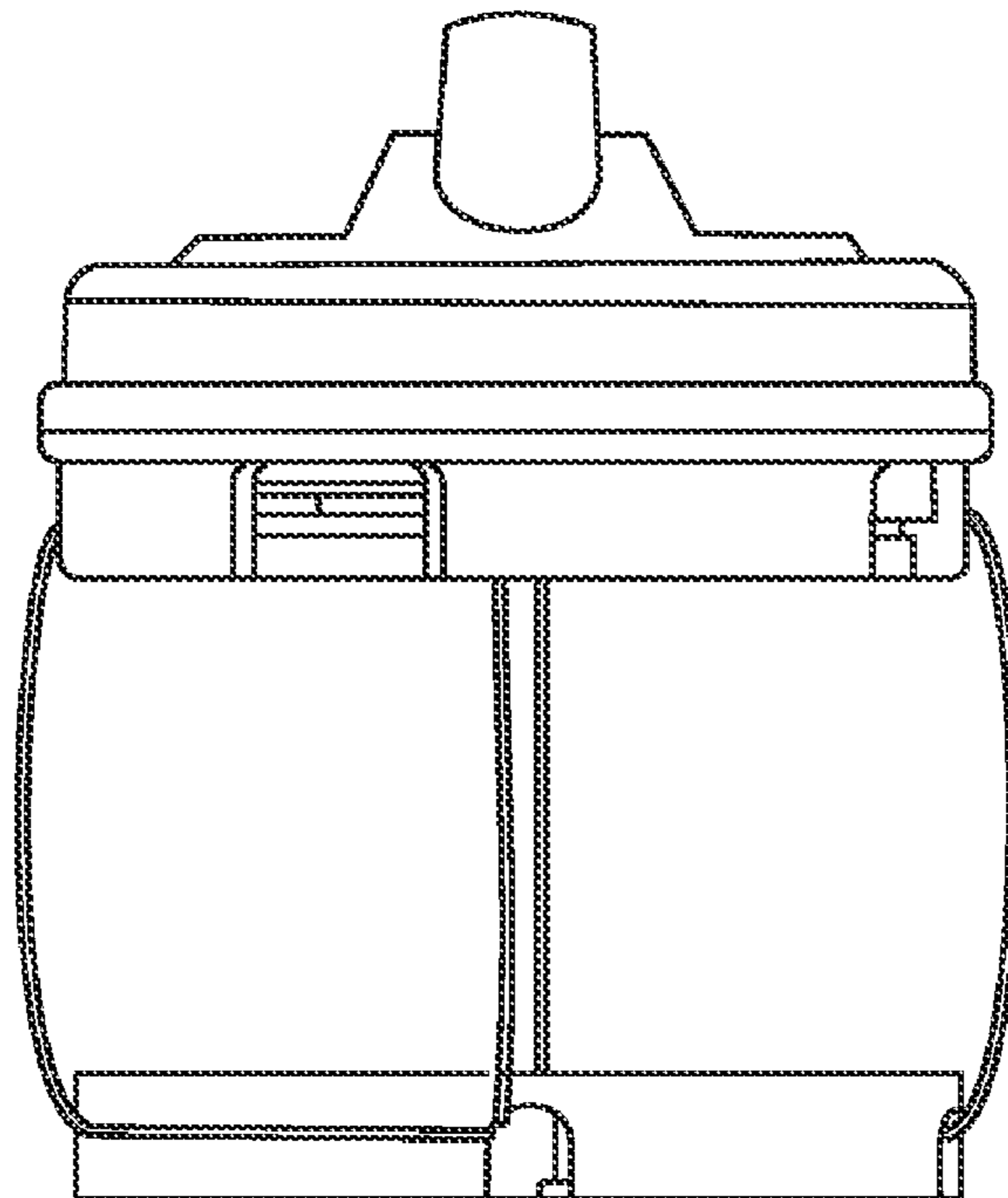


Fig. 12