



US00D628923S

(12) **United States Design Patent**
Sayegh et al.

(10) **Patent No.:** **US D628,923 S**
(45) **Date of Patent:** **** Dec. 14, 2010**

(54) **ELECTRONIC ARTICLE SURVEILLANCE
DEVICE HAVING LANYARDS FOR USE
WITH ARTICLES**

FOREIGN PATENT DOCUMENTS

CN 2572495 Y 9/2003

(Continued)

(75) Inventors: **Adel O. Sayegh**, Rancho Cucamonga,
CA (US); **Miaofu Yang**, Hangzhou (CN)

Primary Examiner—Caron Veynar

Assistant Examiner—George D Kirschbaum

(73) Assignee: **Universal Surveillance Corporation**,
Rancho Cucamonga, CA (US)

(74) *Attorney, Agent, or Firm*—Milord A. Keshishian

(**) Term: **14 Years**

(57) **CLAIM**

(21) Appl. No.: **29/336,539**

An ornamental design for an electronic article surveillance device having lanyards for use with articles, as shown and described.

(22) Filed: **May 5, 2009**

DESCRIPTION

(51) **LOC (9) Cl.** **10-05**

FIG. 1 is a top plan view of the electronic article surveillance device having lanyards for use with articles showing the design in an undeployed state;

(52) **U.S. Cl.** **D10/106**

FIG. 2 is a bottom plan view thereof in an undeployed state;

(58) **Field of Classification Search** D10/104,

D10/106; D8/333; D3/208; 24/704.1; 340/10.1,
340/571, 572.1, 572.9, 572.8; 40/625; 292/307 A,

FIG. 3 is a front side view thereof in an undeployed state;

292/326; 224/221; 42/70.11; 70/16

FIG. 4 is a left side view thereof in an undeployed state;

See application file for complete search history.

FIG. 5 is a right side view thereof in an undeployed state;

(56) **References Cited**

U.S. PATENT DOCUMENTS

1,124,130	A *	1/1915	Grant	24/18
1,141,245	A *	6/1915	Gillespie	24/18
1,165,320	A *	12/1915	Clary	24/18
1,165,816	A *	12/1915	Tichenor	24/18
3,858,280	A	1/1975	Martens	
3,911,534	A	10/1975	Martens et al.	
3,932,918	A	1/1976	Paskert	
3,942,829	A	3/1976	Humble et al.	
3,974,581	A	8/1976	Martens et al.	
4,221,025	A	9/1980	Martens et al.	

FIG. 6 is a rear side view thereof in an undeployed state;

FIG. 7 is top plan view thereof in a deployed state;

FIG. 8 is a bottom plan view thereof in a deployed state;

FIG. 9 is front side view thereof in an extended state;

FIG. 10 is a right side view thereof in an extended state;

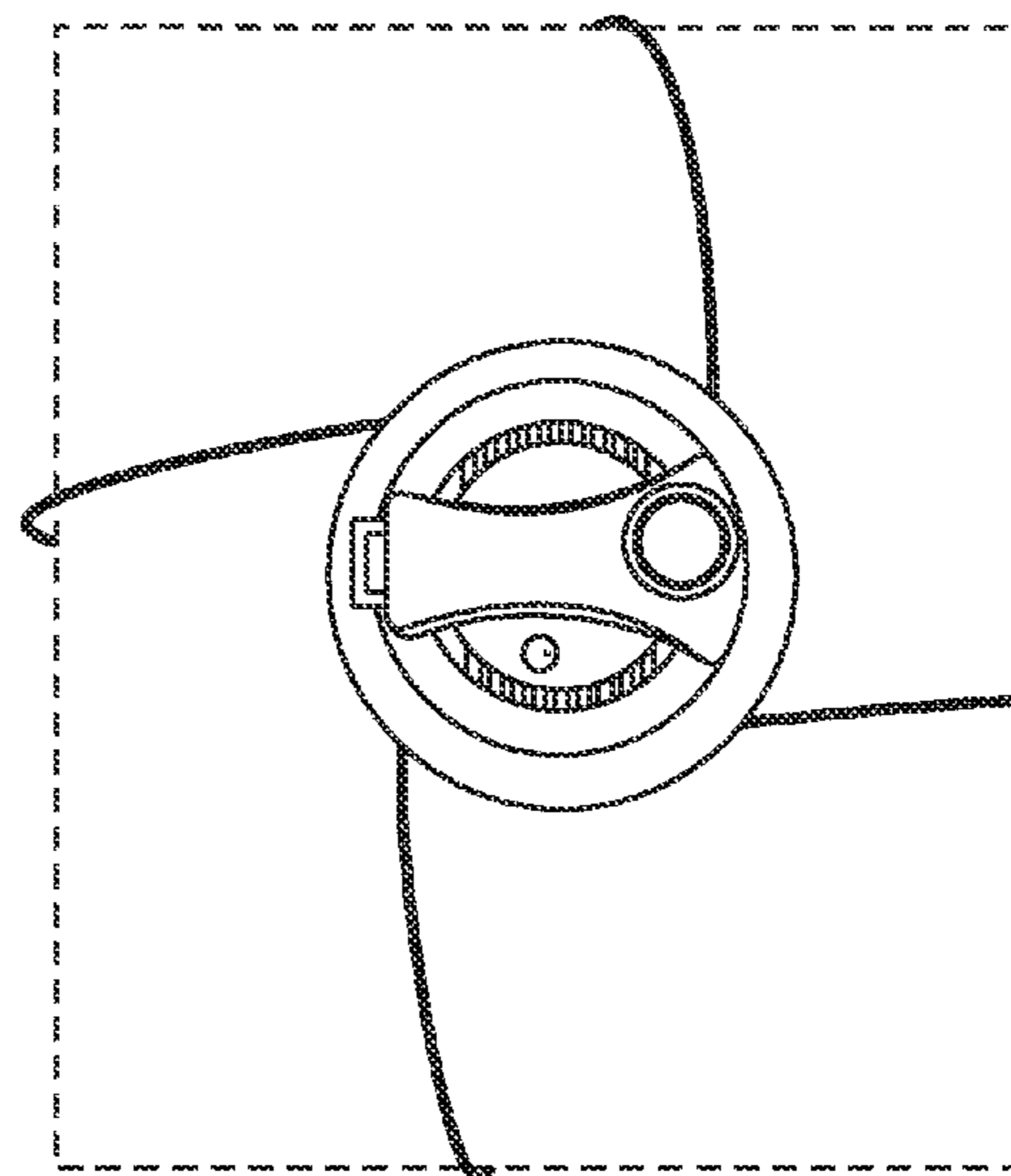
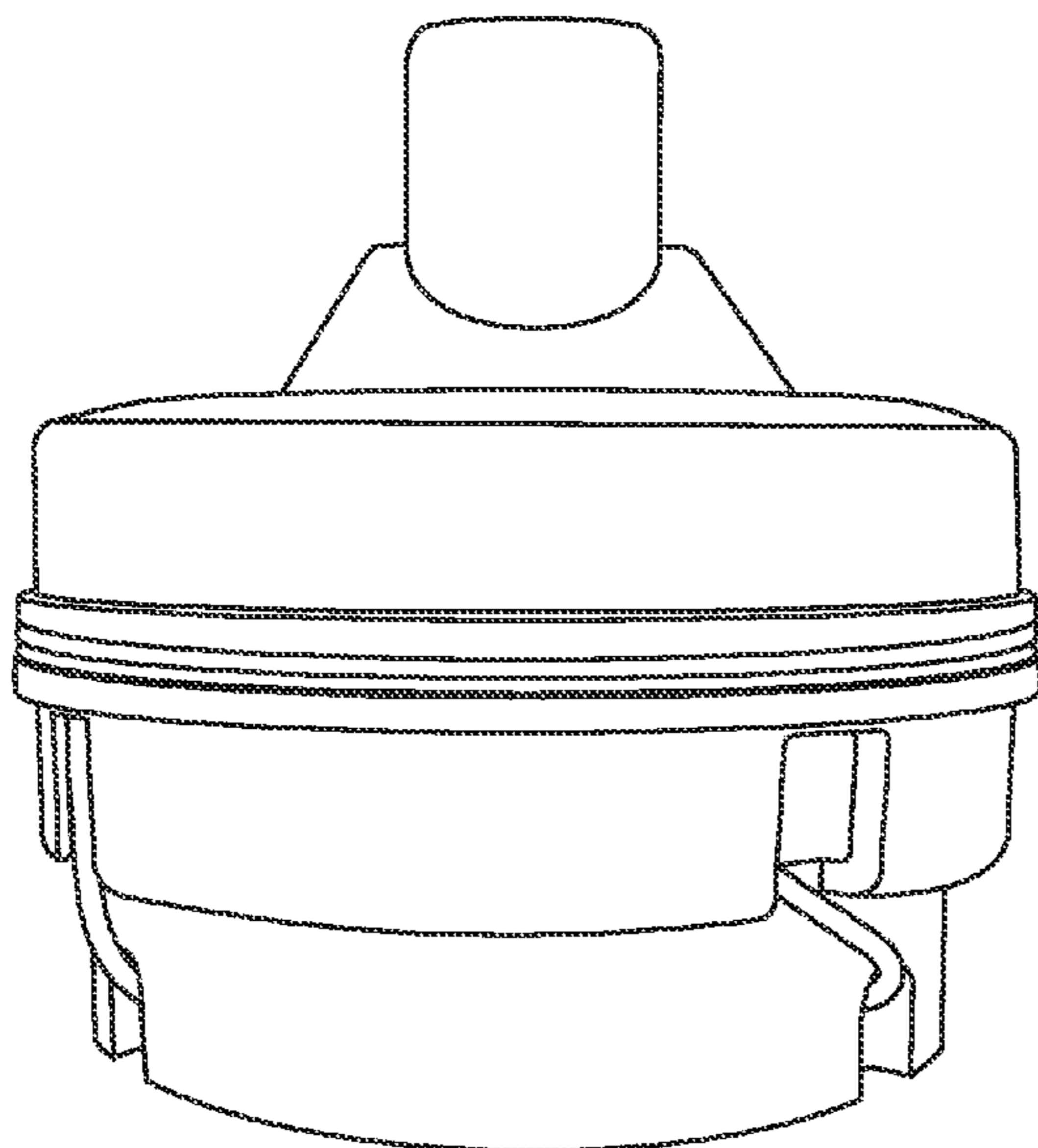
FIG. 11 is a rear side view thereof in an extended state; and,

FIG. 12 is a left side view thereof in an extended state.

In the drawings, the broken line showing of a box depicts environmental subject matter and forms no part of the claim.

(Continued)

1 Claim, 6 Drawing Sheets



US D628,923 S

Page 2

U.S. PATENT DOCUMENTS

4,588,218 A 5/1986 Guiler et al.
5,610,587 A 3/1997 Fujiuchi et al.
5,722,266 A 3/1998 Yeager et al.
5,794,464 A 8/1998 Yeager et al.
6,052,876 A 4/2000 Hogen et al.
6,092,401 A 7/2000 Sankey et al.
6,535,130 B2 3/2003 Nguyen et al.
D492,215 S 6/2004 Lu
6,933,847 B2 8/2005 Feibelman
7,062,823 B2 6/2006 Copen et al.
7,129,841 B2 10/2006 Feibelman
D545,228 S * 6/2007 Fawcett et al. D10/105

7,227,467 B2 6/2007 Feibelman
D555,024 S * 11/2007 Fawcett et al. D10/104
D556,072 S * 11/2007 Fawcett et al. D10/104
7,497,101 B2 * 3/2009 Fawcett et al. 70/57
7,522,048 B2 * 4/2009 Belden, Jr. 340/568.4
2006/0053845 A1 * 3/2006 Benda et al. 70/18
2006/0145873 A1 7/2006 Feibelman et al.
2008/0156047 A1 7/2008 Sayegh

FOREIGN PATENT DOCUMENTS

CN WO2006040693 4/2006

* cited by examiner

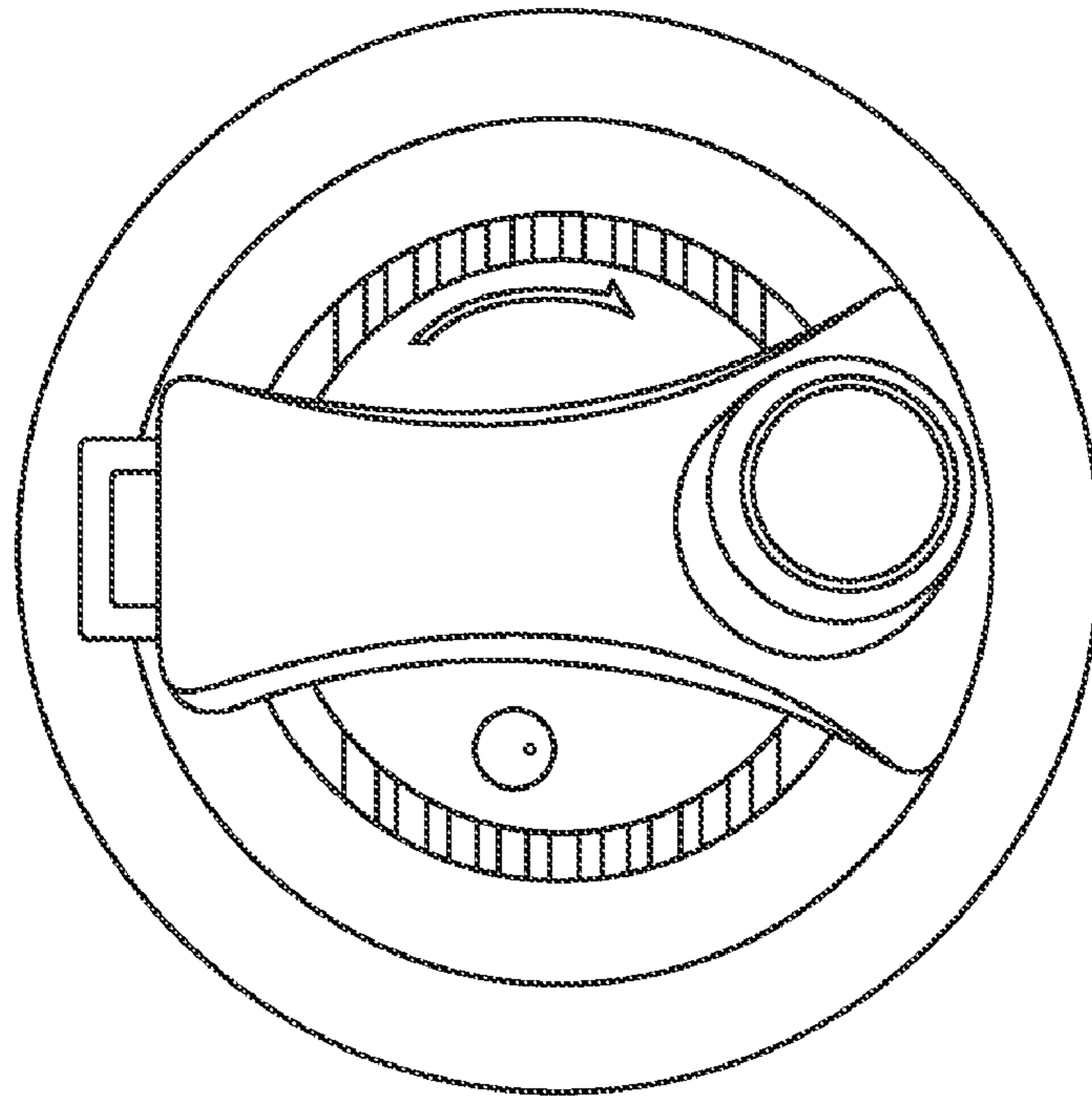


Fig. 1

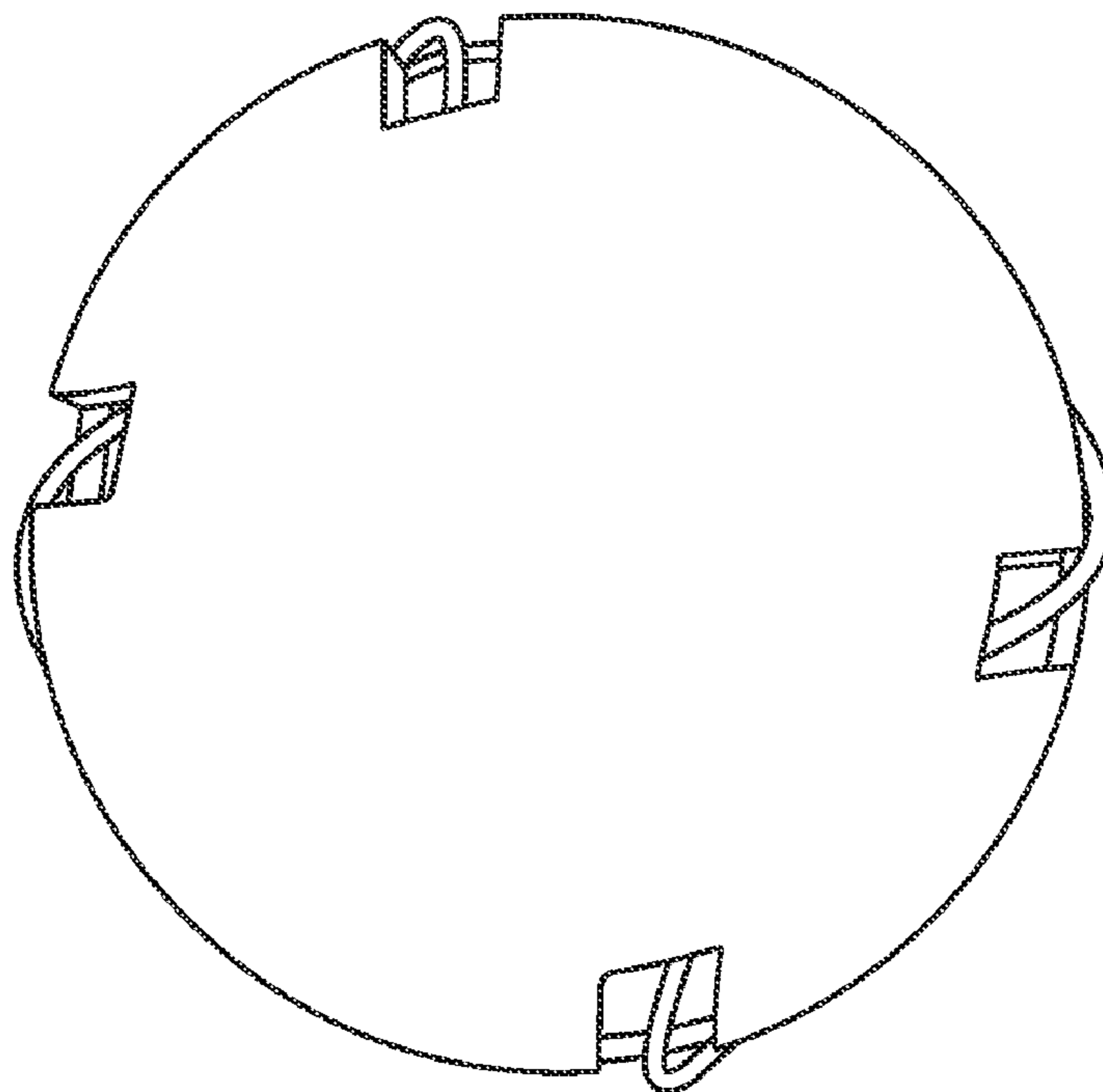


Fig. 2

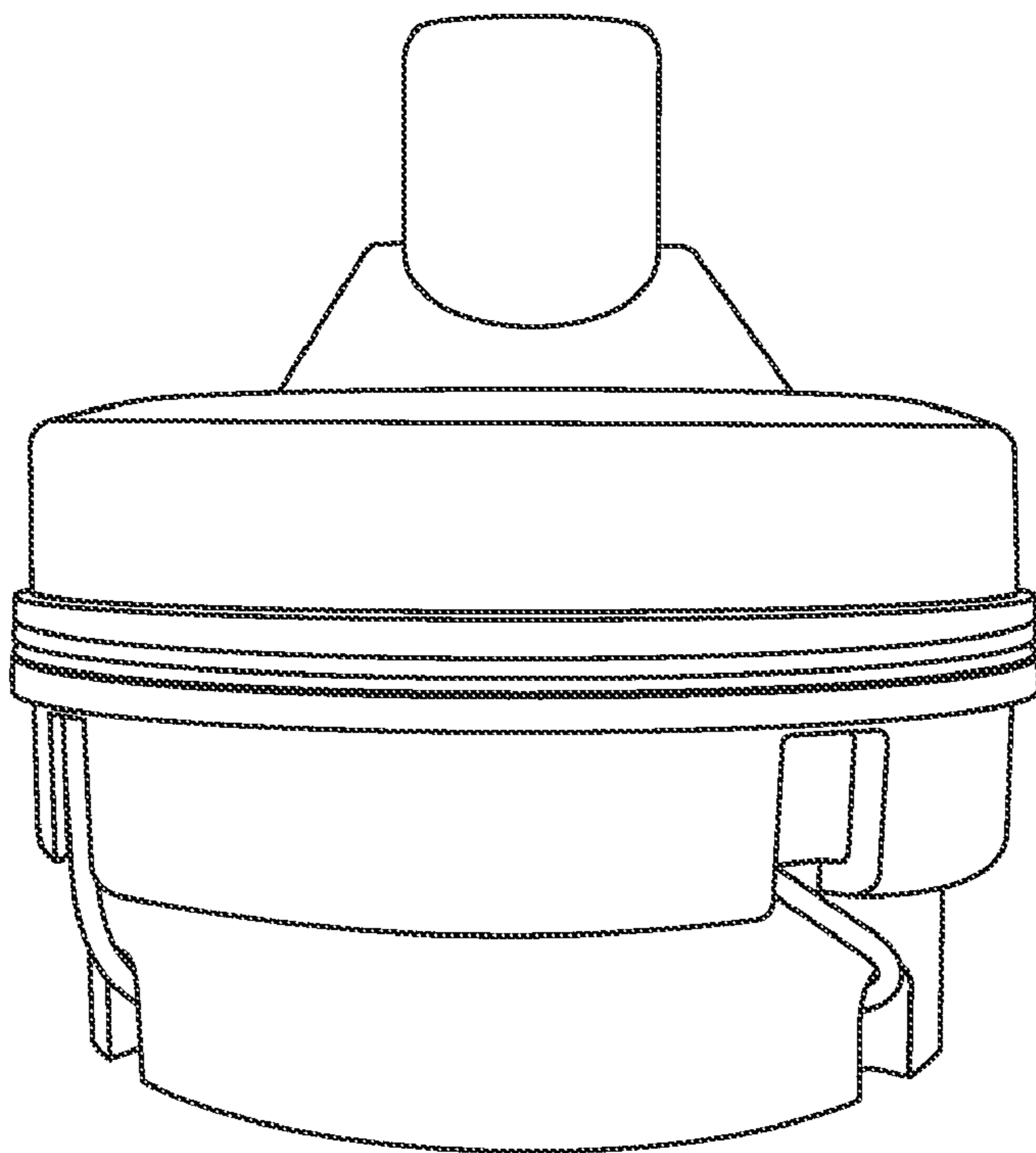


Fig. 3

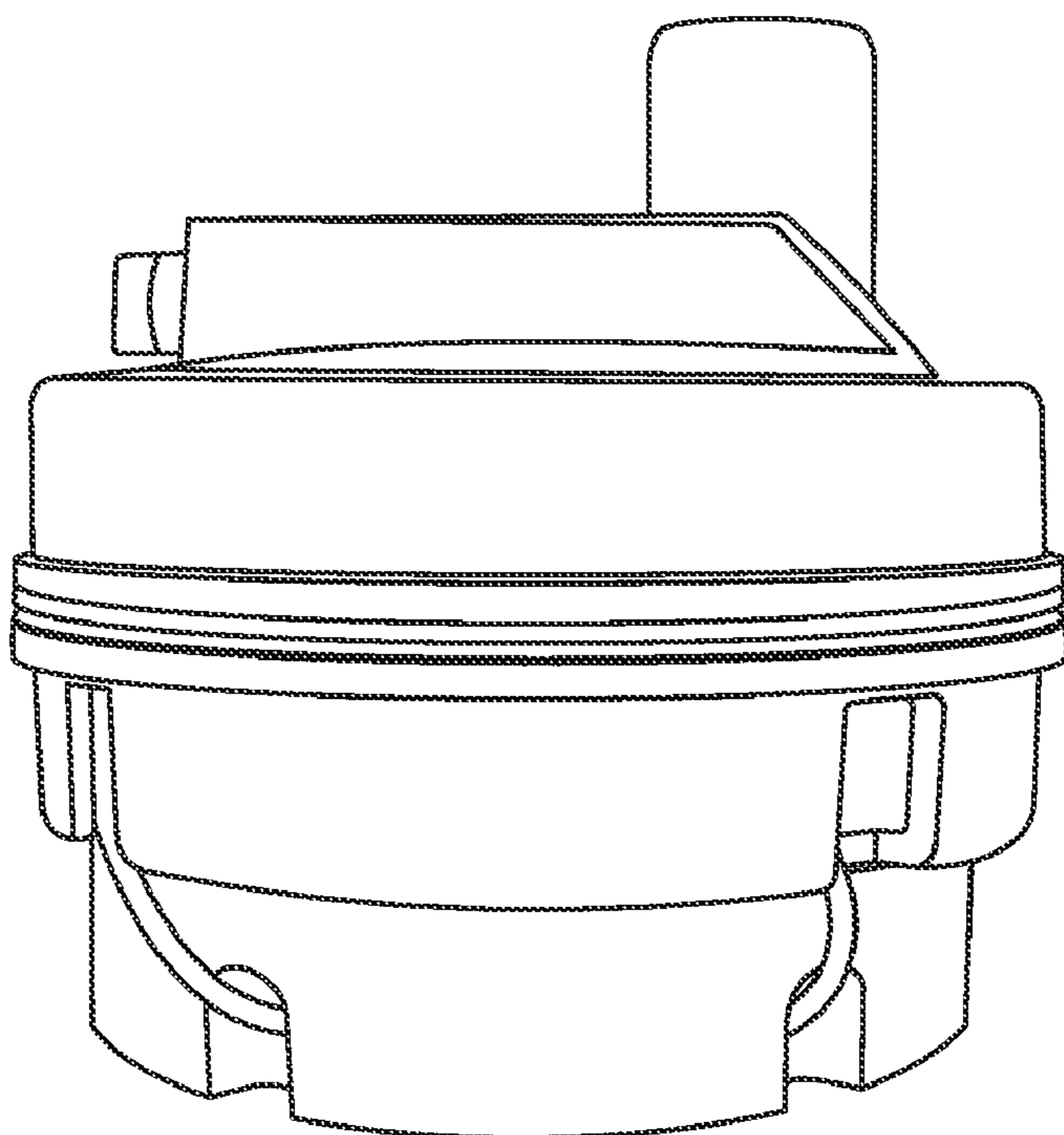


Fig. 4

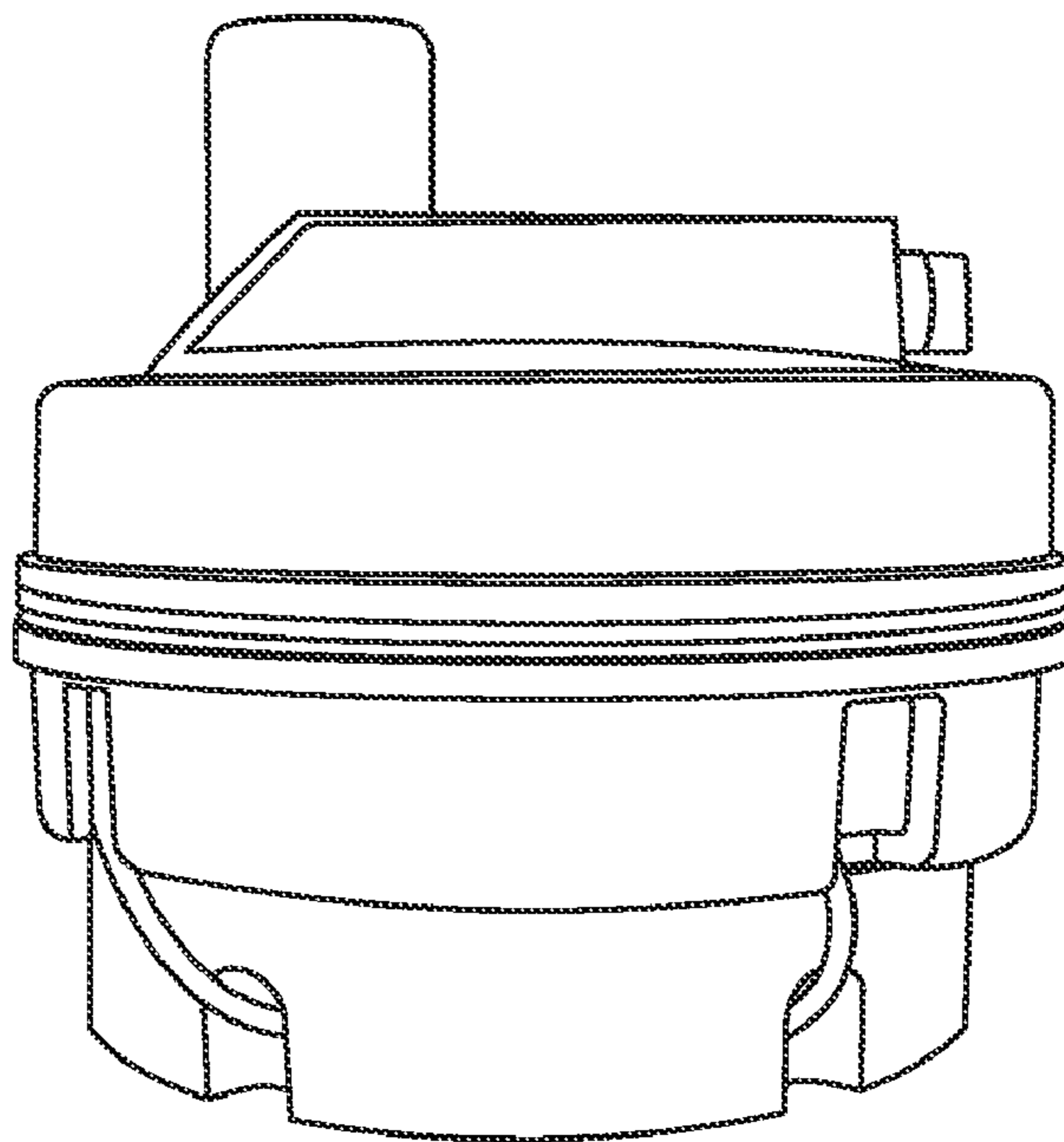


Fig. 5

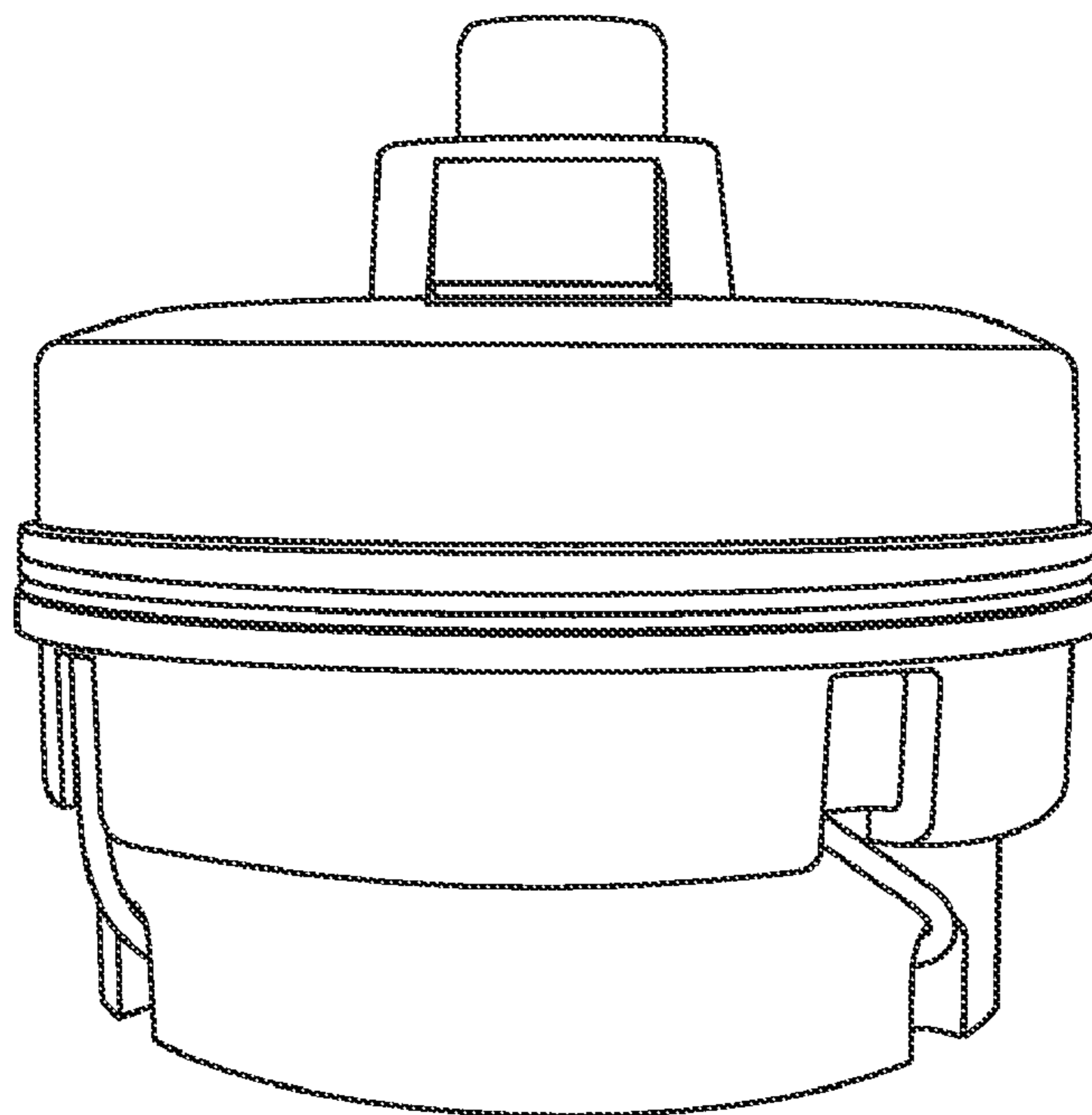


Fig. 6

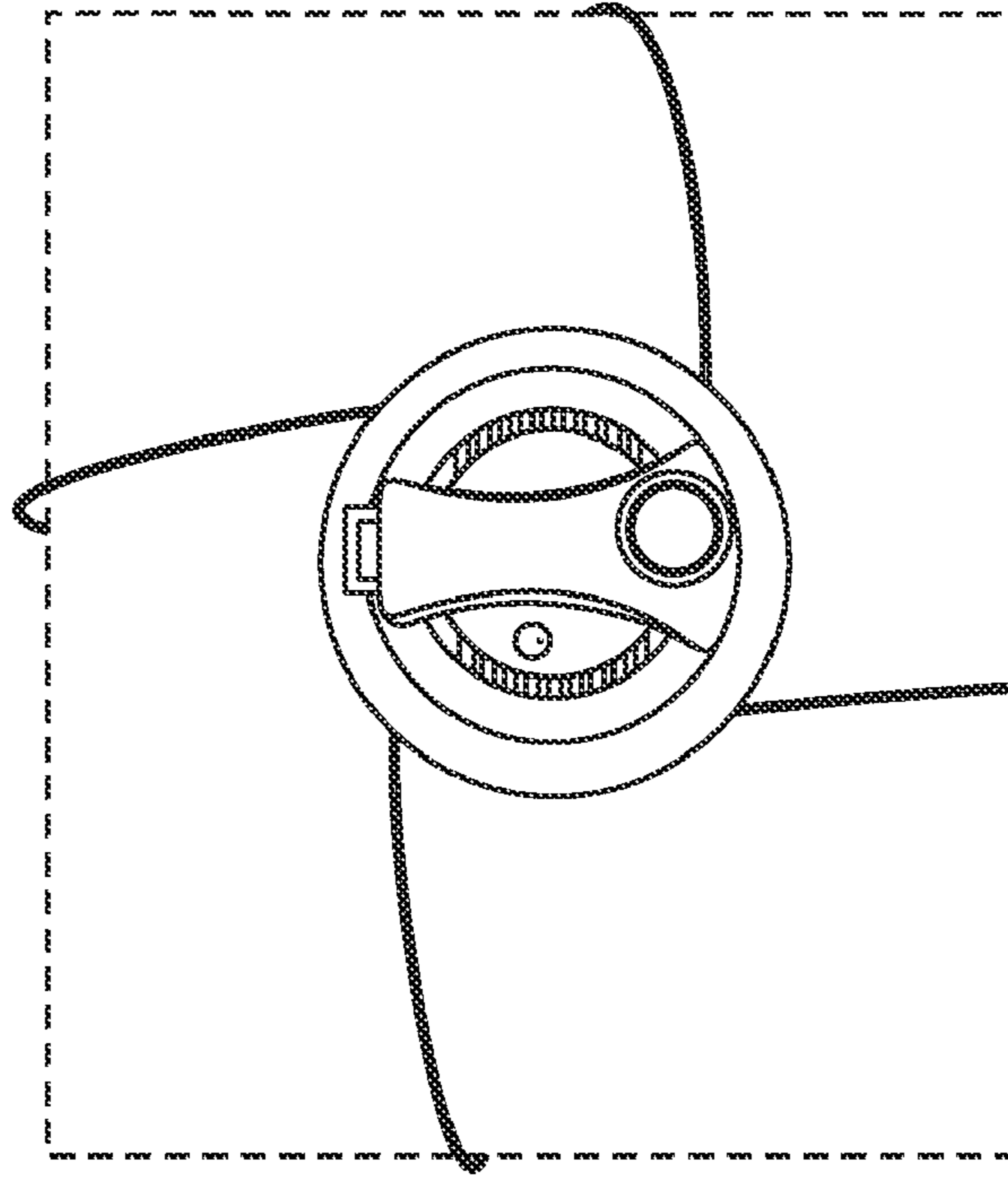


Fig. 7

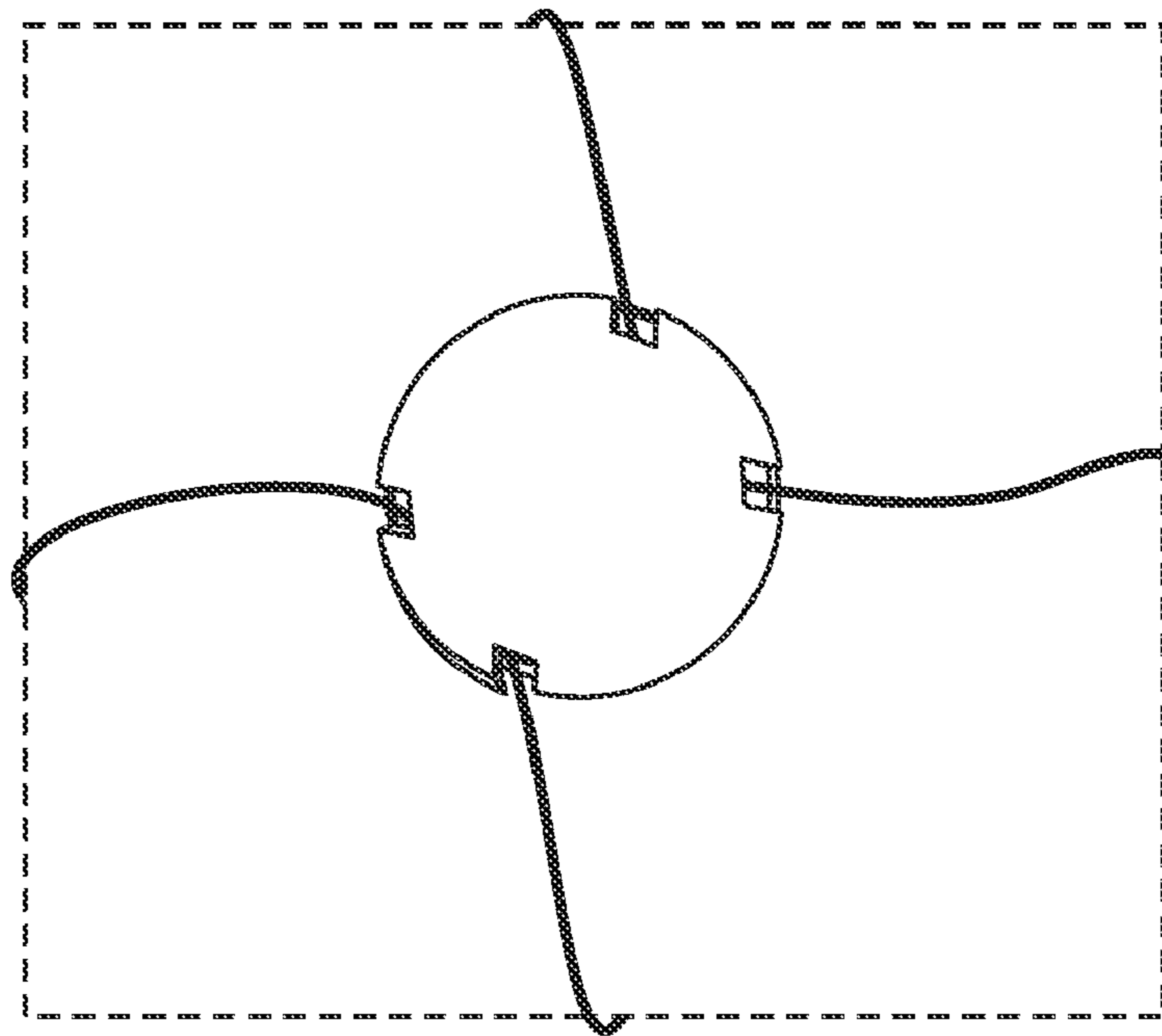


Fig. 8

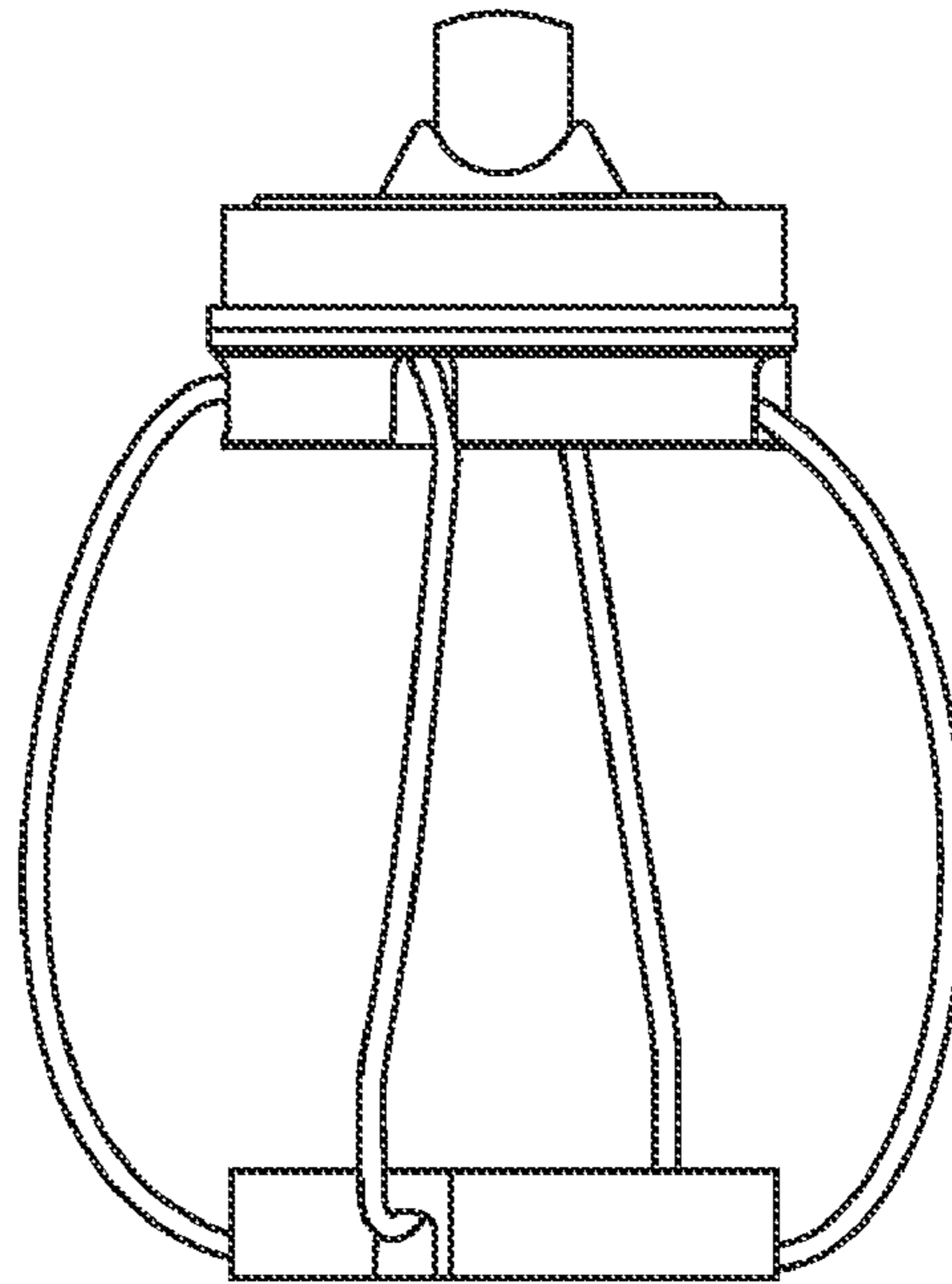


Fig. 9

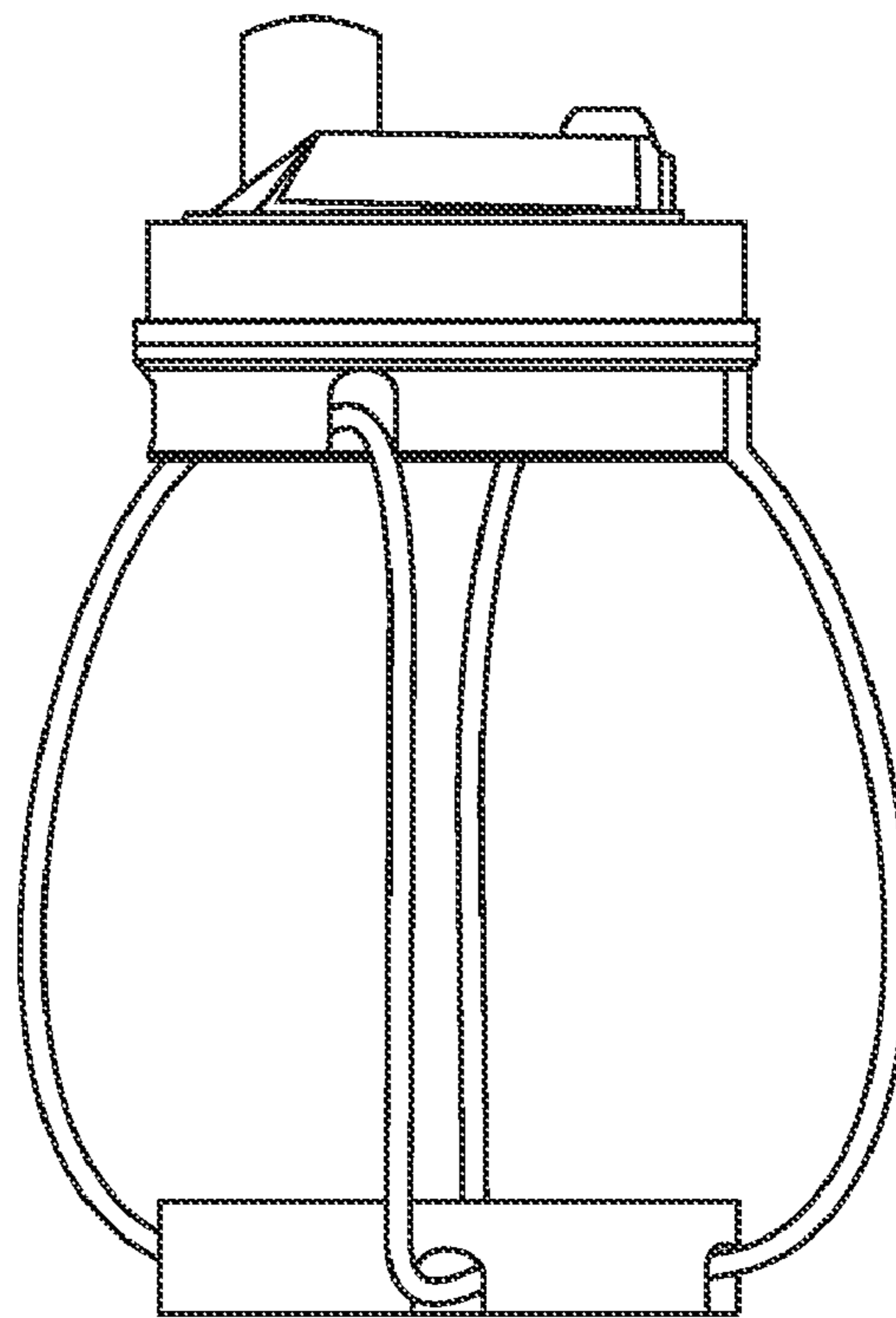


Fig. 10

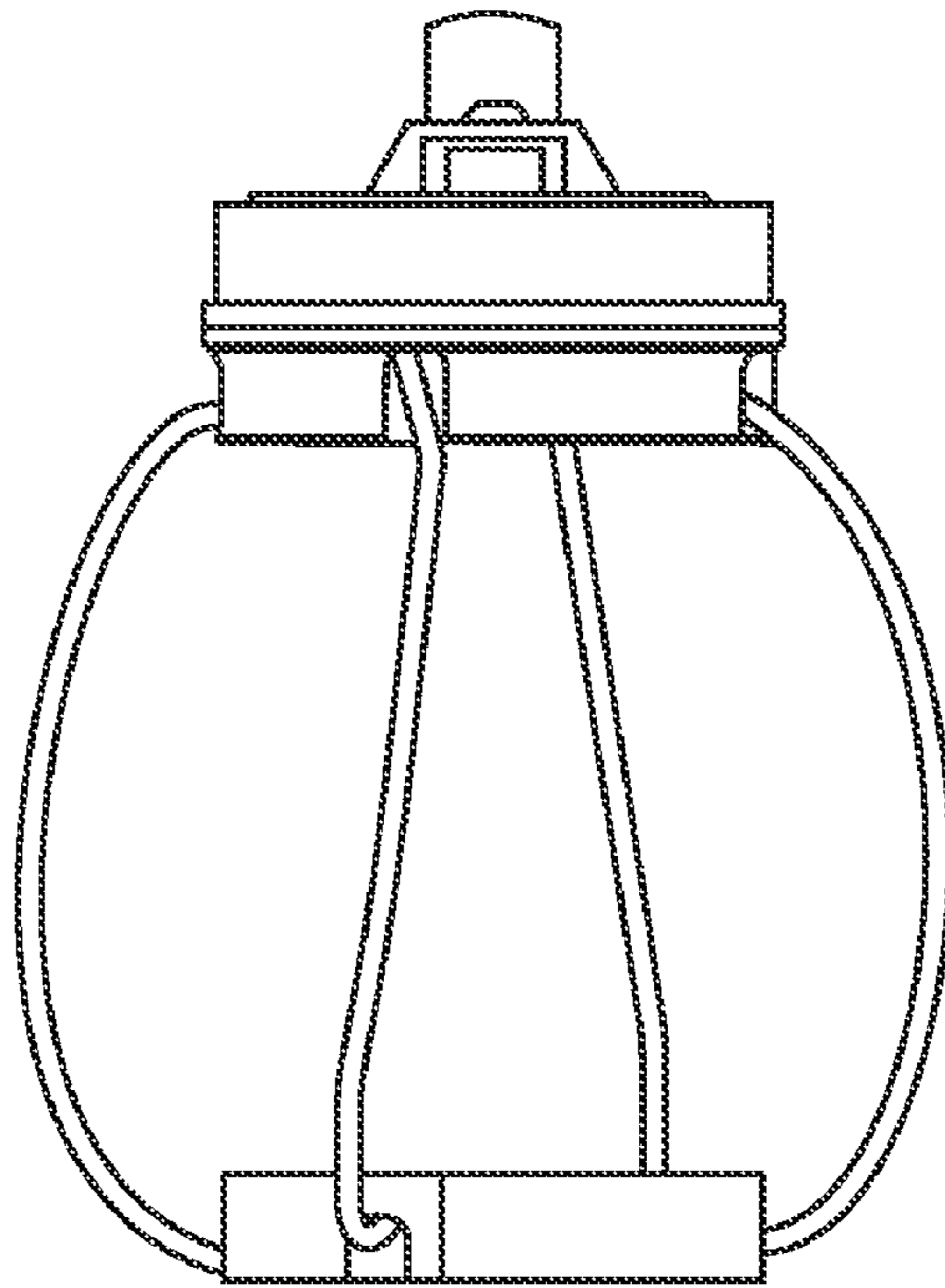


Fig. 11

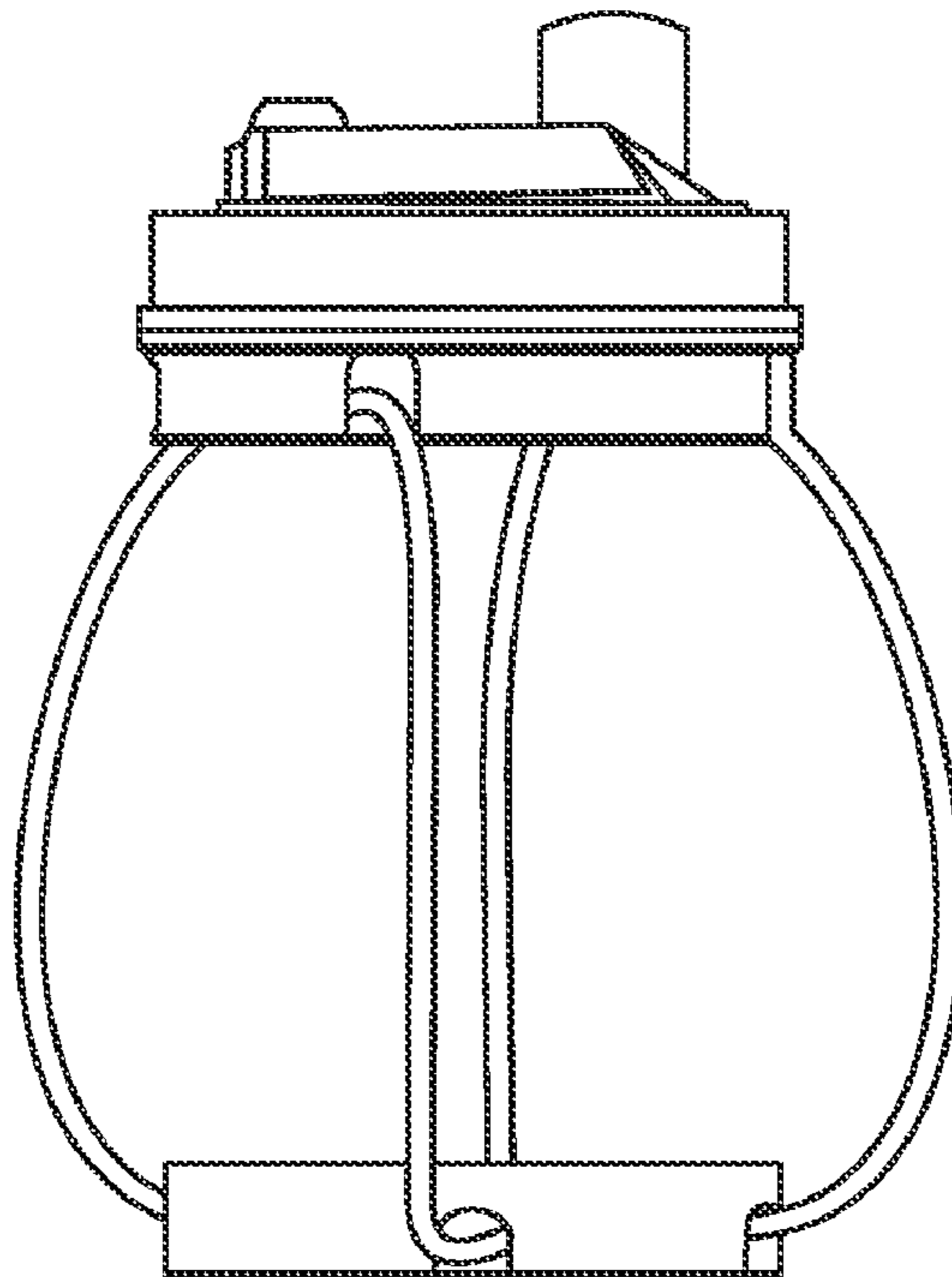


Fig. 12