



US00D628921S

(12) **United States Design Patent**
Shi-Wei

(10) **Patent No.:** **US D628,921 S**
(45) **Date of Patent:** **** Dec. 14, 2010**

(54) **SENSOR**

(75) **Inventor:** **Yang Shi-Wei, Taoyuan (TW)**

(73) **Assignee:** **Acewell International Co., Ltd. (TW)**

(**) **Term:** **14 Years**

(21) **Appl. No.:** **29/353,271**

(22) **Filed:** **Jan. 6, 2010**

(30) **Foreign Application Priority Data**

Sep. 28, 2009 (TW) 98304588

(51) **LOC (9) Cl.** **10-04**

(52) **U.S. Cl.** **D10/98**

(58) **Field of Classification Search** D10/98;
73/514.07, 514.08, 514.31, 514.05, 514.06,
73/514.16, 514.39; 324/160, 173, 174, 179
See application file for complete search history.

(56) **References Cited**

U.S. PATENT DOCUMENTS

D589,827 S * 4/2009 Ueda D10/98

* cited by examiner

Primary Examiner—Antoine D Davis

(74) *Attorney, Agent, or Firm*—Allen, Dyer, Doppelt,
Milbrath & Gilchrist, P.A.

(57) **CLAIM**

The ornamental design for a sensor, as shown and described.

DESCRIPTION

FIG. 1 is a schematic view showing the sensor of my new design;

FIG. 2 is a front view thereof;

FIG. 3 is a rear schematic view thereof; and

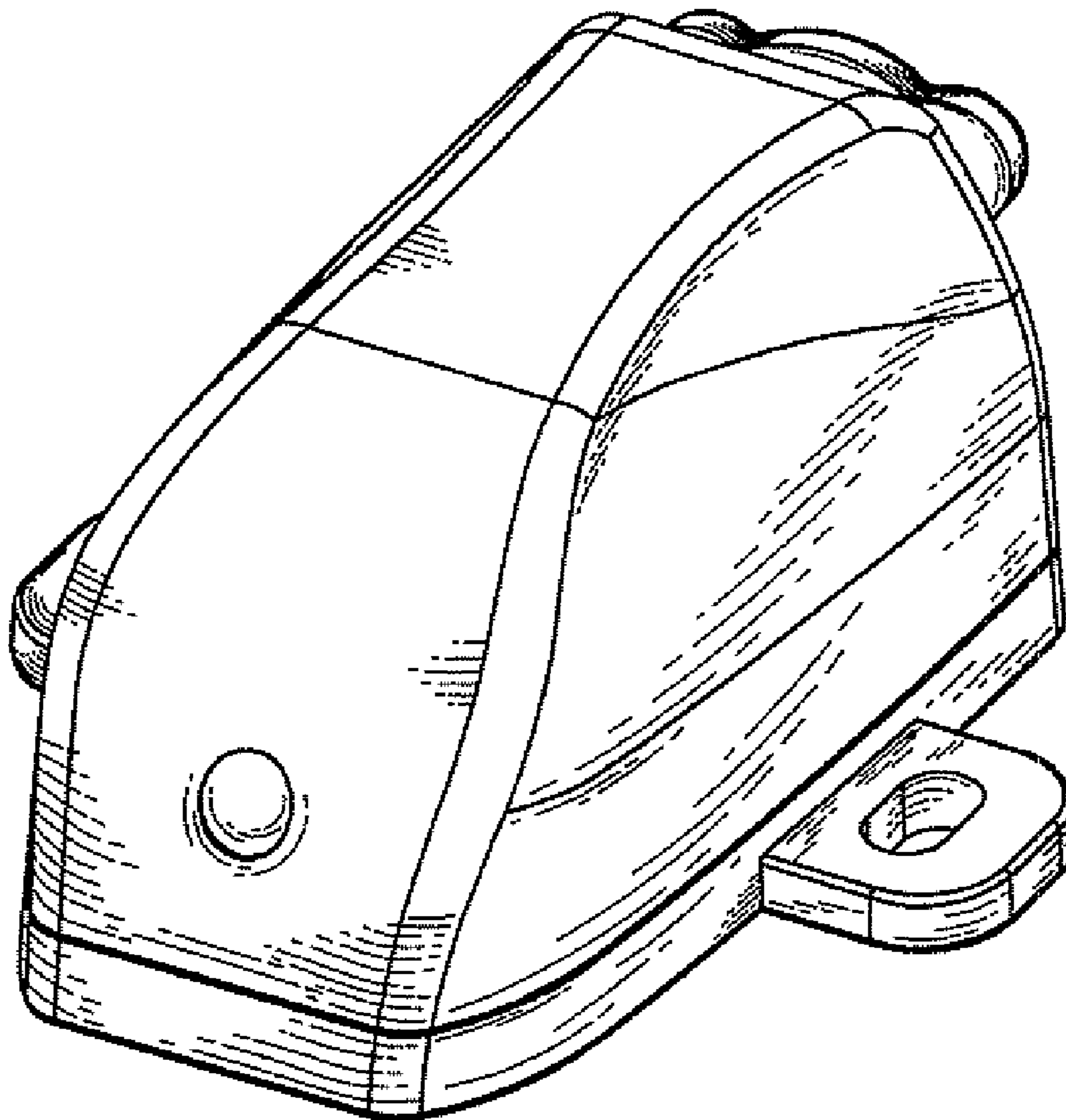
FIG. 4 is a right side view thereof;

FIG. 5 is a left side view thereof;

FIG. 6 is a top view thereof; and,

FIG. 7 is a bottom view thereof.

1 Claim, 7 Drawing Sheets



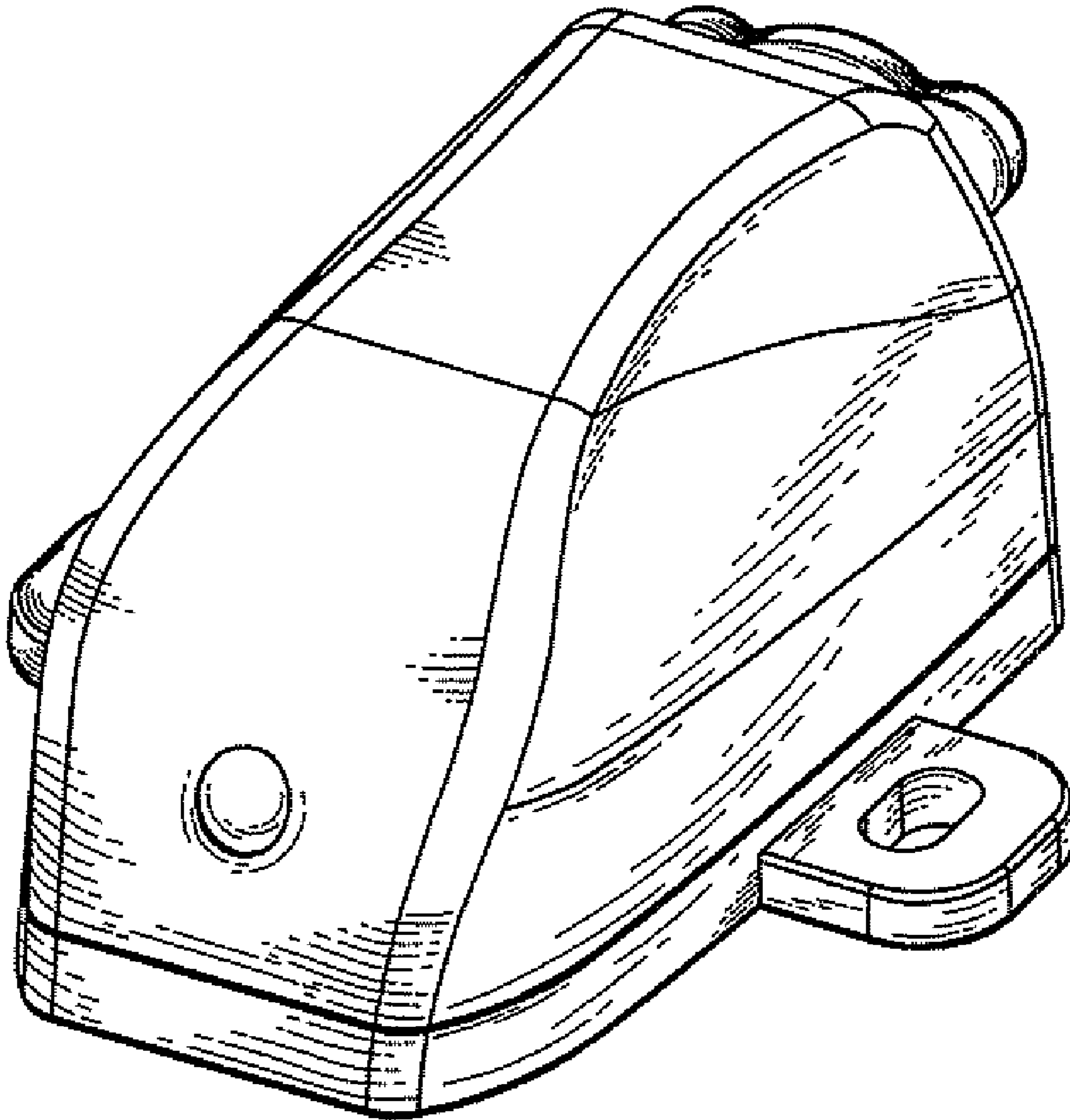


Fig. 1

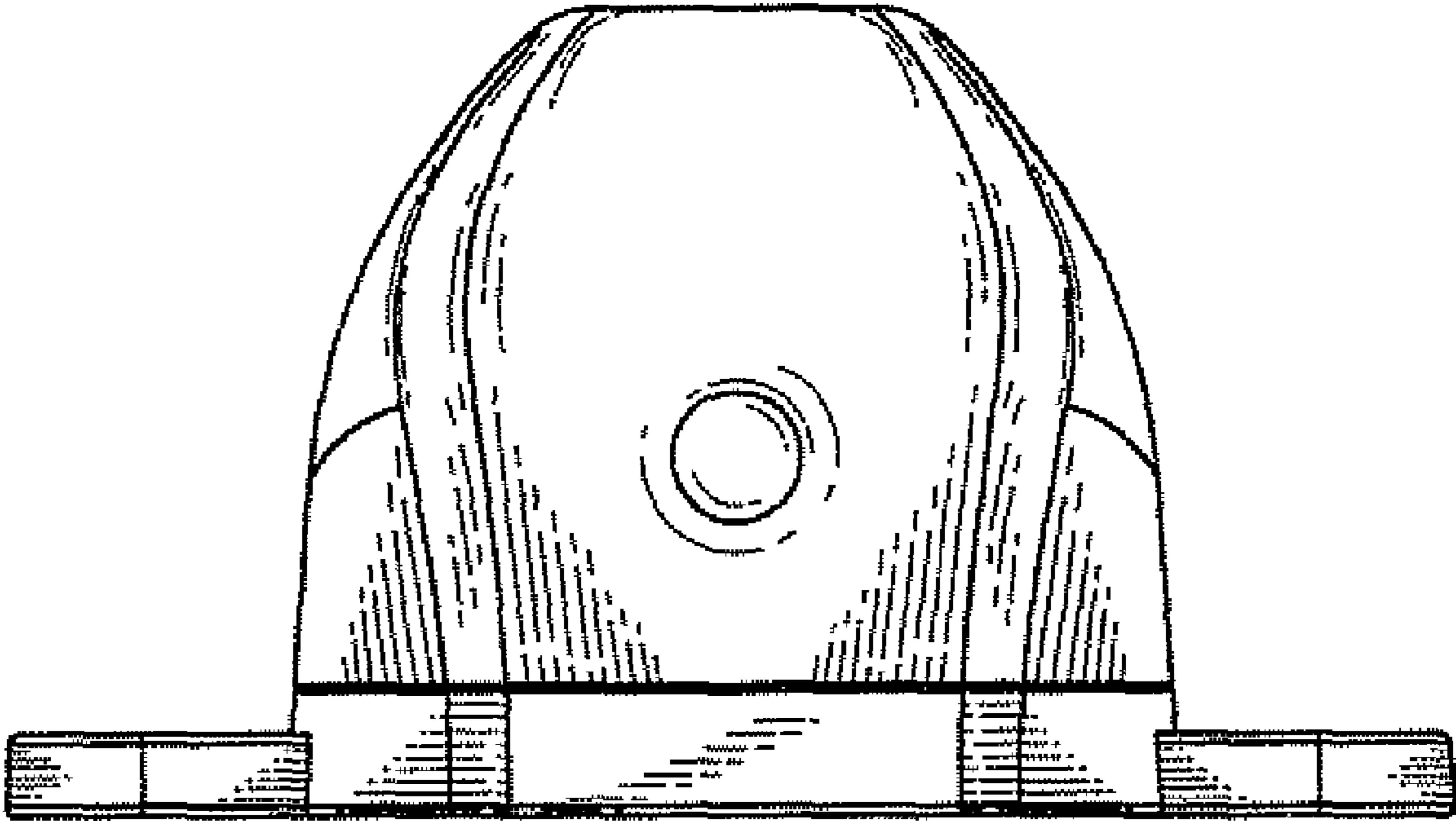


Fig. 2

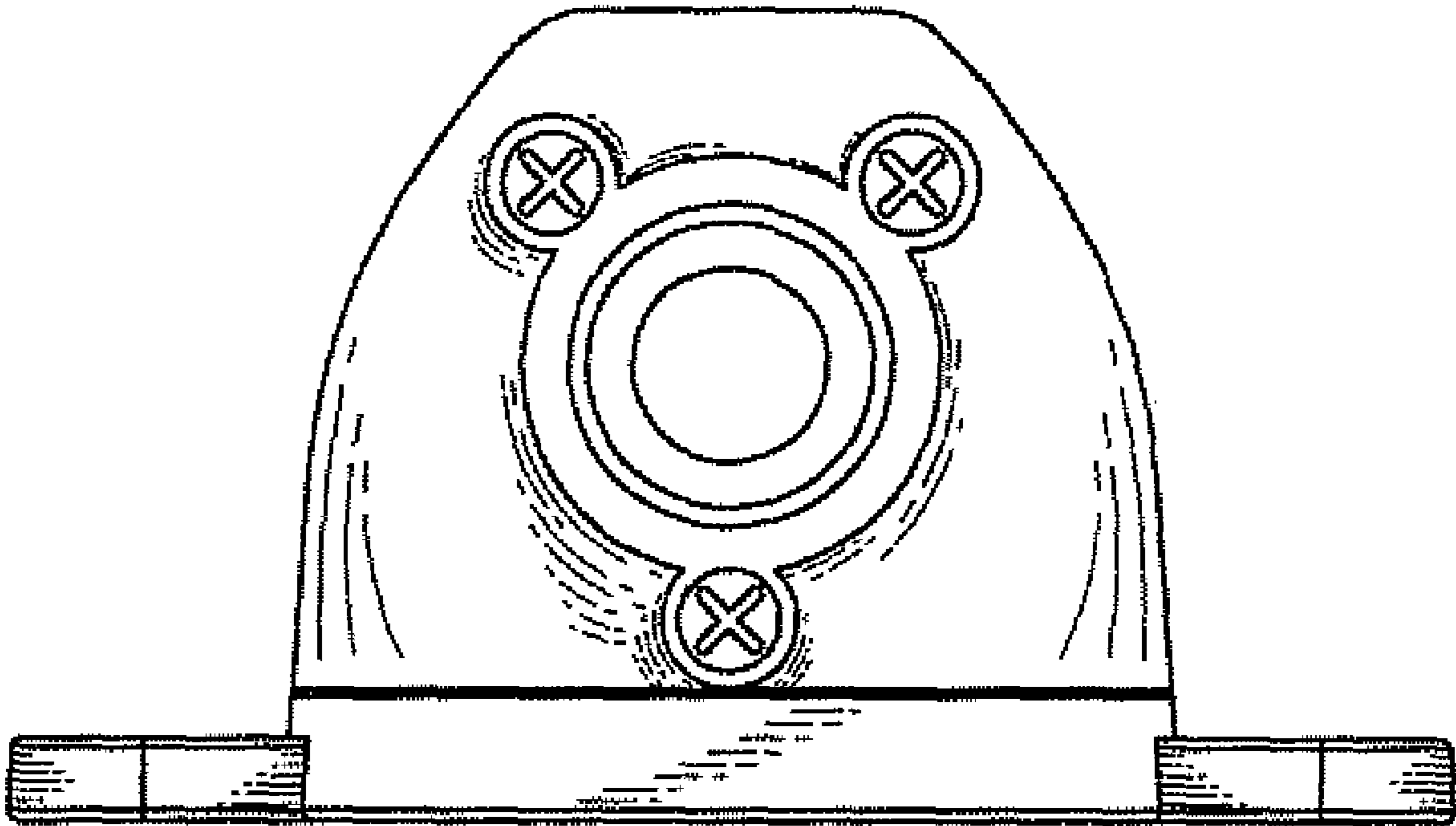


Fig. 3

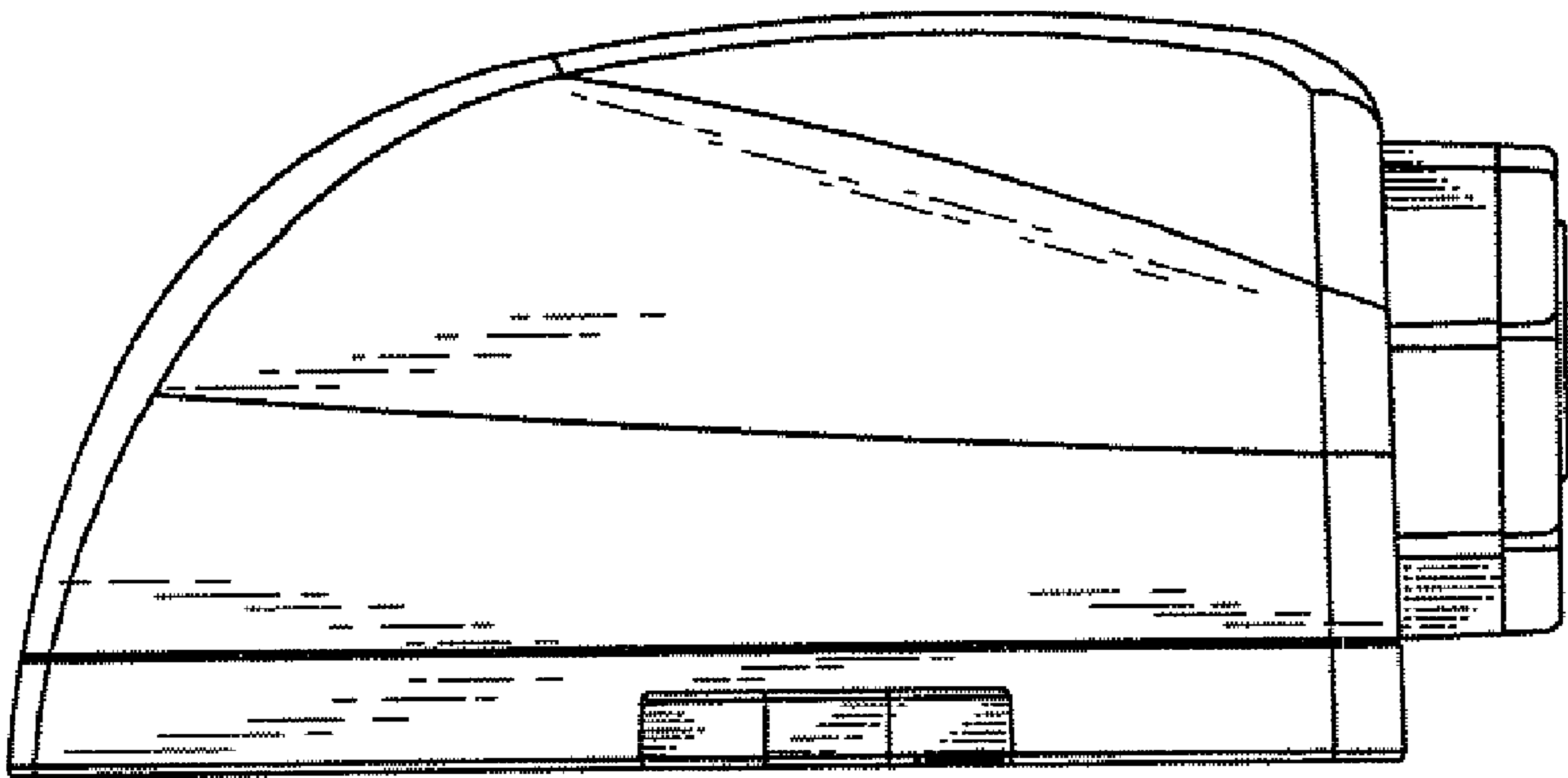


Fig. 4

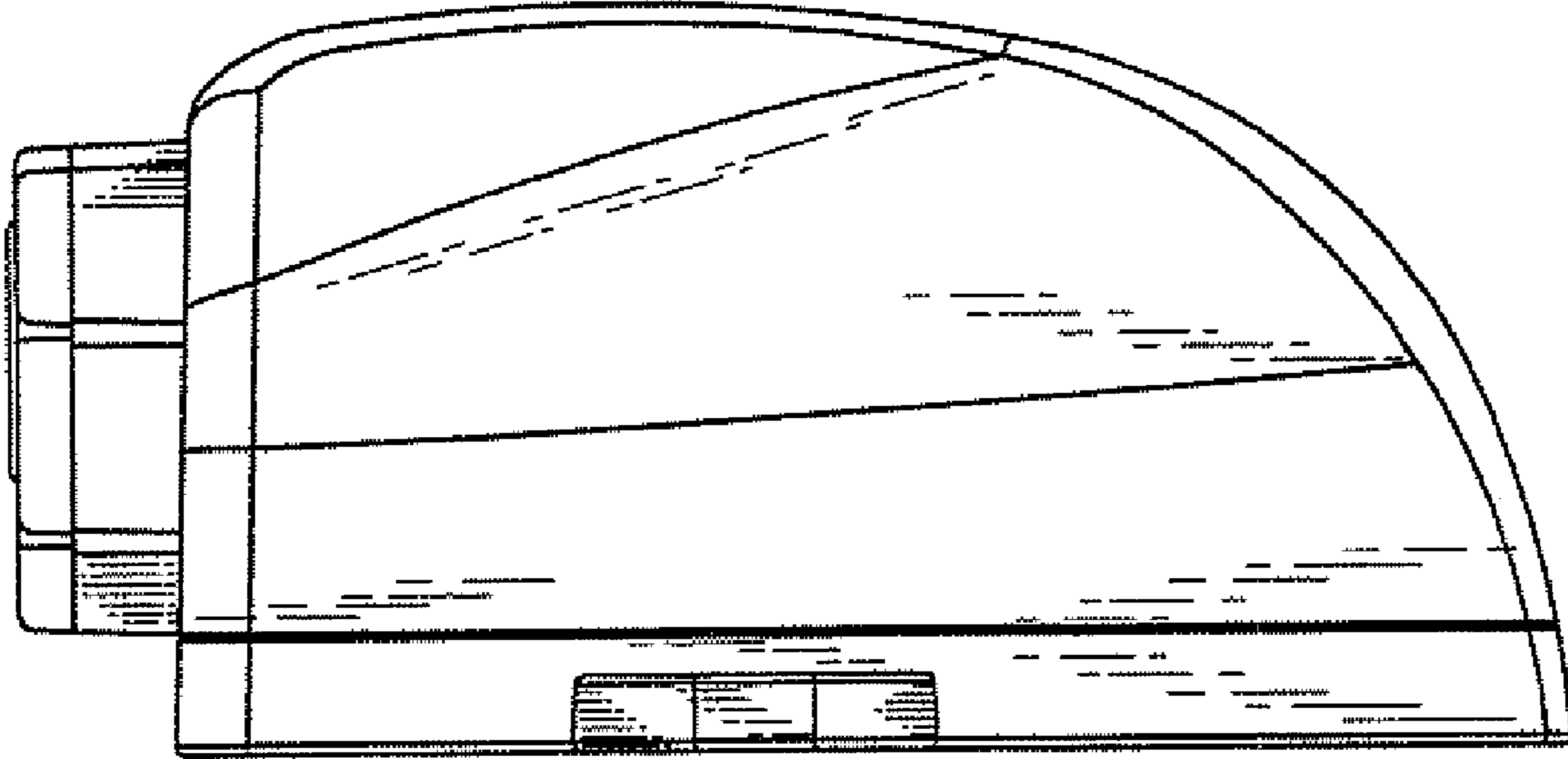


Fig. 5

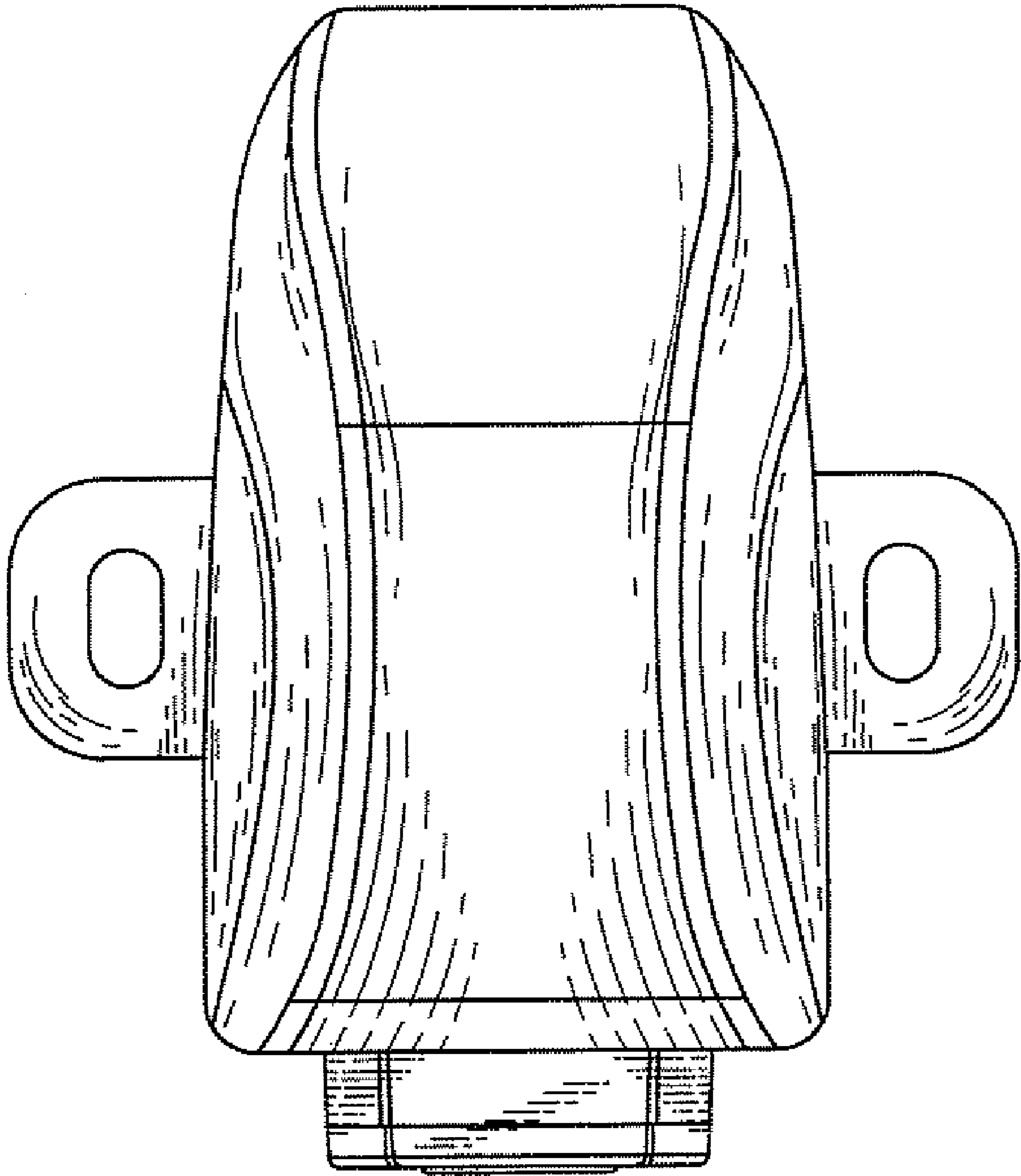


Fig. 6

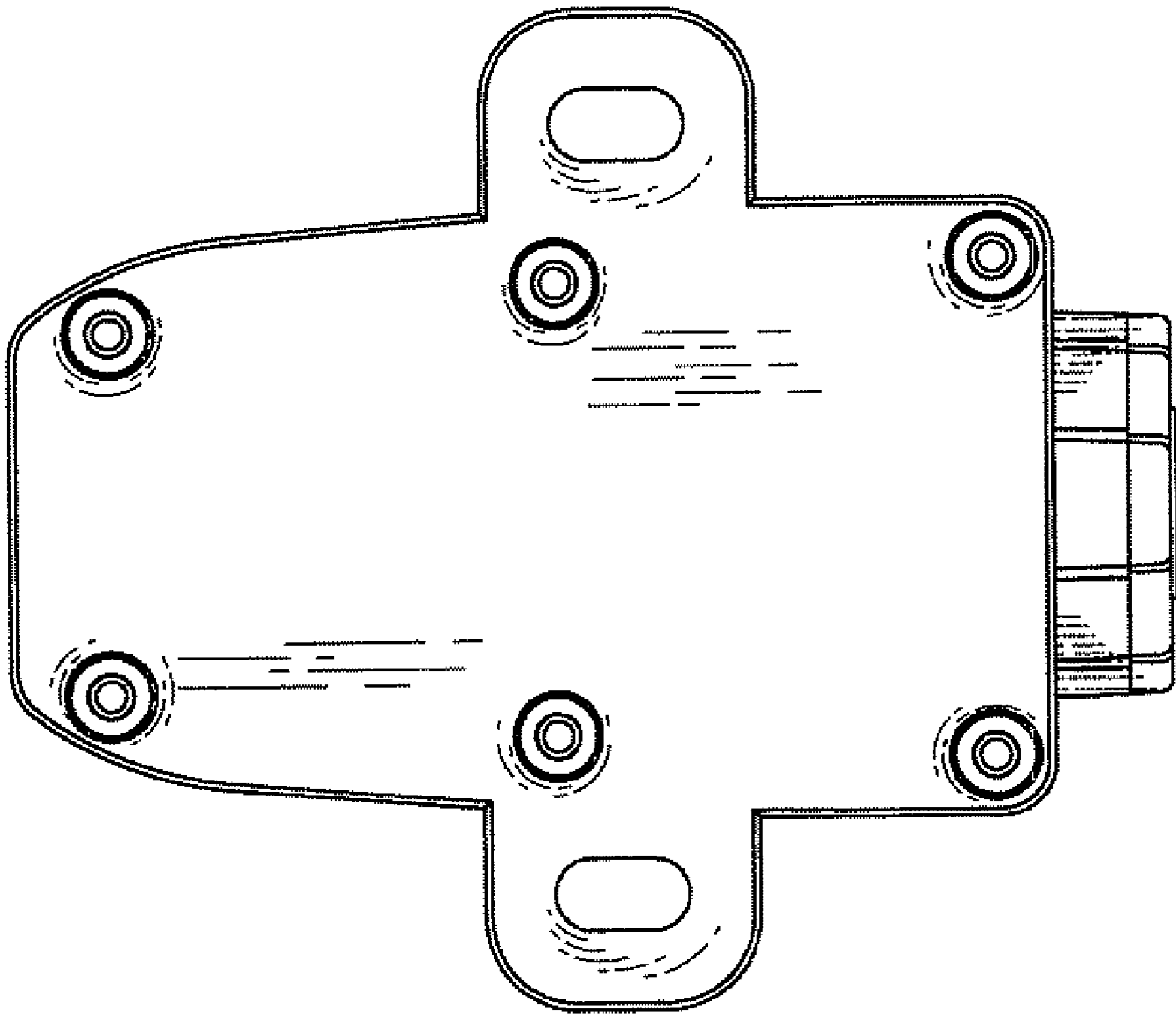


Fig. 7