



US00D628917S

(12) **United States Design Patent**  
**Tian**

(10) **Patent No.:** **US D628,917 S**

(45) **Date of Patent:** **\*\* Dec. 14, 2010**

(54) **VOLTAGE TESTER**

(75) Inventor: **Jun Tian**, Shenzhen (CN)

(73) Assignee: **Dongguan Huayi Mastech Co., Ltd**,  
Yuliangwei Industrial Area, Qingxi  
Town, Dongguan (CN)

(\*\*) Term: **14 Years**

(21) Appl. No.: **29/362,797**

(22) Filed: **Jun. 1, 2010**

(51) **LOC (9) Cl.** ..... **10-04**

(52) **U.S. Cl.** ..... **D10/78**

(58) **Field of Classification Search** ..... D10/78;  
324/72.5, 556, 133, 149, 503, 543, 555, 66,  
324/72, 754, 115, 141, 114, 145, 156, 508;  
340/635, 687, 654; 379/21; 73/866.5  
See application file for complete search history.

(56) **References Cited**

**U.S. PATENT DOCUMENTS**

D257,014 S \* 9/1980 Cressman et al. .... D10/78  
D416,819 S \* 11/1999 Luebke et al. .... D10/78

6,137,285 A \* 10/2000 Walsten et al. .... 324/133  
D476,246 S \* 6/2003 Kuramoto et al. .... D10/78  
D481,963 S \* 11/2003 Onuma et al. .... D10/78  
7,208,932 B1 \* 4/2007 Chun ..... 324/72.5

\* cited by examiner

*Primary Examiner*—Antoine D Davis

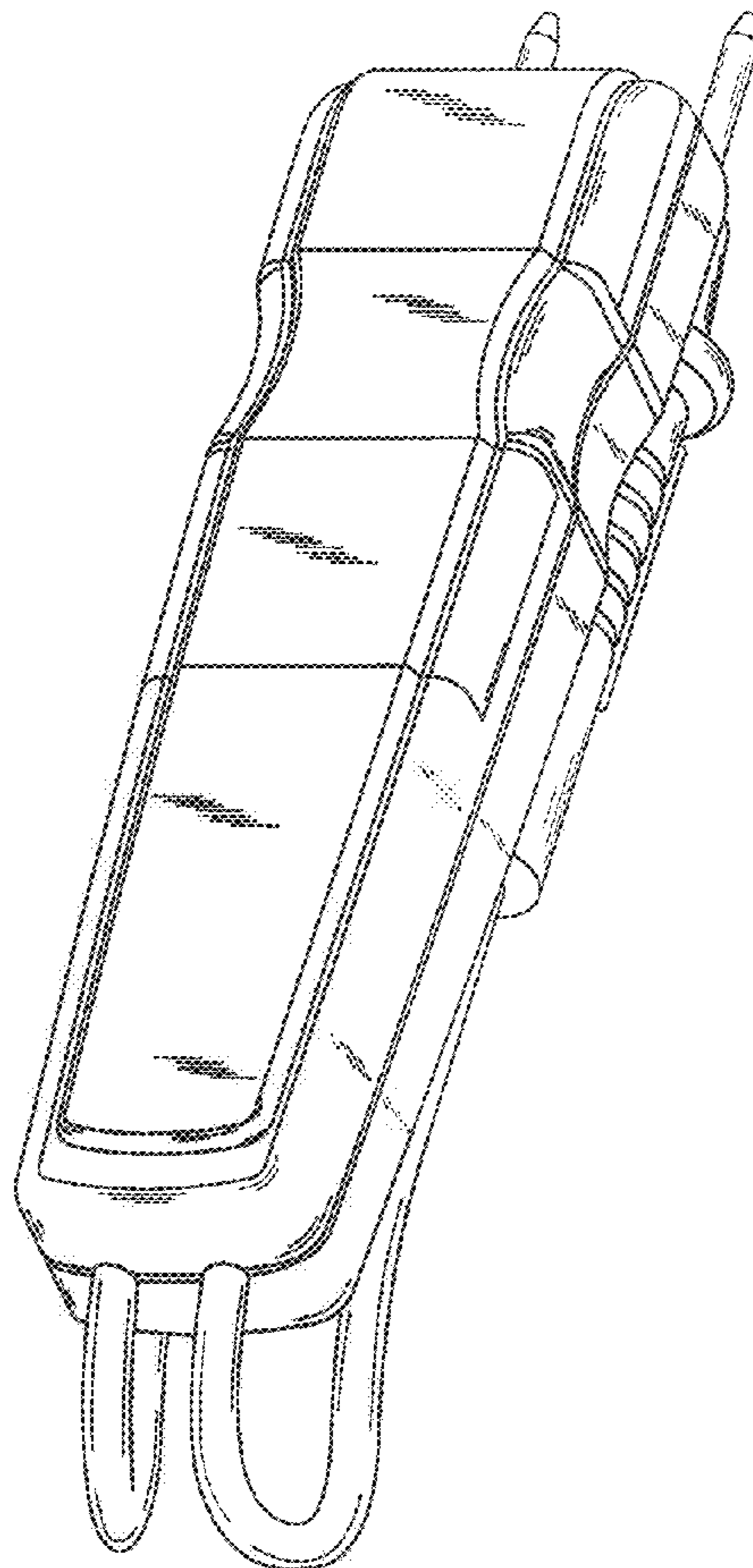
(57) **CLAIM**

The ornamental design for a voltage tester, as shown and described.

**DESCRIPTION**

FIG. 1 is a perspective view of a voltage tester showing my new design;  
FIG. 2 is a front elevational view thereof;  
FIG. 3 is a rear elevational view thereof;  
FIG. 4 is a left side elevational view thereof;  
FIG. 5 is a right side elevational view thereof;  
FIG. 6 is a top plan view thereof; and,  
FIG. 7 is a bottom plan view thereof.

**1 Claim, 6 Drawing Sheets**



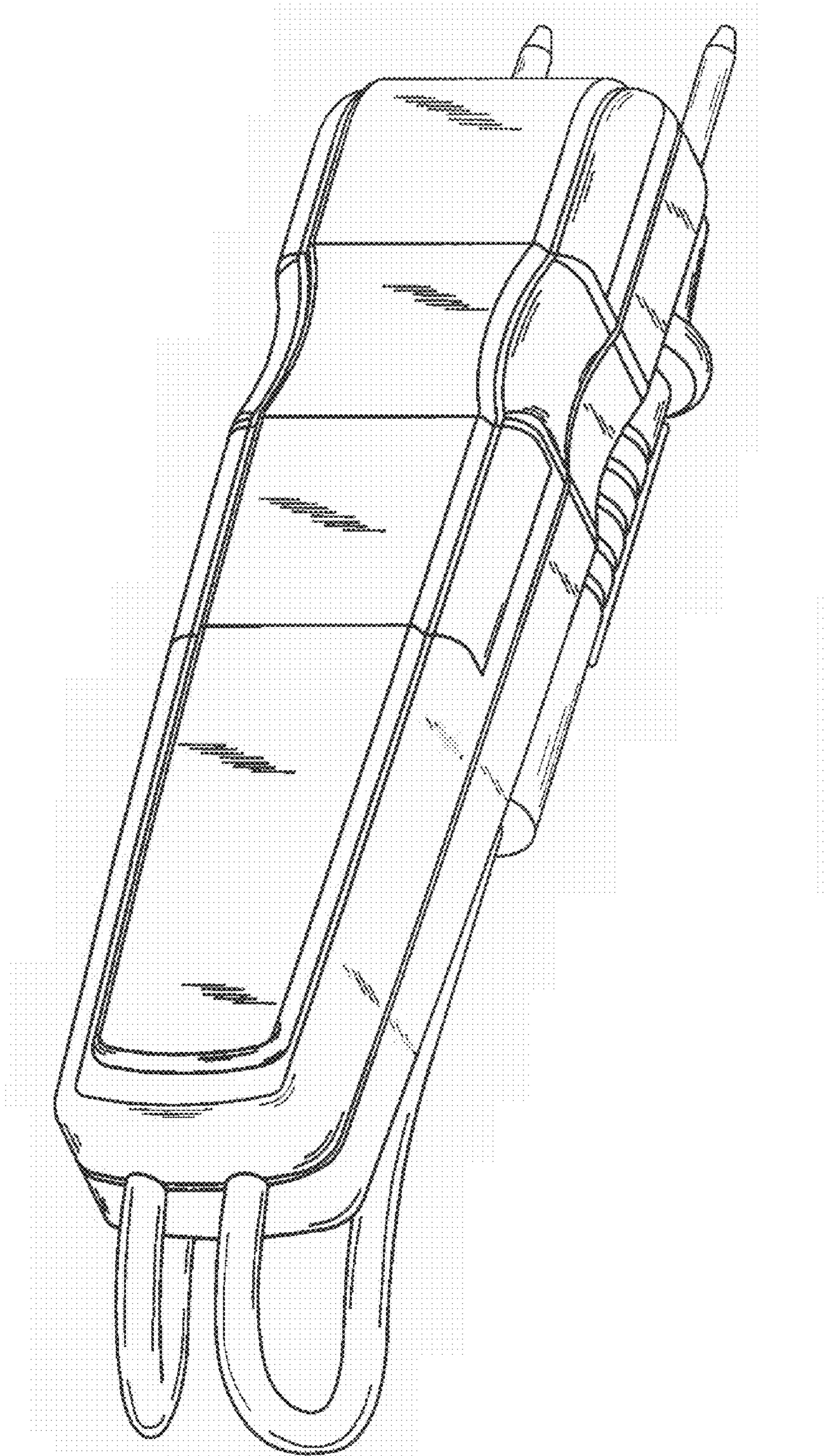


Fig. 1

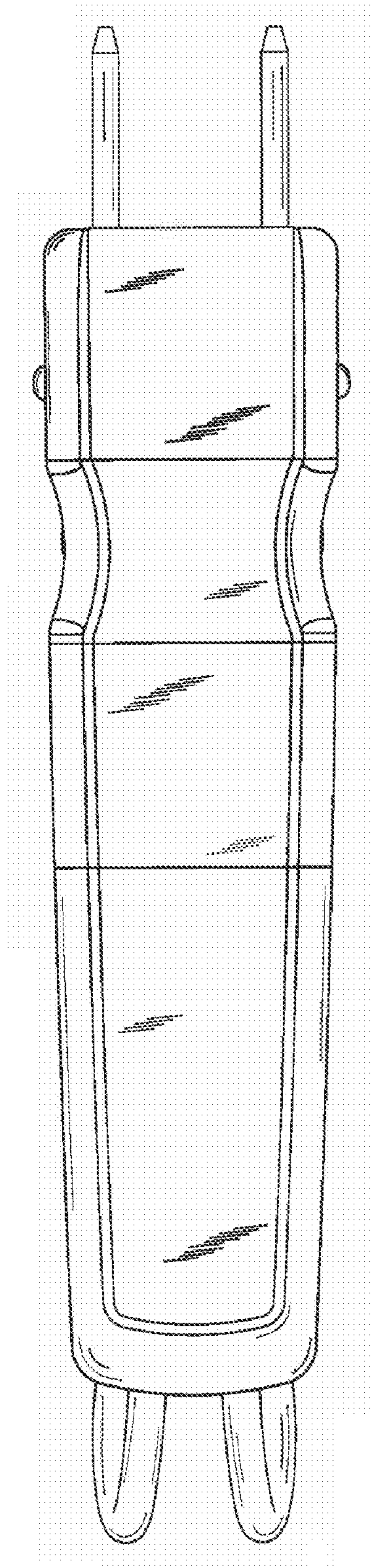


Fig.2



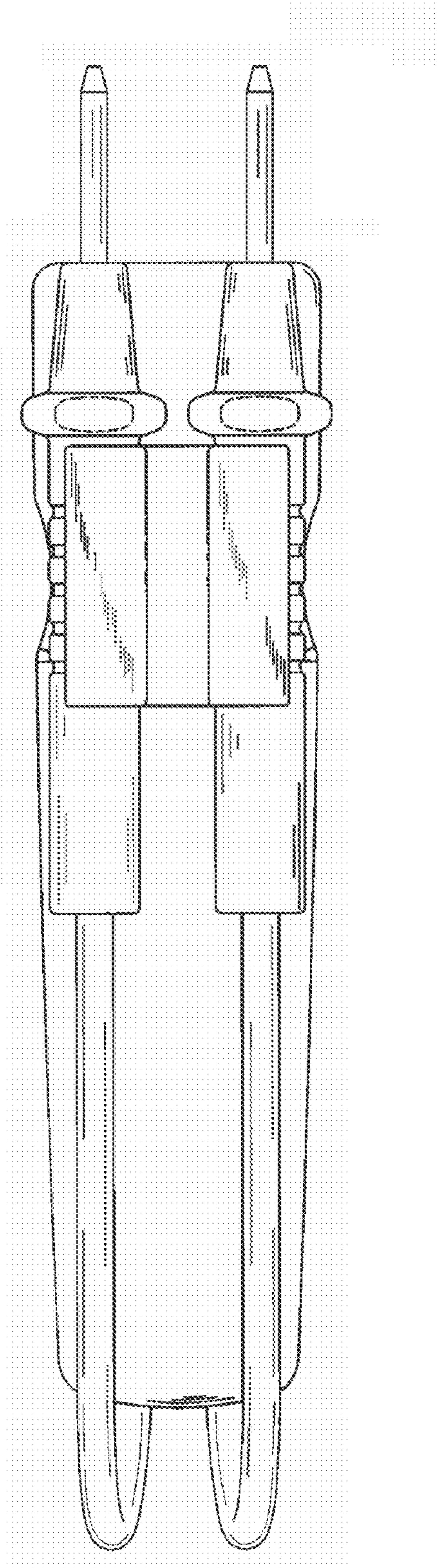


Fig.3

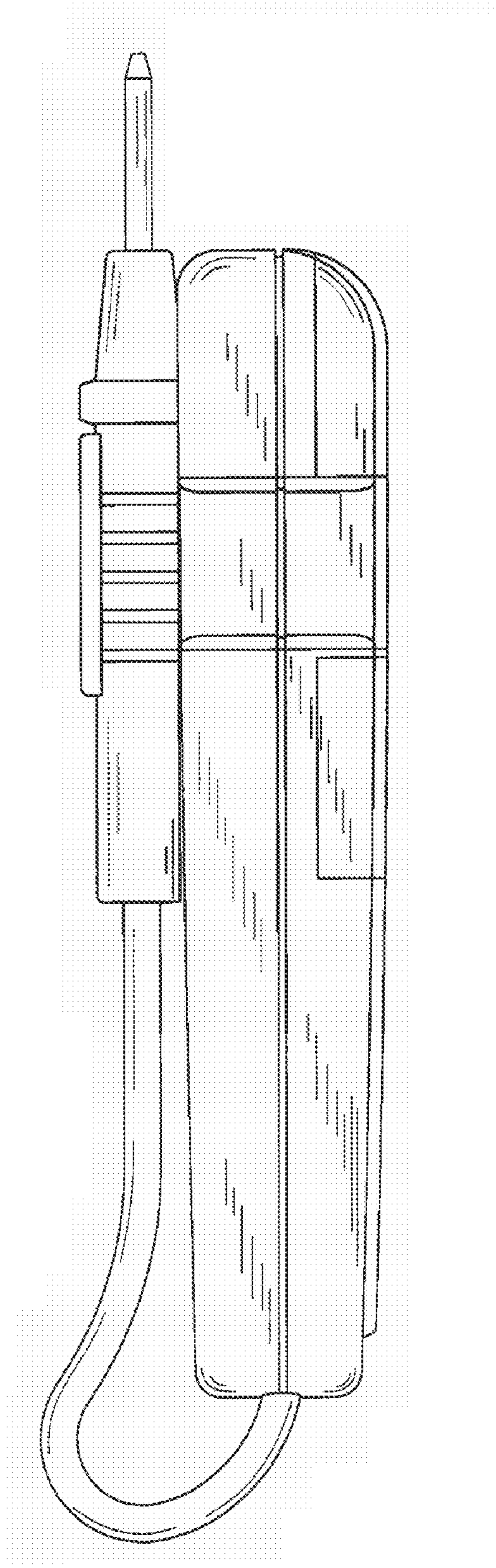


Fig.4

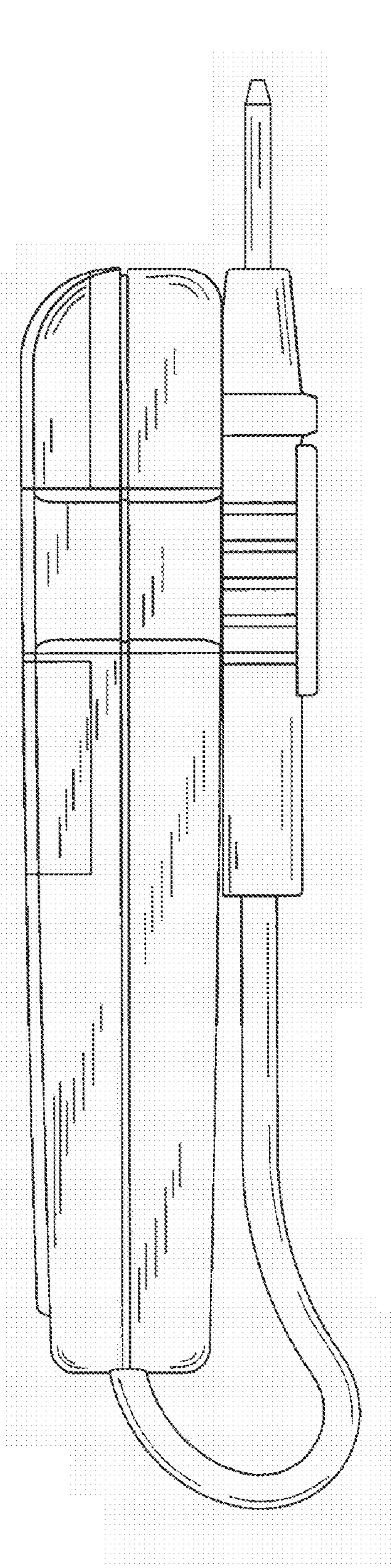


Fig.5

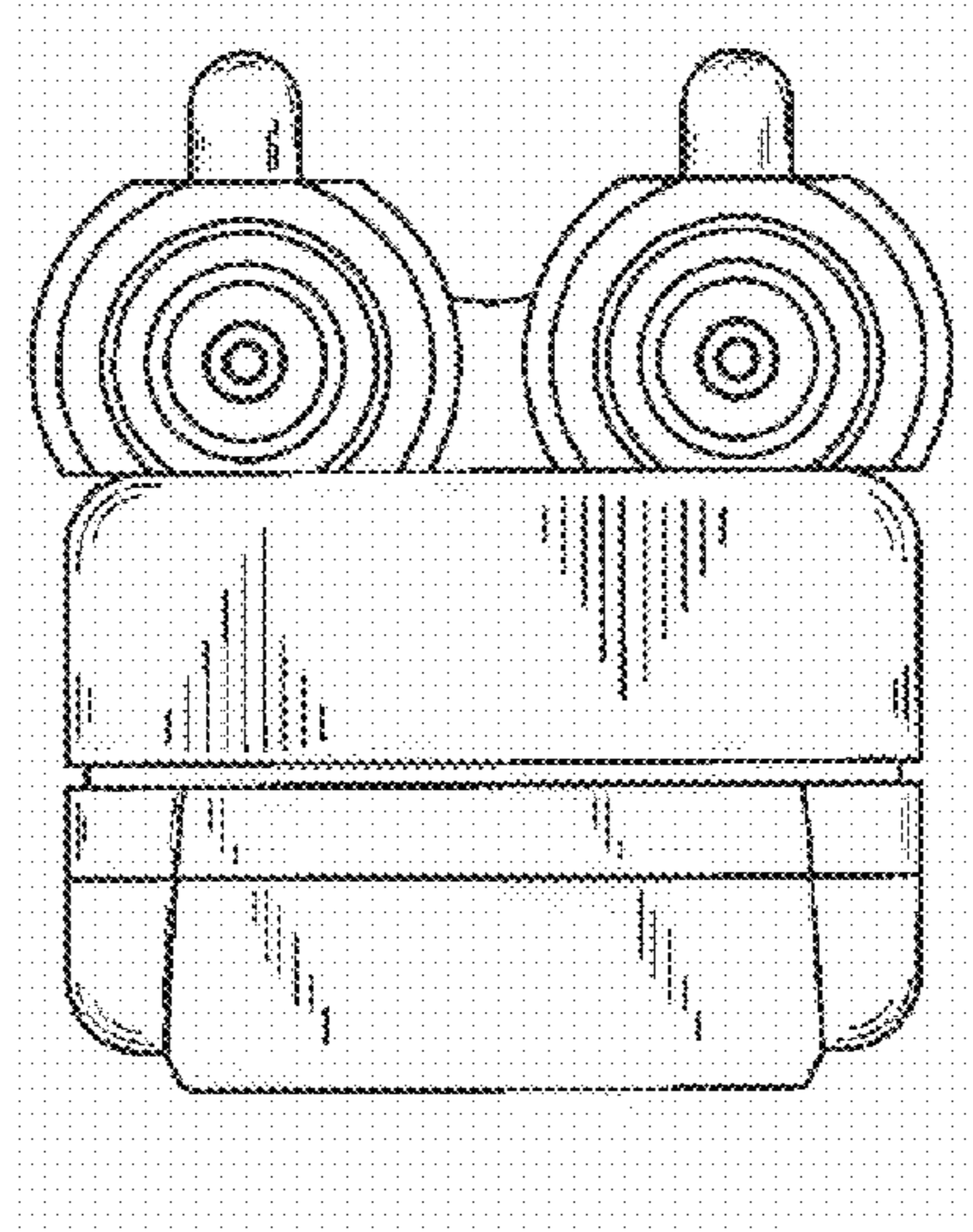


Fig. 6

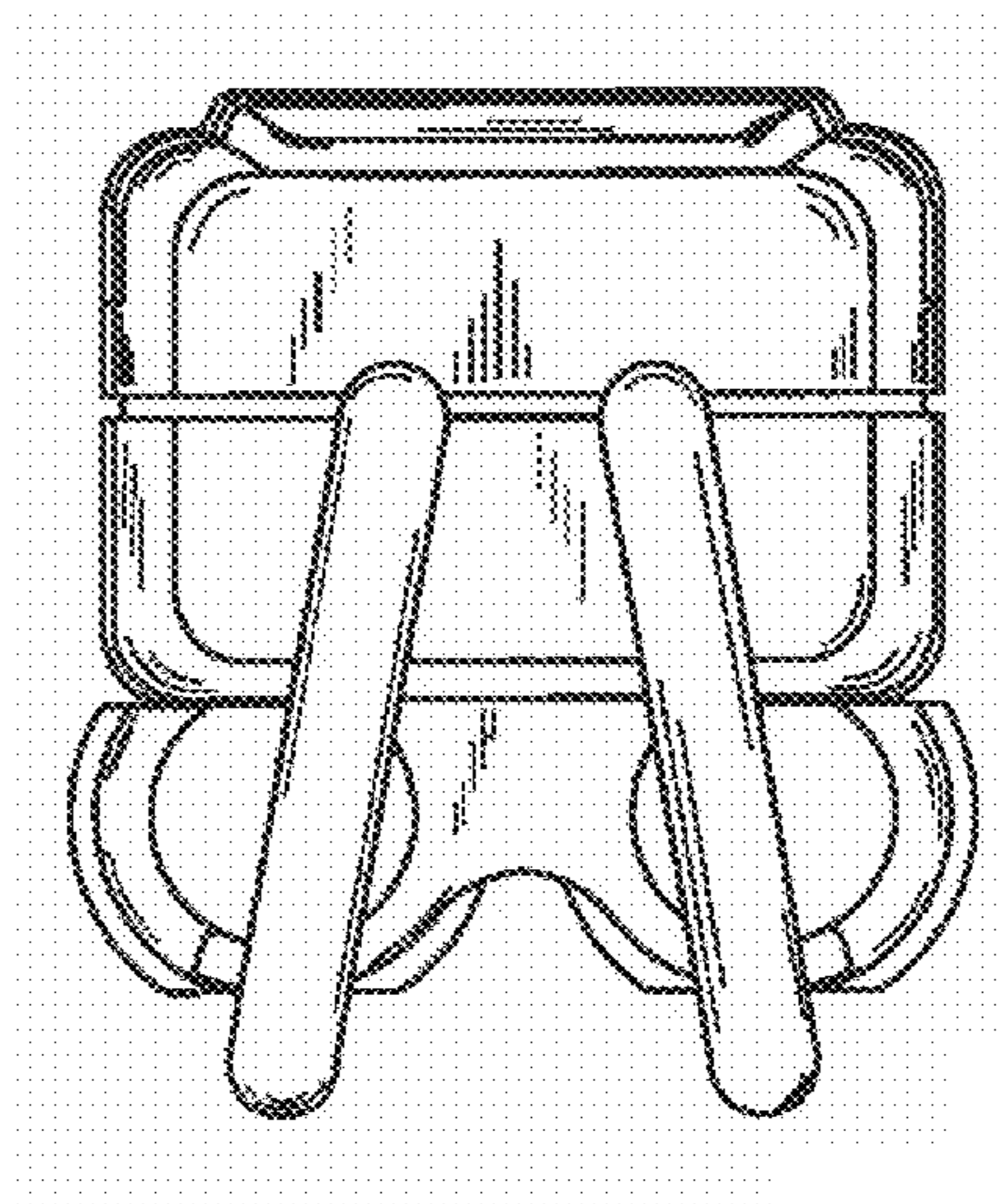


Fig. 7