

US00D628916S

(12) **United States Design Patent**  
**Tian**

(10) **Patent No.:** **US D628,916 S**

(45) **Date of Patent:** **\*\* Dec. 14, 2010**

(54) **GFCI TESTER**

(75) Inventor: **Jun Tian**, Shenzhen (CN)

(73) Assignee: **Dongguan Huayi Mastech Co., Ltd.**,  
Yufiangwei Industrial Area, Qingxi  
Town, Dongguan (CN)

(\*\*) Term: **14 Years**

(21) Appl. No.: **29/362,794**

(22) Filed: **Jun. 1, 2010**

(51) **LOC (9) Cl.** ..... **10-04**

(52) **U.S. Cl.** ..... **D10/78**

(58) **Field of Classification Search** ..... D10/78;  
324/72.5, 556, 133, 149, 503, 543, 555, 66,  
324/72, 754, 115, 141, 114, 145, 156, 508,  
324/509, 536, 424; 340/635, 687, 654; 379/21;  
73/866.5; 361/42; 356/73.1

See application file for complete search history.

(56) **References Cited**

**U.S. PATENT DOCUMENTS**

D314,925 S \* 2/1991 Murphy ..... D10/78  
5,331,283 A \* 7/1994 Sheldon ..... 324/508  
5,570,176 A \* 10/1996 Noel ..... 356/73.1  
D396,013 S \* 7/1998 Luebke ..... D10/78  
D400,113 S \* 10/1998 Aalto ..... D10/78

6,734,680 B1 \* 5/2004 Conard ..... 324/509  
D511,468 S \* 11/2005 Aromin ..... D10/78  
7,068,038 B2 \* 6/2006 Mason et al. .... 324/508  
7,091,723 B2 \* 8/2006 Simmons et al. .... 324/508  
7,170,375 B2 \* 1/2007 Chen et al. .... 335/177  
7,173,428 B2 \* 2/2007 Hurwicz ..... 324/424  
7,199,587 B2 \* 4/2007 Hurwicz ..... 324/424  
D542,680 S \* 5/2007 Fugman ..... D10/78

\* cited by examiner

*Primary Examiner*—Antoine D Davis

(57) **CLAIM**

The ornamental design for a GFCI tester, as shown and described.

**DESCRIPTION**

FIG. 1 is a perspective view of a GFCI tester showing my new design;

FIG. 2 is a front elevational view thereof;

FIG. 3 is a rear elevational view thereof;

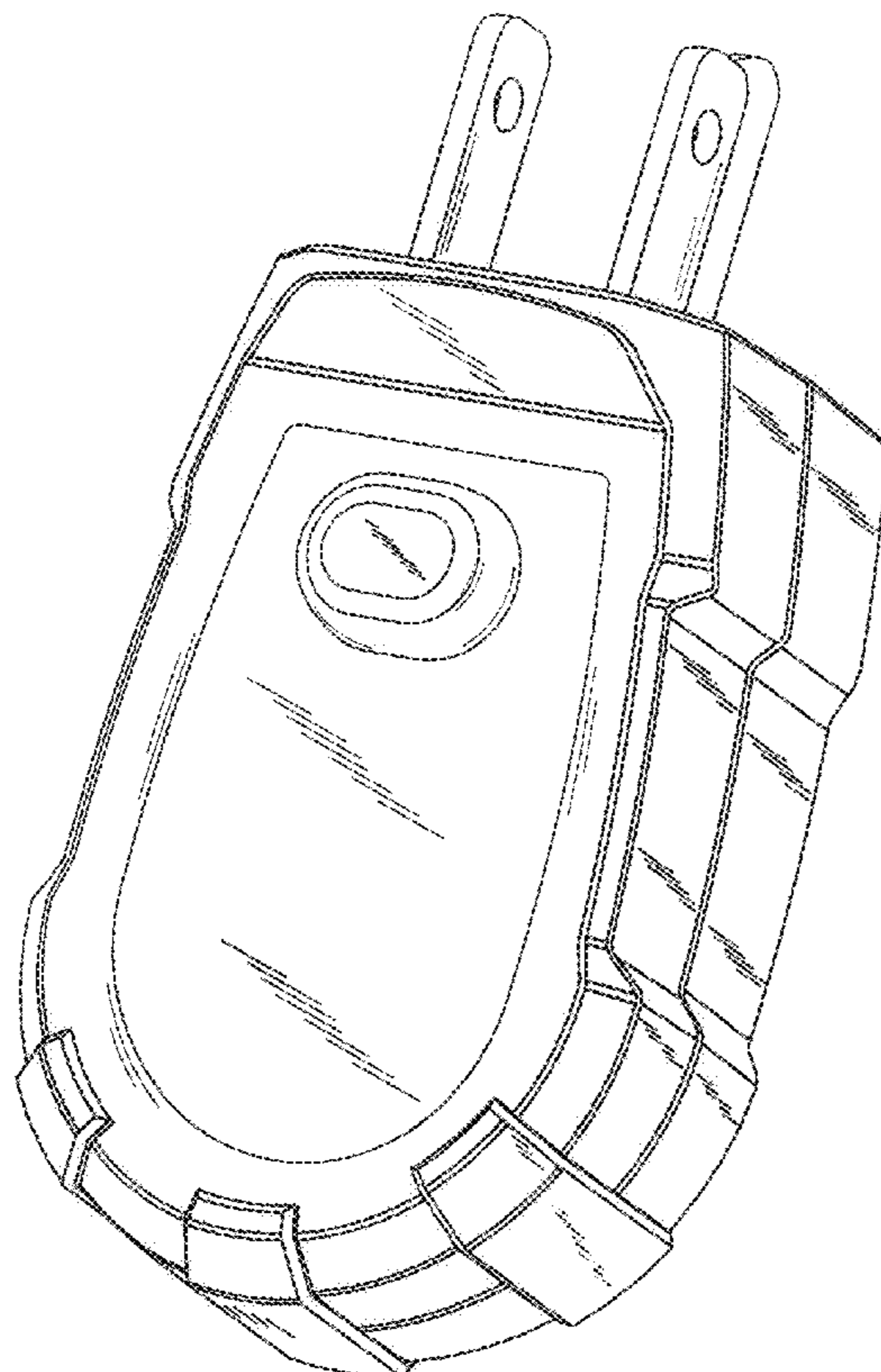
FIG. 4 is a left side elevational view thereof;

FIG. 5 is a right side elevational view thereof;

FIG. 6 is a top plan view thereof; and,

FIG. 7 is a bottom plan view thereof.

**1 Claim, 6 Drawing Sheets**



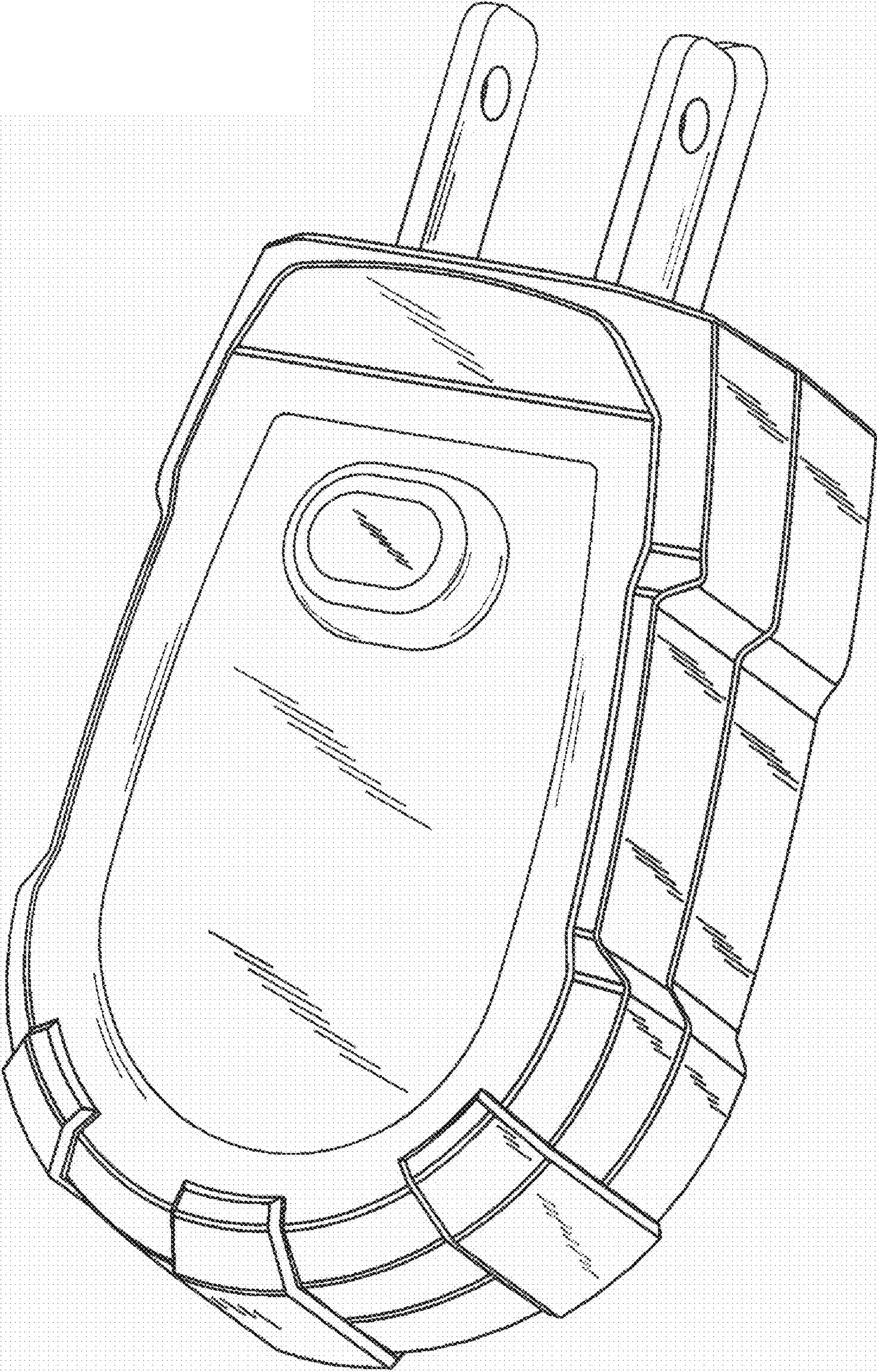


Fig. 1

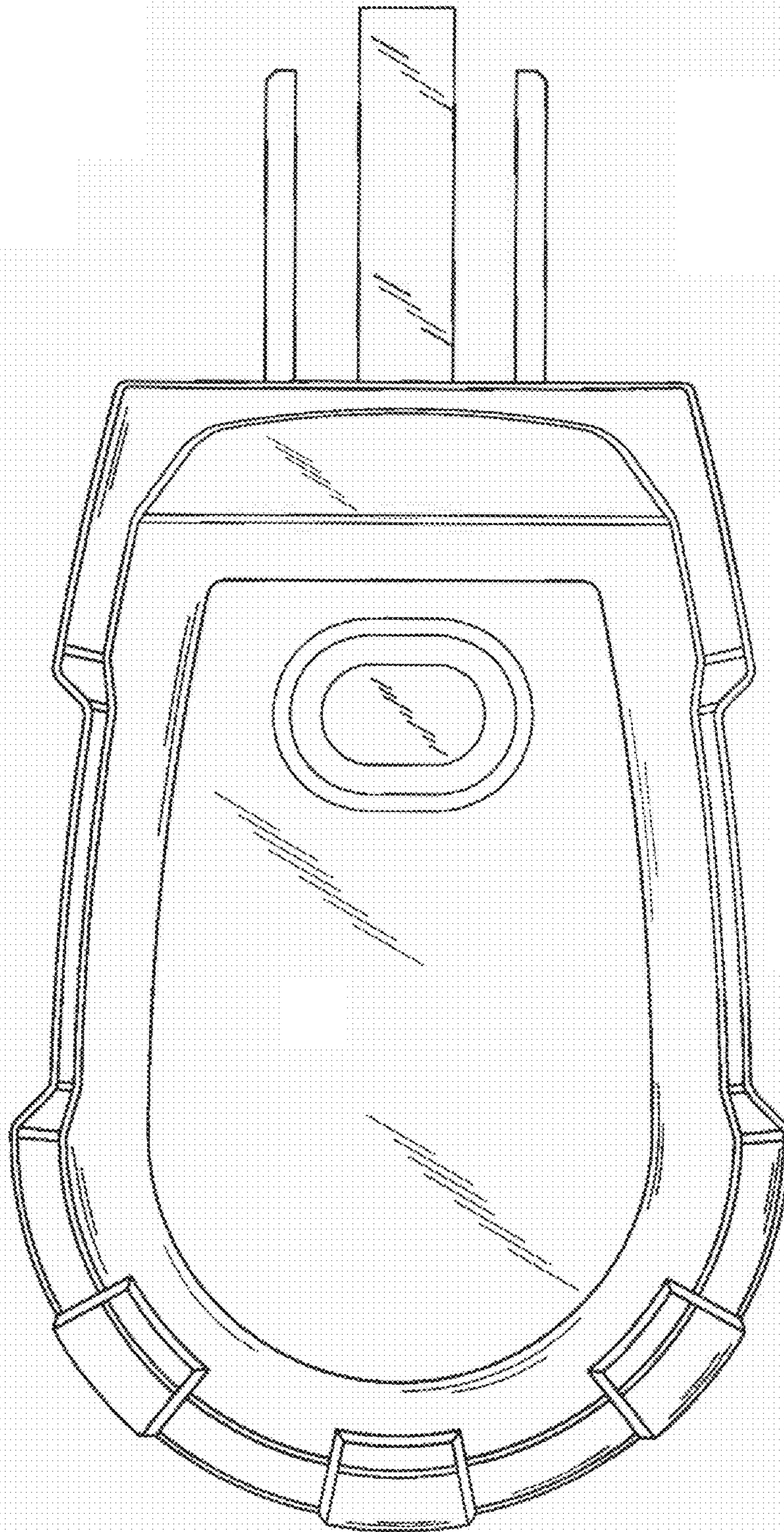


Fig.2

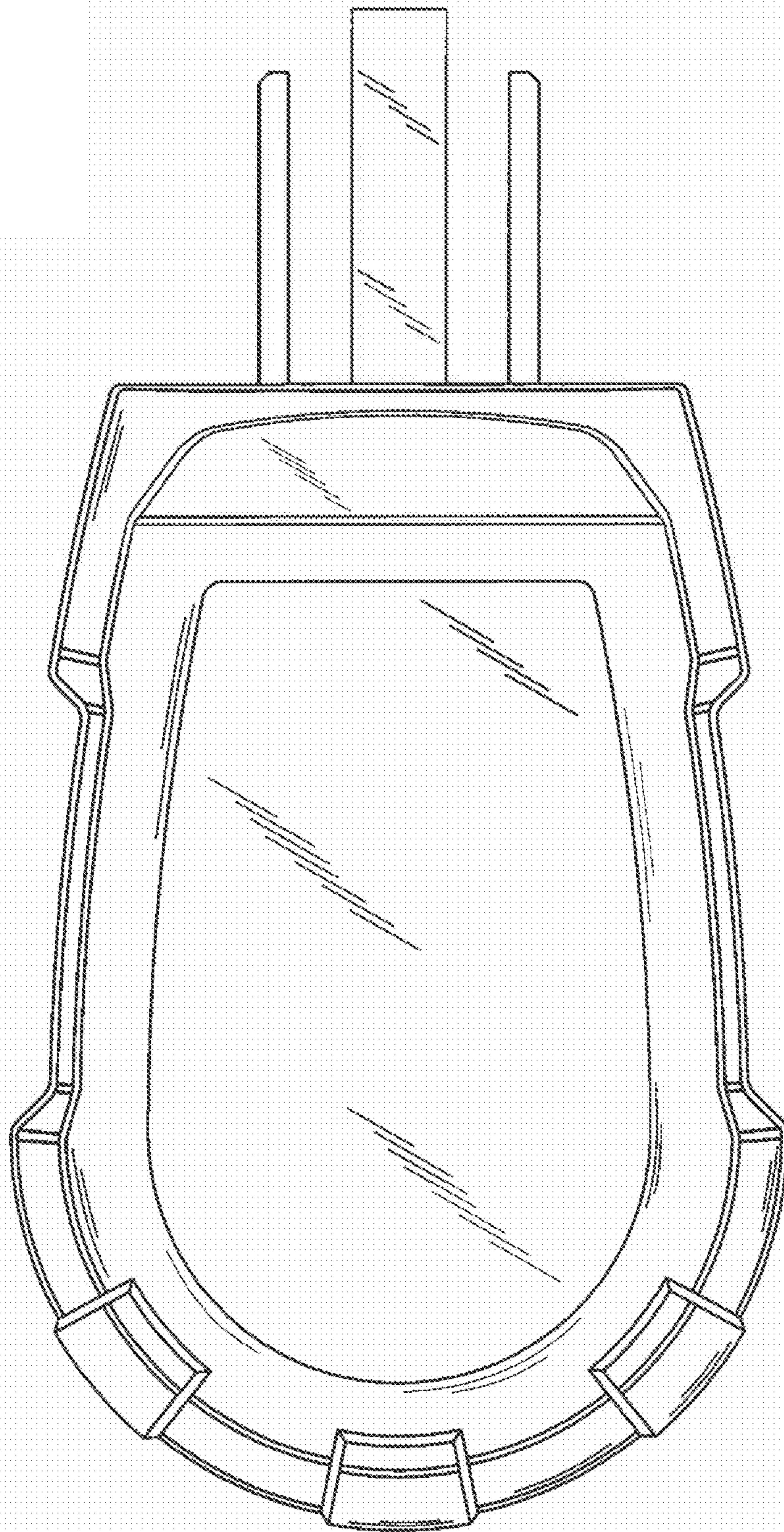


Fig.3

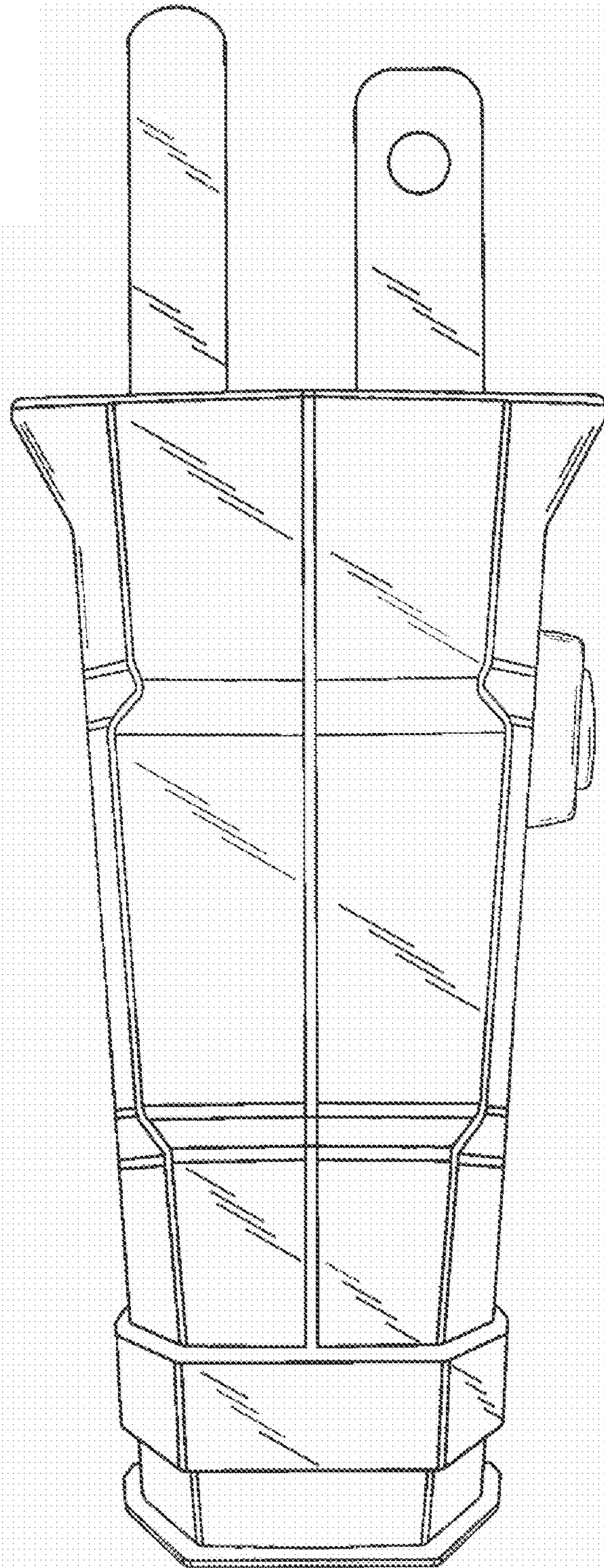


Fig.4

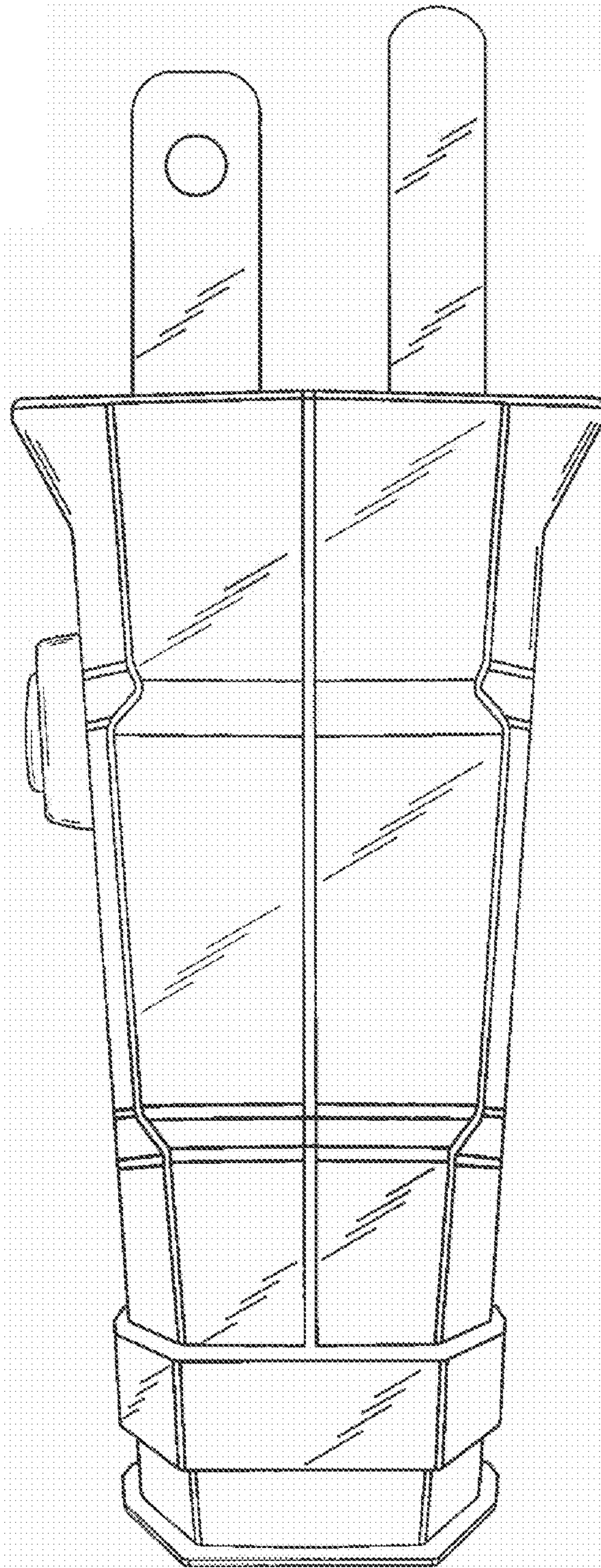


Fig.5

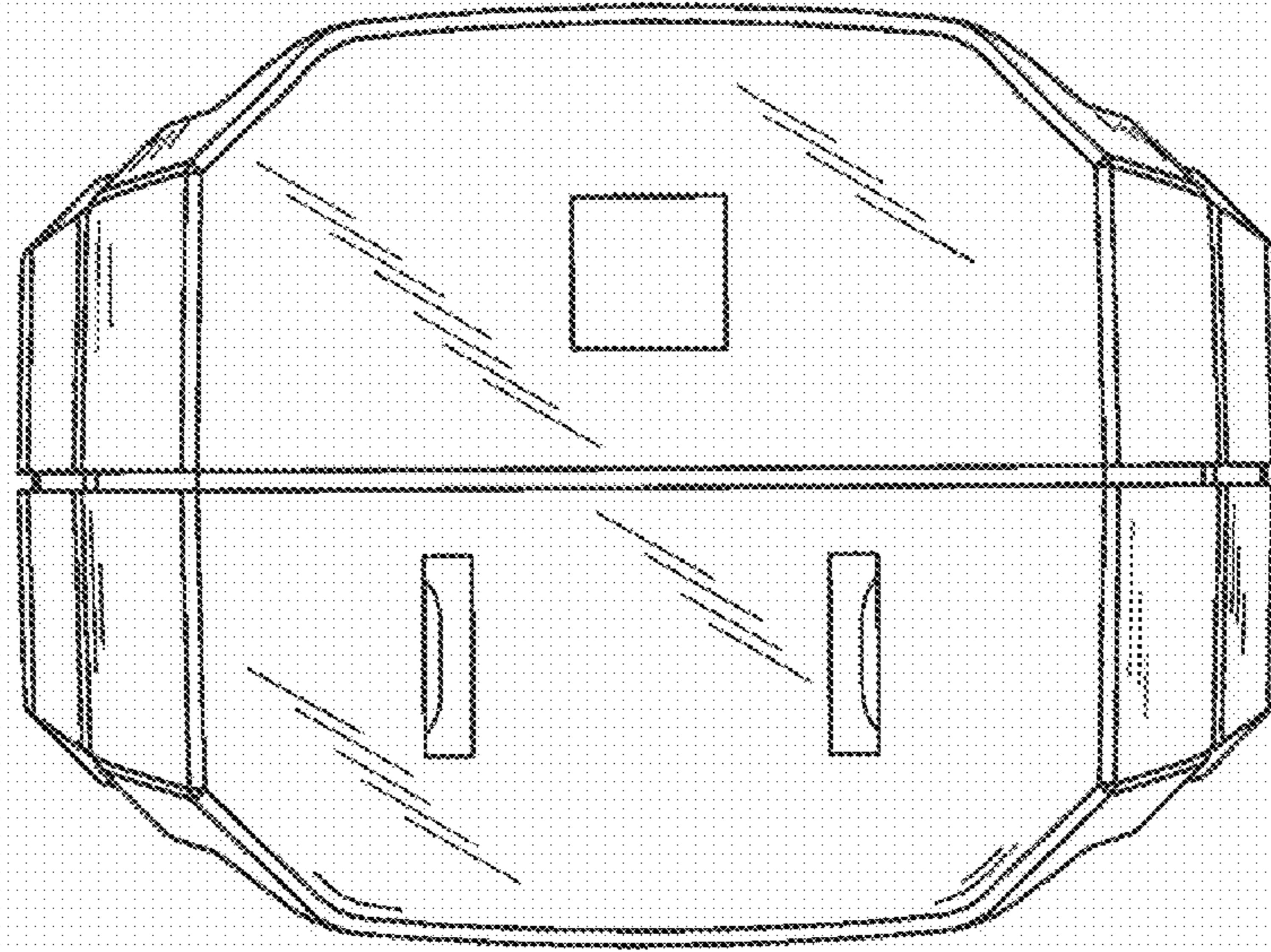


Fig. 6

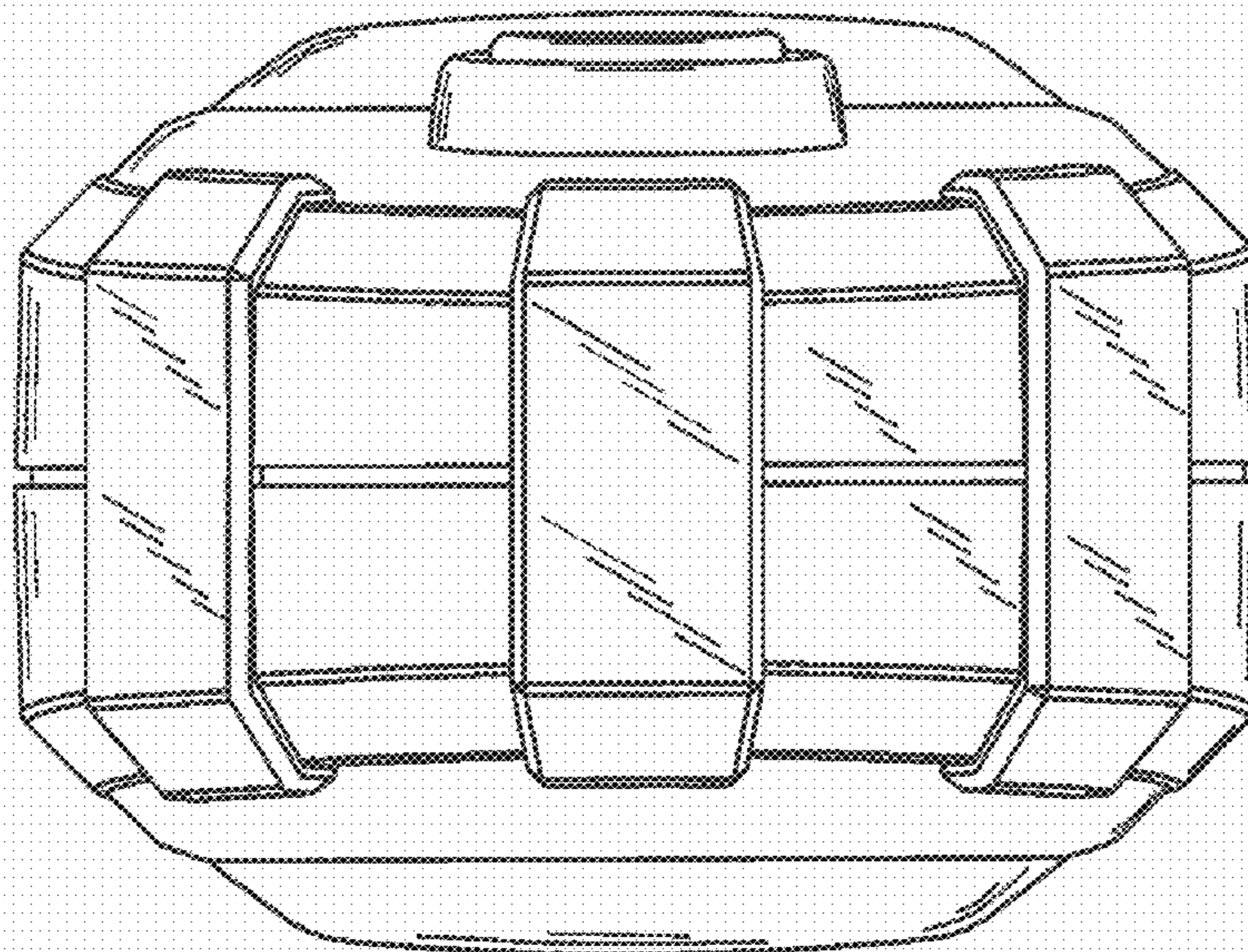


Fig. 7