



US00D628915S

(12) **United States Design Patent**
Faulkner et al.

(10) **Patent No.:** **US D628,915 S**

(45) **Date of Patent:** **** Dec. 14, 2010**

(54) **ANALYTE TEST METER**

(76) Inventors: **Allan James Faulkner**, 9 High Street, Avoch, Ross-shire (GB) IV9 8PT; **Simon Salter**, 12/5 Sandport, Kings Landing, Leith, Edinburgh (GB) EH6 6PL; **David Colin Crosland**, 128 Charterhall Road, Edinburgh (GB) EH 9 3HW; **Martin Crofton**, 3/24 Portland Gardens, Edinburgh (GB) EH6 6NY; **Nick Foley**, 6 Afton Place, Edinburgh (GB) EH 5 3RB

(**) Term: **14 Years**

(21) Appl. No.: **29/343,126**

(22) Filed: **Sep. 8, 2009**

(51) **LOC (9) Cl.** **10-04**

(52) **U.S. Cl.** **D10/78; D10/81**

(58) **Field of Classification Search** D10/78, D10/81; D24/107, 186, 232; 324/72.5, 110, 324/114-115, 149, 151 A, 158 F, 156; 340/653, 340/660; 439/482; 422/63-83, 99, 100, 422/58, 61, 82.05; 423/43; 436/164, 166, 436/169, 605; 356/246

See application file for complete search history.

(56) **References Cited**

U.S. PATENT DOCUMENTS

7,181,350 B2 * 2/2007 Oberding et al. 702/62

D546,218 S * 7/2007 Grasso et al. D10/78

D585,135 S * 1/2009 Mori et al. D24/169

D586,466 S * 2/2009 Smith et al. D24/186

D586,678 S * 2/2009 Schvetz D10/81

D612,274 S * 3/2010 Heidemann et al. D10/78

* cited by examiner

Primary Examiner—Antoine D Davis

(57) **CLAIM**

We claim the ornamental design for an analyte test meter, as shown and described.

DESCRIPTION

FIG. 1 is a top, front and right side perspective view of an analyte test meter;

FIG. 2 is a top, rear and left side perspective view thereof;

FIG. 3 is a top plan view thereof;

FIG. 4 is a front elevational view thereof;

FIG. 5 is a rear elevational view thereof; and

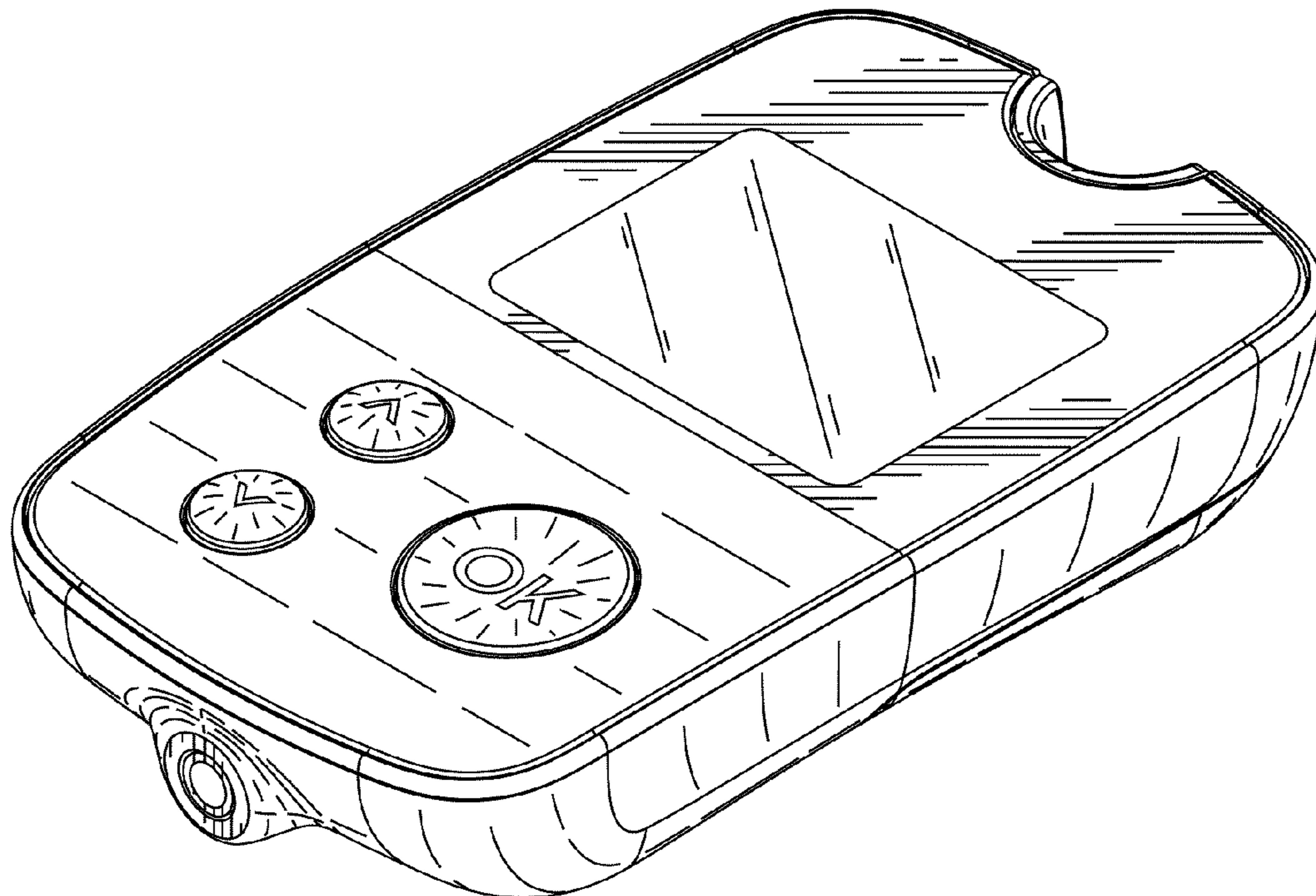
FIG. 6 is a right side elevational view thereof;

FIG. 7 is a left side elevational view thereof; and,

FIG. 8 is a bottom plan view thereof.

The broken line showing of structural features is included for the purpose of illustrating non-claimed subject matter and forms no part of the claimed design.

1 Claim, 5 Drawing Sheets



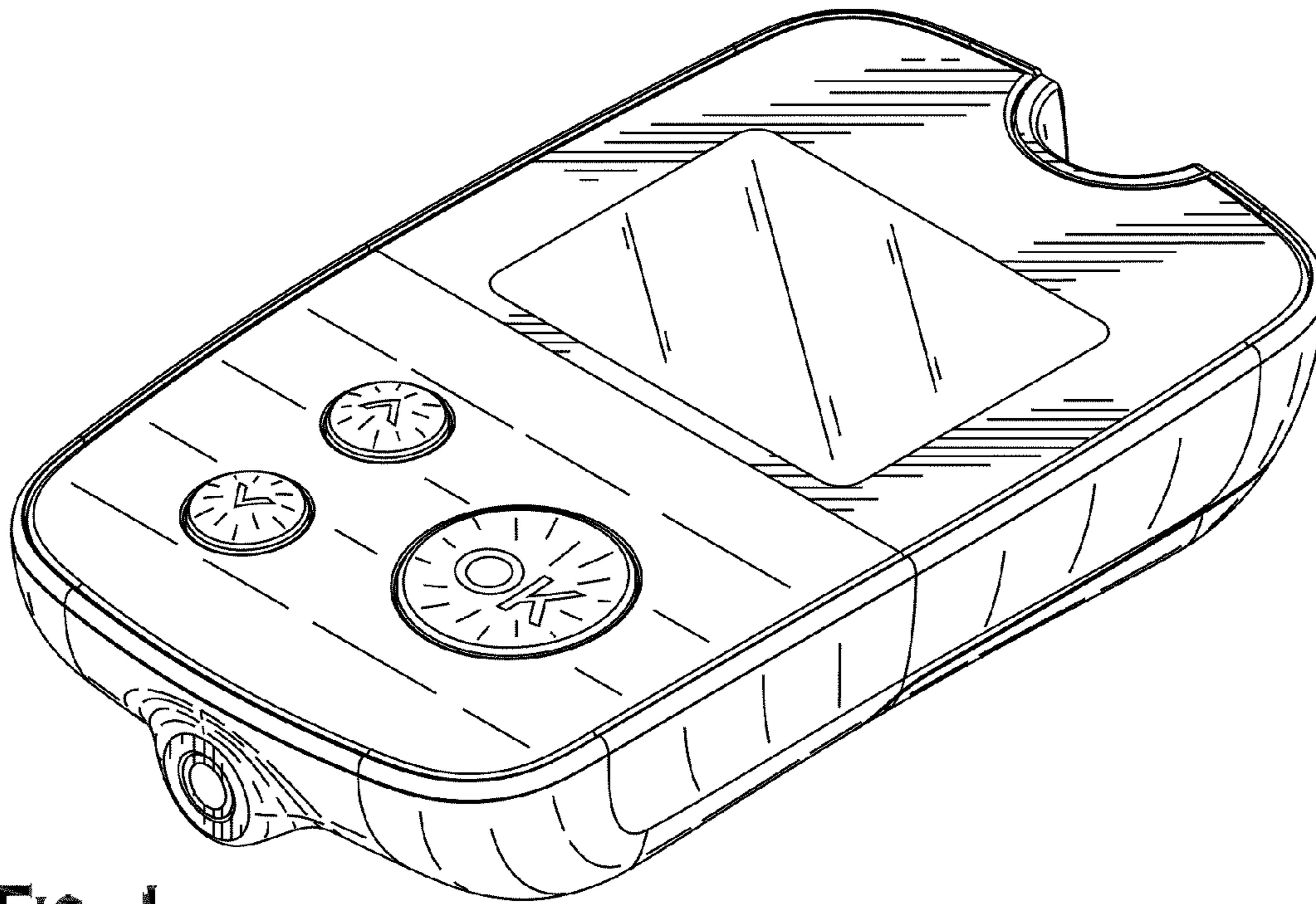


FIG. 1

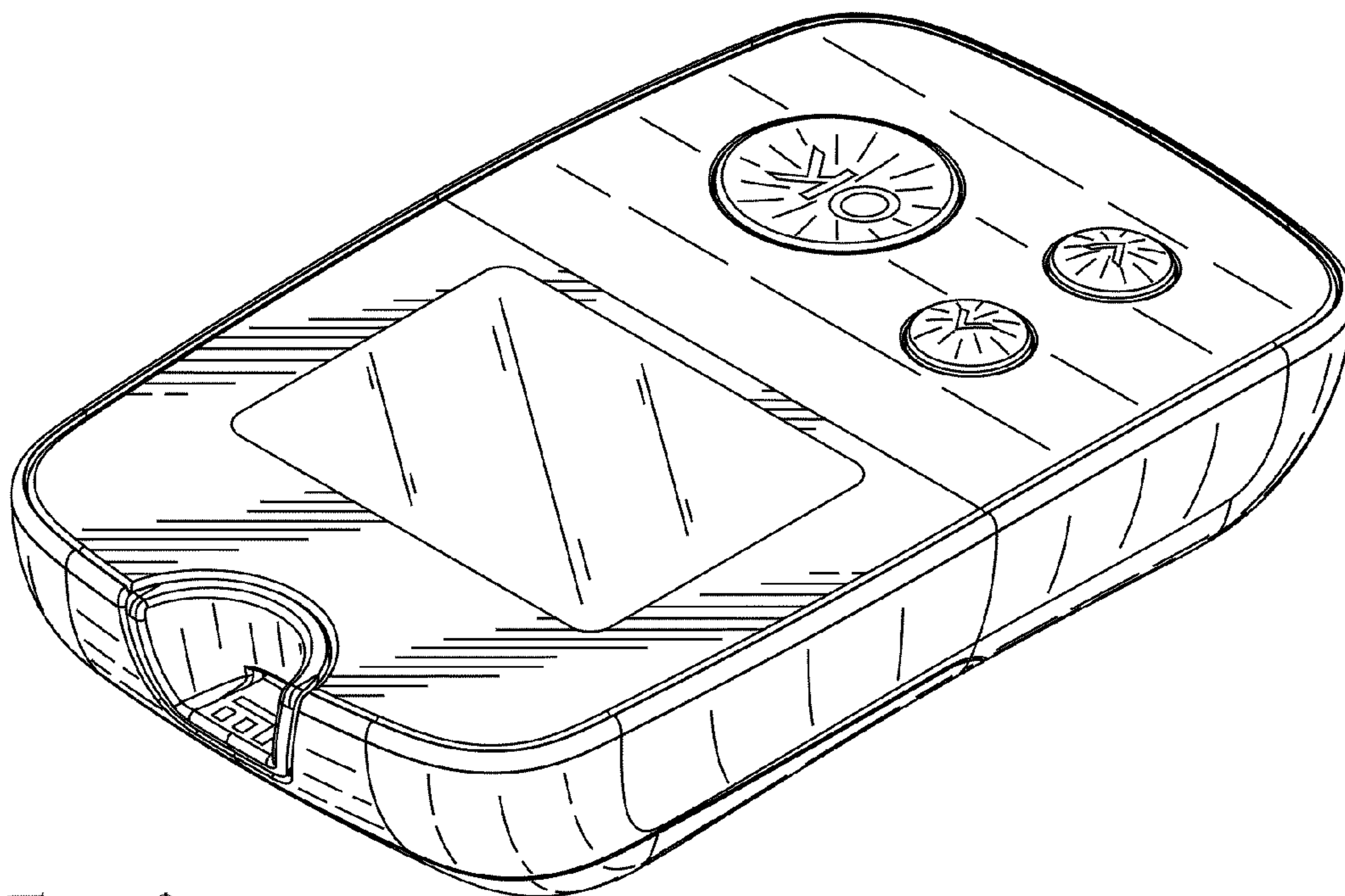


FIG. 2

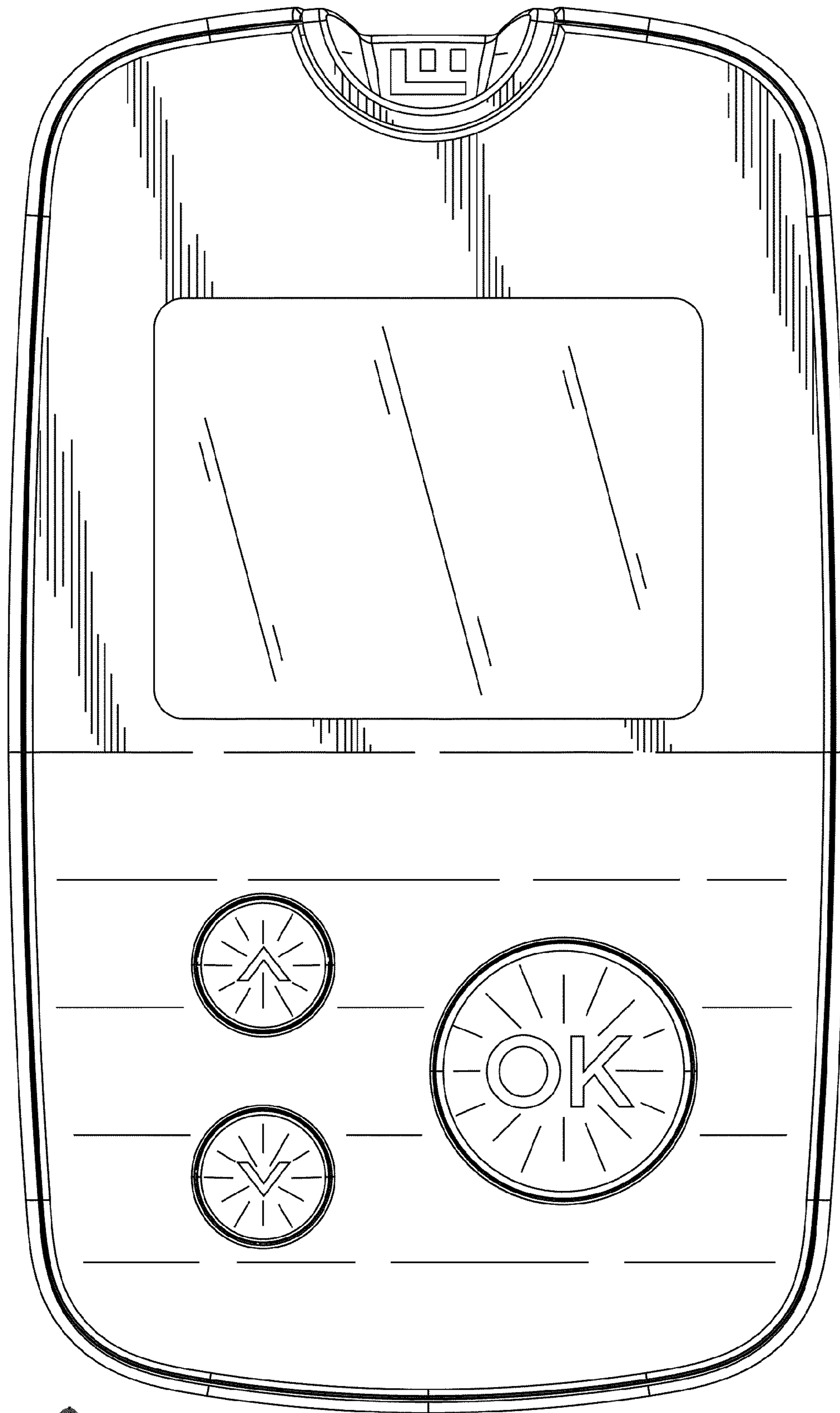


FIG. 3

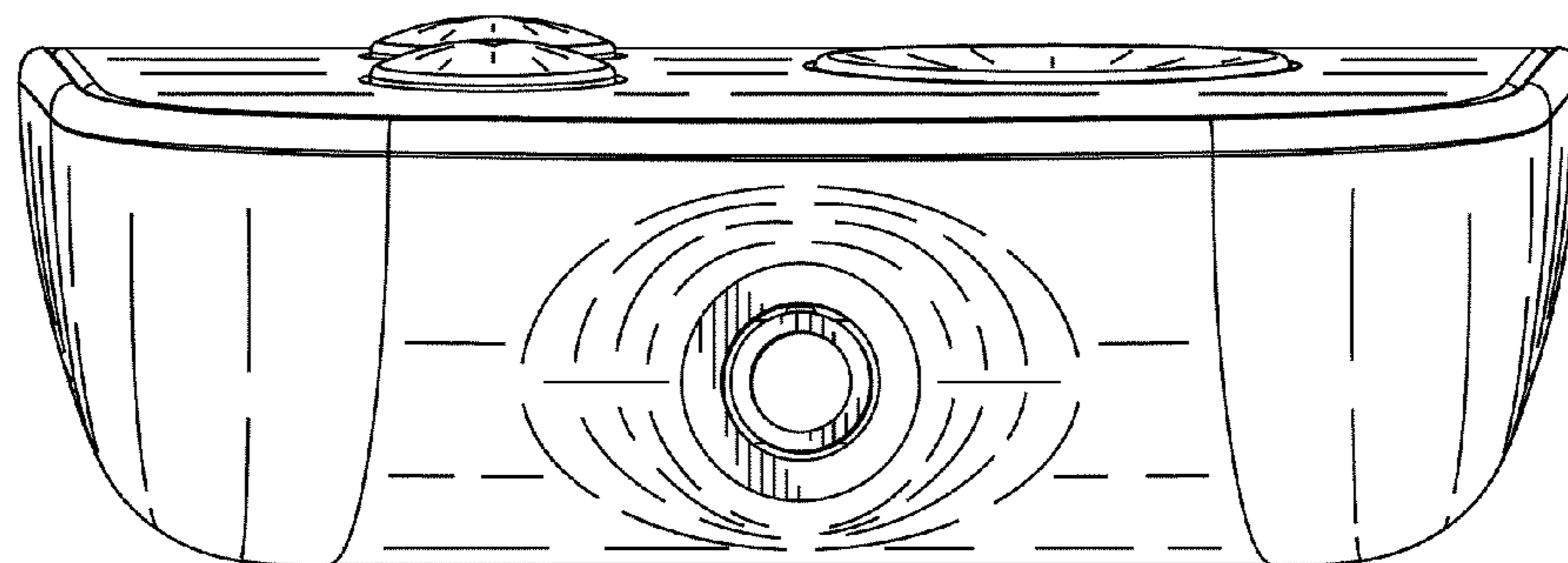


FIG. 4

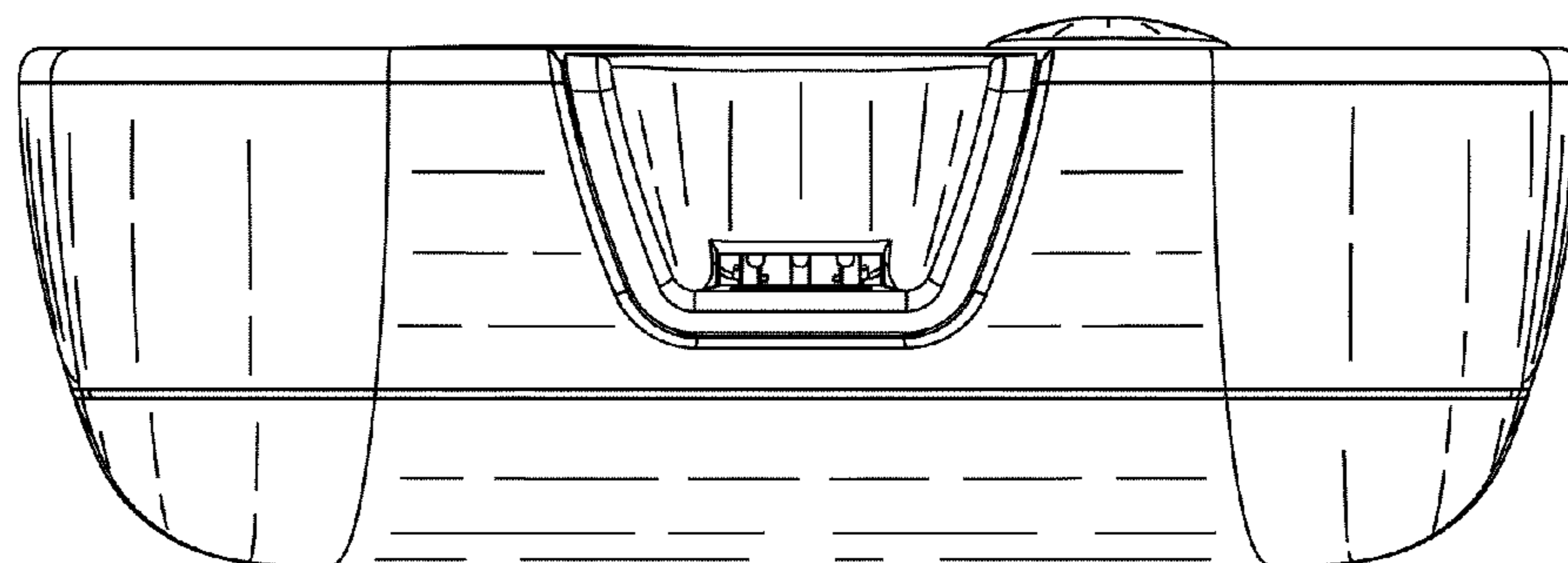


FIG. 5

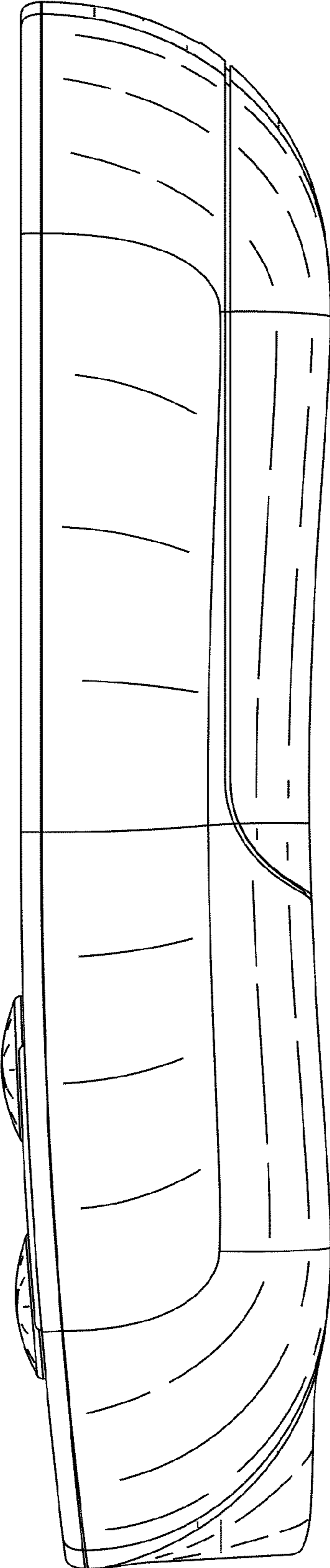


FIG. 6

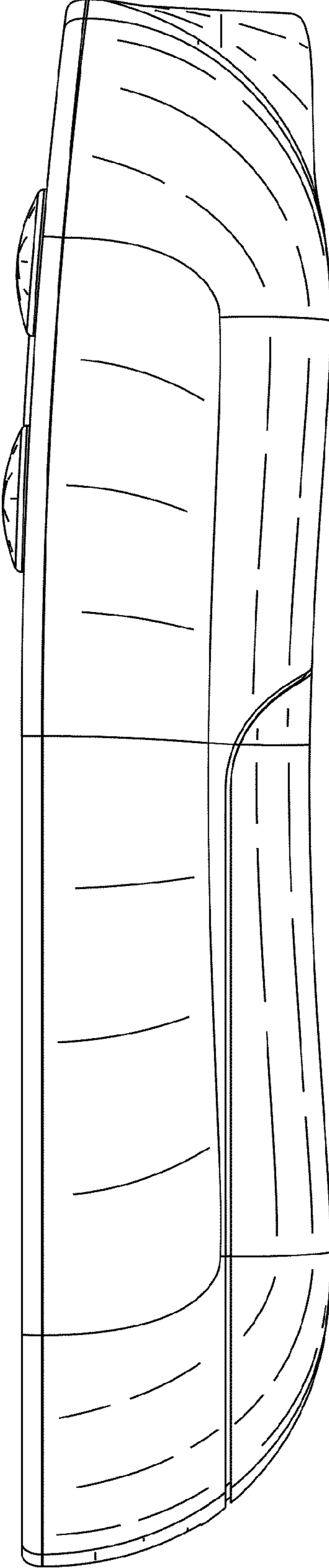


FIG. 7

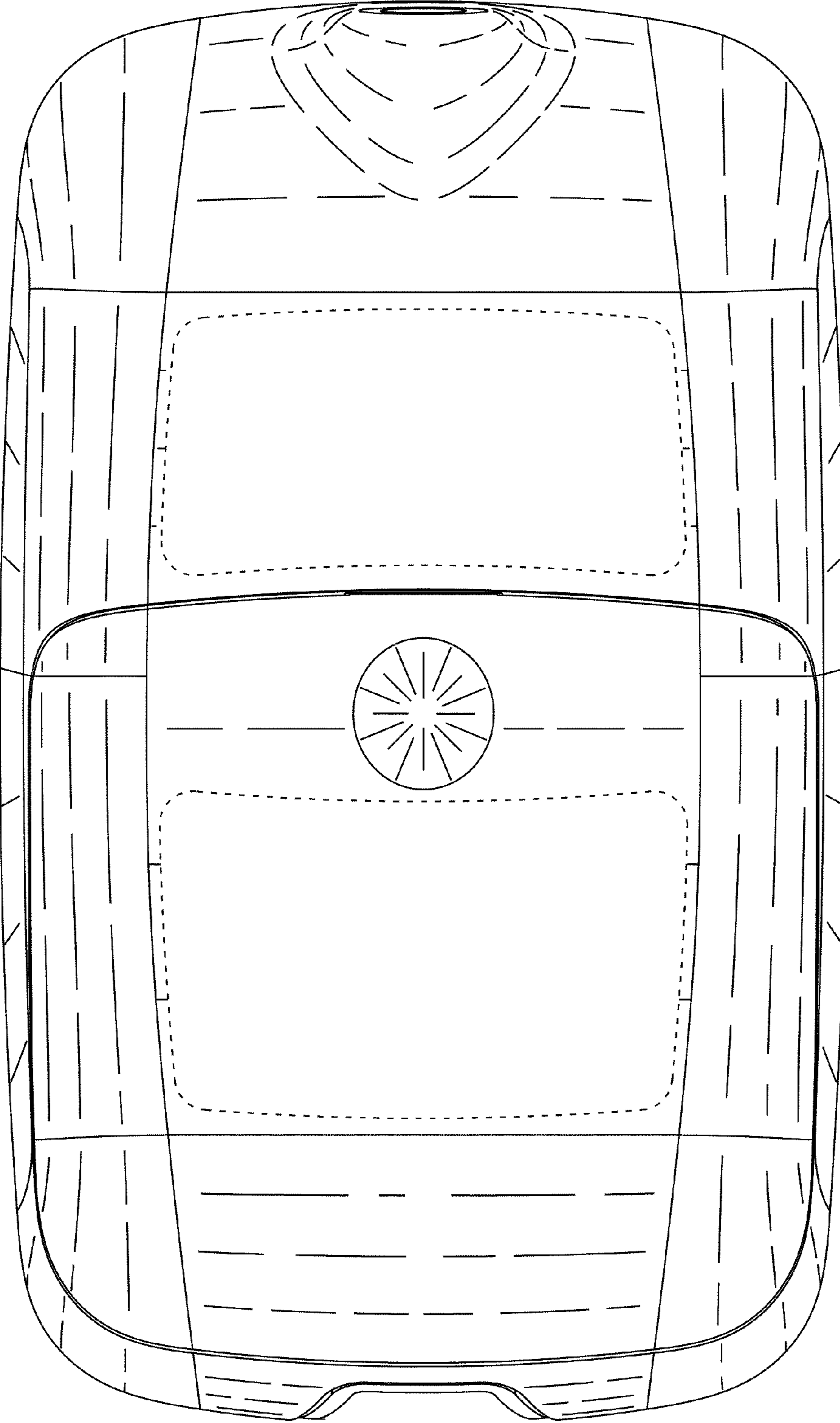


FIG. 8