



US00D628914S

(12) **United States Design Patent**
Kim et al.

(10) **Patent No.:** **US D628,914 S**

(45) **Date of Patent:** **** Dec. 14, 2010**

(54) **TORPEDO LEVEL**

(75) Inventors: **Charles Dunn Kim**, Raleigh, NC (US);
Steven Wayne Bockmann, Raleigh, NC
(US); **John R. Christianson**, Waukesha,
WI (US)

(73) Assignee: **Empire Level Mfg. Corp.**, Mukwonago,
WI (US)

(**) Term: **14 Years**

(21) Appl. No.: **29/346,826**

(22) Filed: **Nov. 6, 2009**

(51) **LOC (9) Cl.** **10-04**

(52) **U.S. Cl.** **D10/69**

(58) **Field of Classification Search** D10/69;
33/365, 366.11-366.27, 367-391

See application file for complete search history.

(56) **References Cited**

U.S. PATENT DOCUMENTS

D598,308 S * 8/2009 Gofer D10/69

D598,309 S * 8/2009 Gofer D10/69

* cited by examiner

Primary Examiner—Antoine D Davis

(74) *Attorney, Agent, or Firm*—Jansson Shupe & Munger
Ltd.

(57) **CLAIM**

The ornamental design for a torpedo level, as shown and
described.

DESCRIPTION

FIG. 1 is a perspective view of the torpedo level;

FIG. 2 is a front elevation of the torpedo level of FIG. 1, a rear
elevation being a mirror image thereof;

FIG. 3 is a right-side elevation of the torpedo level of FIG. 1,
a left-side elevation being a mirror image thereof;

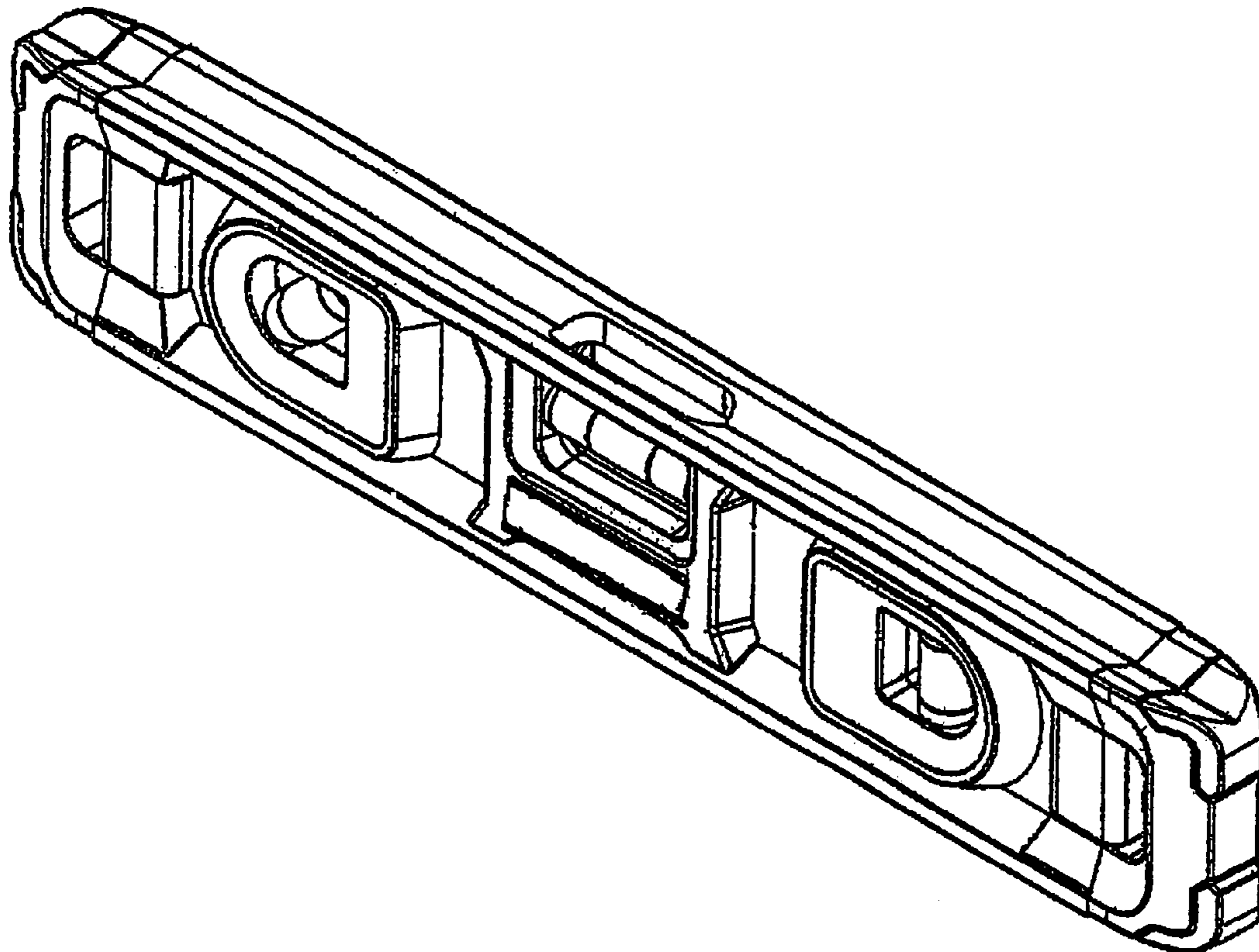
FIG. 4 is a top view of the torpedo level of FIG. 1; and,

FIG. 5 is a bottom view of the torpedo level of FIG. 1.

The word DeWALT® seen molded in FIGS. 1 and 2 is not part
of the design.

The broken line showing of the word, “DEWALT” is included
for the purpose of illustrating non-claimed subject matter and
forms no part of the claimed design.

1 Claim, 5 Drawing Sheets



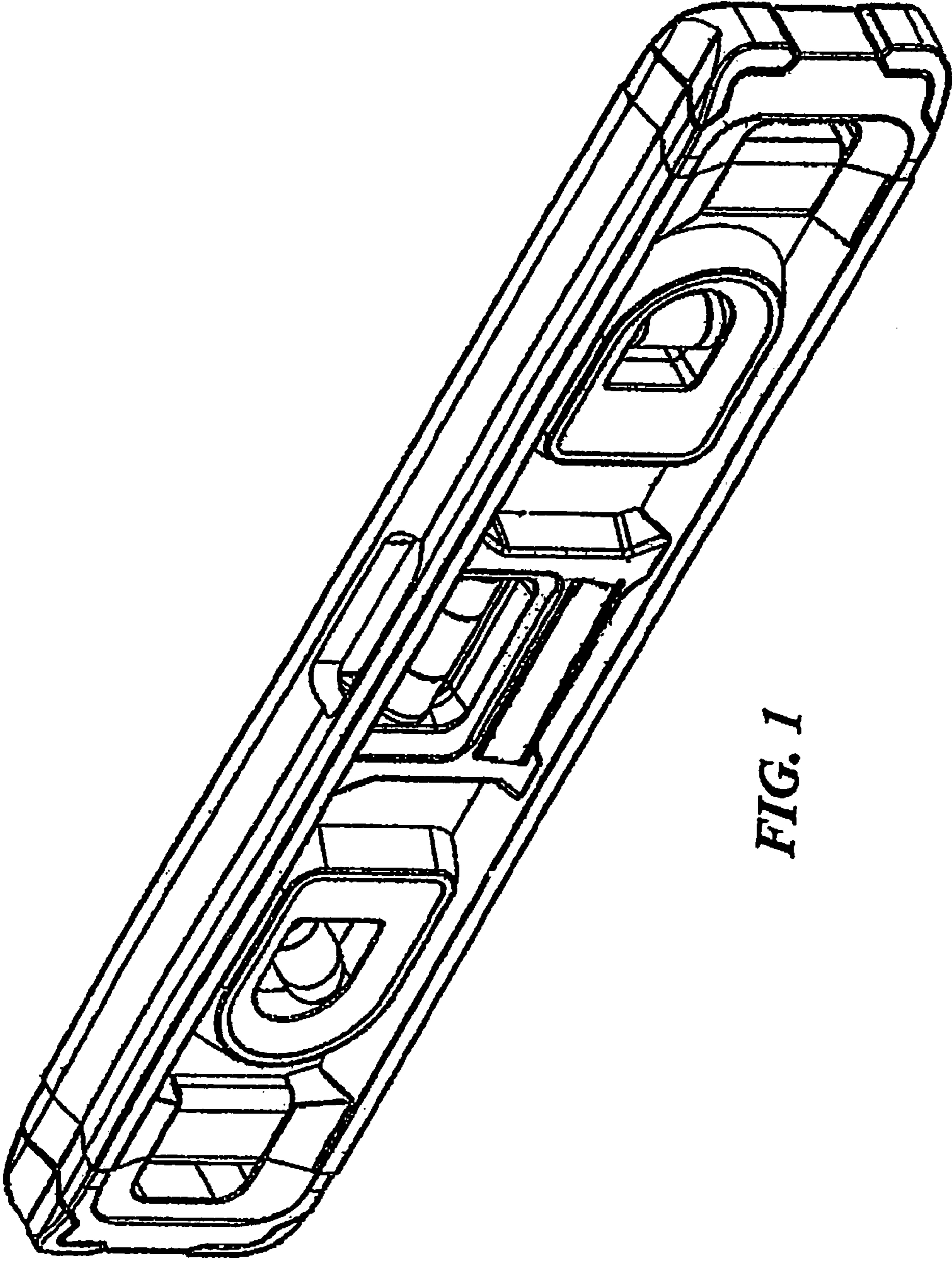


FIG. 1

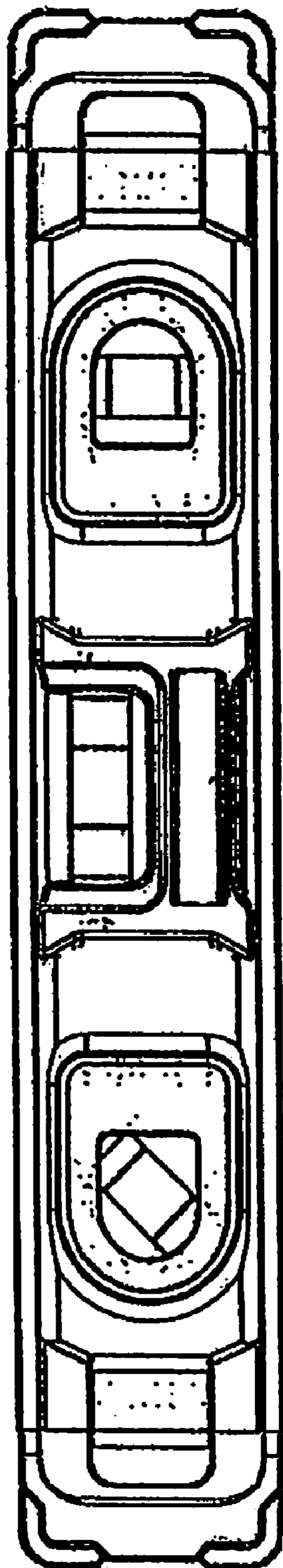


FIG. 2

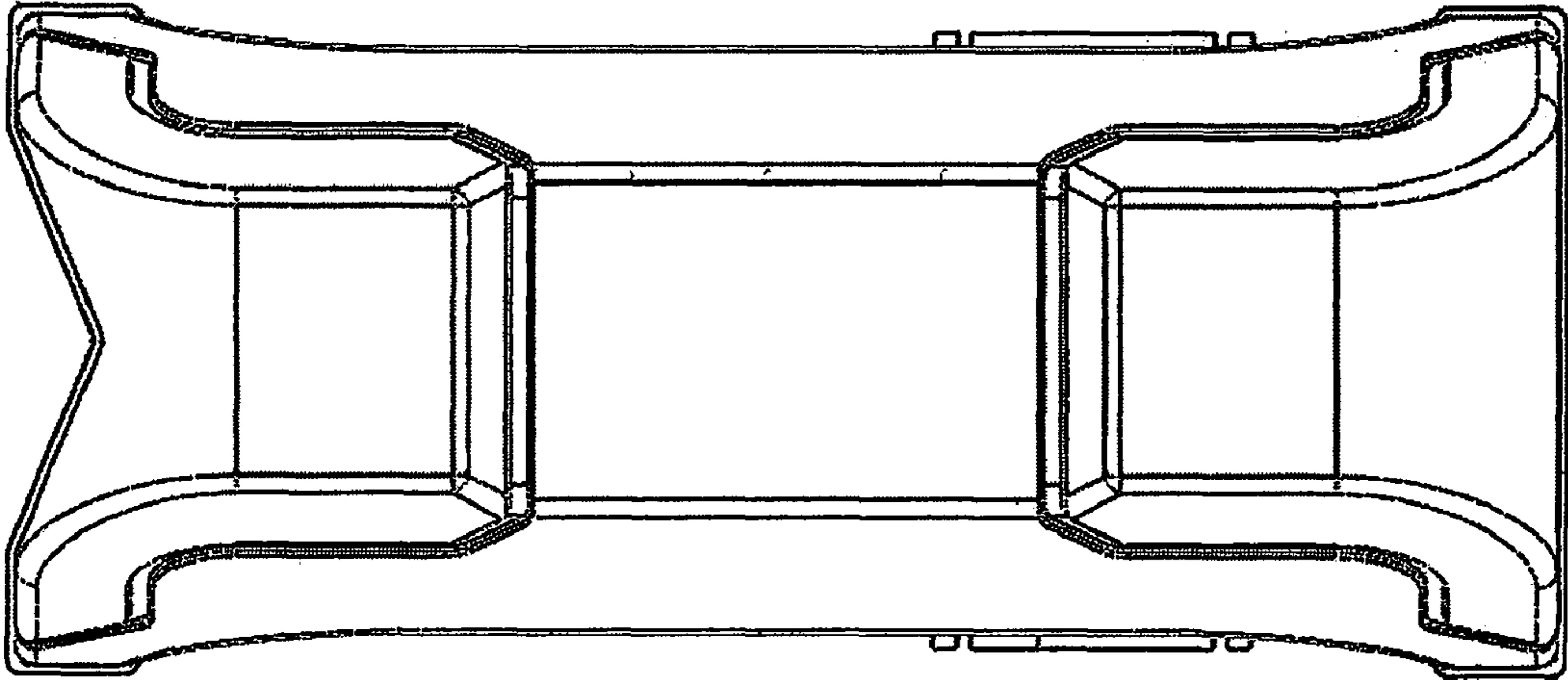


FIG. 3

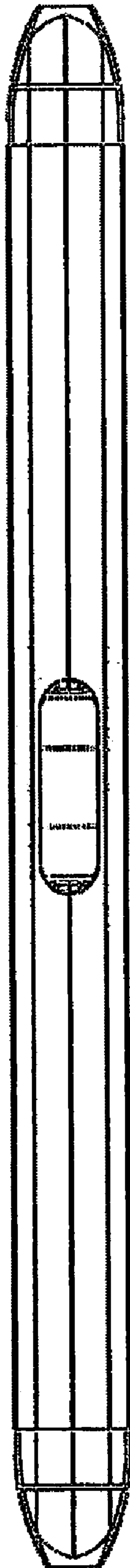


FIG. 4

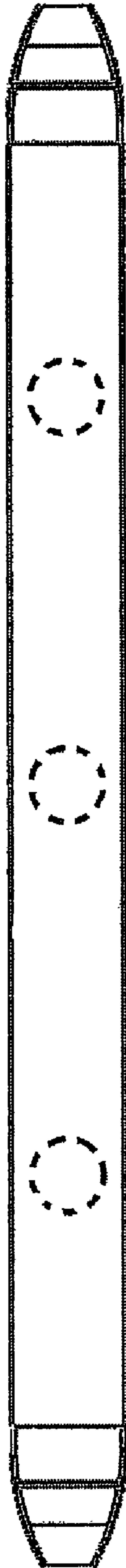


FIG. 5