



US00D628913S

(12) **United States Design Patent**
Cheng

(10) **Patent No.:** **US D628,913 S**

(45) **Date of Patent:** **** Dec. 14, 2010**

(54) **GPS NAVIGATION**

(75) Inventor: **Jung-Ching Cheng**, Tu-Cheng (TW)

(73) Assignee: **Cheng Uei Precision Industry Co., Ltd.**, Tu-Cheng, Taipei Hsien (TW)

(**) Term: **14 Years**

(21) Appl. No.: **29/361,208**

(22) Filed: **May 6, 2010**

(51) **LOC (9) Cl.** **10-04**

(52) **U.S. Cl.** **D10/65**

(58) **Field of Classification Search** D10/65;
D14/341, 344, 507, 138 R, 138 AA, 203.3,
D14/203.4, 203.5, 203.7; 342/386, 351,
342/419, 457, 357.06-357.13; 343/702;
345/87, 104, 133, 156, 168, 173, 901-905;
348/180, 184, 315, 739; 364/444, 499; 701/206-209,
701/213, 214

See application file for complete search history.

(56) **References Cited**

U.S. PATENT DOCUMENTS

- D566,589 S * 4/2008 Gonzalez D10/65
- D603,279 S * 11/2009 Weinschenk D10/65
- 2010/0020034 A1 * 1/2010 Kim 345/173

* cited by examiner

Primary Examiner—Antoine D Davis

(74) *Attorney, Agent, or Firm*—Cheng-Ju Chiang

(57) **CLAIM**

The ornamental design for a GPS navigation, as shown and described.

DESCRIPTION

FIG. 1 is a perspective view of a GPS navigation showing my new design;

FIG. 2 is a front elevational view thereof;

FIG. 3 is a rear elevational view thereof;

FIG. 4 is a left side elevational view thereof;

FIG. 5 is a right side elevational view thereof;

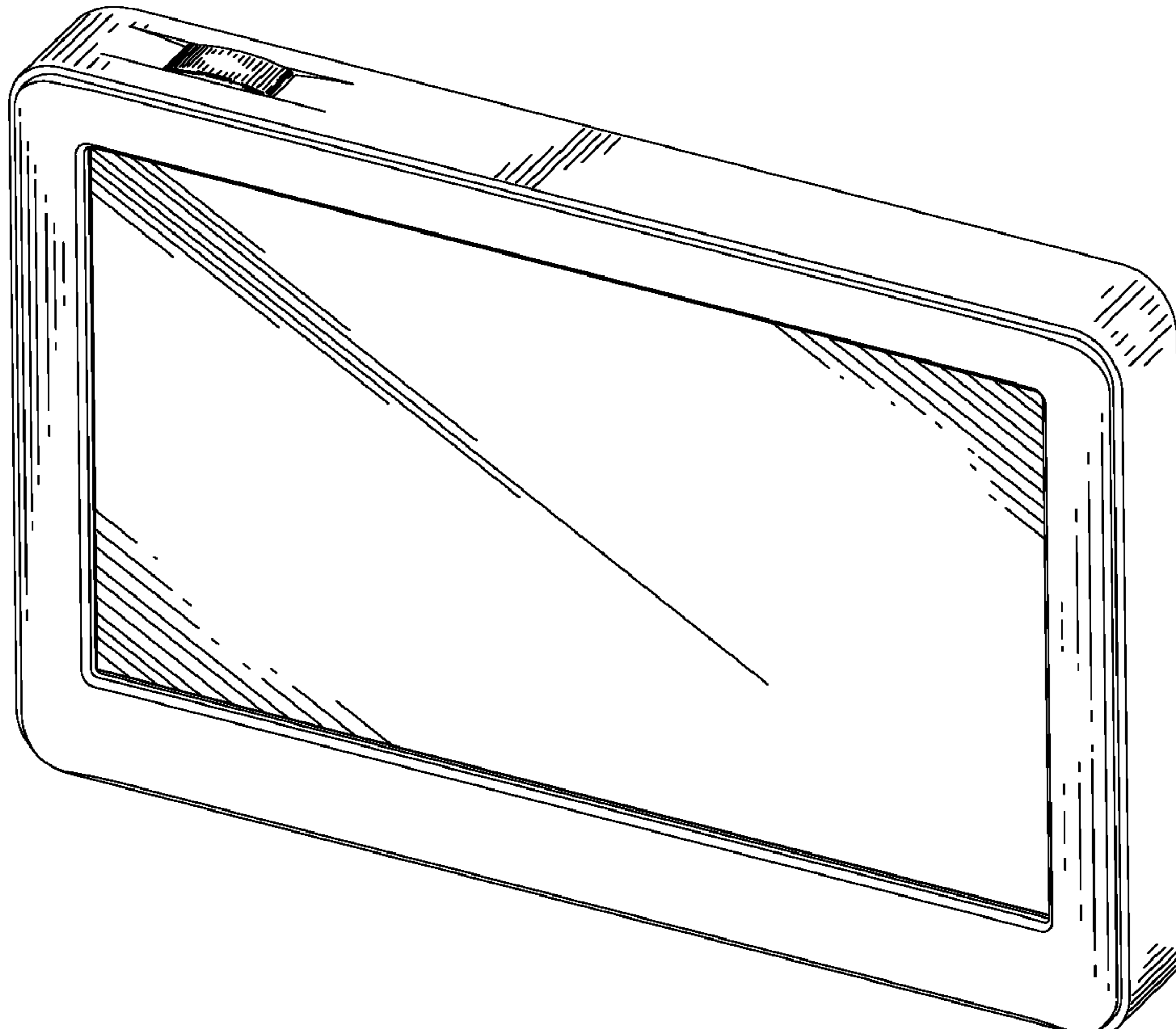
FIG. 6 is a top plan view thereof;

FIG. 7 is a bottom plan view thereof; and,

FIG. 8 is another perspective view of a GPS navigation showing my new design.

The broken line portion of the figure drawings is included to show unclaimed subject matter only and forms no part of the claimed design.

1 Claim, 8 Drawing Sheets



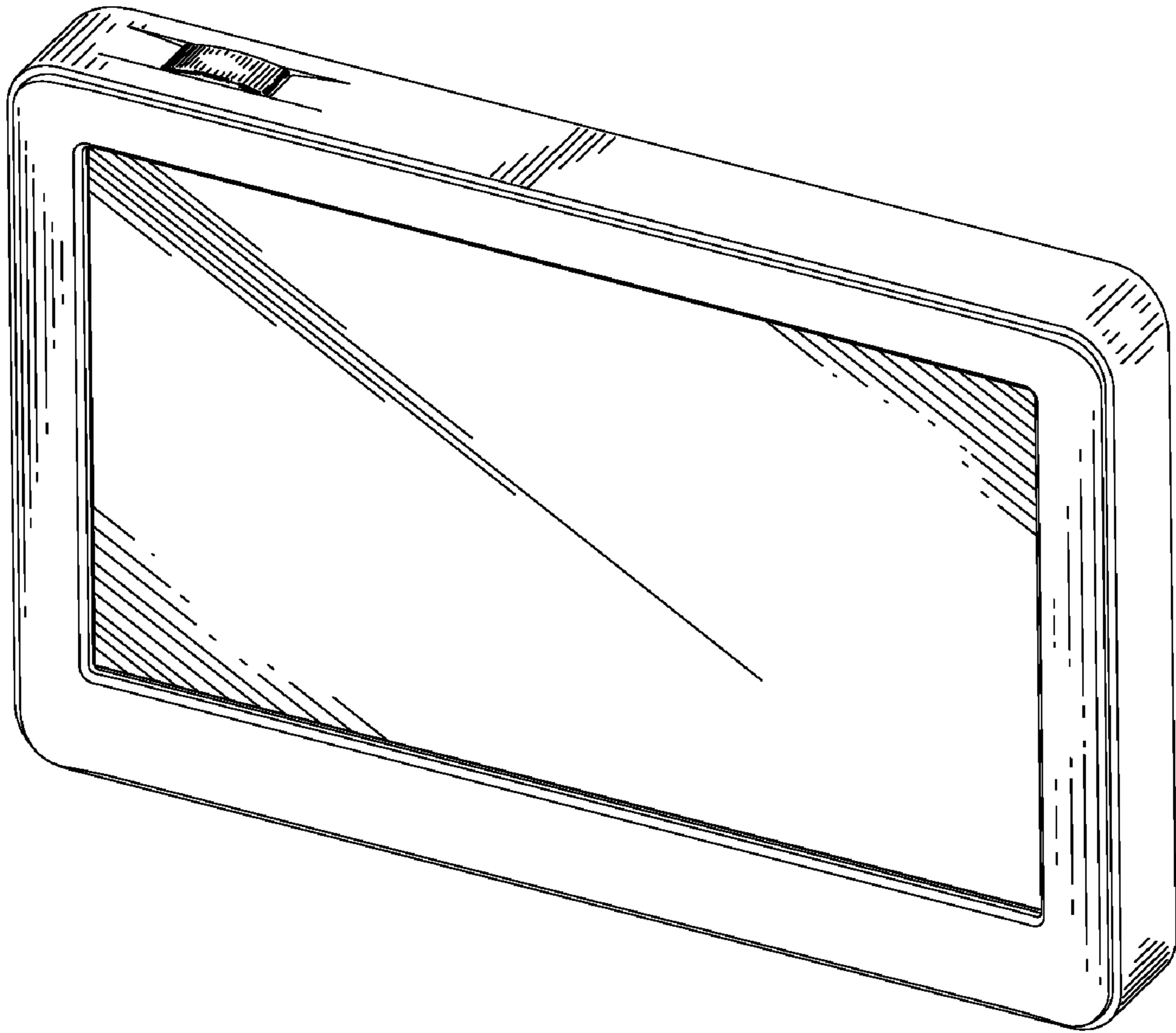


FIG. 1

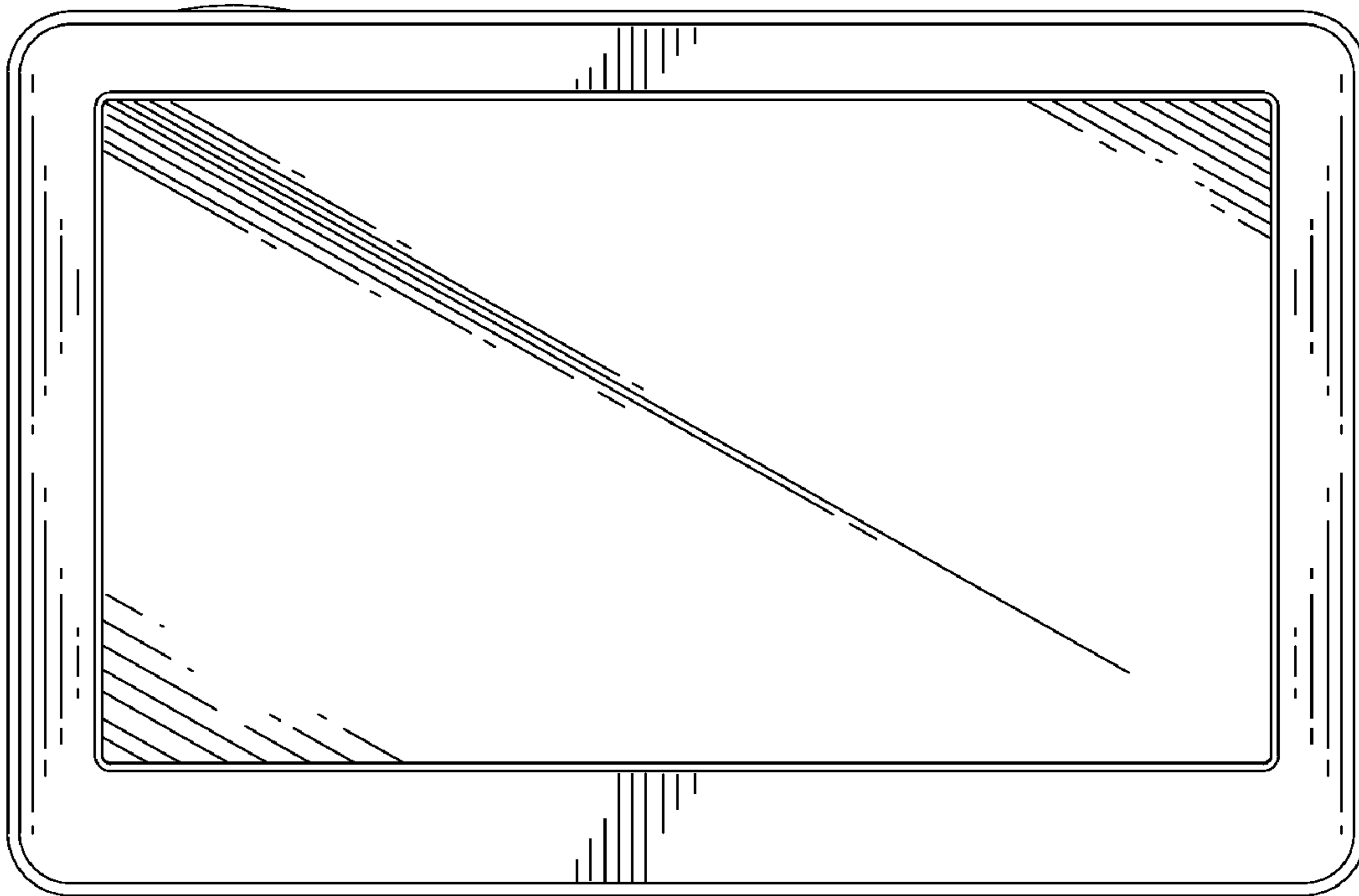


FIG. 2

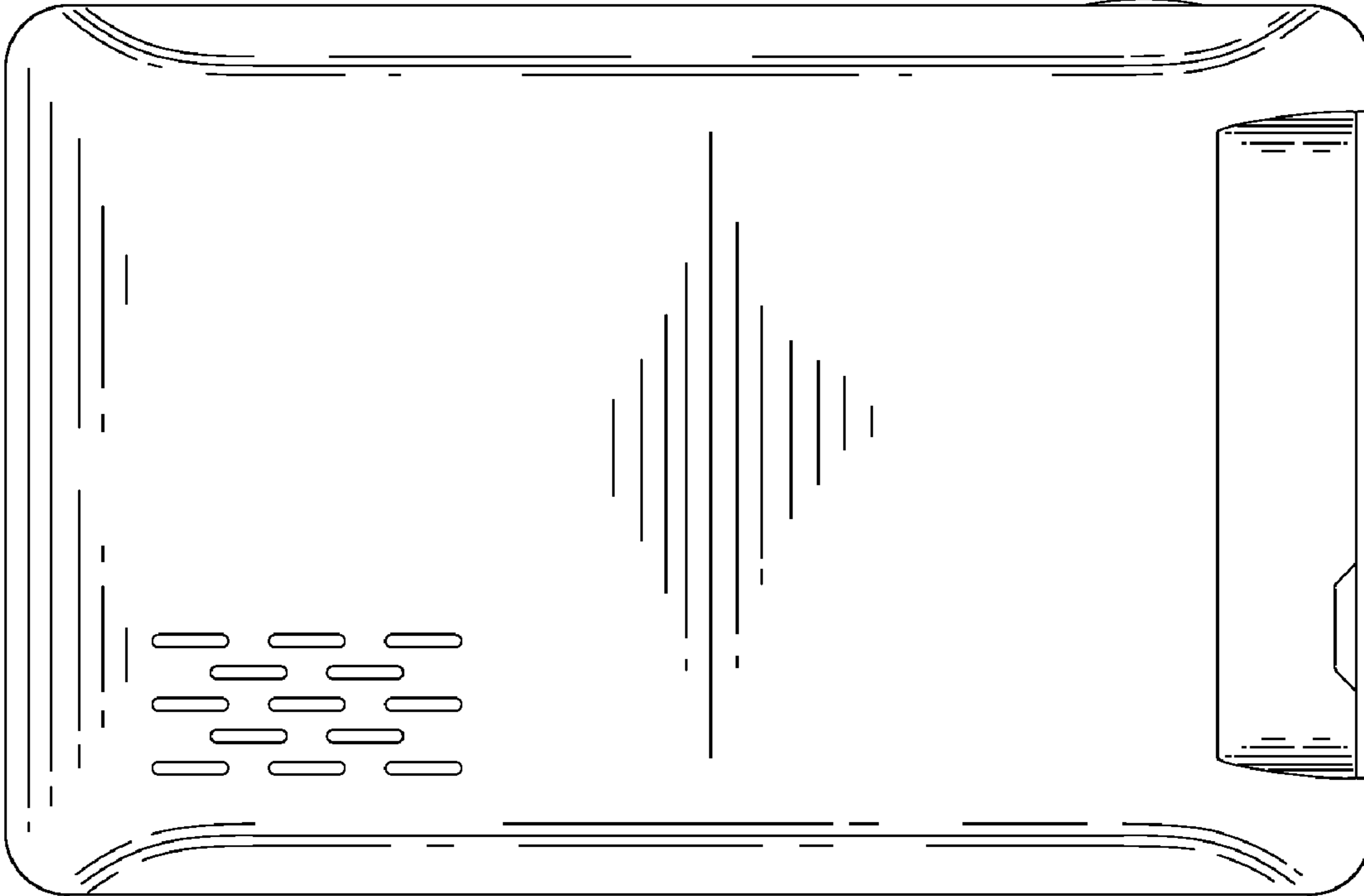


FIG. 3

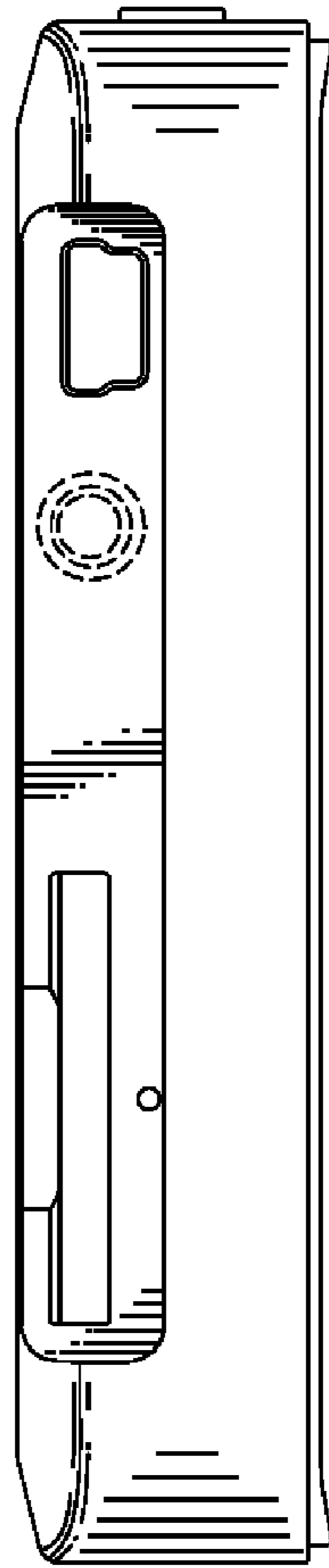


FIG. 4

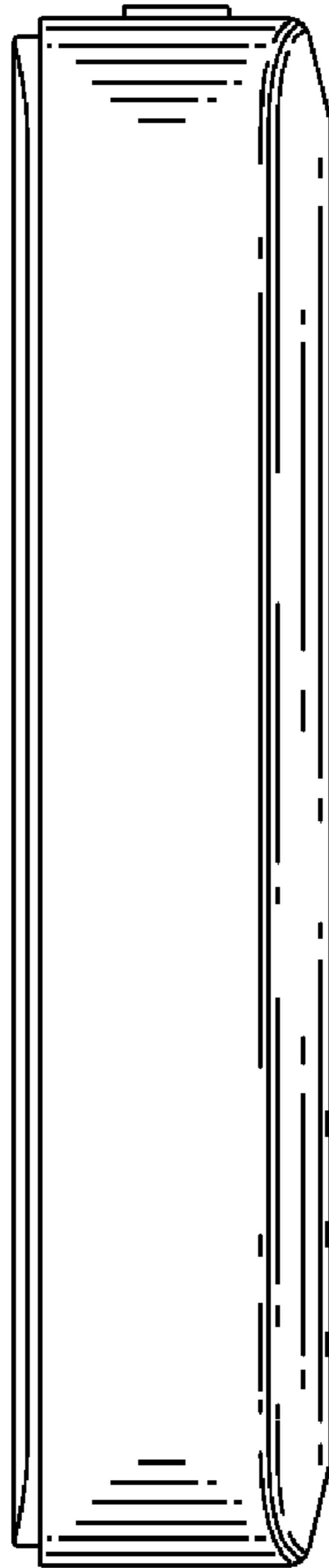


FIG. 5

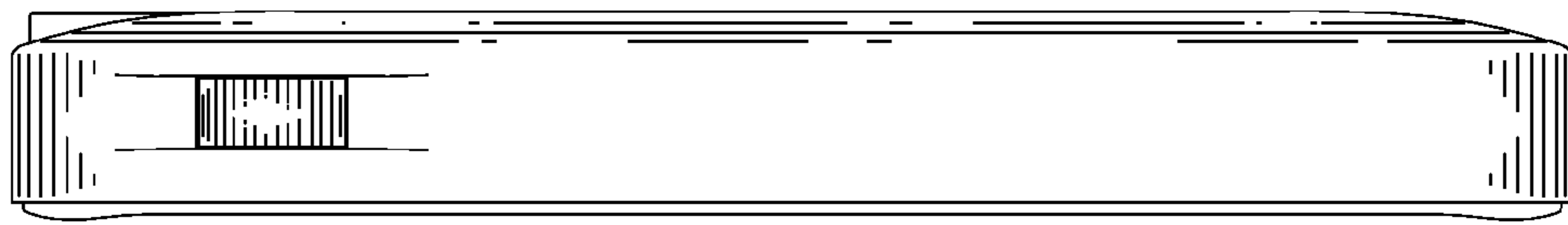


FIG. 6

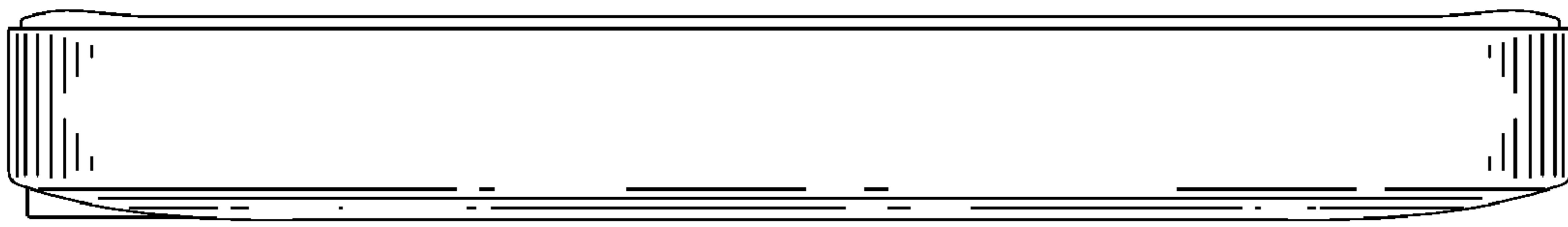


FIG. 7

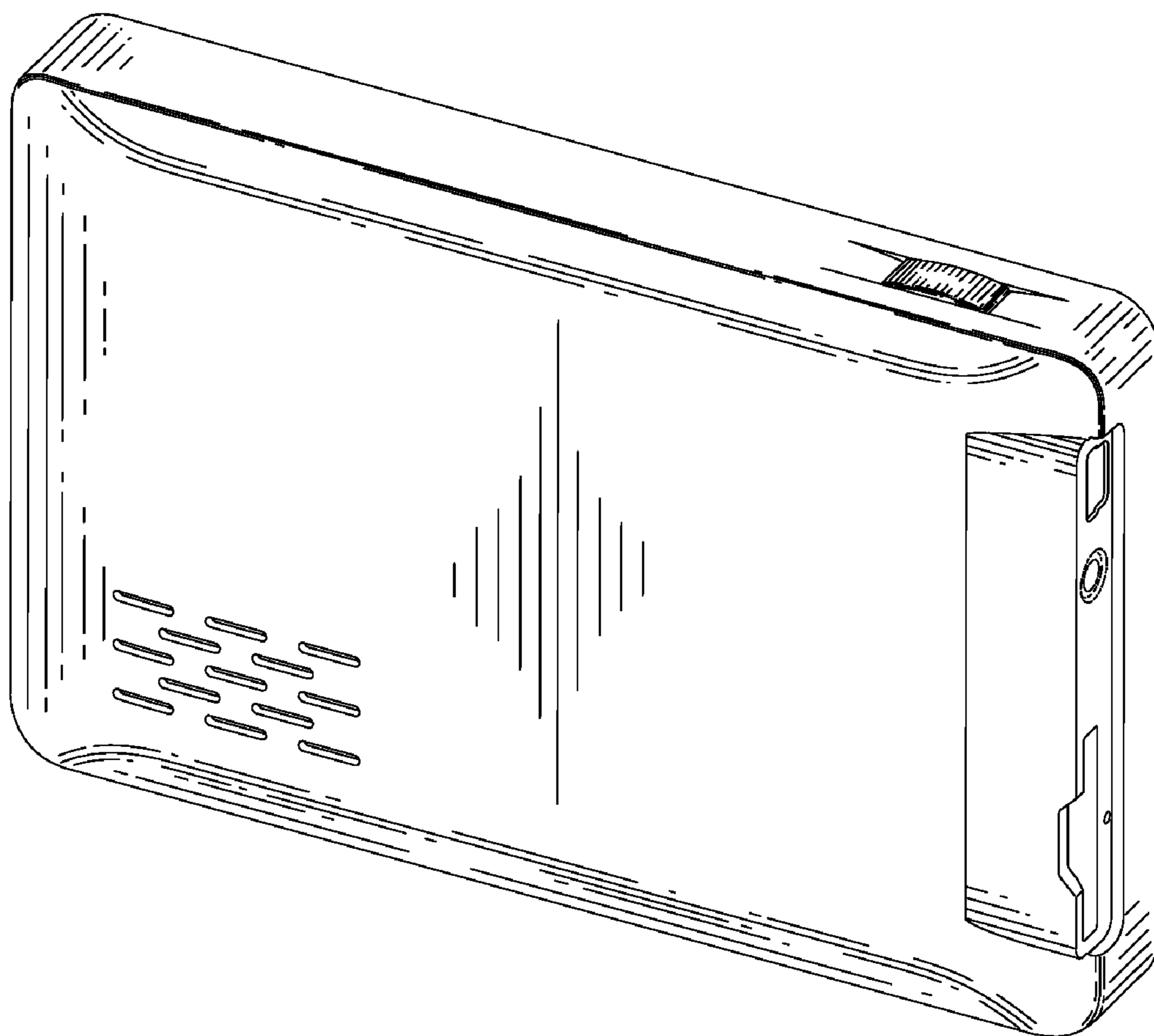


FIG. 8