



US00D628912S

(12) **United States Design Patent**
Hebert et al.

(10) **Patent No.:** **US D628,912 S**
(45) **Date of Patent:** **** Dec. 14, 2010**

(54) **CARD HOLDER WITH BIOMETRIC SENSOR**

(76) Inventors: **Raphael Hebert**, 414 Sumner St., Santa Cruz, CA (US) 95062; **Niall Macken**, 207 Younglove Ave., Santa Cruz, CA (US) 95062; **David Moriconi**, 9415 Manzanita Ave., Ben Lomond, CA (US) 95005

(**) Term: **14 Years**

(21) Appl. No.: **29/333,357**

(22) Filed: **Mar. 6, 2009**

(51) **LOC (9) Cl.** **10-04**

(52) **U.S. Cl.** **D10/46; D10/81**

(58) **Field of Classification Search** D10/46, D10/81, 103; D13/162–162.1; D14/383–384; 235/380; 380/23–24, 247; 382/124–127, 382/115–116, 312–314, 188, 118; 356/71; 340/825.34, 5.81, 5.8, 5.82, 5.83, 5.84, 5.85; 713/202, 182, 183, 184, 185, 186; 705/39, 705/64, 72, 76; 902/40; 455/410; 456/411

See application file for complete search history.

(56) **References Cited**

U.S. PATENT DOCUMENTS

5,469,506	A	11/1995	Berson et al.	
5,594,227	A	1/1997	Deo	
5,818,029	A	10/1998	Thomson	
5,920,640	A	7/1999	Salatino et al.	
6,219,439	B1	4/2001	Burger	
6,484,260	B1	11/2002	Scott et al.	
6,532,298	B1	3/2003	Cambier et al.	
6,641,009	B2	11/2003	French et al.	
D501,208	S *	1/2005	Ozolins et al.	D14/383
6,844,660	B2	1/2005	Scott	
6,870,966	B1	3/2005	Silverbrook et al.	
6,880,750	B2	4/2005	Pentel	
D508,245	S *	8/2005	Ozolins et al.	D14/383
6,970,584	B2	11/2005	O’Gorman et al.	
6,991,174	B2	1/2006	Zuili	
D522,510	S *	6/2006	Su	D14/384
D535,992	S *	1/2007	Ozolins et al.	D14/383

7,545,621	B2 *	6/2009	Haddad	361/220
2002/0148892	A1	10/2002	Bardwell	
2003/0115490	A1	6/2003	Russo et al.	
2004/0050933	A1	3/2004	Keronen et al.	
2006/0115134	A1	6/2006	Kozlay	

* cited by examiner

Primary Examiner—Antoine D Davis

(74) *Attorney, Agent, or Firm*—Cooley LLP

(57) **CLAIM**

The ornamental design for a card holder with biometric sensor, as shown and described.

DESCRIPTION

FIG. 1 is a front view thereof;
 FIG. 2 is a back view thereof;
 FIG. 3 is a left side view thereof;
 FIG. 4 is an enlarged left side view taken of the portion of FIG. 3 identified by the line 4;
 FIG. 5 is a right side view thereof;
 FIG. 6 is an enlarged right side view of the portion of FIG. 5 identified by the line 6;
 FIG. 7 is a top view thereof;
 FIG. 8 is a bottom view thereof;
 FIG. 9 is a front perspective view thereof;
 FIG. 10 is a back perspective view thereof;
 FIG. 11 is a second embodiment thereof;
 FIG. 12 is a back view of the second embodiment;
 FIG. 13 is a left side view of the second embodiment;
 FIG. 14 is an enlarged left side view of the portion of FIG. 13 identified by the line 14;
 FIG. 15 is a right side view of the second embodiment;
 FIG. 16 is an enlarged right side view of the portion of FIG. 15 identified by the line 16;
 FIG. 17 is a top view of the second embodiment;
 FIG. 18 is a bottom view of the second embodiment;
 FIG. 19 is a front perspective view of the second embodiment;

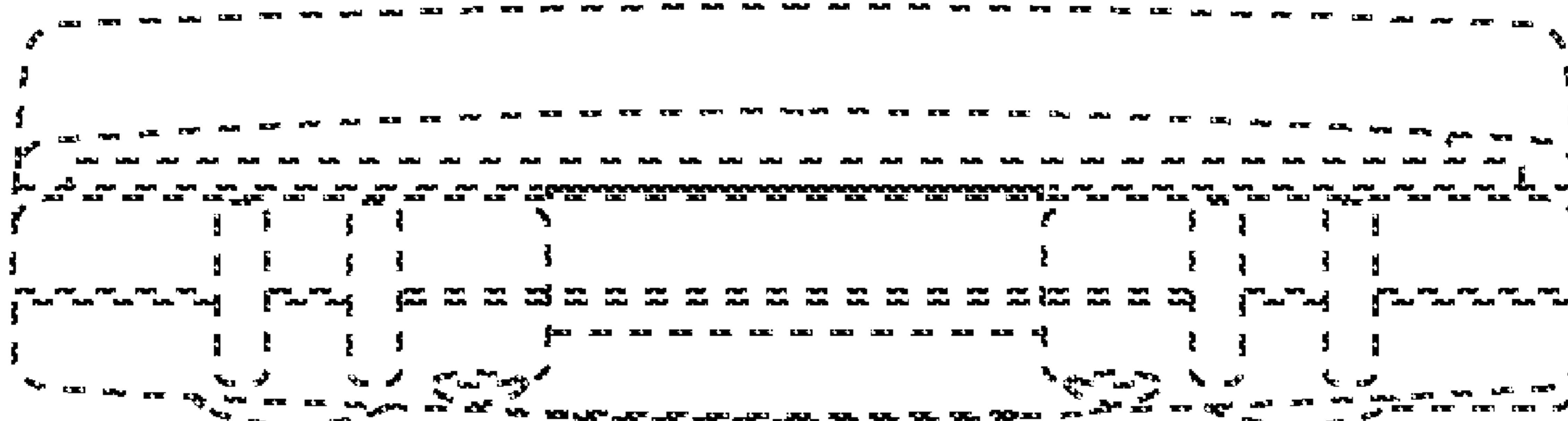


FIG. 20 is a back perspective view of the second embodiment;
FIG. 21 is a third embodiment thereof;
FIG. 22 is a back view of the third embodiment;
FIG. 23 is a left side view thereof;
FIG. 24 is an enlarged left side view of the portion of FIG. 23 identified by the line 24;
FIG. 25 is a right side view thereof;
FIG. 26 is an enlarged right side view of the portion of FIG. 25 identified by the line 26;
FIG. 27 is a top view of the third embodiment;
FIG. 28 is a bottom view of the third embodiment;
FIG. 29 is a front perspective view of the third embodiment;
FIG. 30 is a back perspective view of the third embodiment;
FIG. 31 is a fourth embodiment thereof;
FIG. 32 is a back view of the fourth embodiment;

FIG. 33 is a left side view thereof;
FIG. 34 is an enlarged left side view of the portion of FIG. 33 identified by the line 34;
FIG. 35 is a right side view thereof;
FIG. 36 is an enlarged right side view of the portion of FIG. 35 identified by the line 36;
FIG. 37 is a top view of the fourth embodiment;
FIG. 38 is a bottom view of the fourth embodiment;
FIG. 39 is a front perspective view of the fourth embodiment;
and,
FIG. 40 is a back perspective view of the fourth embodiment.
The portion of the article depicted in broken lines is for illustrative purposes only and forms no part of the claimed design. The wavy broken line intersecting the drawing depicts the indeterminate length of the claimed design.

1 Claim, 32 Drawing Sheets

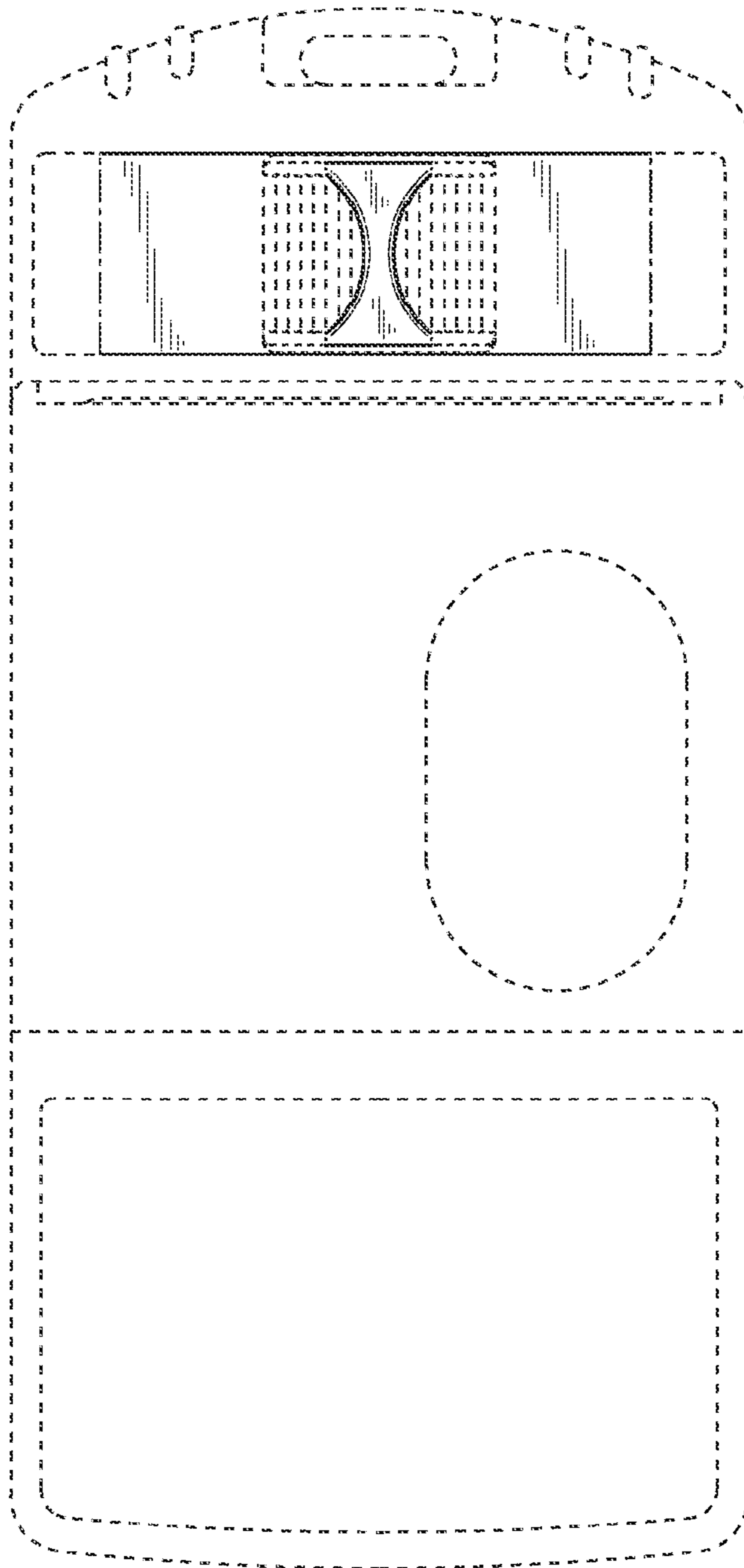


FIG. 1

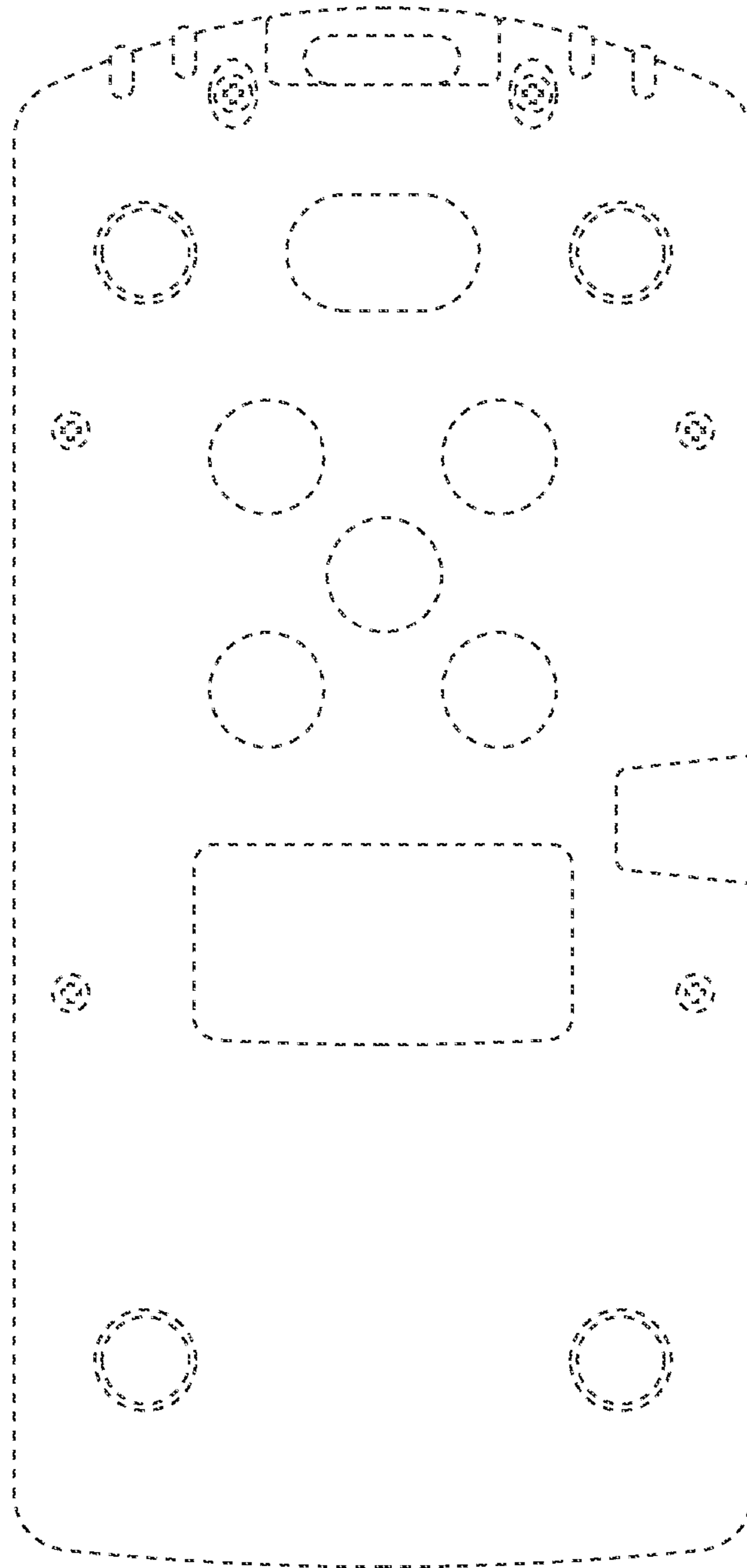


FIG. 2

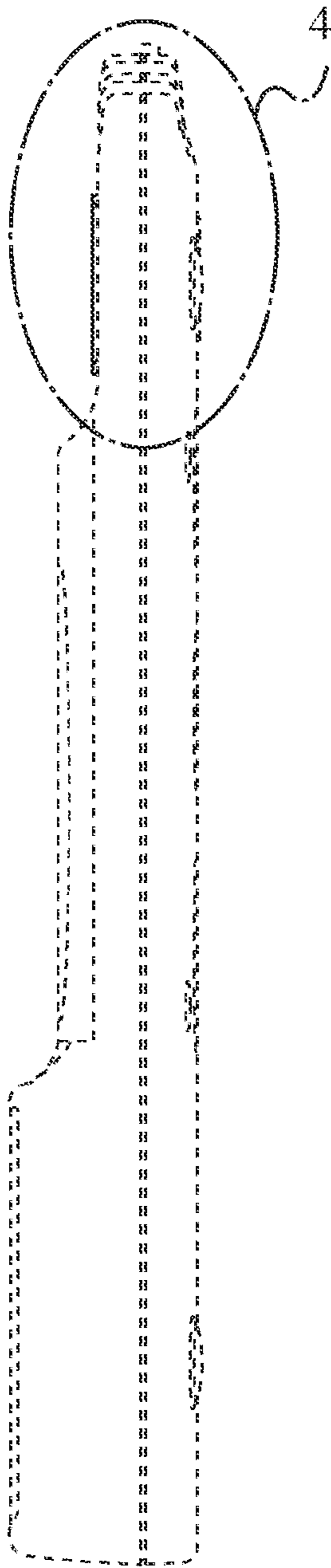


FIG. 3

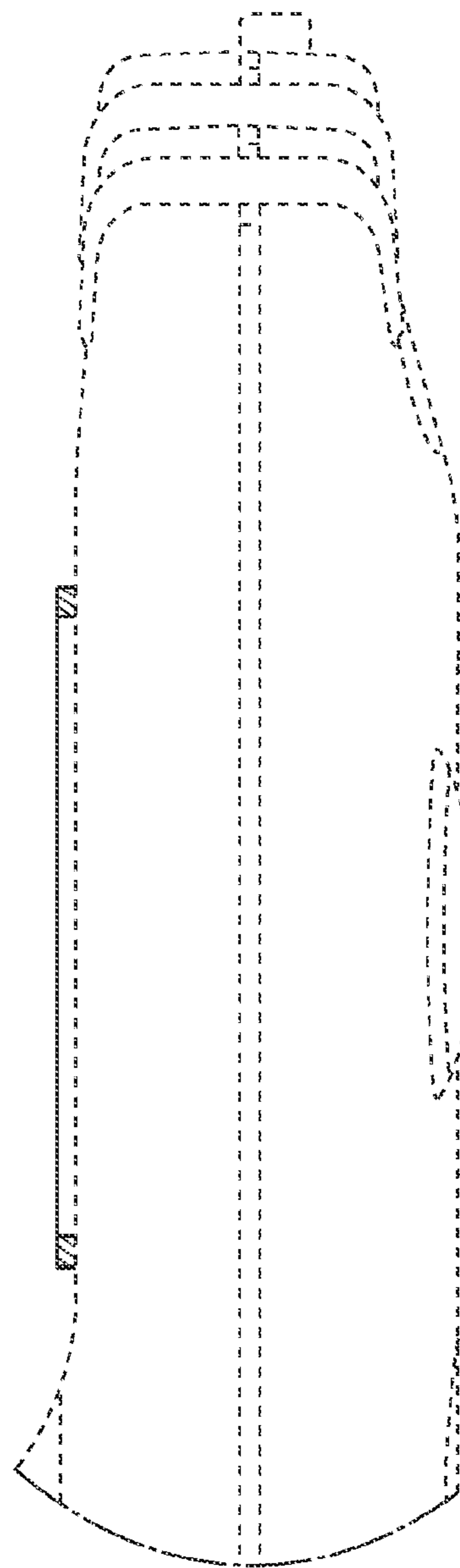


FIG. 4

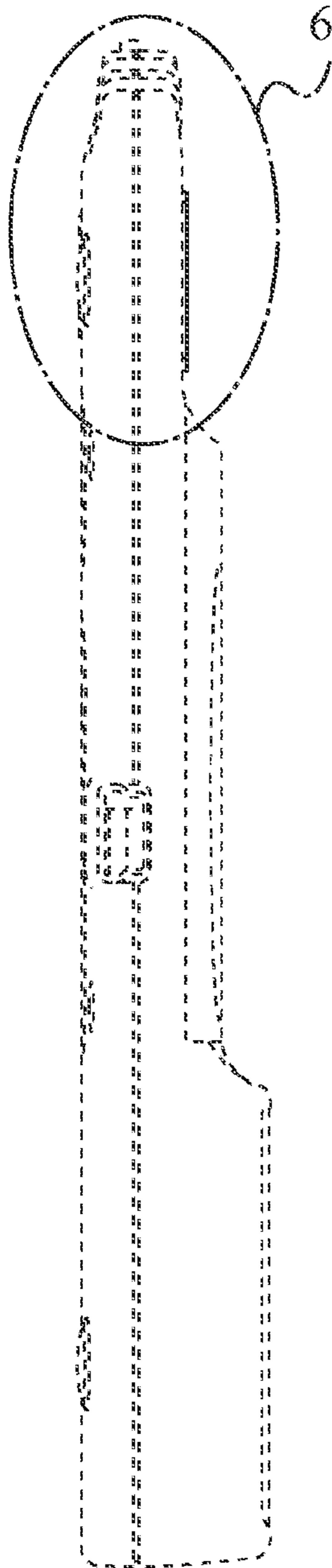


FIG. 5

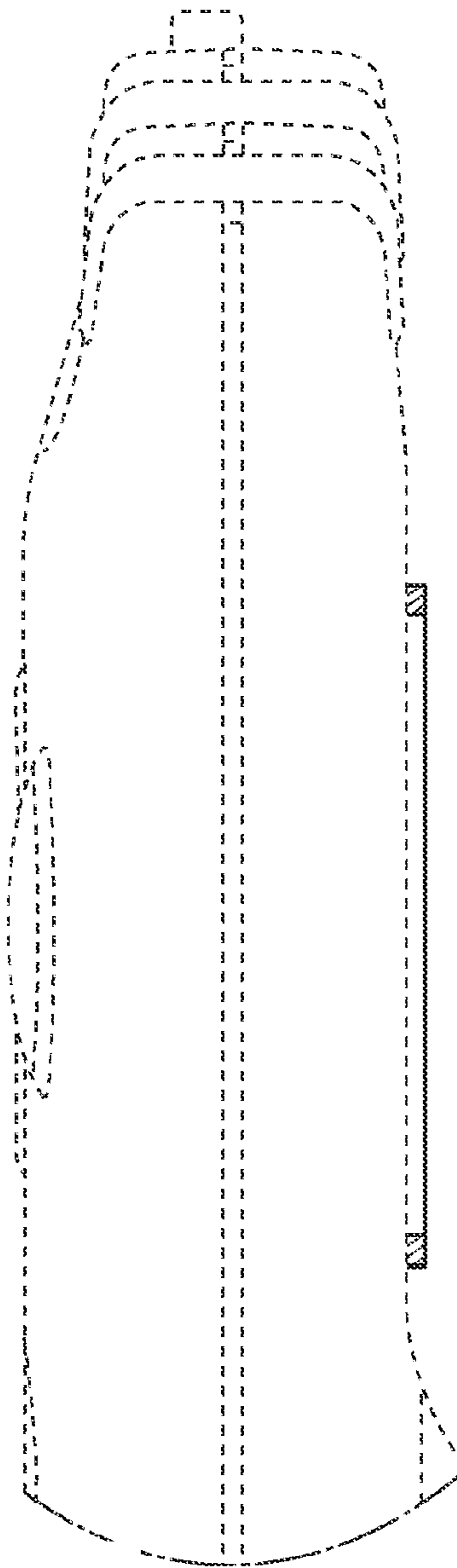


FIG. 6

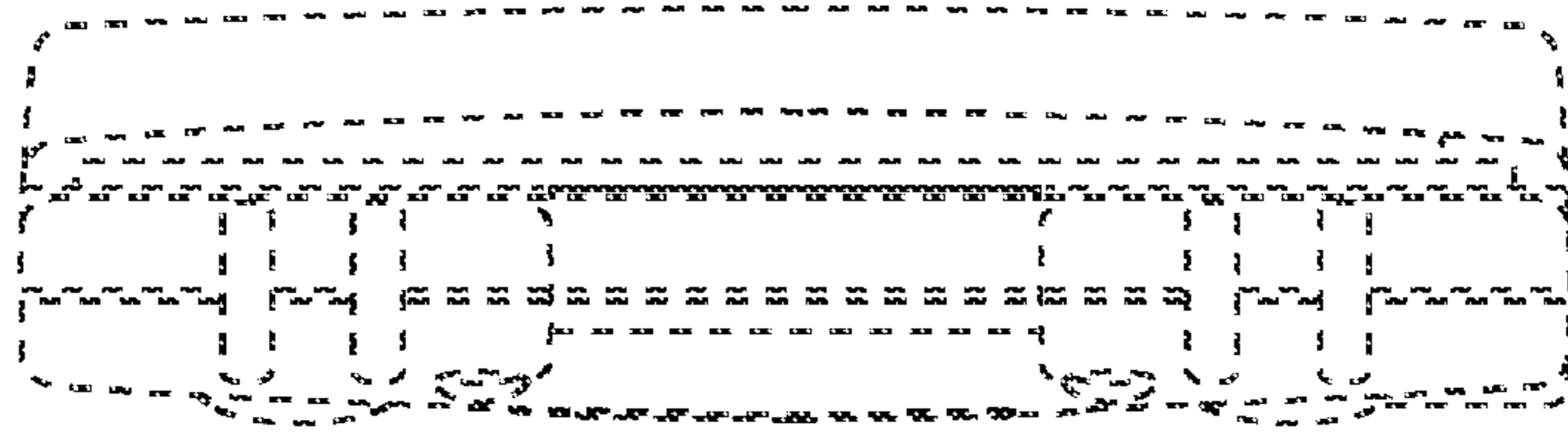


FIG. 7

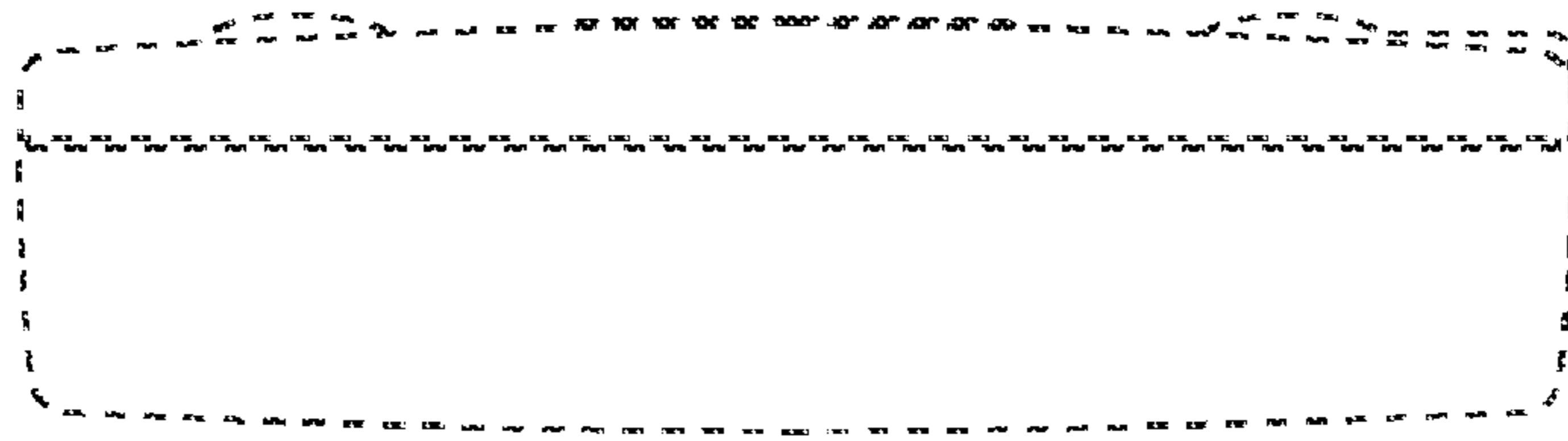


FIG. 8

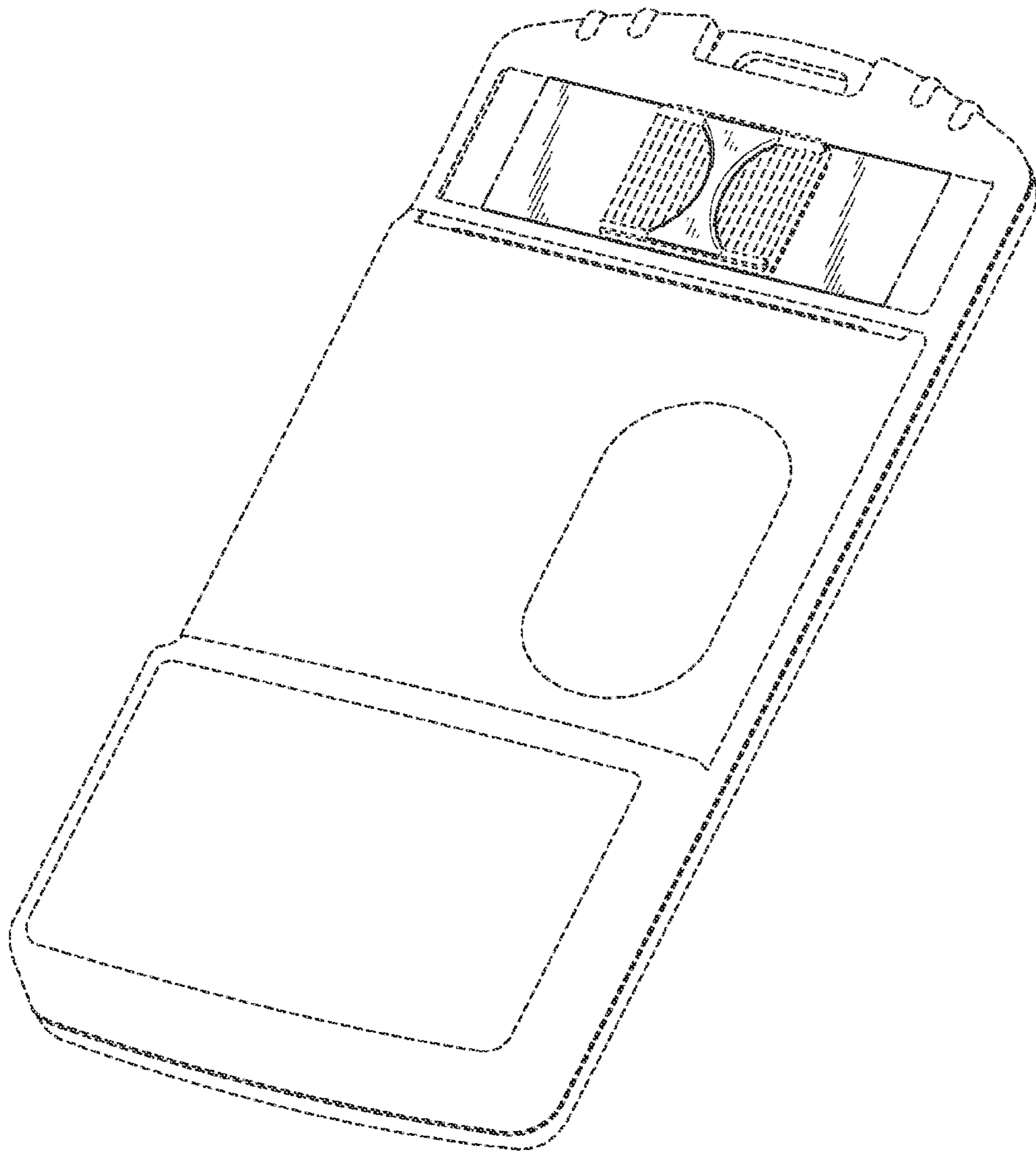


FIG. 9

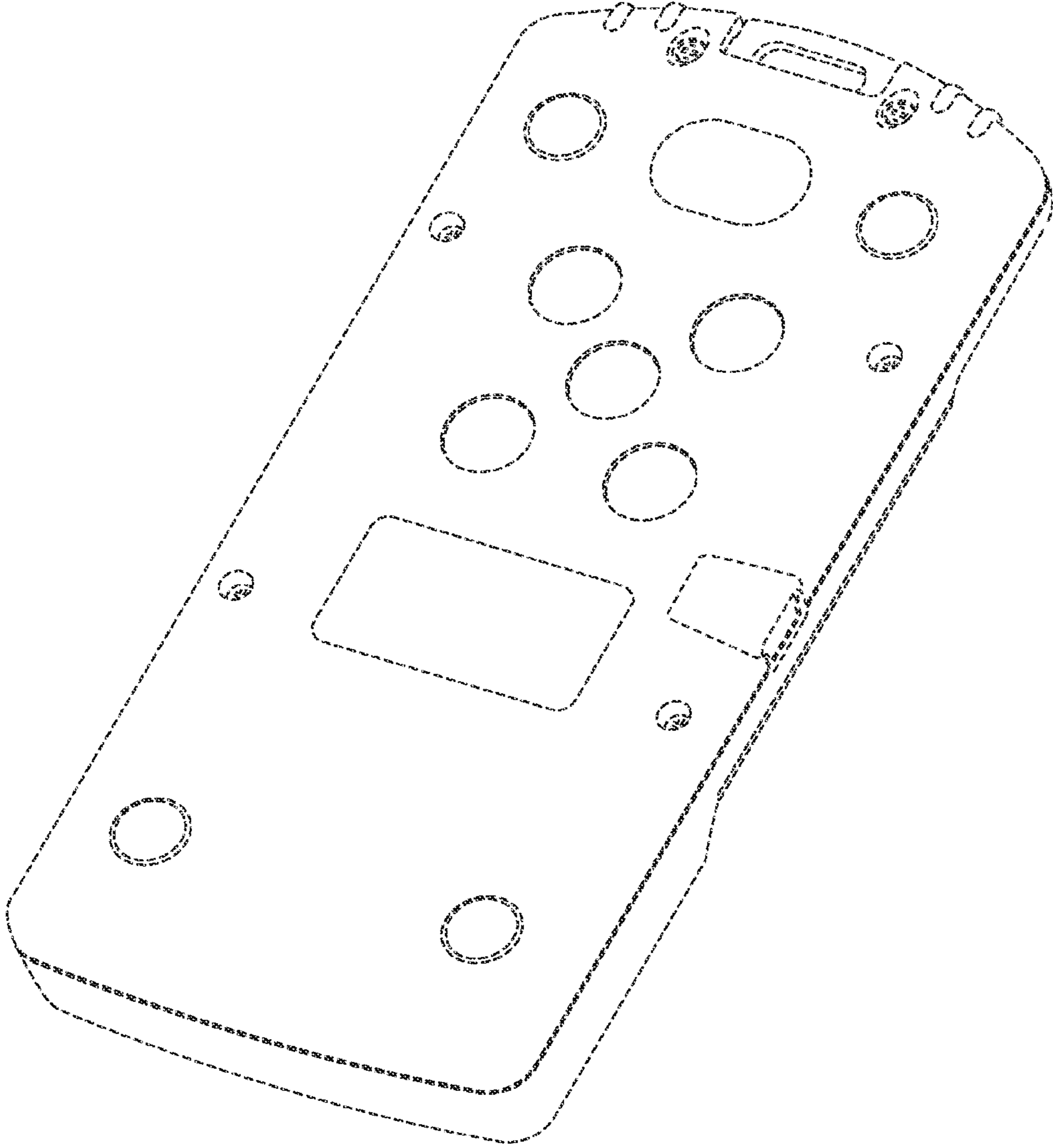


FIG. 10

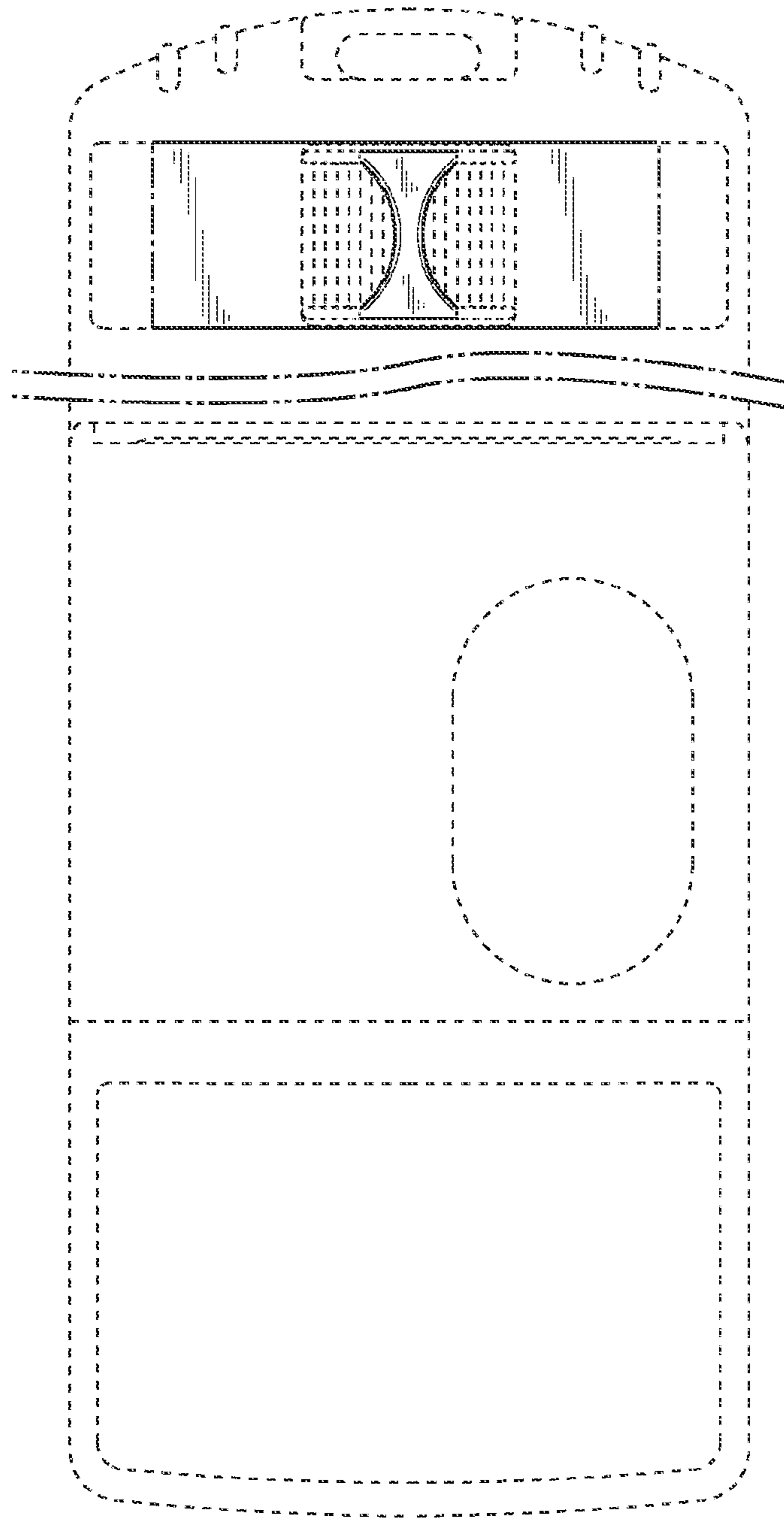


FIG. 11

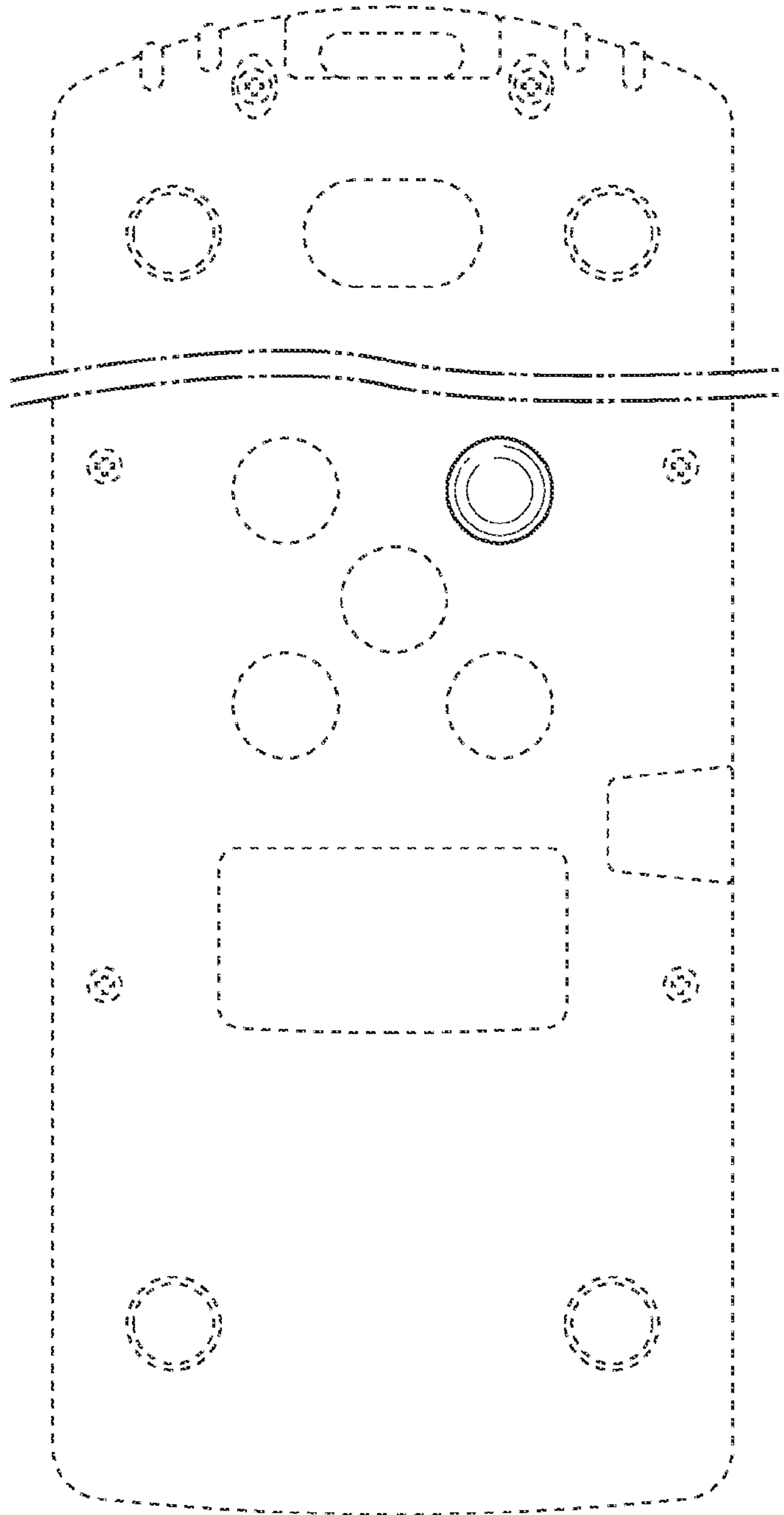


FIG. 12

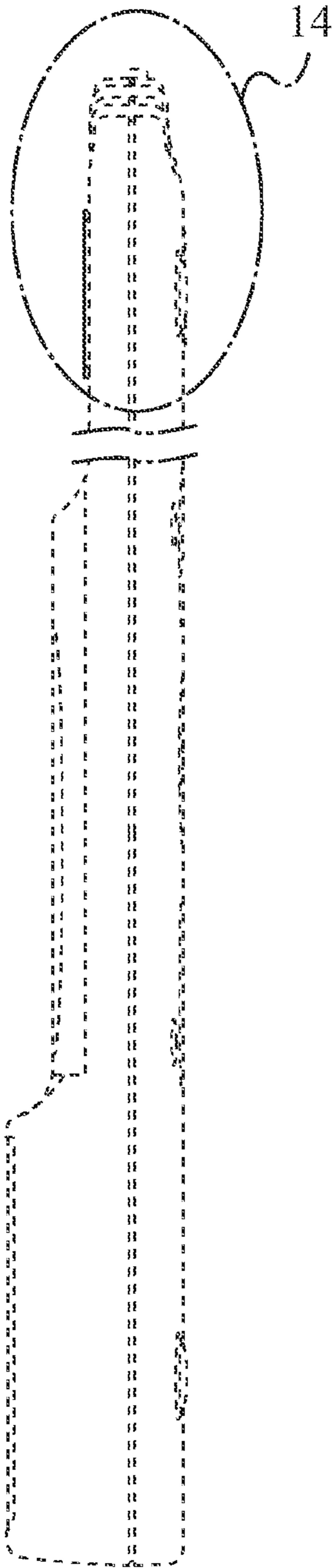


FIG. 13

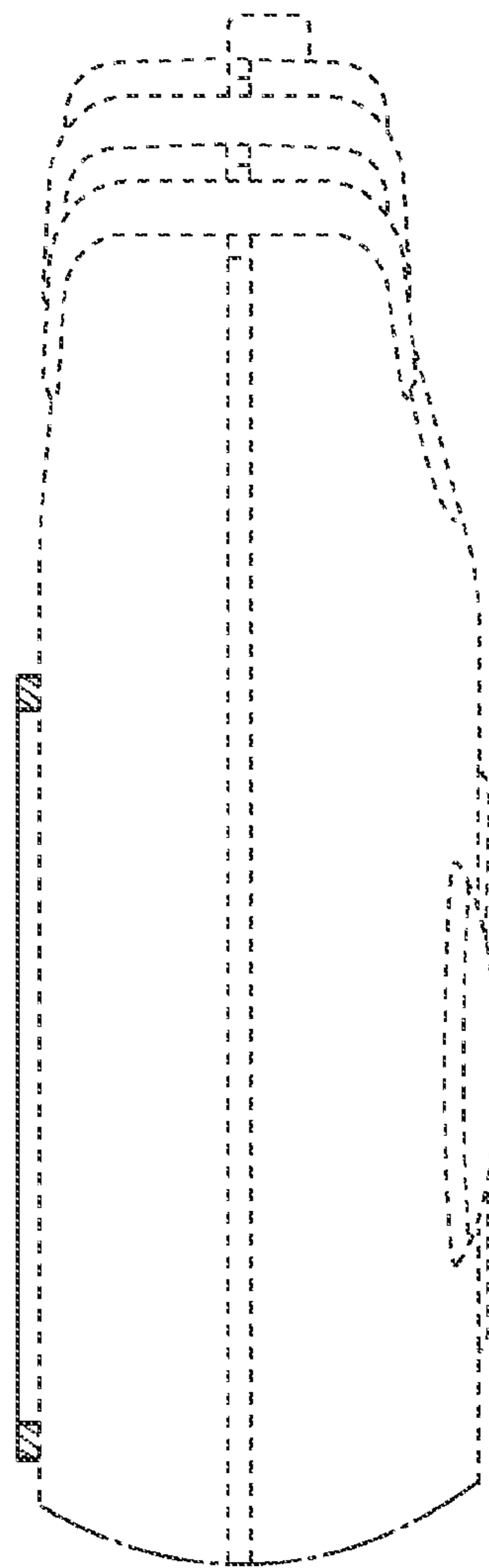


FIG. 14

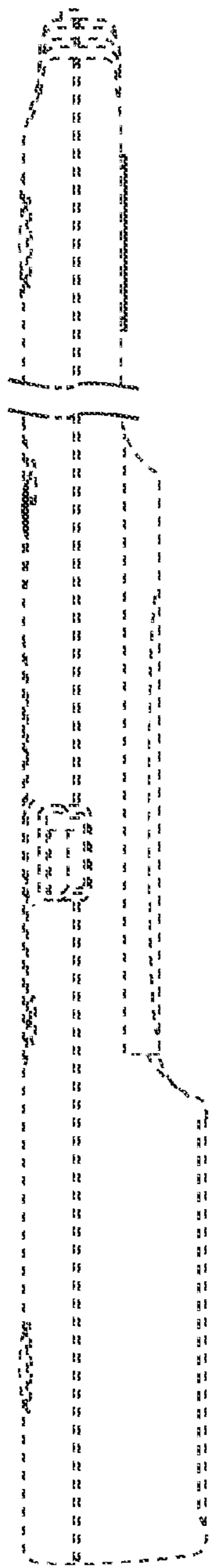


FIG. 15

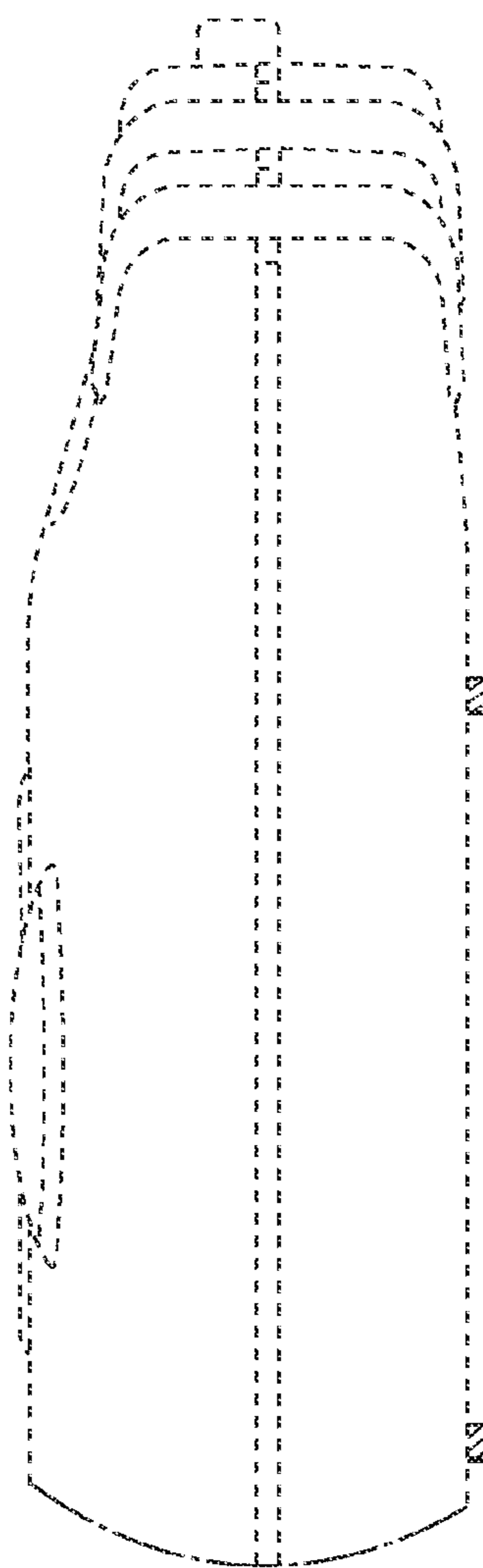


FIG. 16

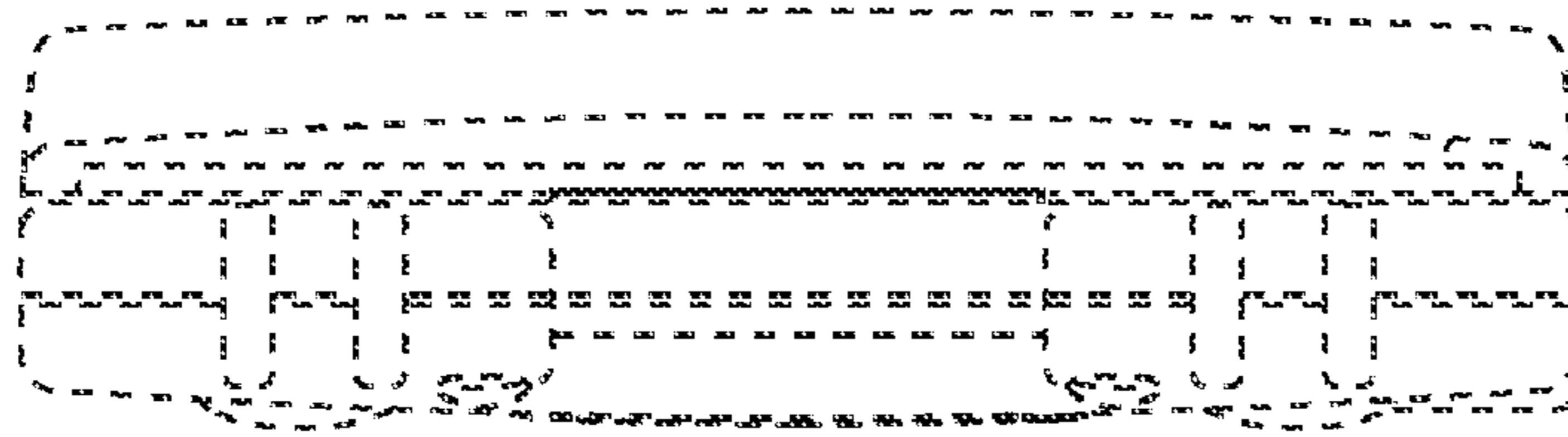


FIG. 17

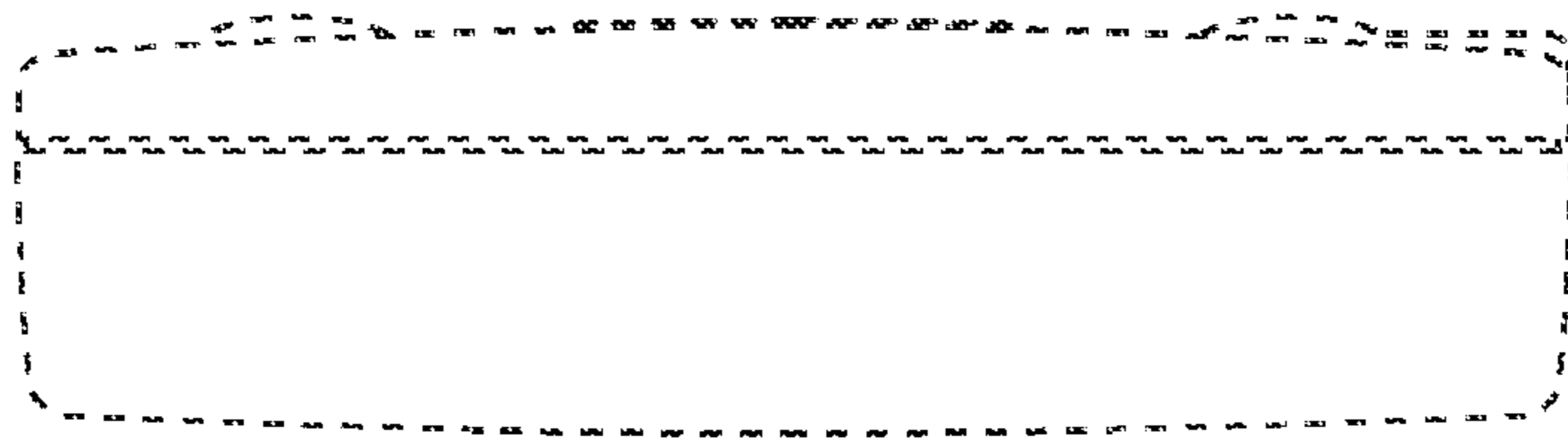


FIG. 18

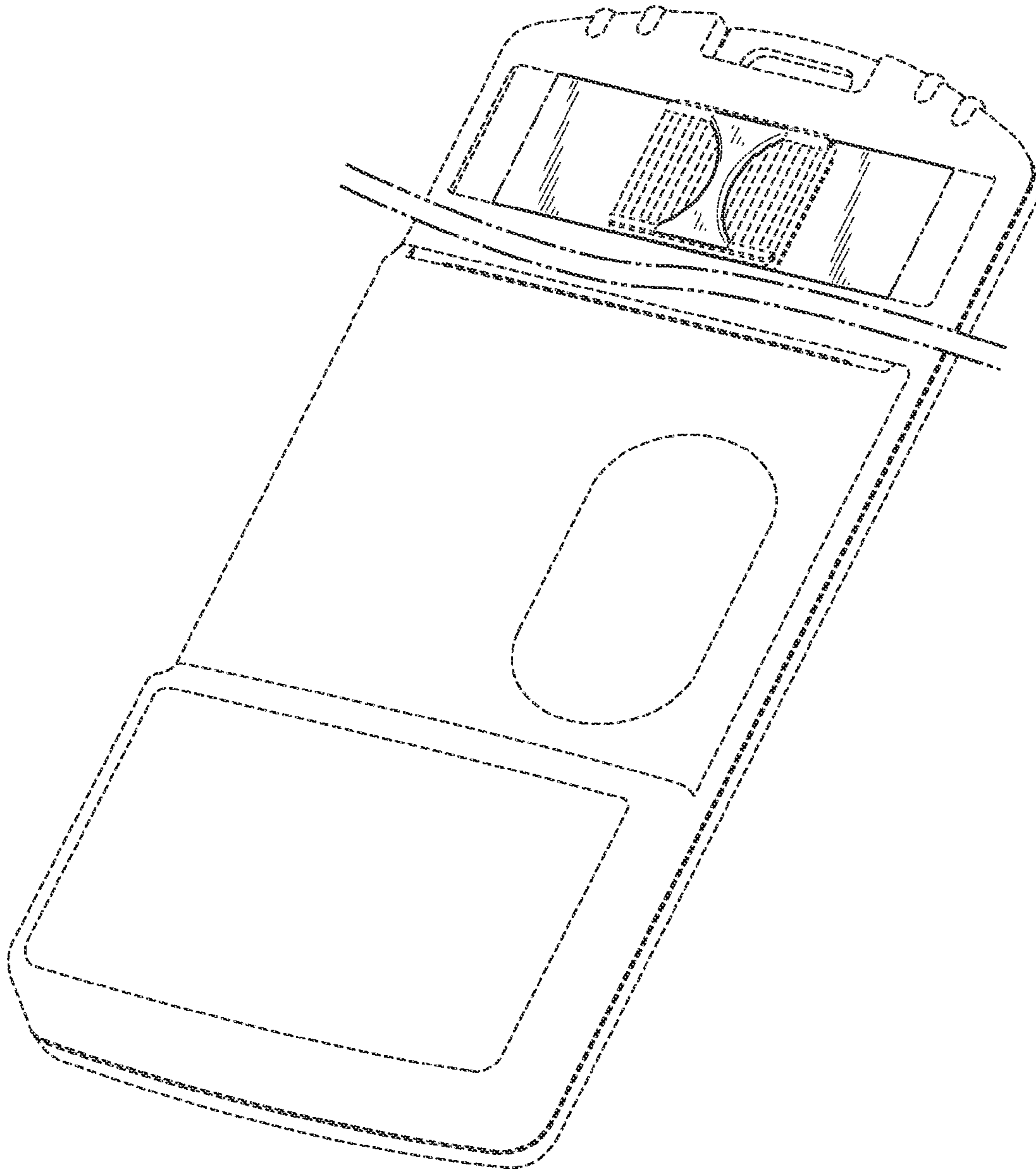


FIG. 19

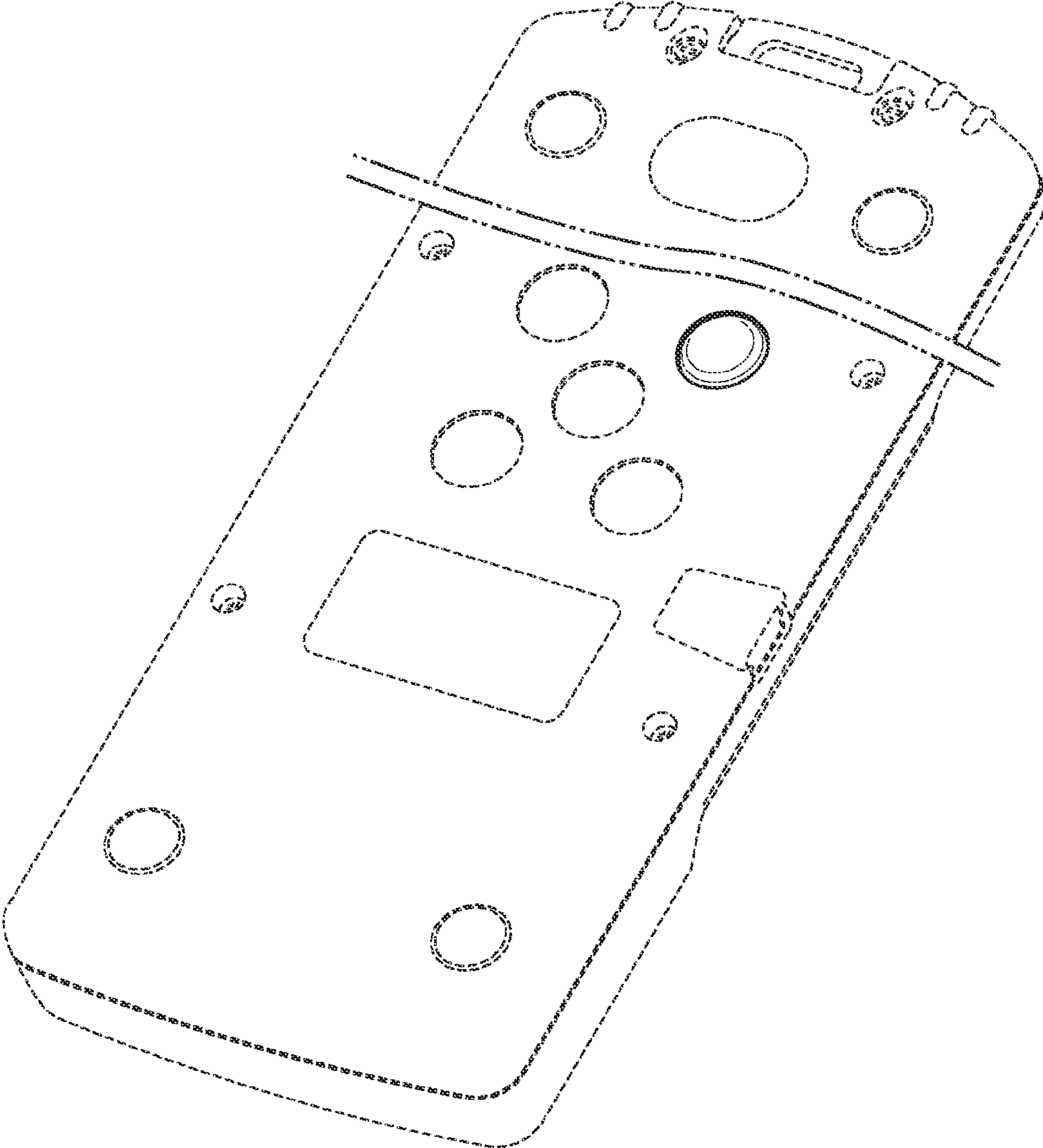


FIG. 20

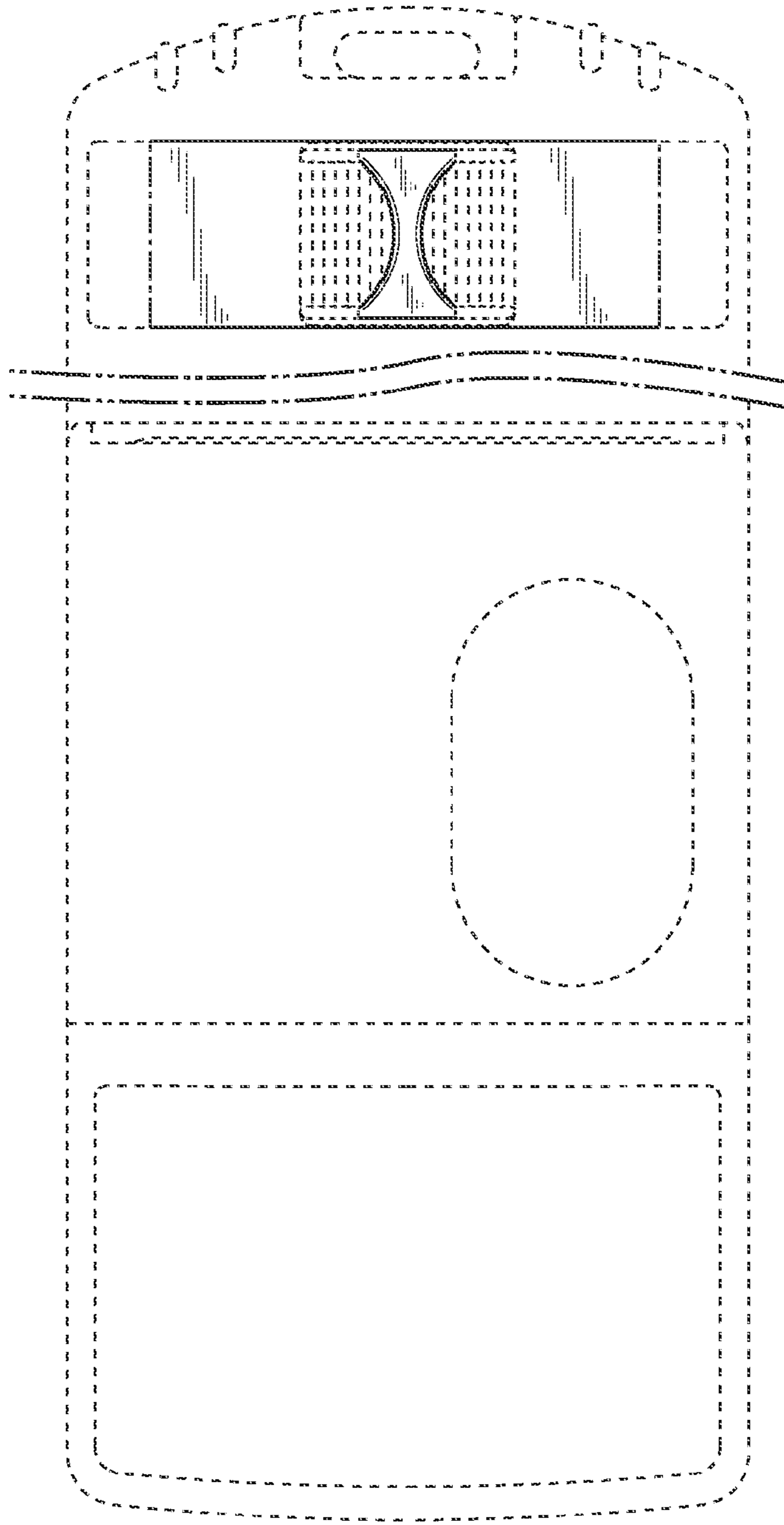


FIG. 21

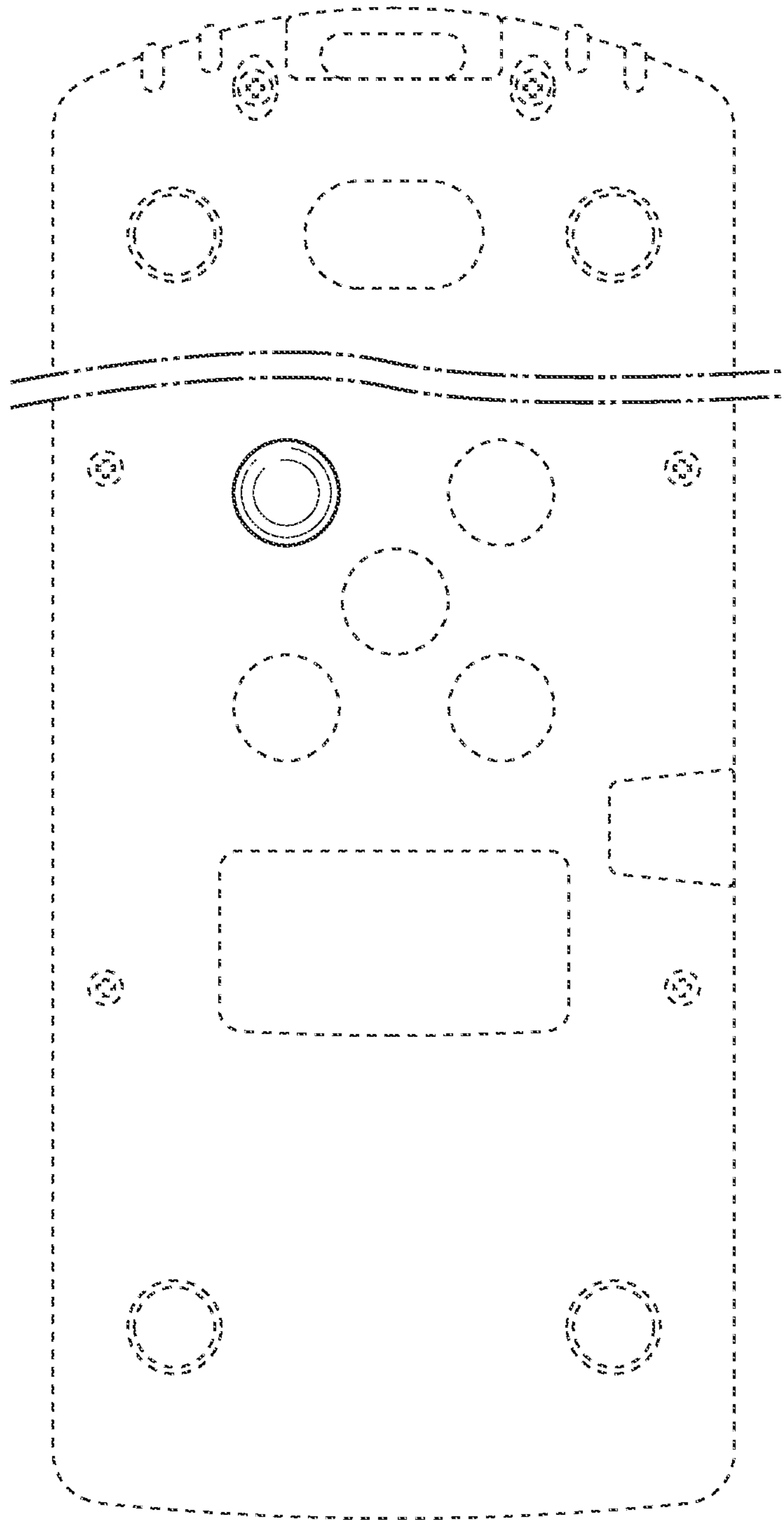


FIG. 22

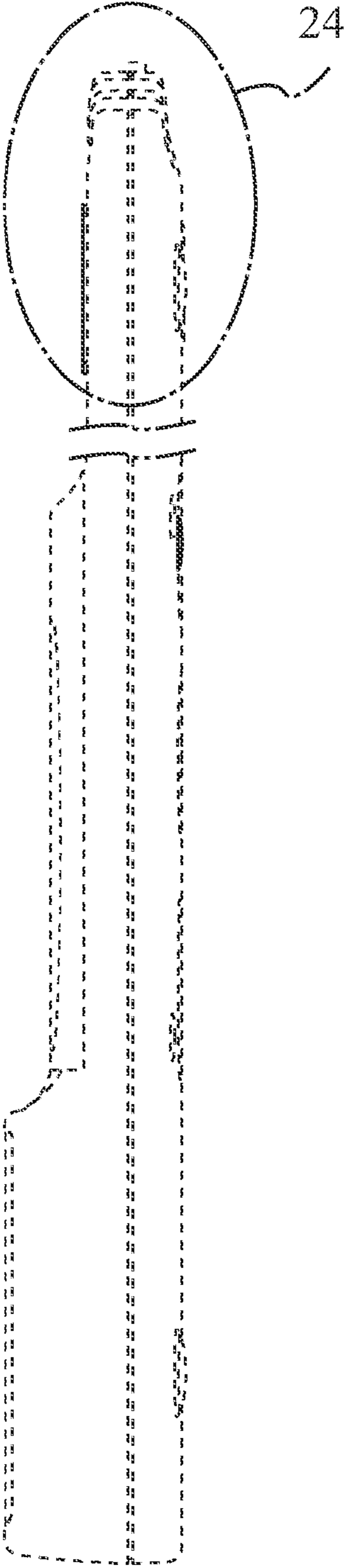


FIG. 23

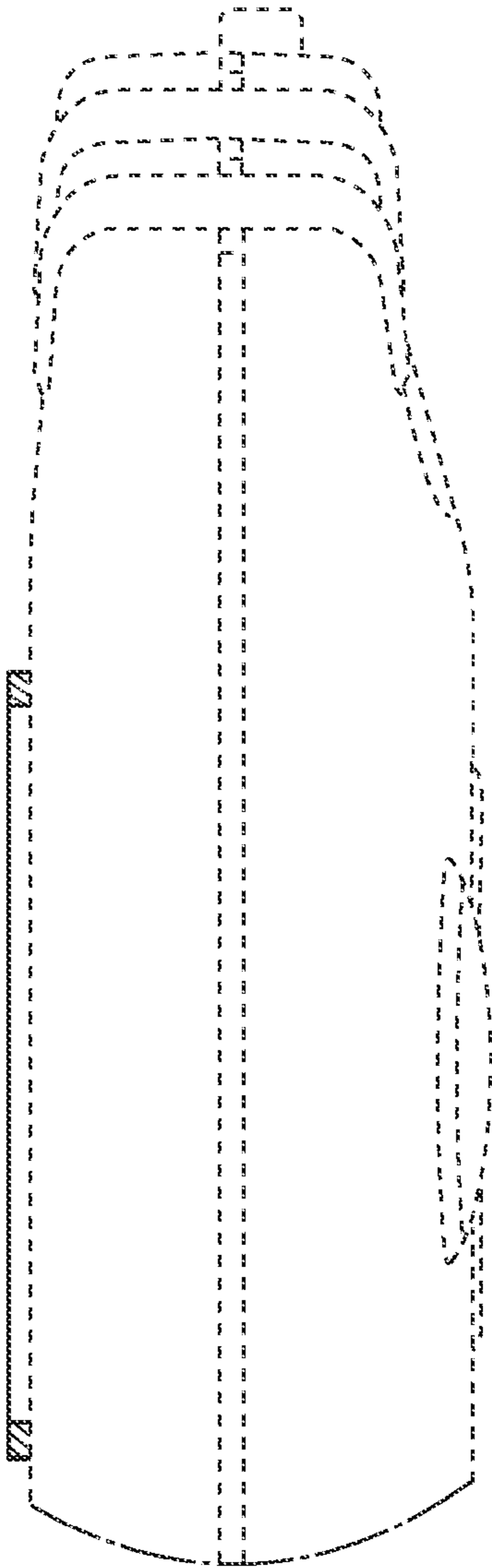


FIG. 24

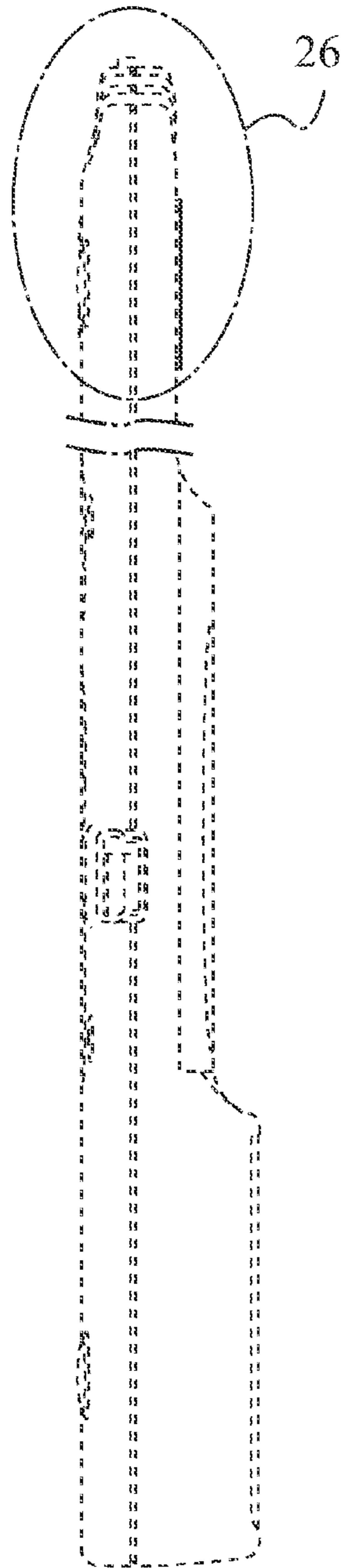


FIG. 25

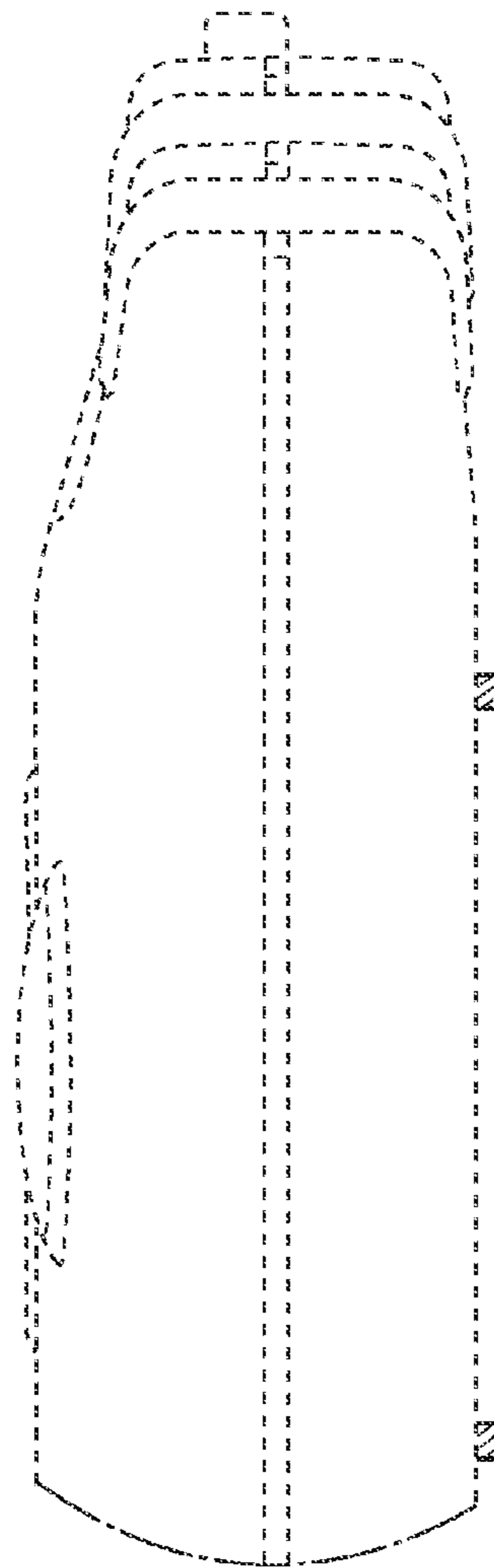


FIG. 26

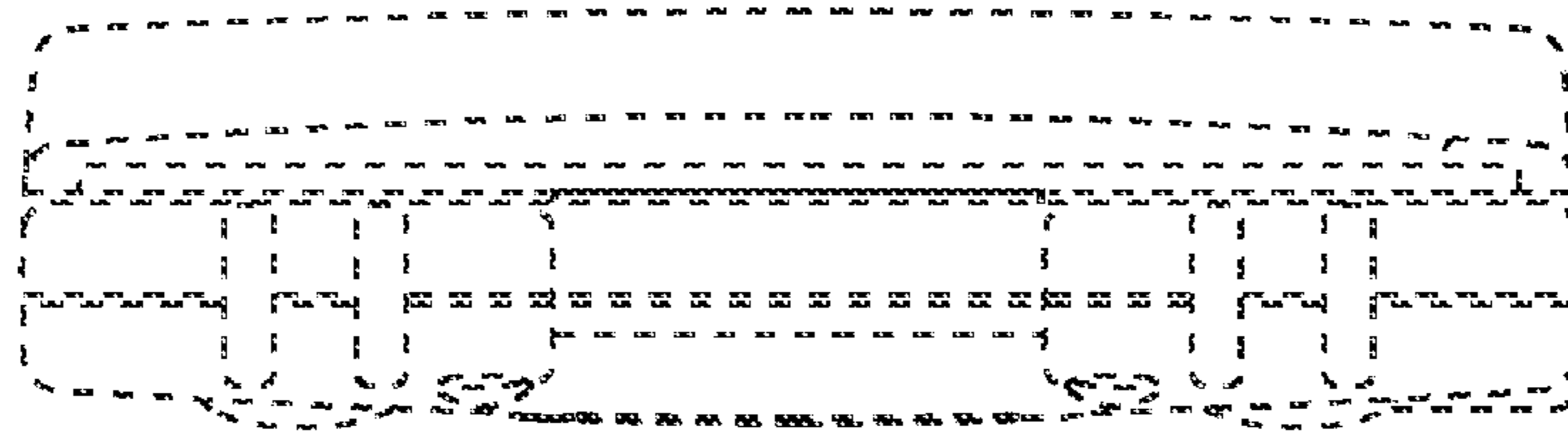


FIG. 27

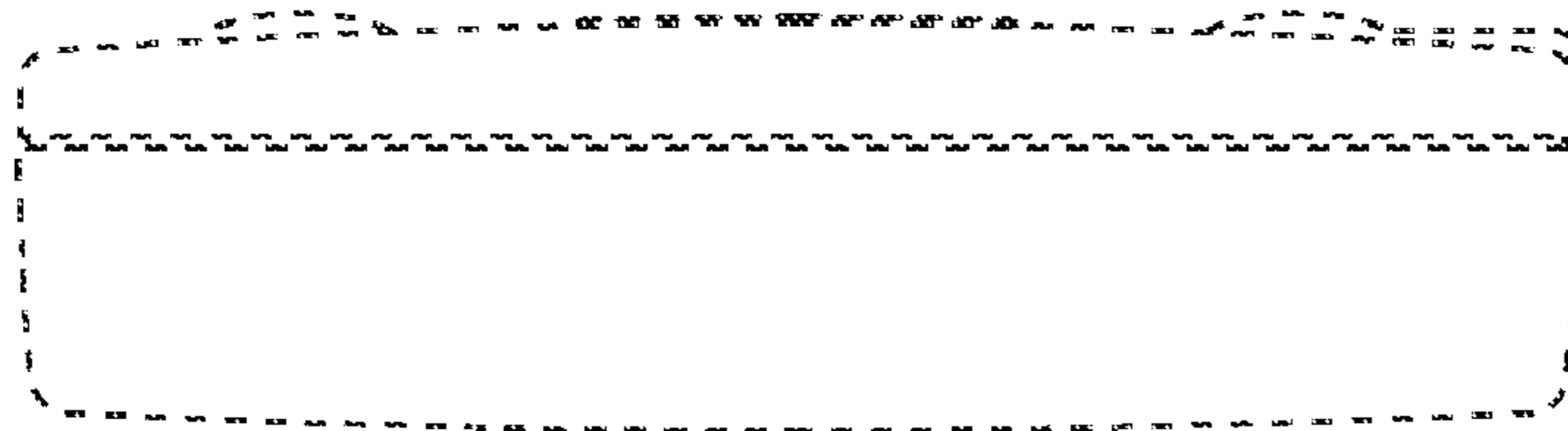


FIG. 28

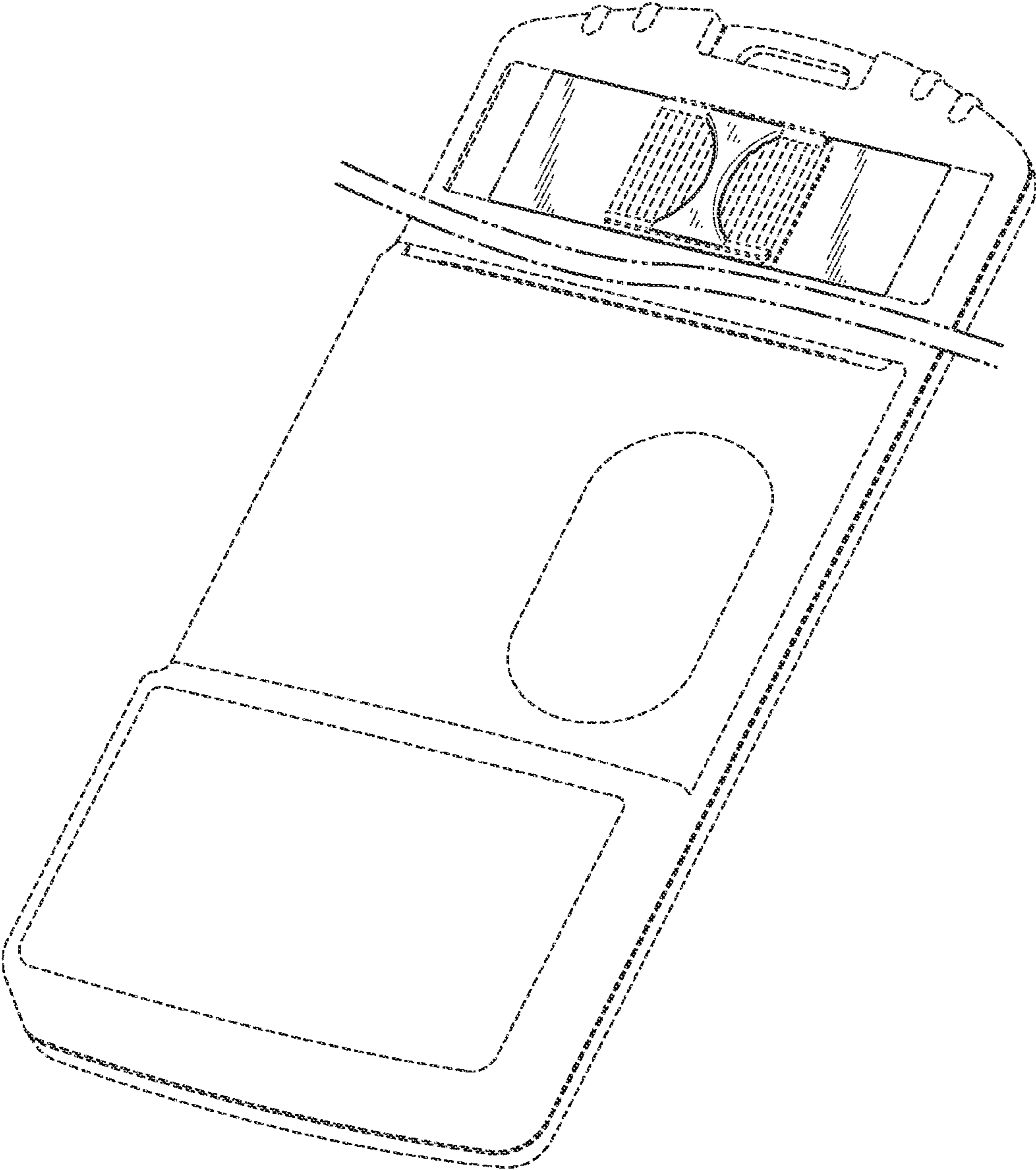


FIG. 29

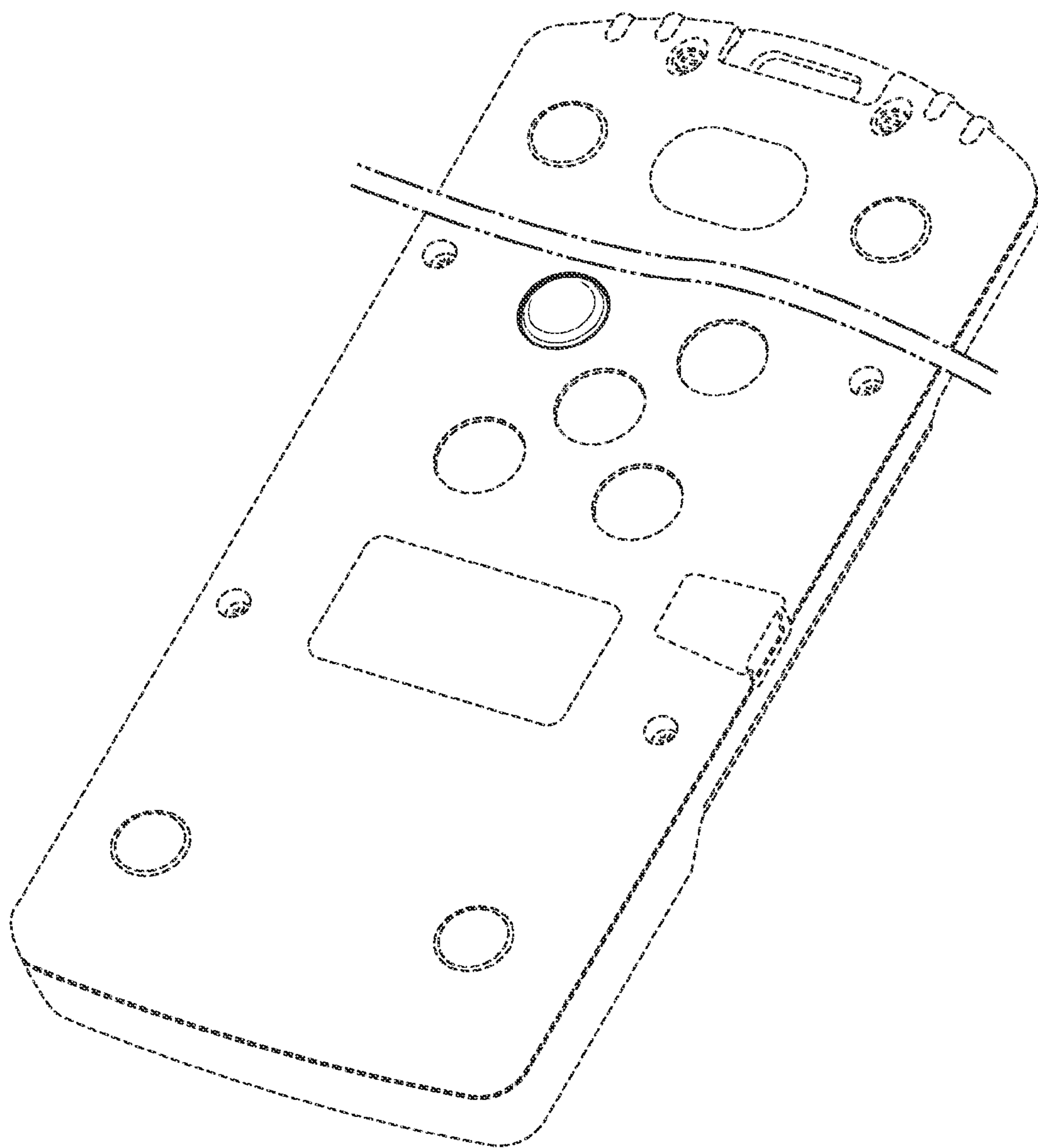


FIG. 30

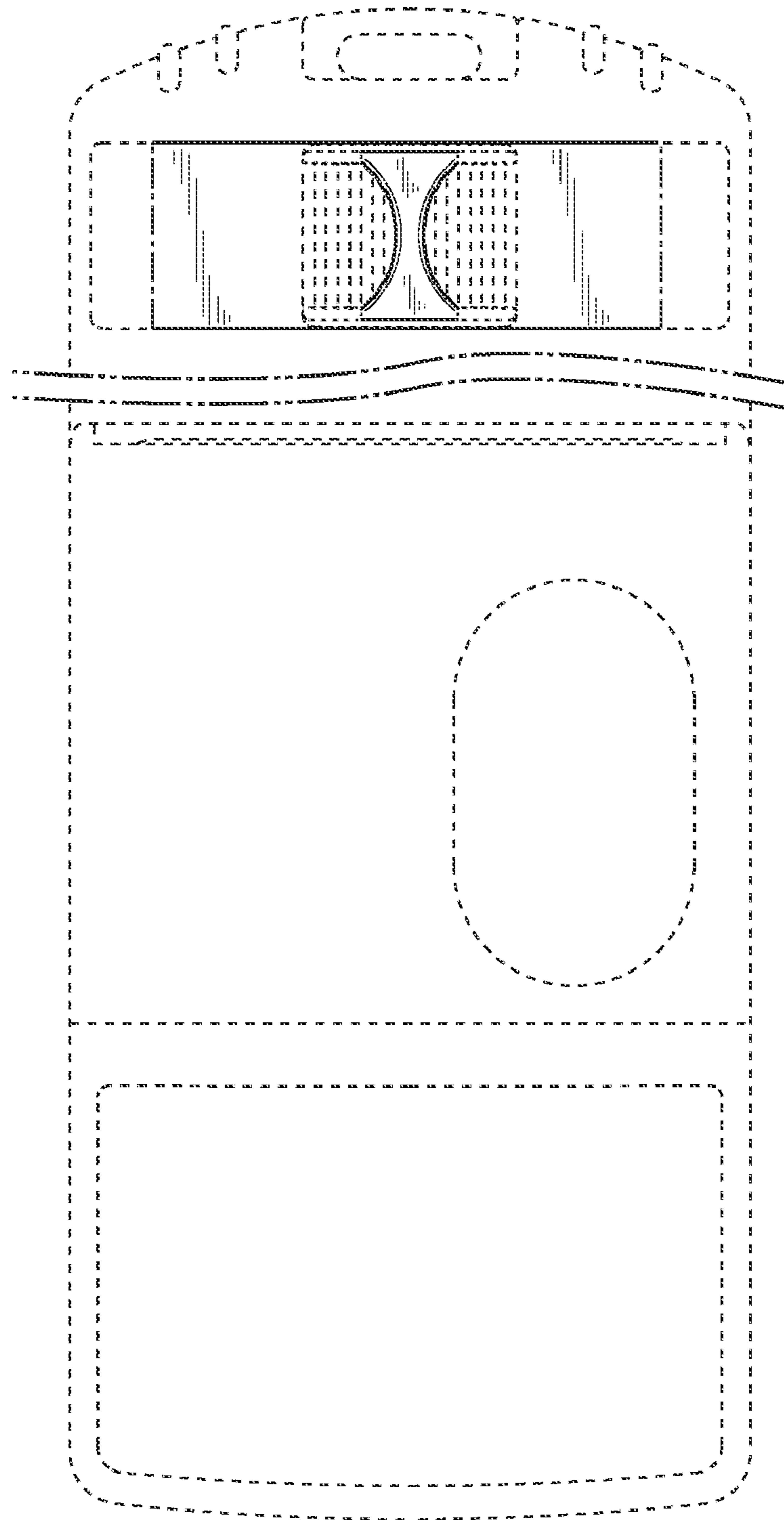


FIG. 31

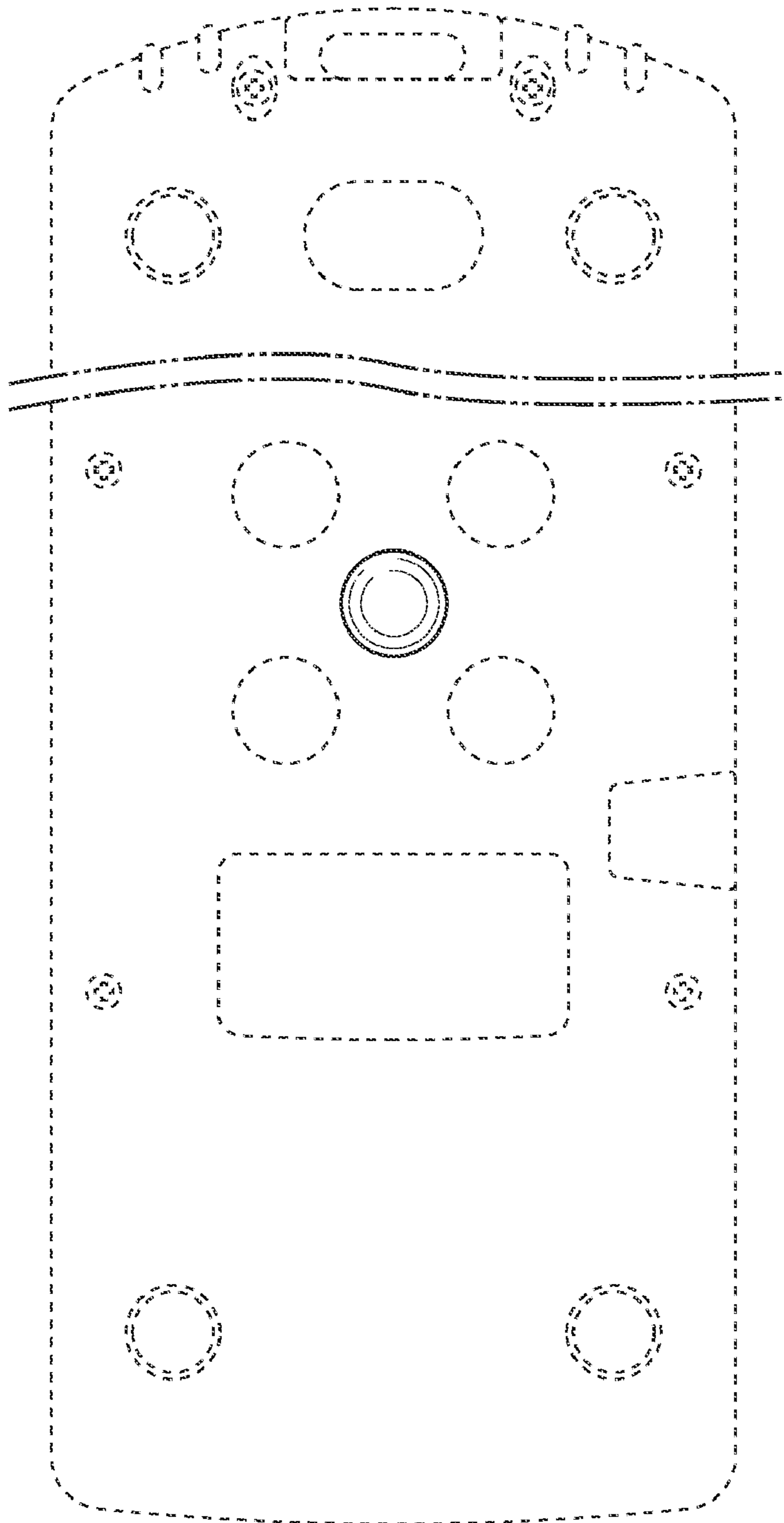


FIG. 32

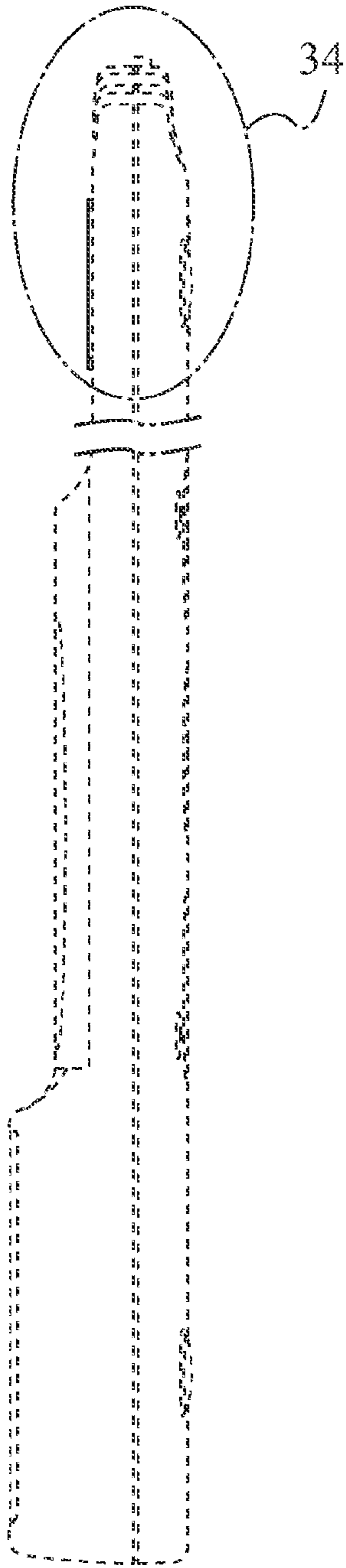


FIG. 33

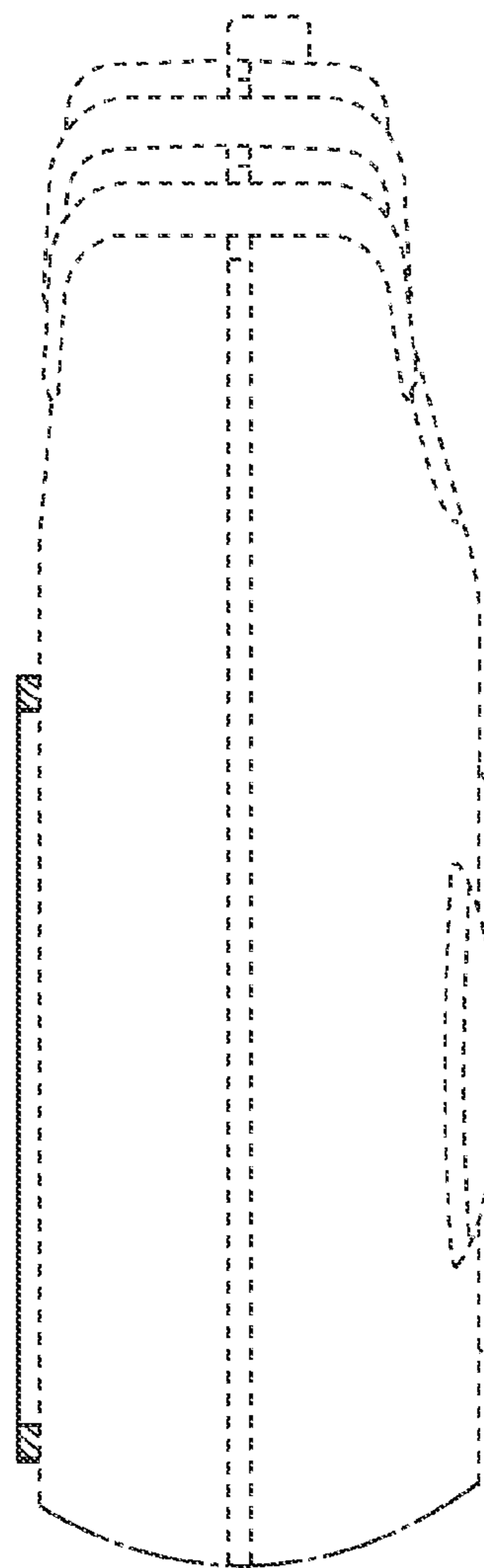


FIG. 34

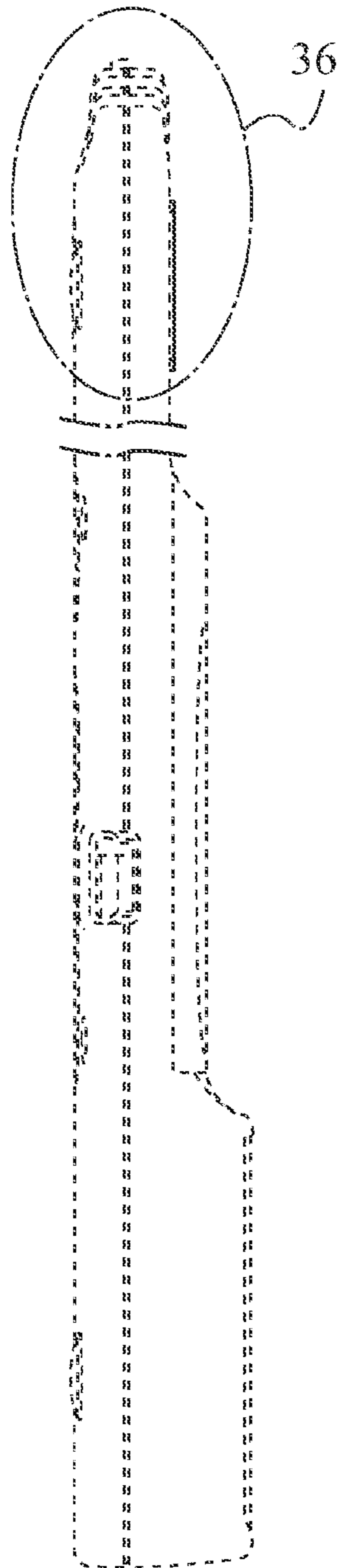


FIG. 35

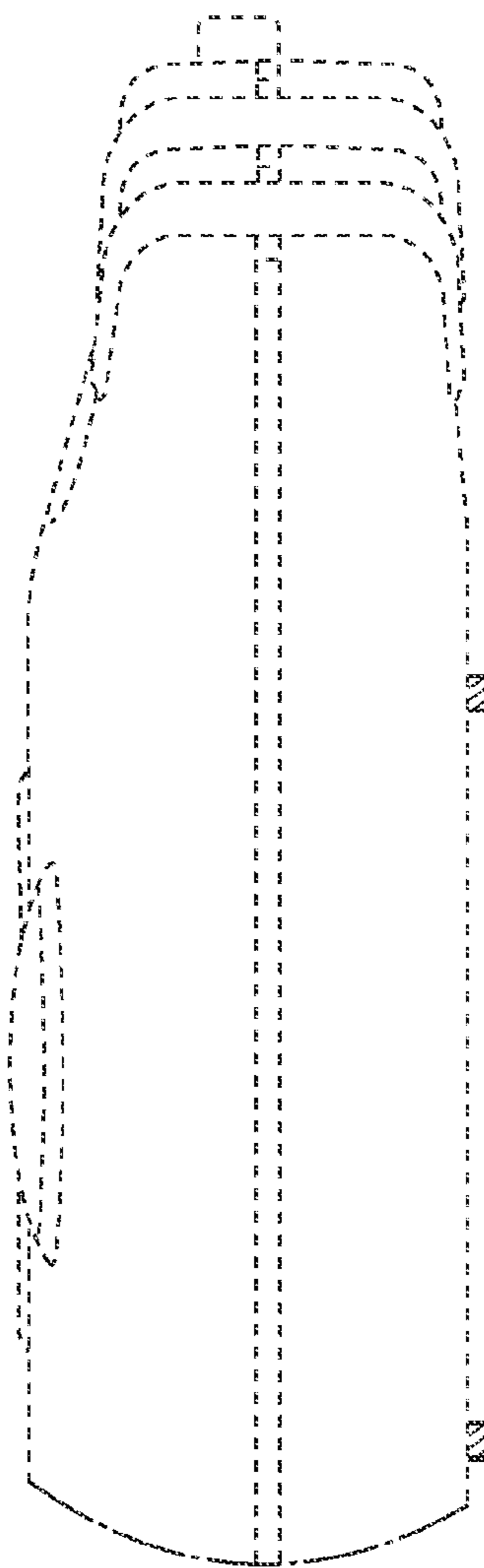


FIG. 36

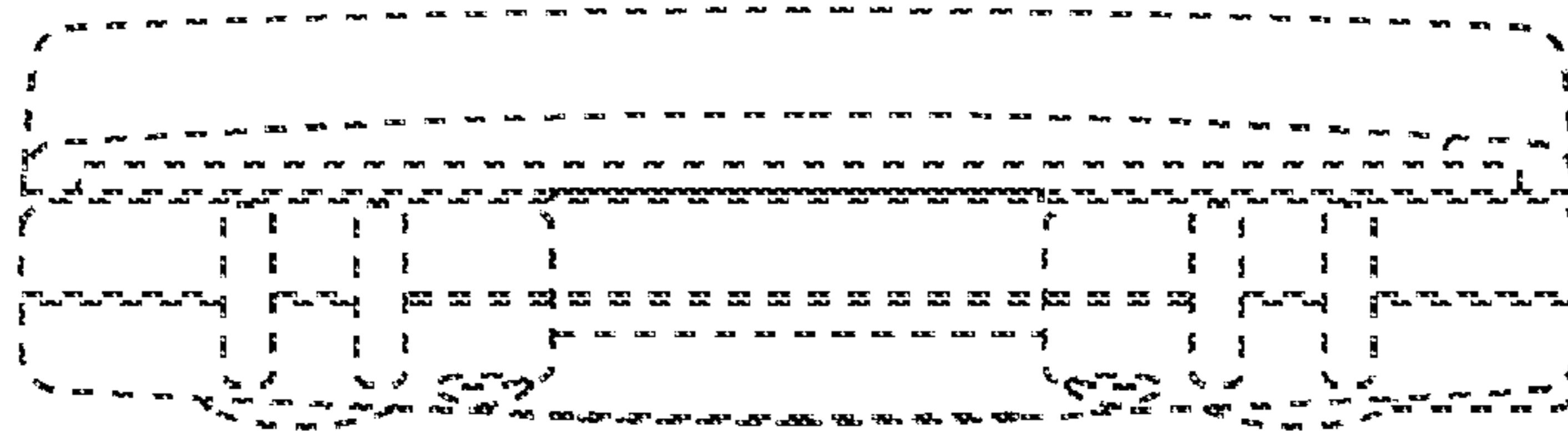


FIG. 37

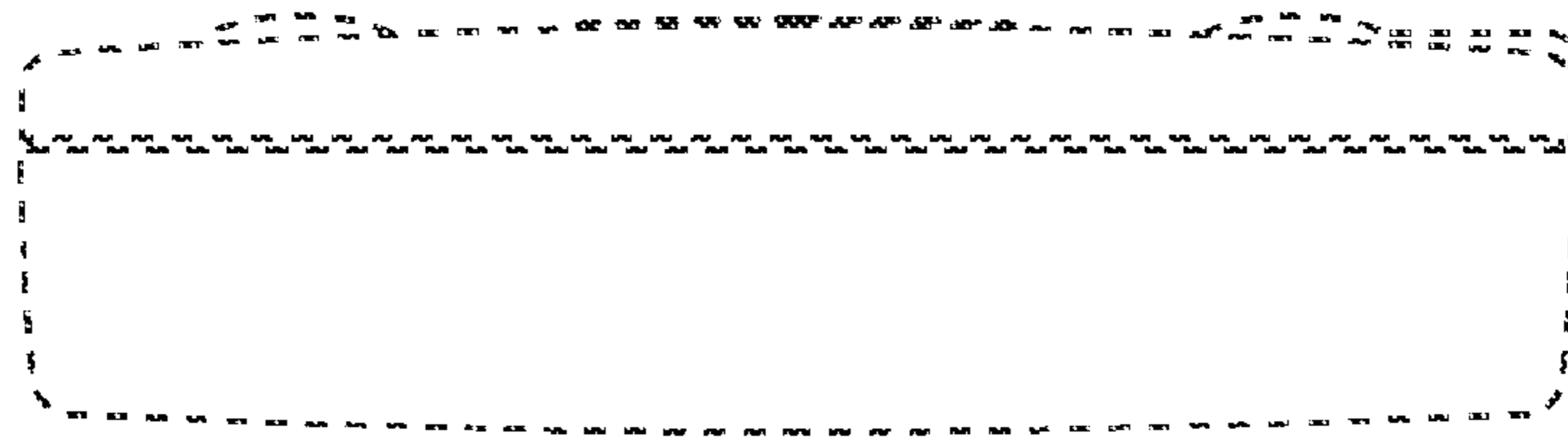


FIG. 38

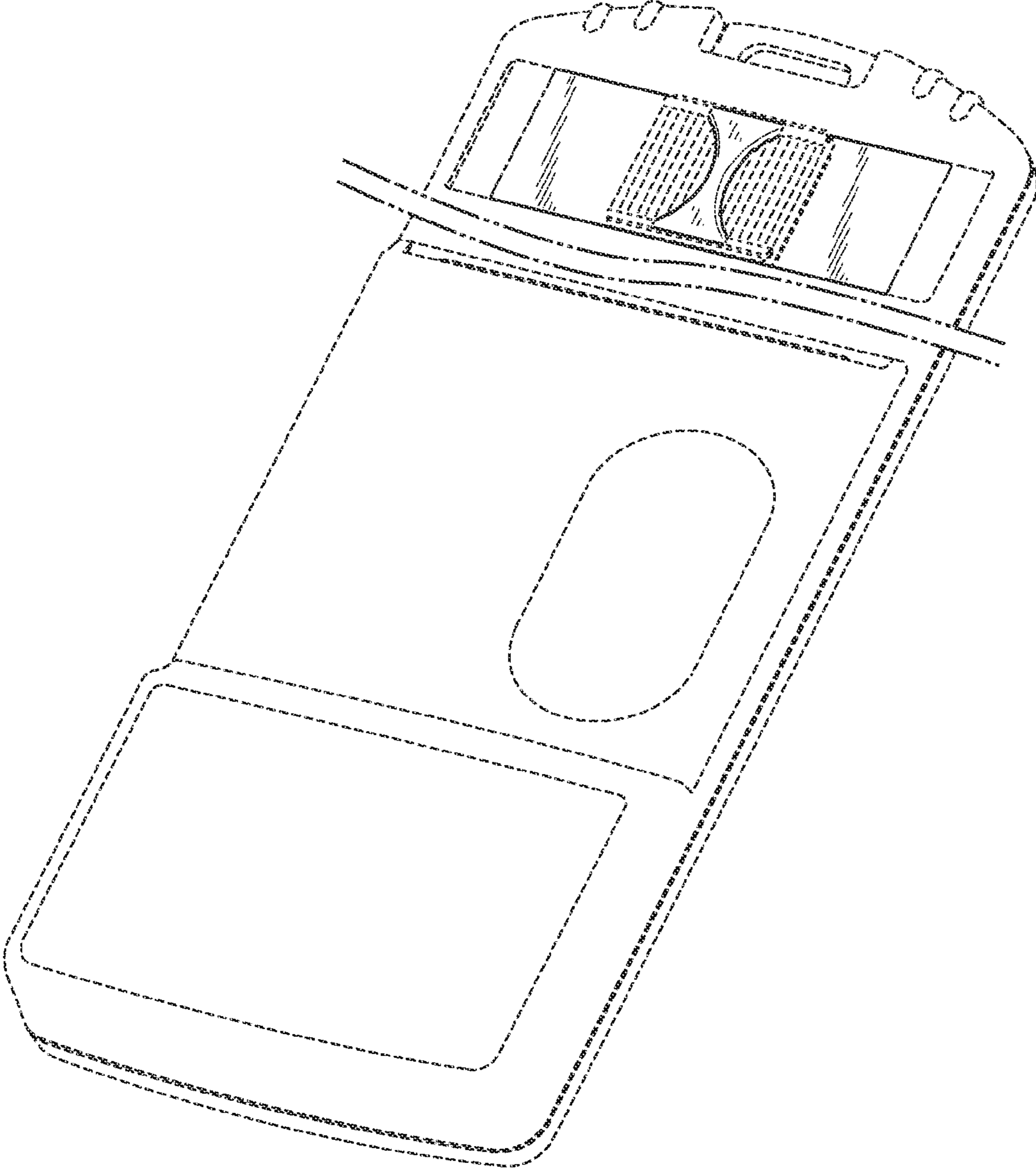


FIG. 39

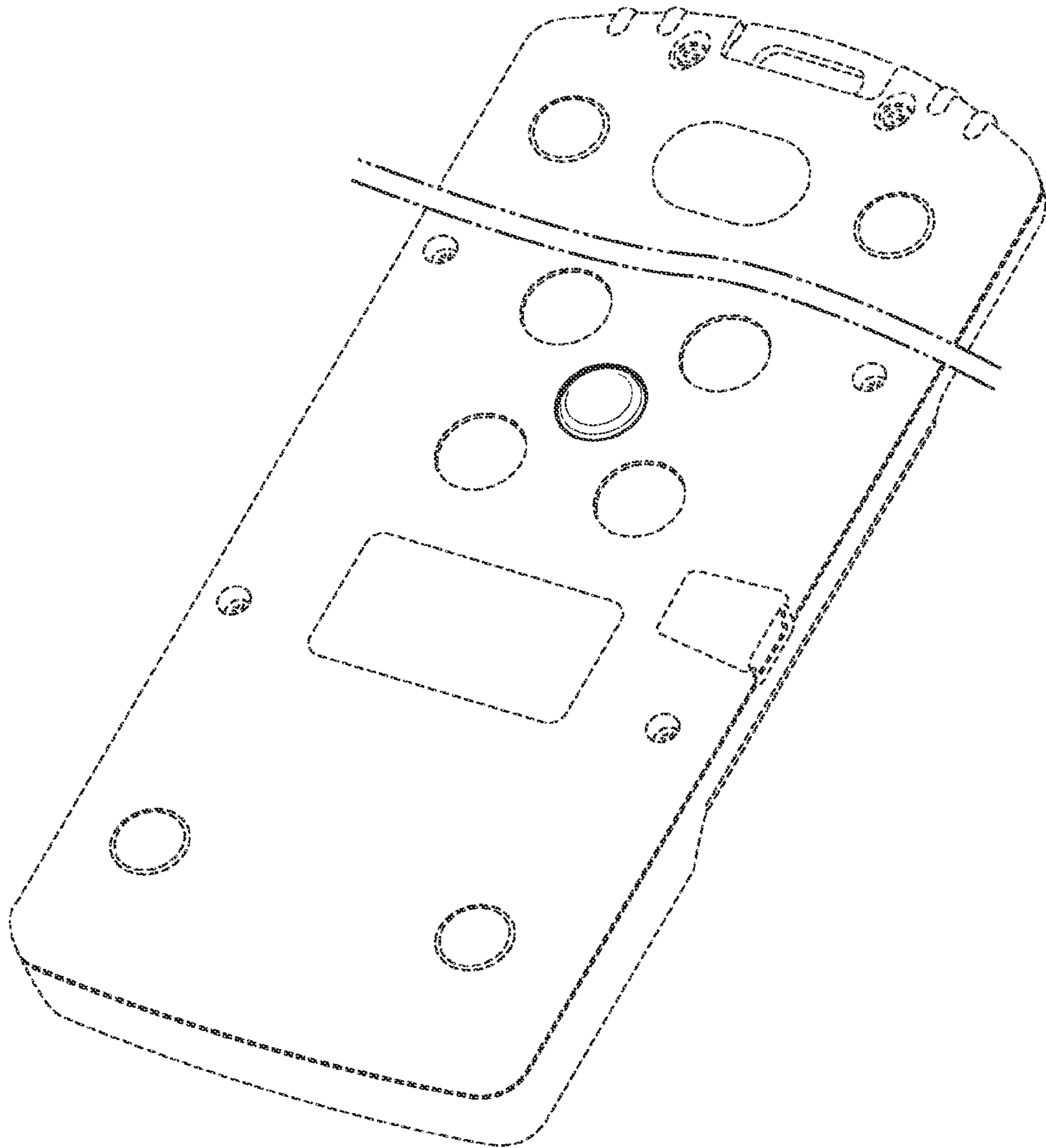


FIG. 40