



US00D628910S

(12) **United States Design Patent**
Giannini

(10) **Patent No.:** **US D628,910 S**
(45) **Date of Patent:** **** Dec. 14, 2010**

(54) **WRISTWATCH**

(75) Inventor: **Frida Giannini**, Florence (IT)

(73) Assignee: **Luxury Timepieces International SA**,
Cortailod (CH)

(**) Term: **14 Years**

(21) Appl. No.: **29/360,925**

(22) Filed: **May 3, 2010**

(30) **Foreign Application Priority Data**

Nov. 2, 2009 (CH) 136448

(51) **LOC (9) Cl.** **10-02**

(52) **U.S. Cl.** **D10/32**

(58) **Field of Classification Search** D10/30-39;
368/276, 281, 282, 285; D11/3, 12
See application file for complete search history.

(56) **References Cited**

U.S. PATENT DOCUMENTS

D80,359 S *	1/1930	Conant	D10/38
D351,799 S *	10/1994	Bulgari	D10/39
D358,554 S *	5/1995	Helleu	D10/32
D375,053 S *	10/1996	Voegeli	D10/30
D389,751 S *	1/1998	Wunderman	D10/32
D398,542 S *	9/1998	Wunderman	D10/32
D400,448 S *	11/1998	Wunderman	D10/32
D407,334 S *	3/1999	Stoll	D10/32
D414,706 S *	10/1999	Jorst	D10/32
D432,028 S *	10/2000	Burgener	D10/32
D440,886 S *	4/2001	Burgener	D10/32
D444,715 S *	7/2001	Gueit	D10/32
D462,278 S *	9/2002	Wunderman	D10/32
D462,280 S *	9/2002	Cheng	D10/39
D475,934 S *	6/2003	Bulgari	D10/30
D484,814 S *	1/2004	Sugiura	D10/32

D515,944 S *	2/2006	Ohki	D10/32
D528,442 S *	9/2006	Bedat	D10/39
D532,319 S *	11/2006	Bedat	D10/32
D533,087 S *	12/2006	Arabo	D10/38
D537,738 S *	3/2007	Ohki et al.	D10/32
D539,671 S *	4/2007	Lassigne	D10/32
D542,159 S *	5/2007	Junod	D10/38
D551,097 S *	9/2007	Modolo	D10/32
D575,167 S *	2/2008	Giannini	D10/32
D567,675 S *	4/2008	Giannini	D10/31
D568,181 S *	5/2008	Rabassa	D10/39
D578,900 S *	10/2008	Nisembaum	D10/32
D599,681 S *	9/2009	Chen	D10/32

OTHER PUBLICATIONS

U.S. Appl. No. 29/360,922, filed May 3, 2010, Giannini.

* cited by examiner

Primary Examiner—Lucy Lieberman

(74) *Attorney, Agent, or Firm*—Oblon, Spivak, McClelland,
Maier & Neustadt, L.L.P.

(57) **CLAIM**

The ornamental design for a wristwatch, as shown and described.

DESCRIPTION

FIG. 1 is a front and right side perspective view of a wristwatch;

FIG. 2 is a front elevational view thereof;

FIG. 3 is a rear elevational view thereof;

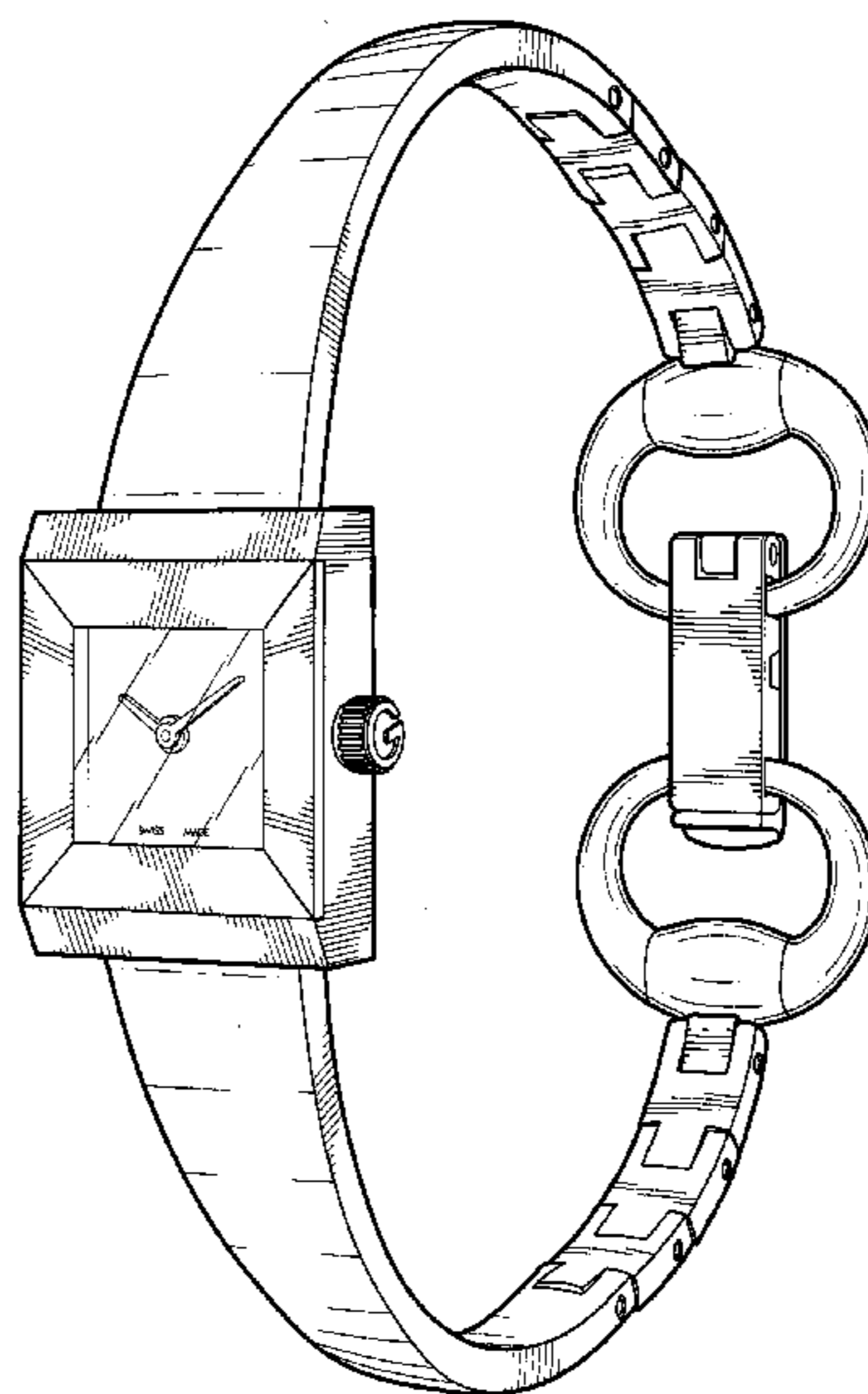
FIG. 4 is a right side view thereof;

FIG. 5 is a left side view thereof;

FIG. 6 is a bottom plan view thereof; and,

FIG. 7 is a top plan view thereof.

1 Claim, 7 Drawing Sheets



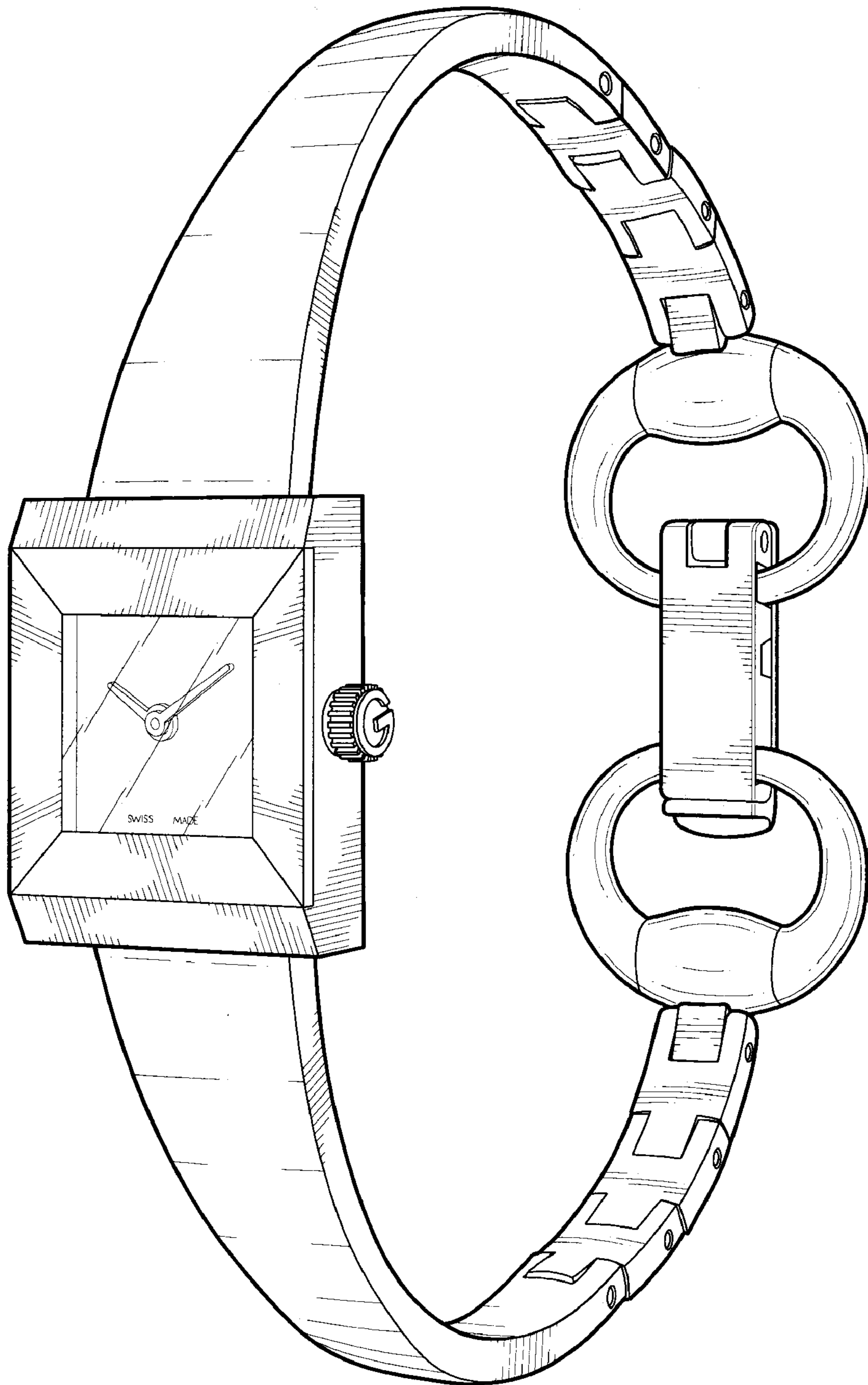


Fig. 1

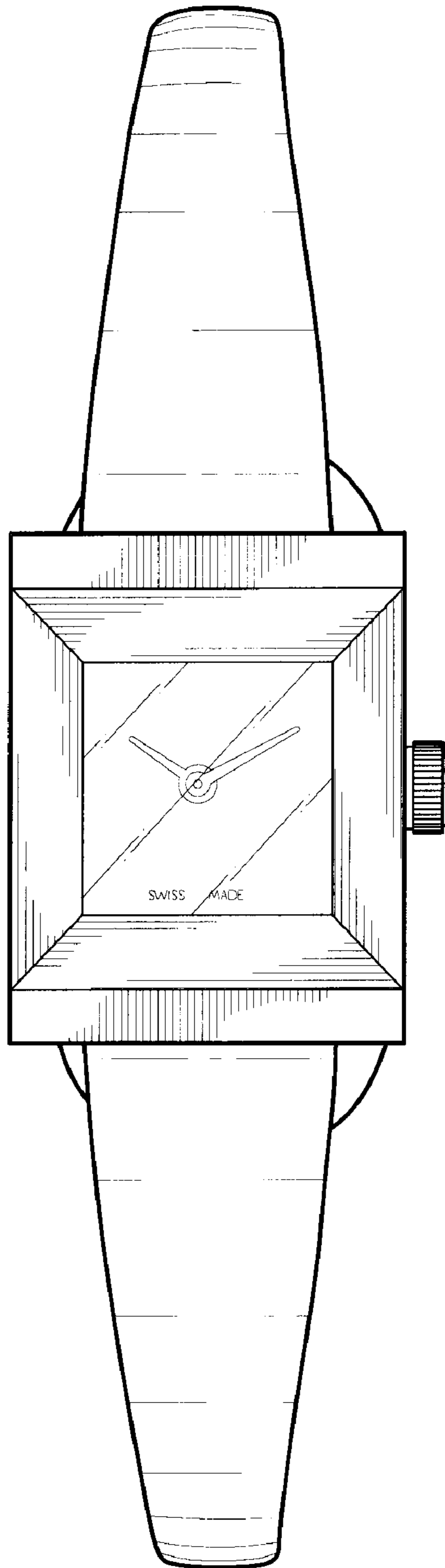


FIG. 2

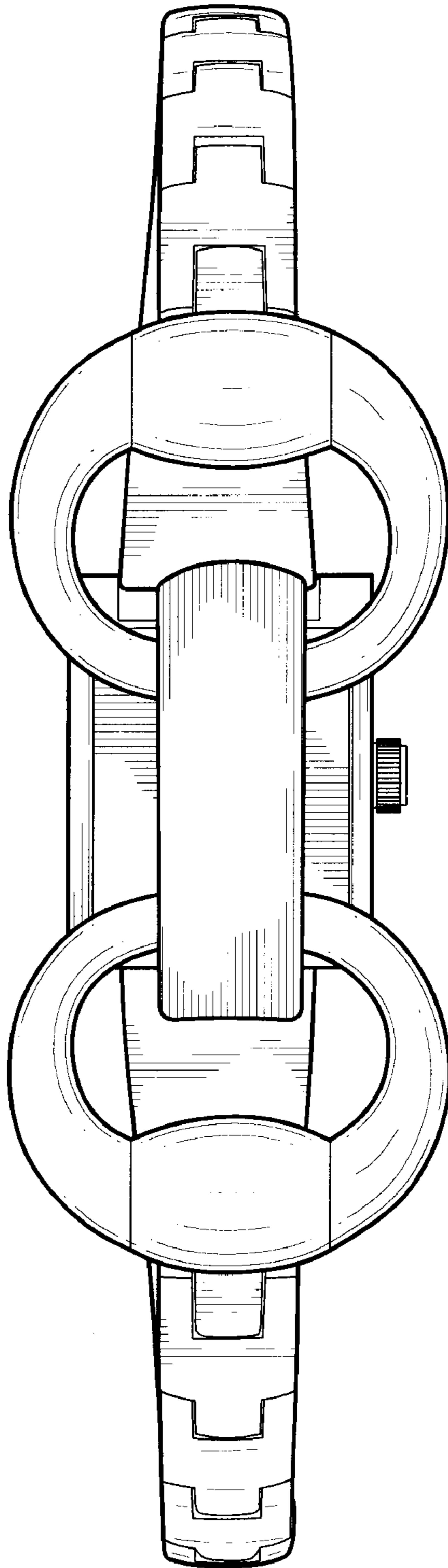


FIG.3

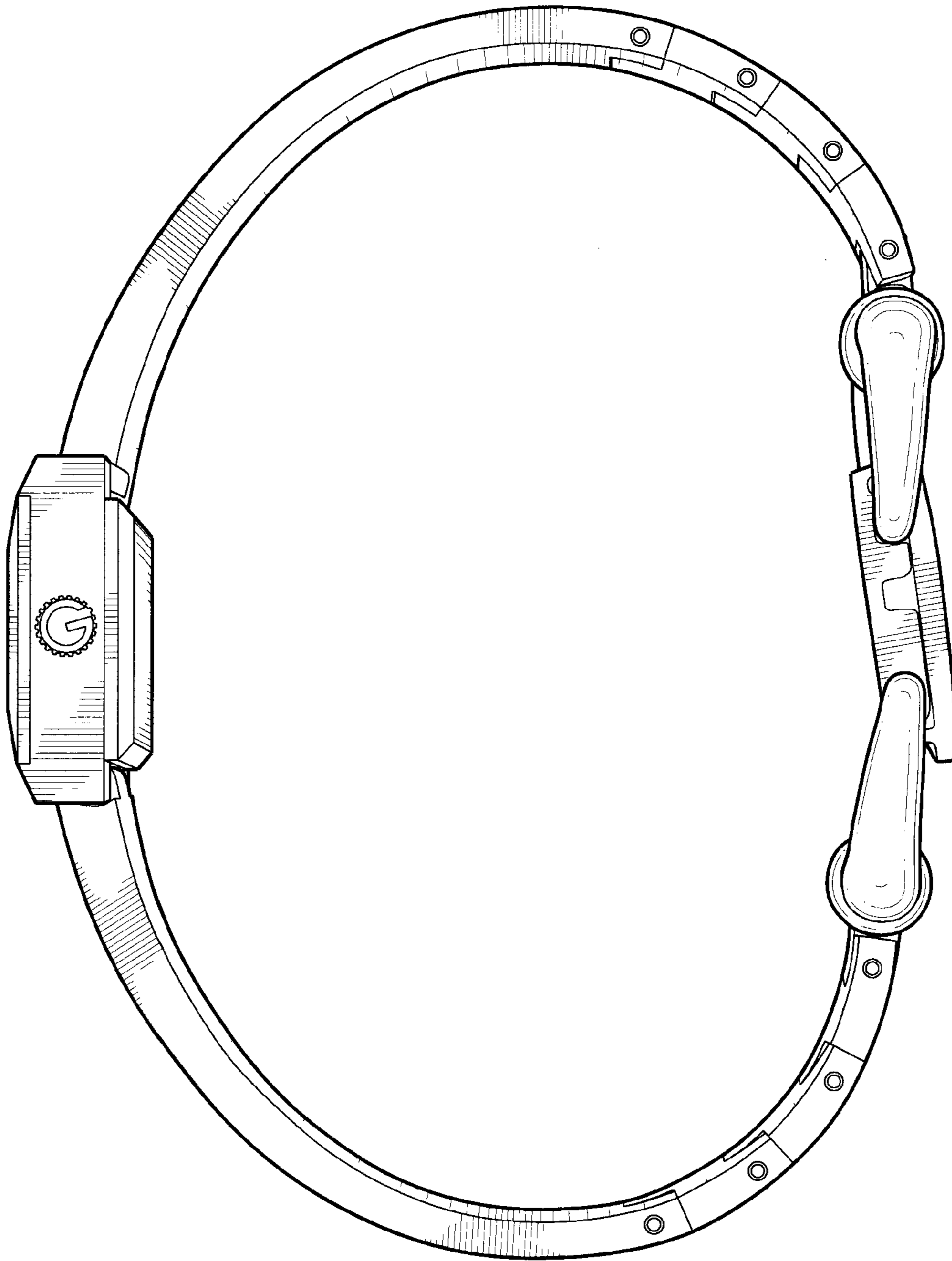


FIG. 4

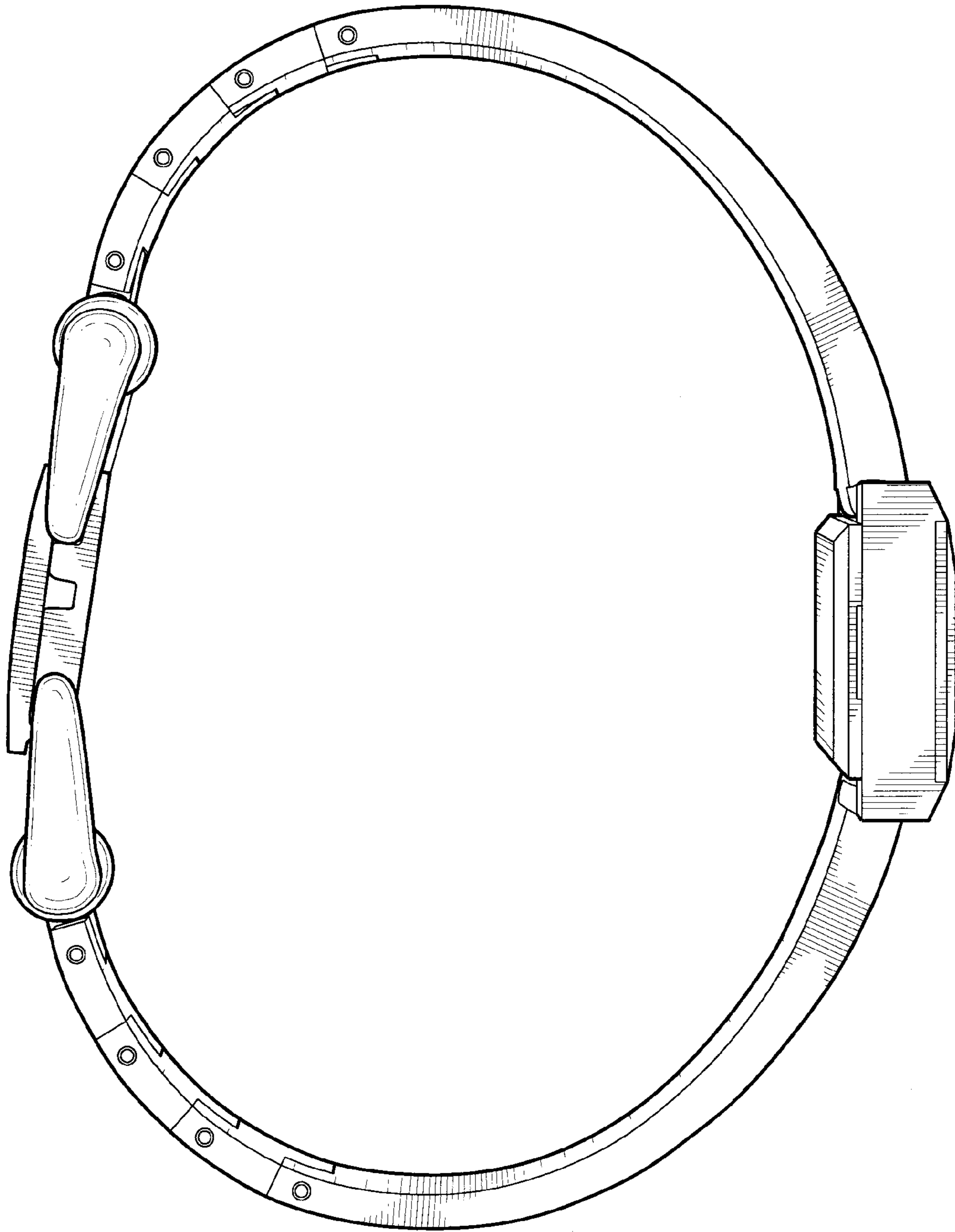


FIG.5

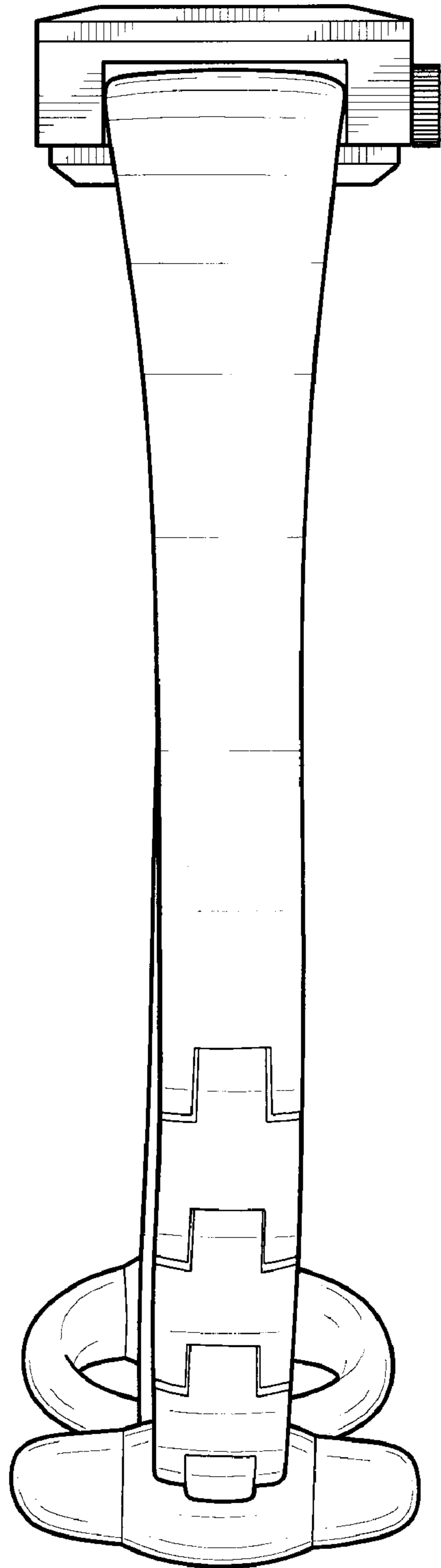


FIG. 6

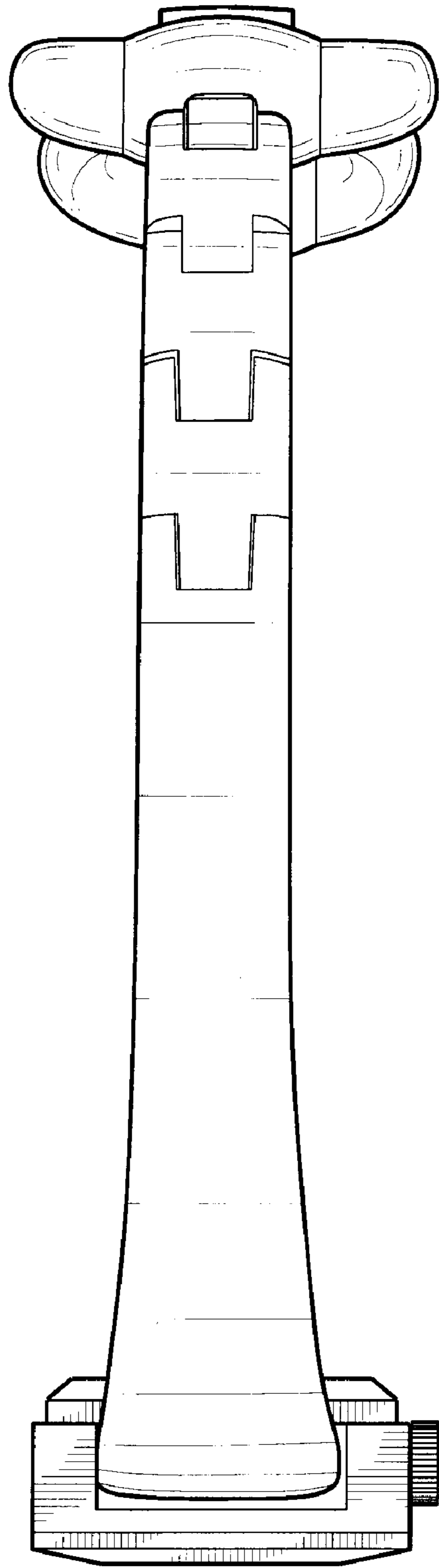


FIG. 7