



US00D628909S

(12) **United States Design Patent**  
**Giannini**

(10) **Patent No.:** **US D628,909 S**  
(45) **Date of Patent:** **\*\* Dec. 14, 2010**

(54) **WRISTWATCH**

(75) Inventor: **Frida Giannini**, Florence (IT)

(73) Assignee: **Luxury Timepieces International SA**,  
Cortailod (CH)

(\*\*) Term: **14 Years**

(21) Appl. No.: **29/360,922**

(22) Filed: **May 3, 2010**

(30) **Foreign Application Priority Data**

Nov. 2, 2009 (CH) ..... 136448

(51) **LOC (9) Cl.** ..... **10-02**

(52) **U.S. Cl.** ..... **D10/32**

(58) **Field of Classification Search** ..... D10/30-39;  
368/276, 281, 282, 285; D11/3, 12  
See application file for complete search history.

(56) **References Cited**

**U.S. PATENT DOCUMENTS**

1,701,339	A	*	2/1929	Roy	.....	24/265	R
D80,359	S	*	1/1930	Conant	.....	D10/38	
D375,053	S	*	10/1996	Voegeli	.....	D10/30	
D400,448	S	*	11/1998	Wunderman	.....	D10/32	
D407,334	S	*	3/1999	Stoll	.....	D10/32	
D432,437	S	*	10/2000	Lassigne	.....	D10/32	
D440,886	S	*	4/2001	Burgener	.....	D10/32	
D447,701	S	*	9/2001	Bodino	.....	D10/32	
D474,697	S	*	5/2003	Fu et al.	.....	D10/30	

D475,934	S	*	6/2003	Bulgari	.....	D10/30	
D515,944	S	*	2/2006	Ohki	.....	D10/32	
D532,319	S	*	11/2006	Bedat	.....	D10/32	
D537,738	S	*	3/2007	Ohki et al.	.....	D10/32	
D542,159	S	*	5/2007	Junod	.....	D10/38	
D563,801	S	*	3/2008	Holtzman	.....	D10/39	
D567,675	S	*	4/2008	Giannini	.....	D10/31	

**OTHER PUBLICATIONS**

U.S. Appl. No. 29/360,922, filed May 3, 2010, Giannini.

\* cited by examiner

*Primary Examiner*—Lucy Lieberman

(74) *Attorney, Agent, or Firm*—Oblon, Spivak, McClelland,  
Maier & Neustadt, L.L.P.

(57) **CLAIM**

The ornamental design for a wristwatch, as shown and described.

**DESCRIPTION**

FIG. 1 is a front and right side perspective view of a wristwatch;

FIG. 2 is a front elevational view thereof;

FIG. 3 is a rear elevational view thereof;

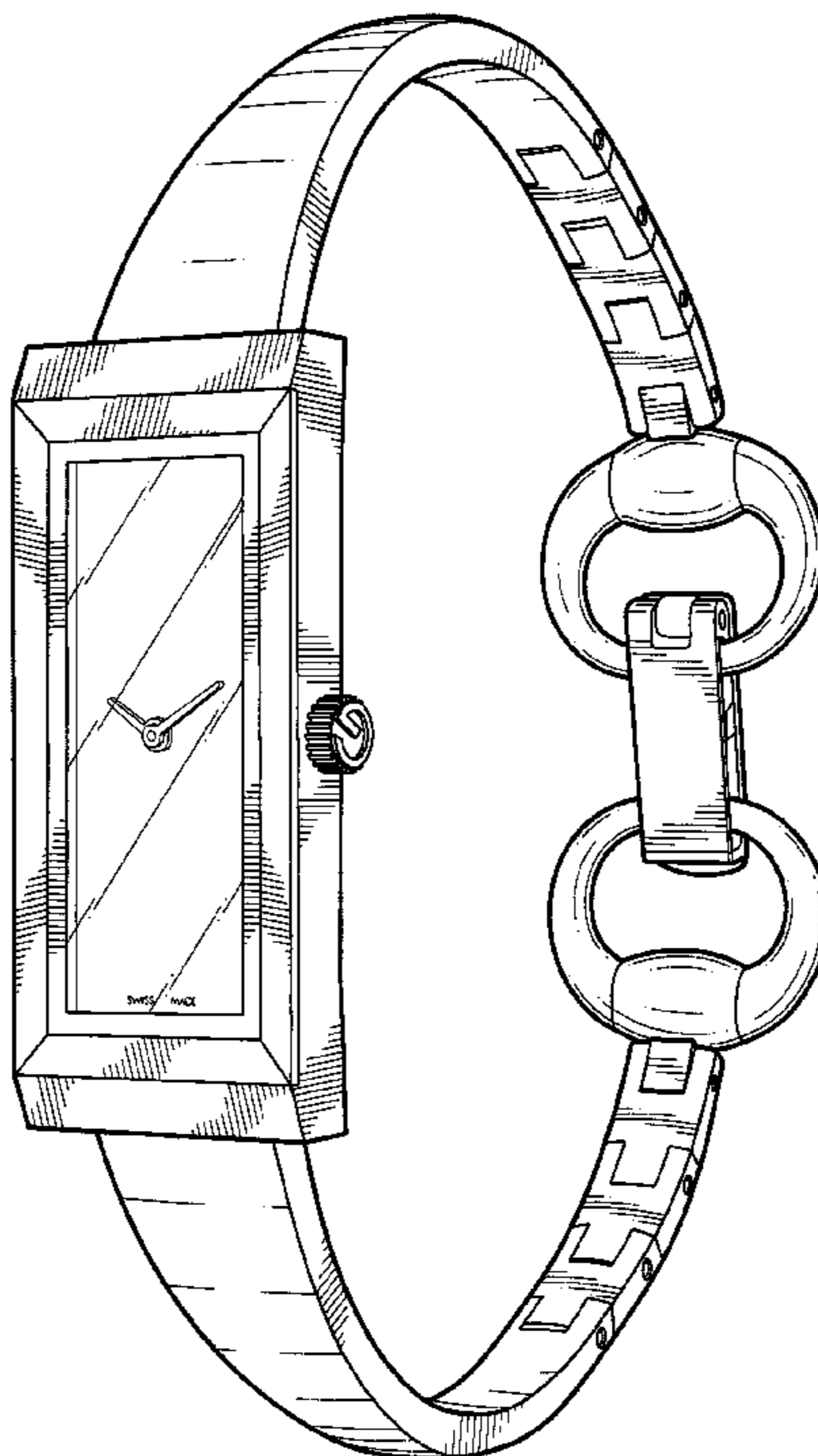
FIG. 4 is a right side view thereof;

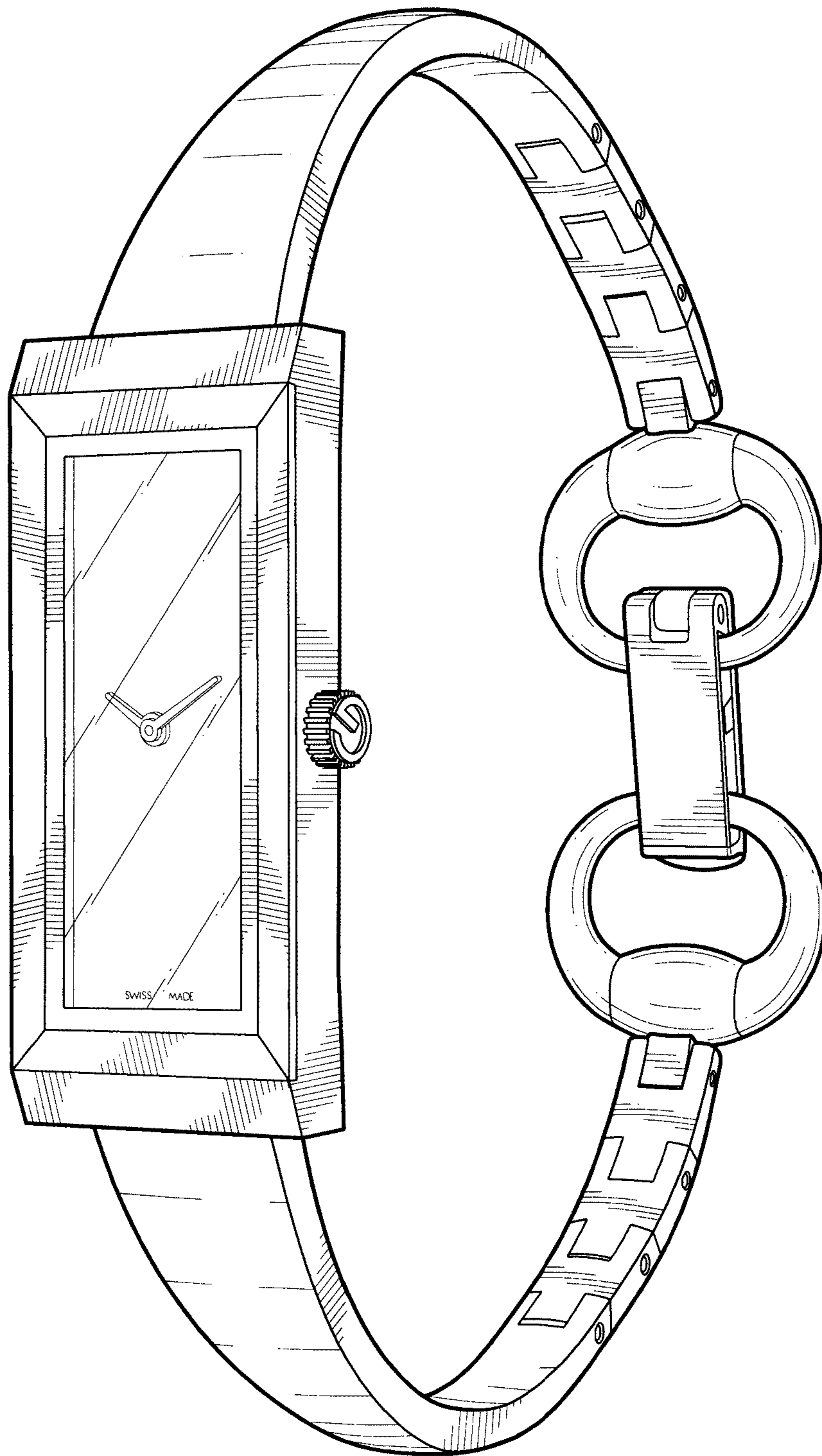
FIG. 5 is a left side view thereof;

FIG. 6 is a bottom plan view thereof; and,

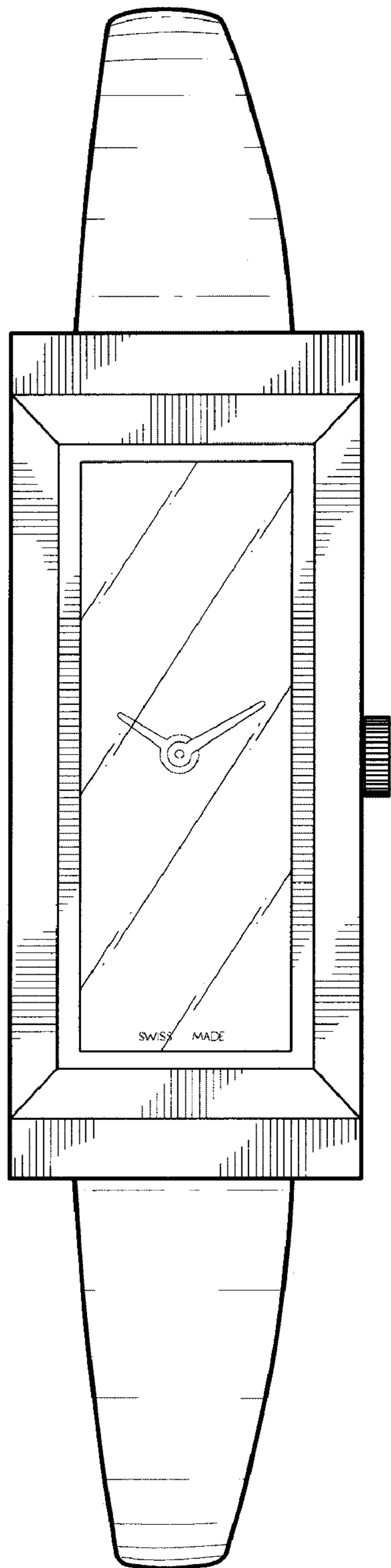
FIG. 7 is a top plan view thereof.

**1 Claim, 7 Drawing Sheets**

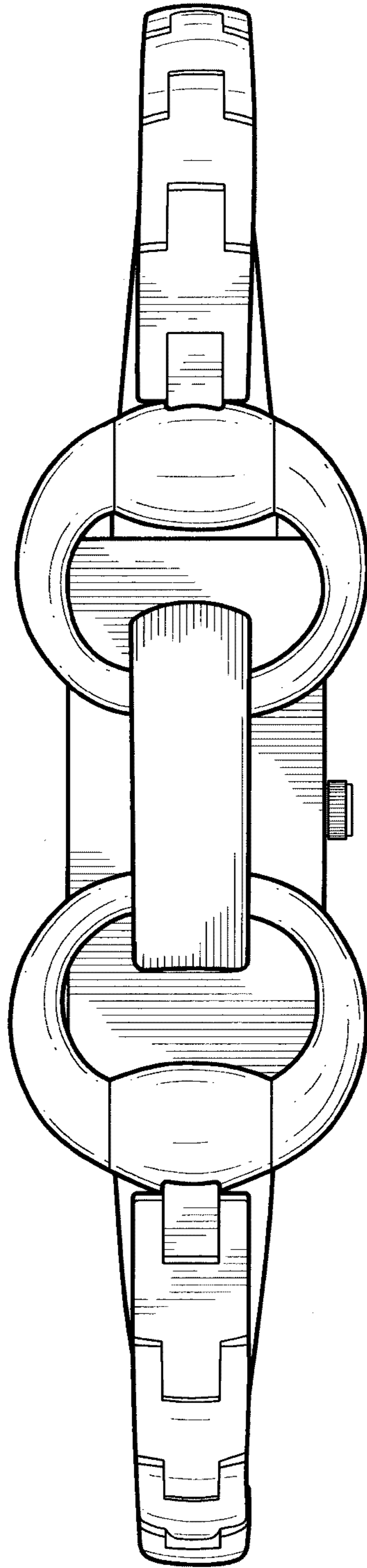




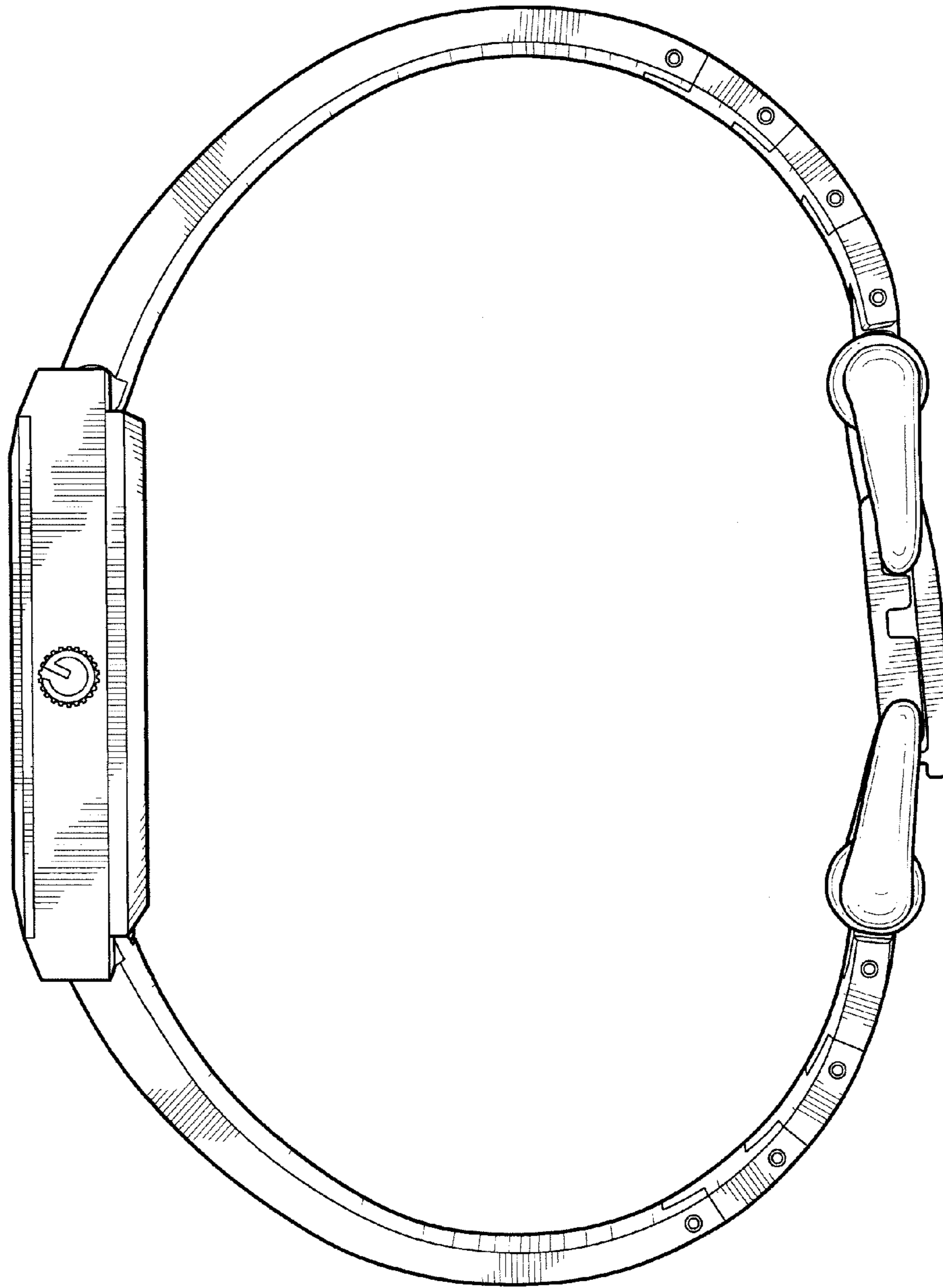
*Fig.1*



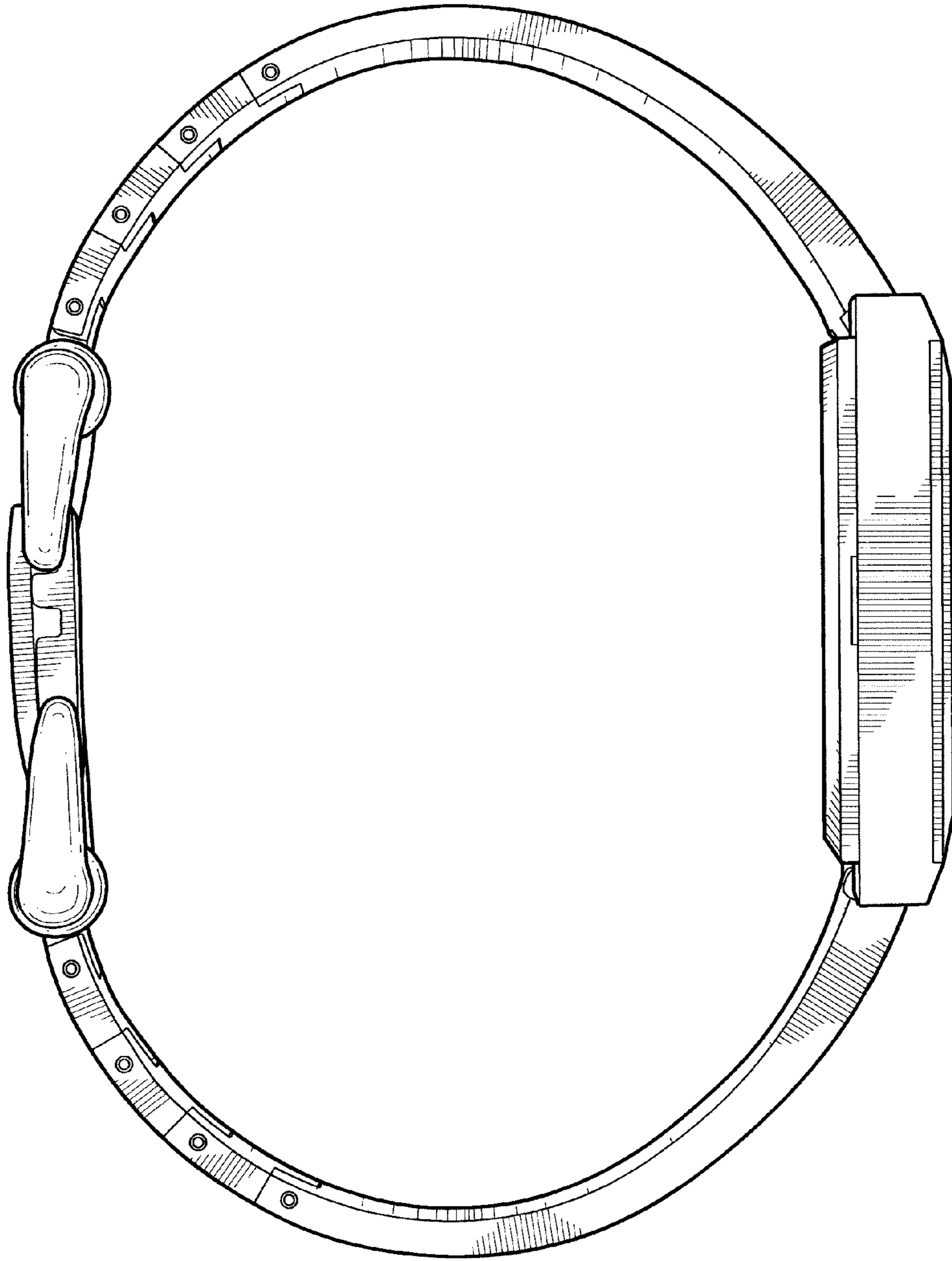
***FIG.2***



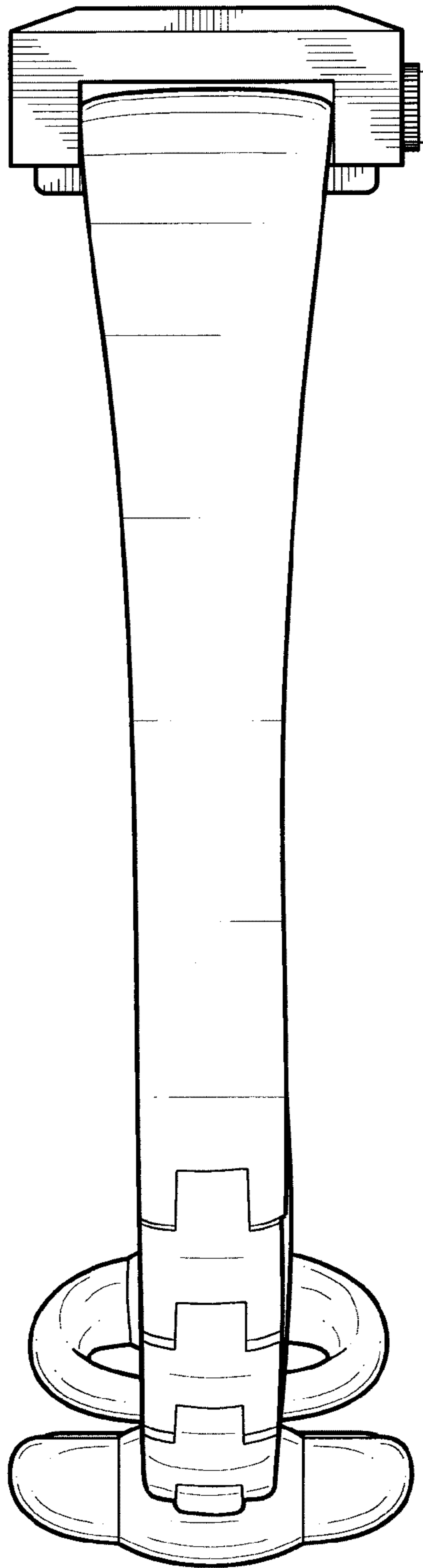
***FIG.3***



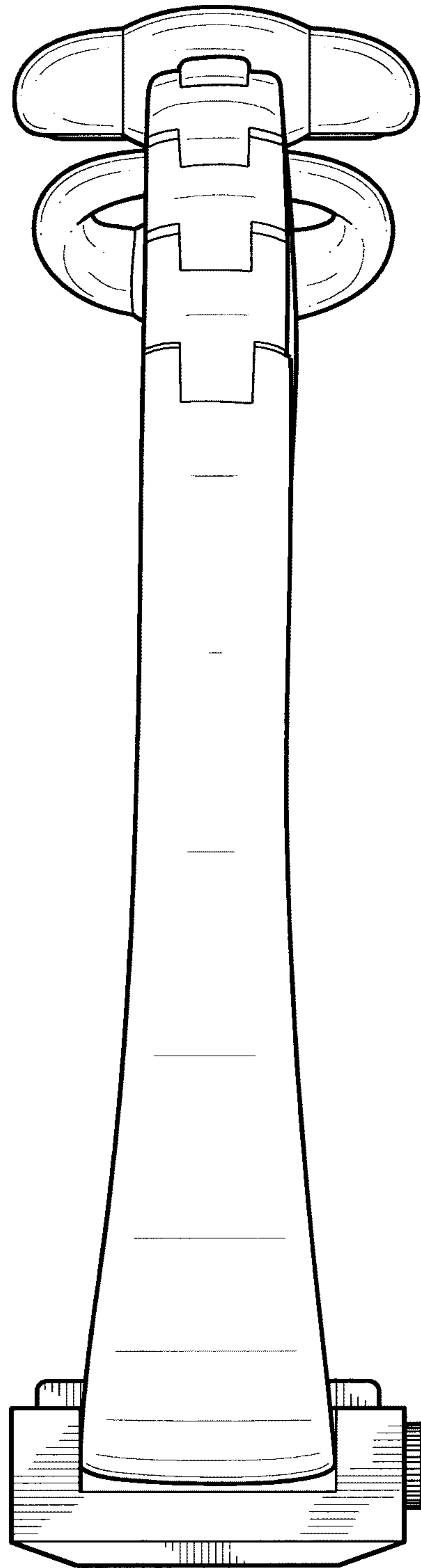
**FIG. 4**



**FIG. 5**



***FIG. 6***



***FIG. 7***