



US00D628901S

(12) **United States Design Patent**  
**Barnett et al.**

(10) **Patent No.:** **US D628,901 S**  
(45) **Date of Patent:** **\*\* Dec. 14, 2010**

(54) **SPRAY NOZZLE**

(75) Inventors: **Seth N. Barnett**, Oceanside, NY (US);  
**Jocelyn Yuan**, Hartsdale, NY (US)

(73) Assignee: **Medtech Products, Inc.**, Irvington, NY (US)

(\*\*) Term: **14 Years**

(21) Appl. No.: **29/356,114**

(22) Filed: **Feb. 19, 2010**

(51) **LOC (9) Cl.** ..... **09-01**

(52) **U.S. Cl.** ..... **D9/682; D9/448**

(58) **Field of Classification Search** ..... D23/213,  
D23/225; D9/448, 682, 685; 239/332, 333;  
222/153.11–153.14

See application file for complete search history.

(56) **References Cited**

**U.S. PATENT DOCUMENTS**

|           |     |         |                 |            |
|-----------|-----|---------|-----------------|------------|
| 3,804,296 | A   | 4/1974  | Webster         |            |
| 3,843,030 | A   | 10/1974 | Micallef        |            |
| 3,961,756 | A   | 6/1976  | Martini         |            |
| 3,967,765 | A   | 7/1976  | Micallef        |            |
| 3,994,442 | A   | 11/1976 | Hoening         |            |
| 4,020,982 | A   | 5/1977  | Micallef        |            |
| 4,065,037 | A * | 12/1977 | Haller          | 222/153.02 |
| 4,189,064 | A   | 2/1980  | O'Neill et al.  |            |
| 4,212,332 | A   | 7/1980  | Kutik et al.    |            |
| 4,234,128 | A   | 11/1980 | Quinn et al.    |            |
| 4,247,048 | A   | 1/1981  | Hayes           |            |
| 4,358,057 | A   | 11/1982 | Burke           |            |
| 4,365,751 | A   | 12/1982 | Saito et al.    |            |
| 4,516,695 | A   | 5/1985  | Garneau         |            |
| 4,690,312 | A   | 9/1987  | Crapser et al.  |            |
| 4,706,888 | A   | 11/1987 | Dobbs           |            |
| 4,890,792 | A   | 1/1990  | Martin et al.   |            |
| D314,916  | S * | 2/1991  | Brooks          | D9/448     |
| 5,088,628 | A   | 2/1992  | Knickerbocker   |            |
| 5,152,463 | A   | 10/1992 | Mao et al.      |            |
| 5,234,166 | A   | 8/1993  | Foster et al.   |            |
| 5,261,574 | A   | 11/1993 | Jouillat et al. |            |
| 5,267,692 | A   | 12/1993 | Maas et al.     |            |

|           |     |         |                |        |
|-----------|-----|---------|----------------|--------|
| 5,337,926 | A   | 8/1994  | Drobish et al. |        |
| 5,368,234 | A   | 11/1994 | Foster et al.  |        |
| 5,411,185 | A   | 5/1995  | Drobish        |        |
| D367,228  | S * | 2/1996  | Woods          | D9/448 |
| 5,499,766 | A   | 3/1996  | Foster et al.  |        |
| 5,547,132 | A   | 8/1996  | Grogan         |        |
| 5,549,249 | A   | 8/1996  | Foster et al.  |        |

(Continued)

*Primary Examiner*—Robin V Webster

(74) *Attorney, Agent, or Firm*—Alston & Bird LLP

(57) **CLAIM**

The ornamental design for a spray nozzle, as shown and described.

**DESCRIPTION**

FIG. 1 is a perspective view of a spray nozzle according to our new design;

FIG. 2 is a front elevation view thereof;

FIG. 3 is a rear elevation view thereof;

FIG. 4 is a left side elevation view thereof, the right side elevation view being a mirror image;

FIG. 5 is a top plan view thereof;

FIG. 6 is a bottom plan view thereof;

FIG. 7 is an enlarged perspective view of the portion of the spray nozzle identified in FIG. 1;

FIG. 8 is a front elevation view thereof;

FIG. 9 is a left side elevation view thereof, the right side elevation view being a mirror image;

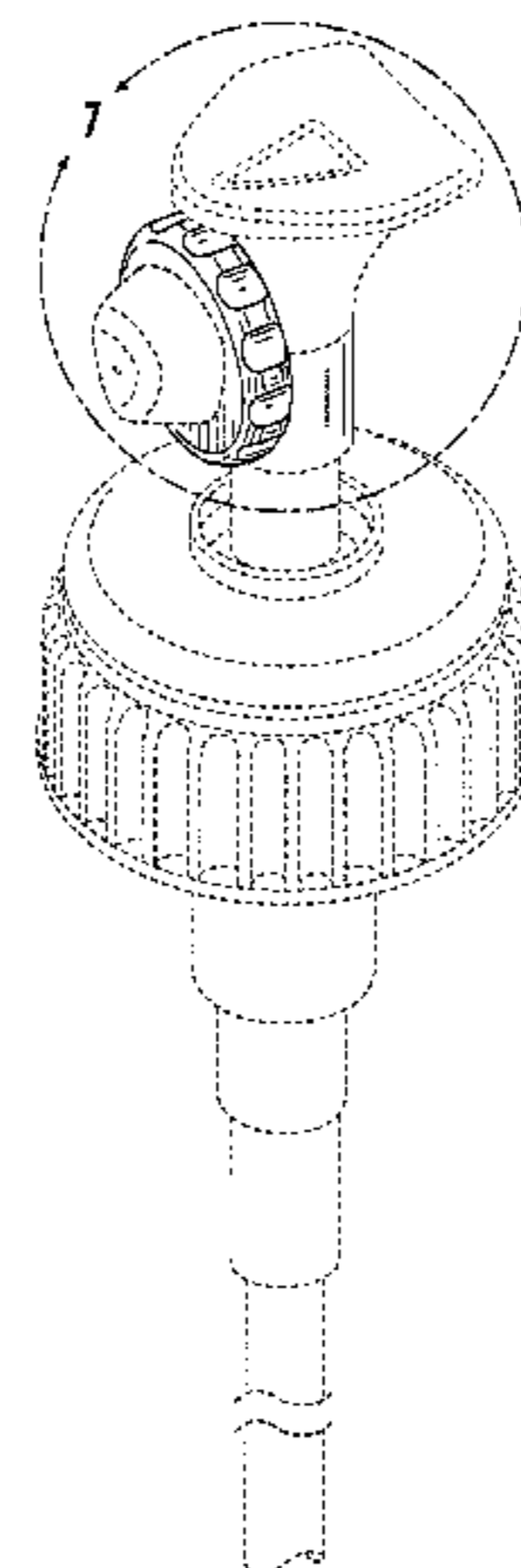
FIG. 10 is a top plan view thereof;

FIG. 11 is a bottom plan view thereof; and,

FIG. 12 is a rear elevation view thereof.

The broken lines immediately adjacent shaded areas represent bounds of the claimed design and environment while all other broken lines are directed to environment and are for illustrative purposes only. The broken lines form no part of the claimed design.

**1 Claim, 10 Drawing Sheets**



# US D628,901 S

Page 2

---

| U.S. PATENT DOCUMENTS |     |   |              |     |                                  |
|-----------------------|-----|---|--------------|-----|----------------------------------|
| 5,590,837             | A   | 1/1997 Grogan                           | 7,246,755    | B2  | 7/2007 Hornsby et al.            |
| 5,593,094             | A   | 1/1997 Barriac et al.                   | 7,328,859    | B2  | 2/2008 Hornsby et al.            |
| 5,628,461             | A   | 5/1997 Foster et al.                    | 7,354,008    | B2  | 4/2008 Hester et al.             |
| 5,738,282             | A   | 4/1998 Grogan                           | D569,726     | S * | 5/2008 Hildebrand ..... D9/448   |
| 5,755,384             | A   | 5/1998 Foster et al.                    | 7,384,006    | B2  | 6/2008 Hornsby et al.            |
| D416,489              | S * | 11/1999 Sayers ..... D9/448             | D572,342     | S * | 7/2008 Huang ..... D23/229       |
| 6,006,950             | A * | 12/1999 Watanabe et al. .... 222/153.13 | D587,576     | S * | 3/2009 Miller et al. .... D9/448 |
| D429,794              | S * | 8/2000 Beaver et al. .... D23/213       | 7,562,834    | B2  | 7/2009 Hornsby et al.            |
| 6,446,882             | B1  | 9/2002 Dukes et al.                     | 7,568,637    | B2  | 8/2009 Hornsby et al.            |
| 6,997,397             | B1  | 2/2006 Keung et al.                     | 7,588,198    | B2  | 9/2009 Hornsby et al.            |
| D519,371              | S   | 4/2006 Hornsby et al.                   | 2007/0272765 | A1  | 11/2007 Kwasny                   |
| 7,097,119             | B2  | 8/2006 Hornsby et al.                   | 2009/0032618 | A1  | 2/2009 Hornsby et al.            |
|                       |     |   | 2009/0159723 | A1  | 6/2009 Hornsby et al.            |

\* cited by examiner

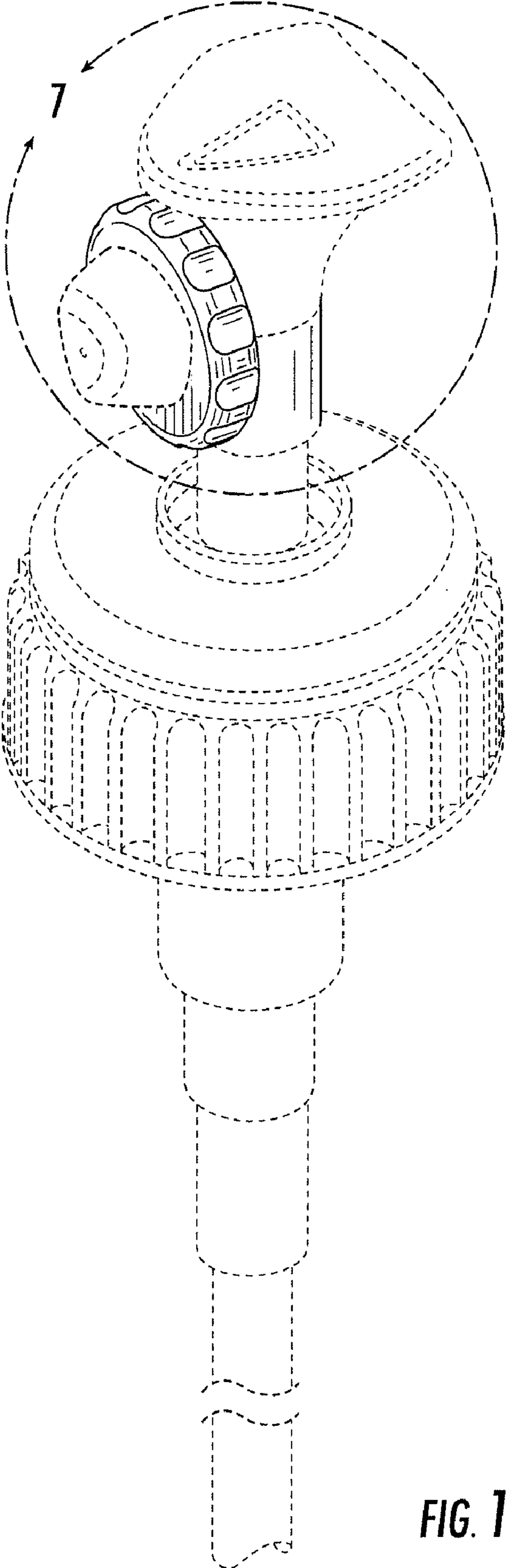


FIG. 1

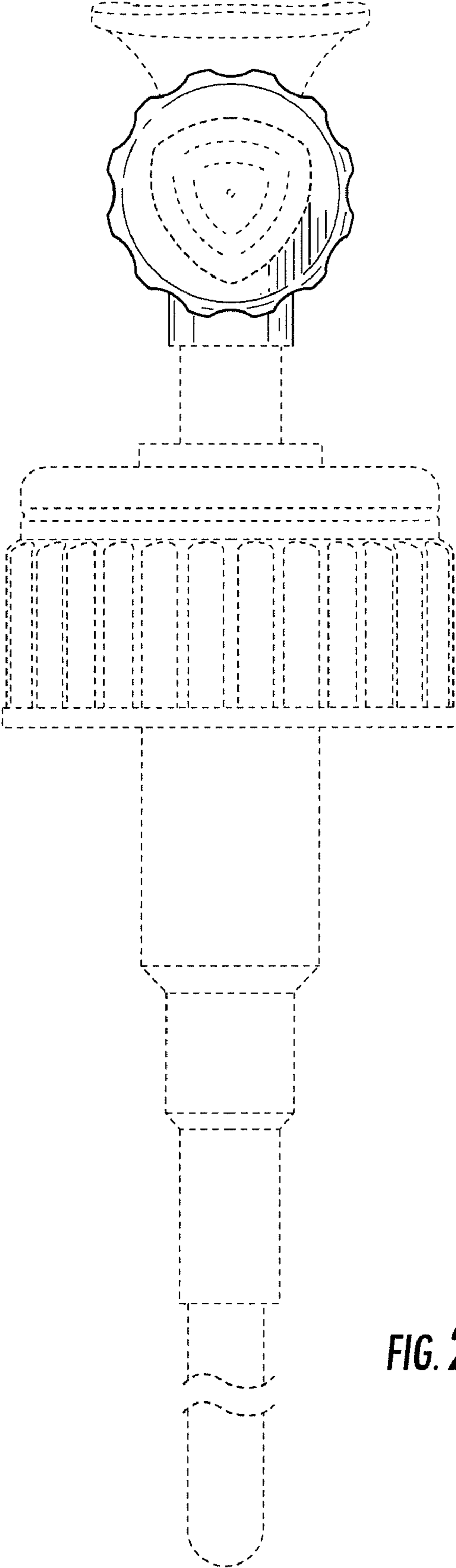
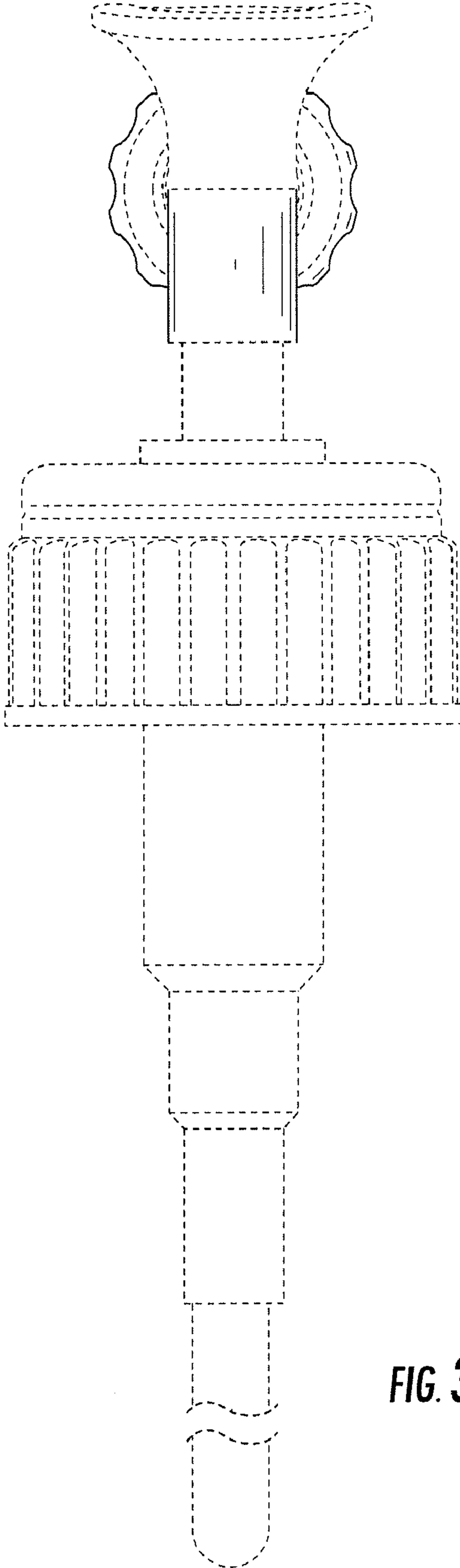


FIG. 2



**FIG. 3**

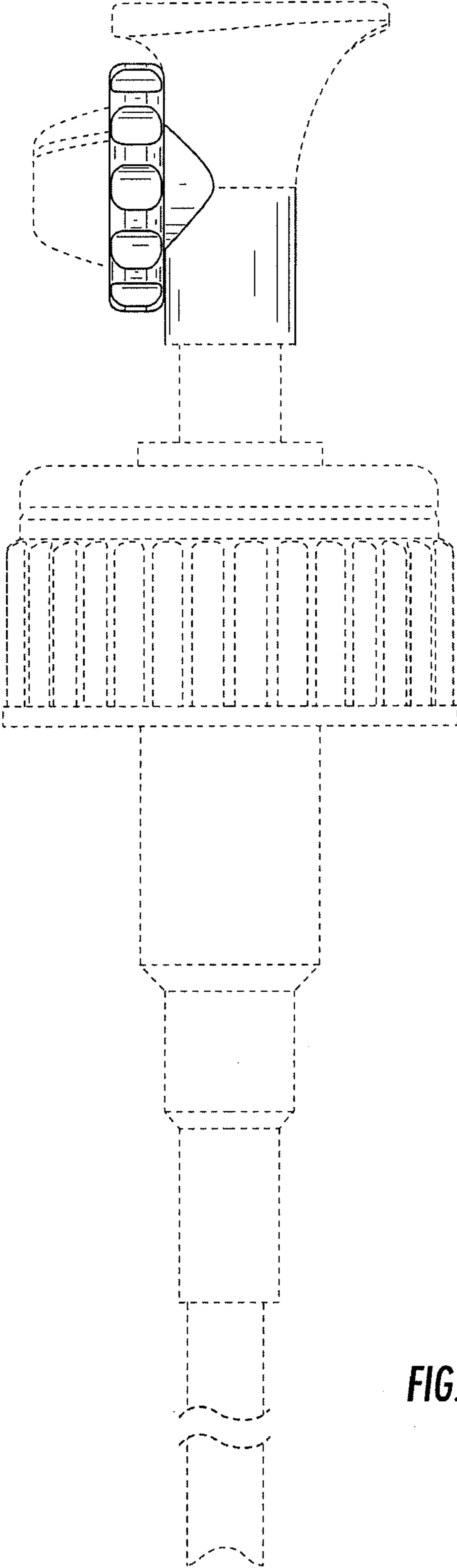
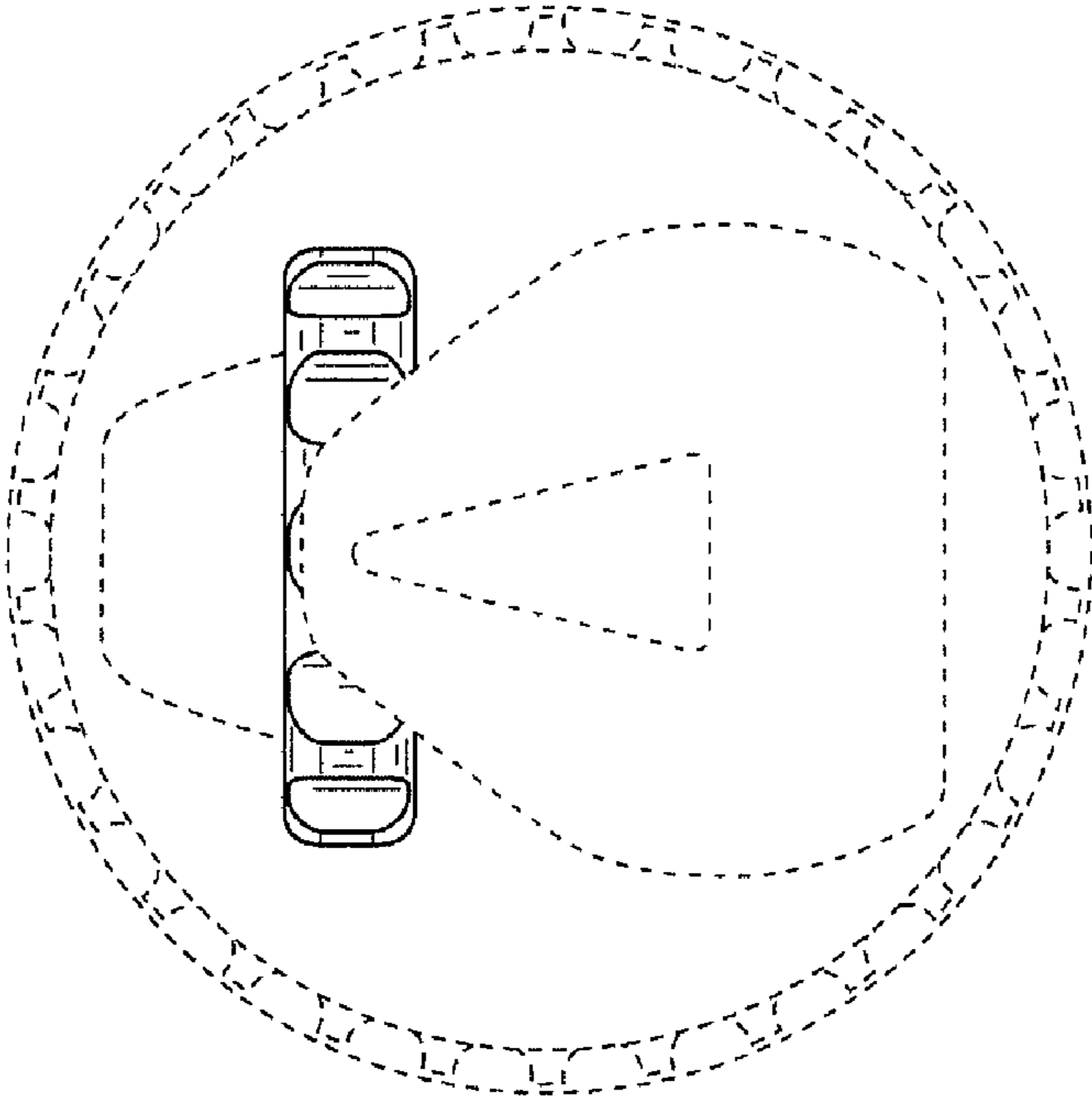
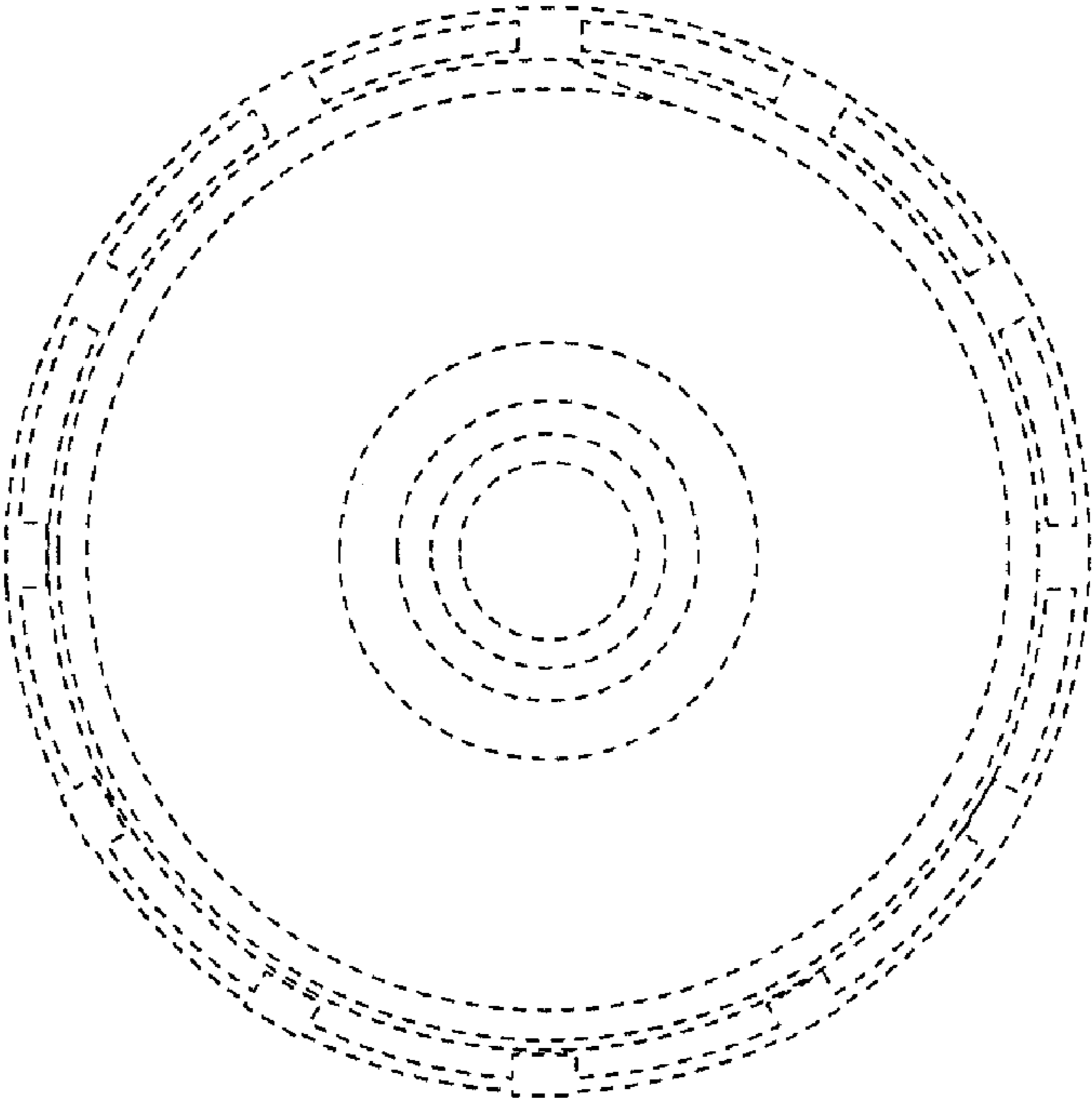


FIG. 4

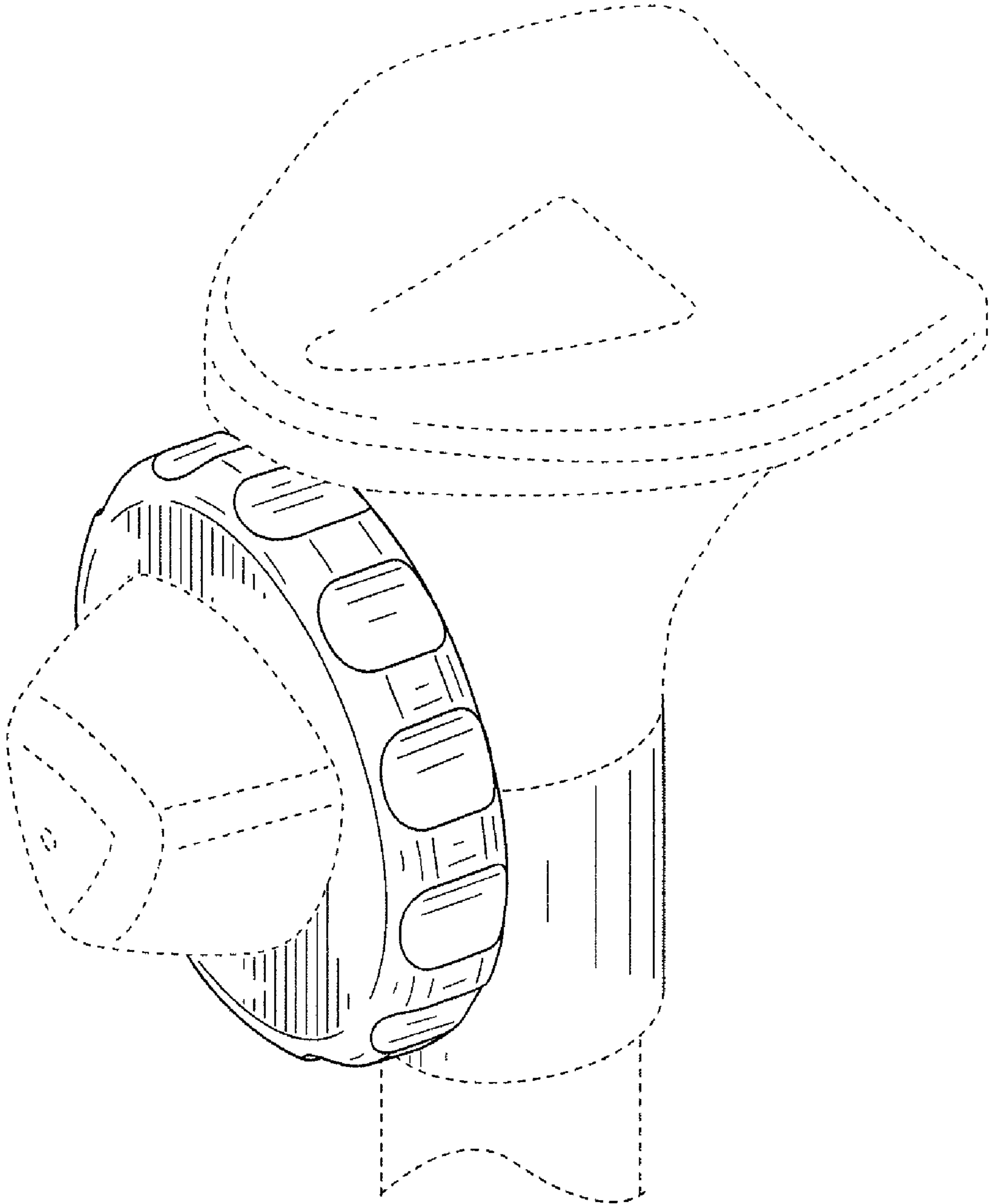




**FIG. 5**

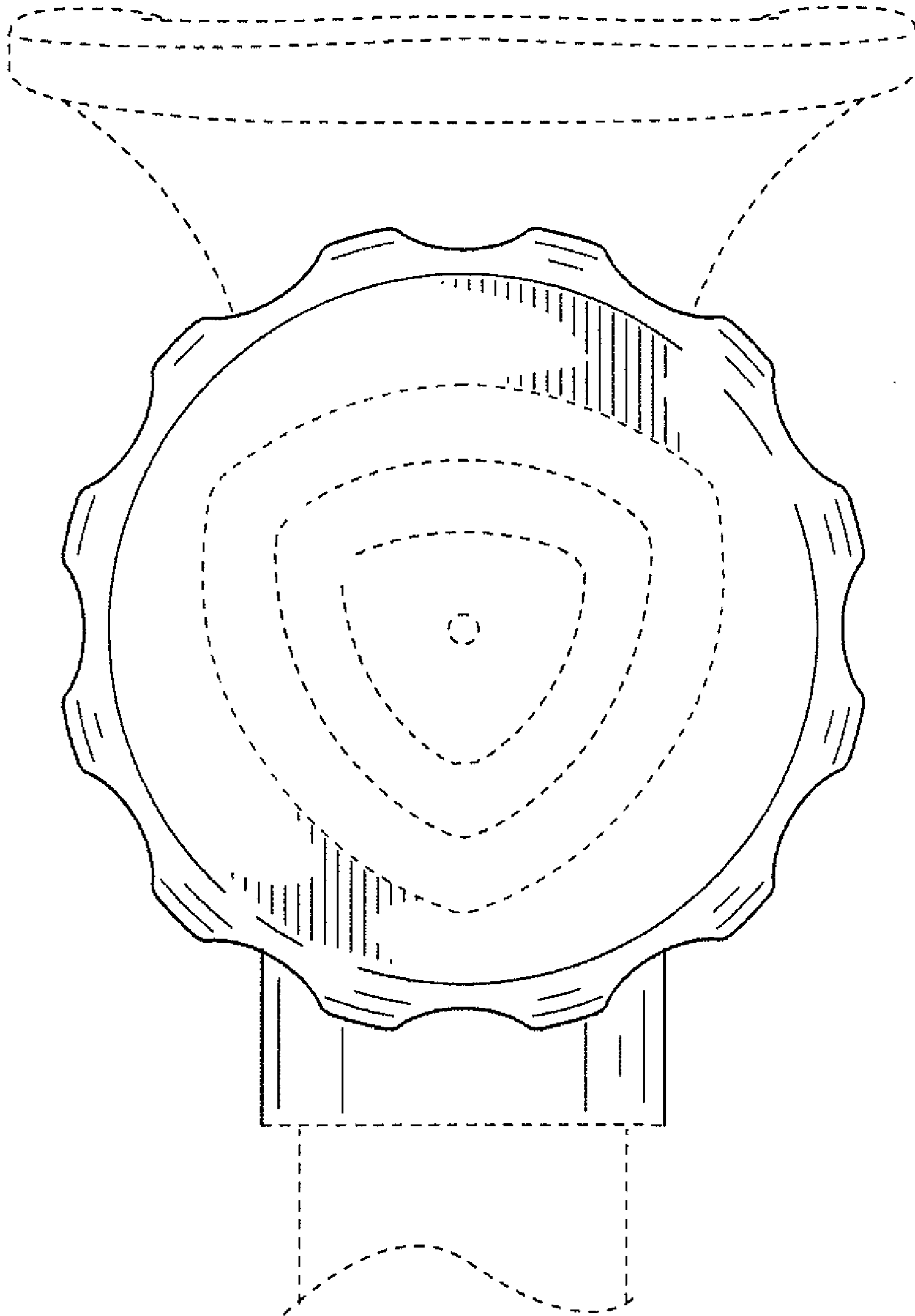


**FIG. 6**



**FIG. 7**





**FIG. 8**

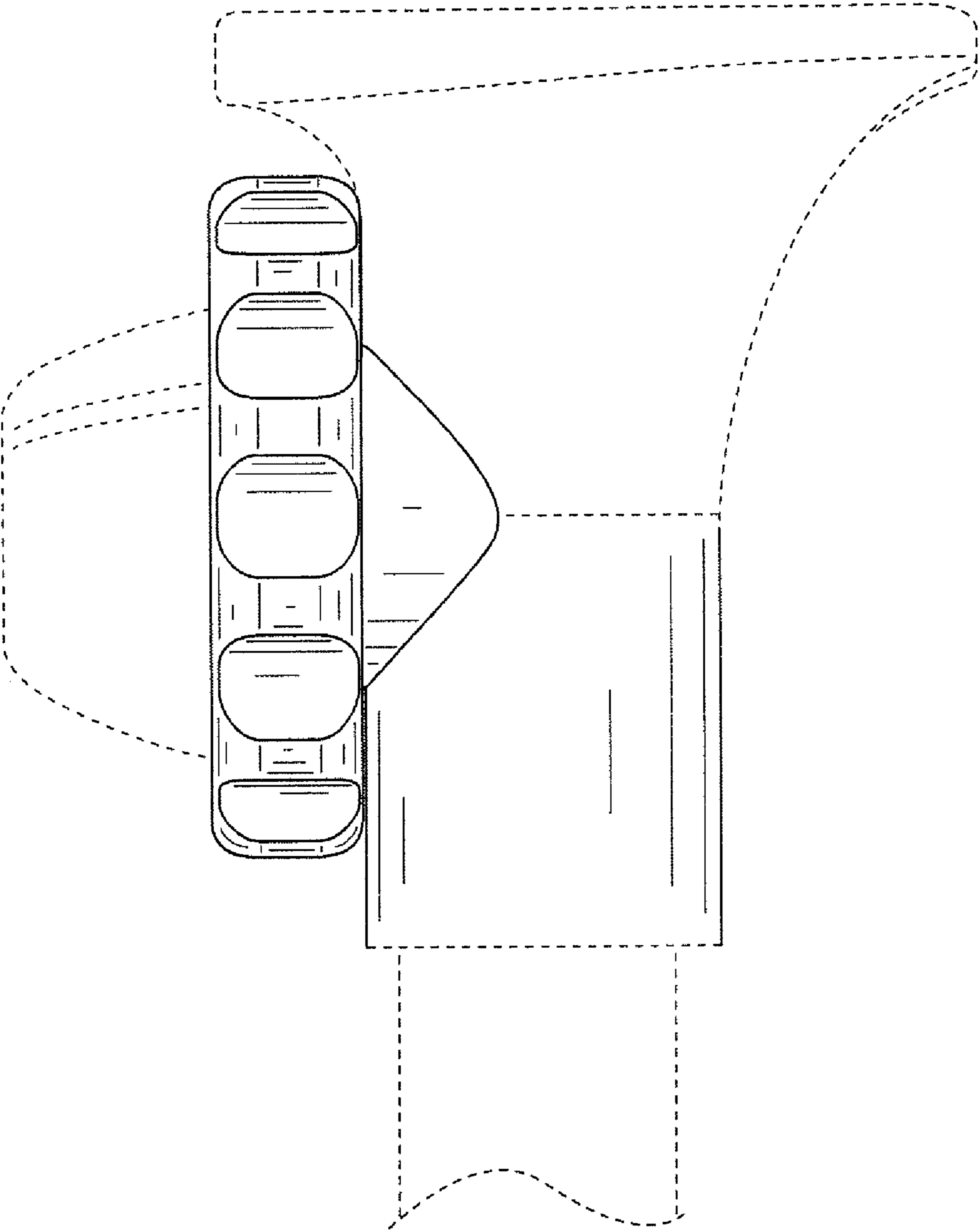
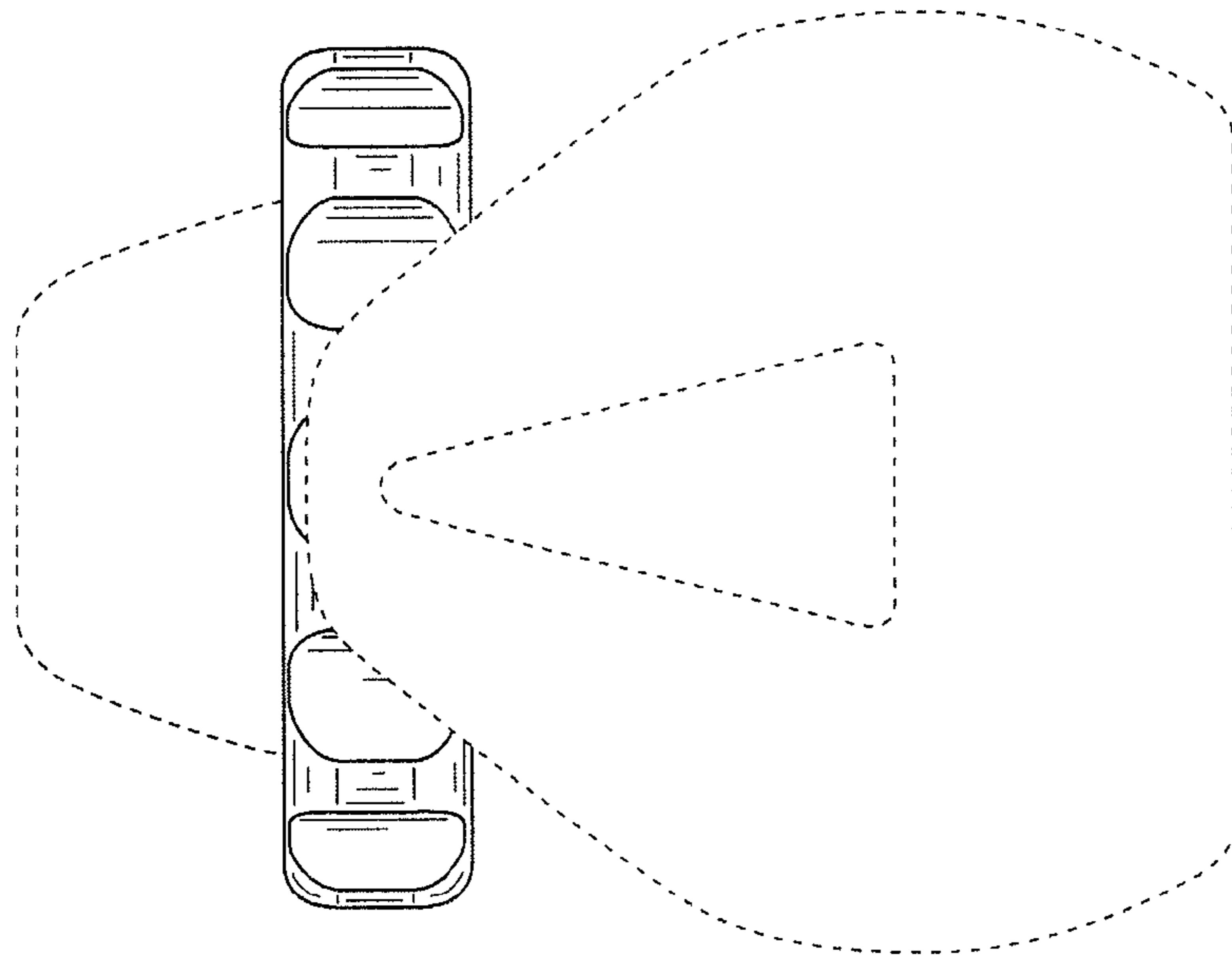
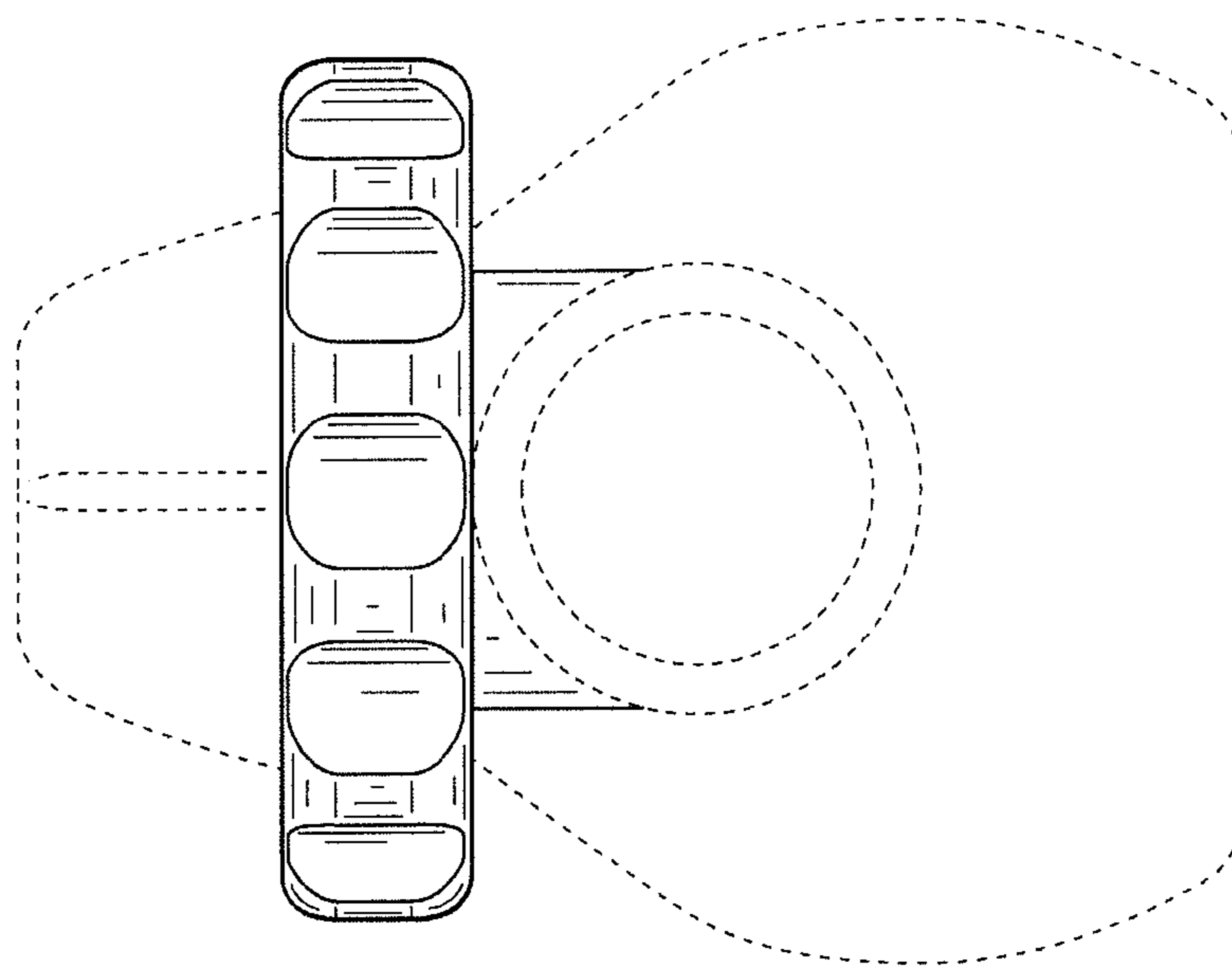


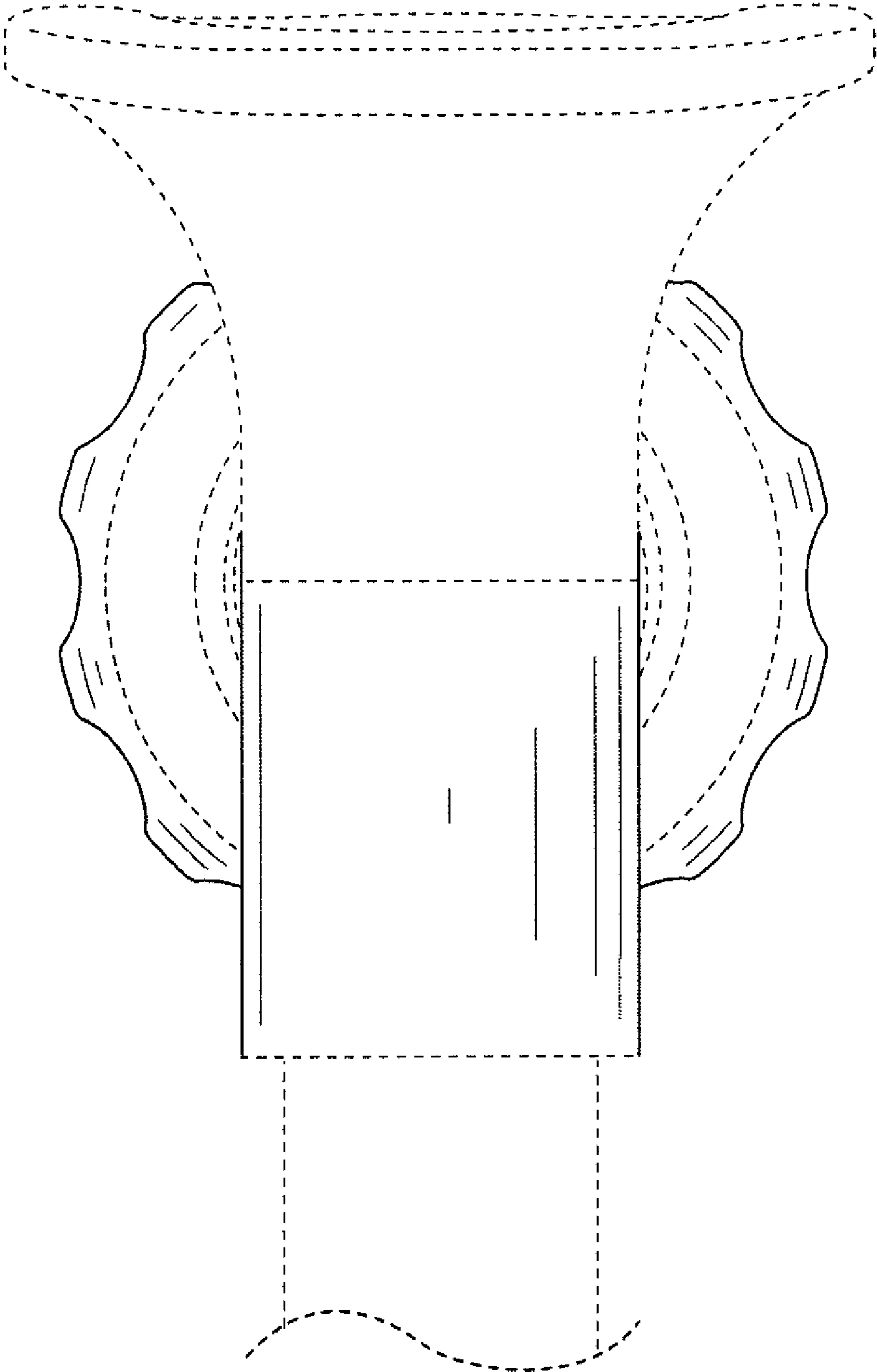
FIG. 9



**FIG. 10**



**FIG. 11**



**FIG. 12**