



US00D628900S

(12) **United States Design Patent**
Barnett et al.

(10) **Patent No.:** **US D628,900 S**
(45) **Date of Patent:** **** Dec. 14, 2010**

(54) **SPRAY NOZZLE**

5,337,926 A 8/1994 Drobish et al.
5,368,234 A 11/1994 Foster et al.
5,411,185 A 5/1995 Drobish

(75) Inventors: **Seth N. Barnett**, Oceanside, NY (US);
Jocelyn Yuan, Hartsdale, NY (US)

(73) Assignee: **Medtech Products, Inc.**, Irvington, NY
(US)

(Continued)

(**) Term: **14 Years**

Primary Examiner—Robin V Webster

(74) *Attorney, Agent, or Firm*—Alston & Bird LLP

(21) Appl. No.: **29/356,112**

(57) **CLAIM**

(22) Filed: **Feb. 19, 2010**

The ornamental design for a spray nozzle, as shown and described.

(51) **LOC (9) Cl.** **09-01**

(52) **U.S. Cl.** **D9/682; D9/448**

(58) **Field of Classification Search** D23/213,
D23/225; D9/448, 682, 685; 239/332, 333;
222/153.11–153.14

See application file for complete search history.

DESCRIPTION

FIG. 1 is a perspective view of a spray nozzle according to our new design;

FIG. 2 is a front elevation view thereof;

FIG. 3 is a rear elevation view thereof;

FIG. 4 is a left side elevation view thereof, the right side elevation view being a mirror image;

FIG. 5 is a top plan view thereof;

FIG. 6 is a bottom plan view thereof;

FIG. 7 is an enlarged perspective view of the portion of the spray nozzle identified in FIG. 1;

FIG. 8 is a front elevation view thereof;

FIG. 9 is a left side elevation view thereof, the right side elevation view being a mirror image;

FIG. 10 is a top plan view thereof;

FIG. 11 is a bottom plan view thereof; and,

FIG. 12 is a rear elevation view thereof.

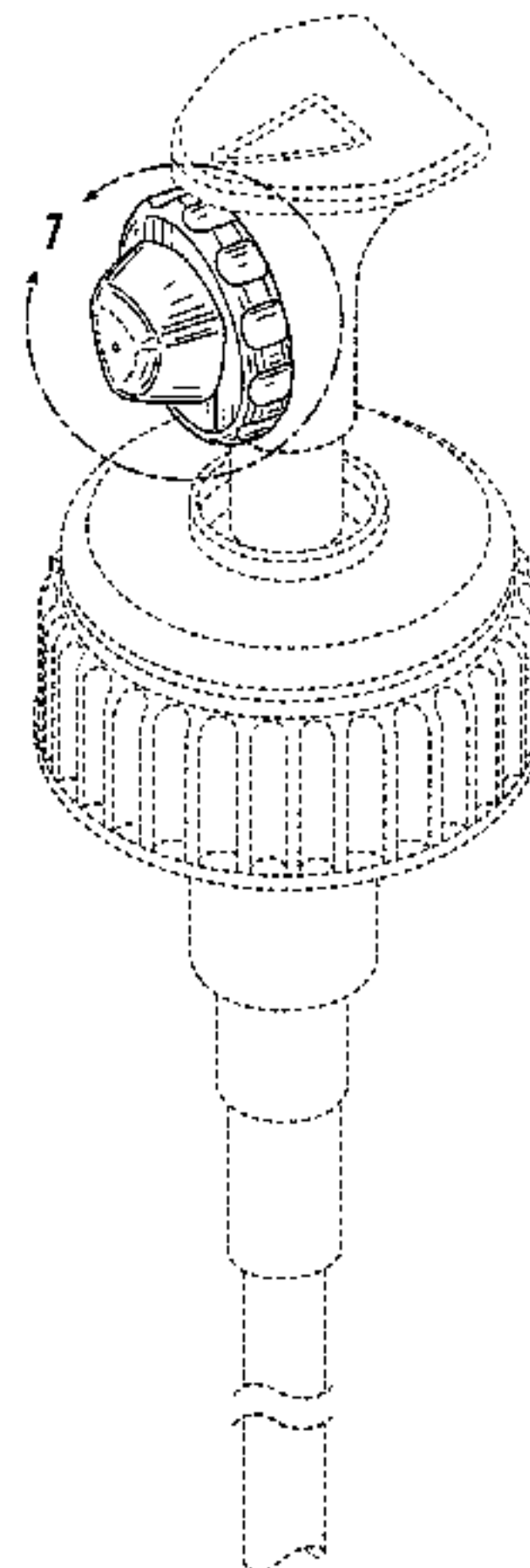
The broken lines immediately adjacent shaded areas represent bounds of the claimed design and environment while all other broken lines are directed to environment and are for illustrative purposes only. The broken lines form no part of the claimed design.

(56) **References Cited**

U.S. PATENT DOCUMENTS

3,804,296 A	4/1974	Webster	
3,843,030 A	10/1974	Micallef	
3,961,756 A	6/1976	Martini	
3,967,765 A	7/1976	Micallef	
3,994,442 A	11/1976	Hoening	
4,020,982 A	5/1977	Micallef	
4,065,037 A *	12/1977	Haller	222/153.02
4,189,064 A	2/1980	O'Neill et al.	
4,212,332 A	7/1980	Kutik et al.	
4,234,128 A	11/1980	Quinn et al.	
4,247,048 A	1/1981	Hayes	
4,358,057 A	11/1982	Burke	
4,365,751 A	12/1982	Saito et al.	
4,516,695 A	5/1985	Garneau	
4,690,312 A	9/1987	Crapser et al.	
4,706,888 A	11/1987	Dobbs	
4,890,792 A	1/1990	Martin et al.	
D314,916 S *	2/1991	Brooks	D9/448
5,088,628 A	2/1992	Knickerbocker	
5,152,463 A	10/1992	Mao et al.	
5,234,166 A	8/1993	Foster et al.	
5,261,574 A	11/1993	Jouillat et al.	
5,267,692 A	12/1993	Maas et al.	

1 Claim, 7 Drawing Sheets



US D628,900 S

Page 2

U.S. PATENT DOCUMENTS

D367,228 S *	2/1996	Woods	D9/448	D519,371 S	4/2006	Hornsby et al.	
5,499,766 A	3/1996	Foster et al.		7,097,119 B2	8/2006	Hornsby et al.	
5,547,132 A	8/1996	Grogan		7,246,755 B2	7/2007	Hornsby et al.	
5,549,249 A	8/1996	Foster et al.		7,328,859 B2	2/2008	Hornsby et al.	
5,590,837 A	1/1997	Grogan		7,354,008 B2	4/2008	Hester et al.	
5,593,094 A	1/1997	Barriac et al.		D569,726 S *	5/2008	Hildebrand	D9/448
5,628,461 A	5/1997	Foster et al.		7,384,006 B2	6/2008	Hornsby et al.	
5,738,282 A	4/1998	Grogan		D572,342 S *	7/2008	Huang	D23/229
5,755,384 A	5/1998	Foster et al.		D587,576 S *	3/2009	Miller et al.	D9/448
D416,489 S *	11/1999	Sayers	D9/448	7,562,834 B2	7/2009	Hornsby et al.	
6,006,950 A *	12/1999	Watanabe et al.	222/153.13	7,568,637 B2	8/2009	Hornsby et al.	
D429,794 S *	8/2000	Beaver et al.	D23/213	7,588,198 B2	9/2009	Hornsby et al.	
6,446,882 B1	9/2002	Dukes et al.		2007/0272765 A1	11/2007	Kwasny	
6,997,397 B1	2/2006	Keung et al.		2009/0032618 A1	2/2009	Hornsby et al.	
				2009/0159723 A1	6/2009	Hornsby et al.	

* cited by examiner

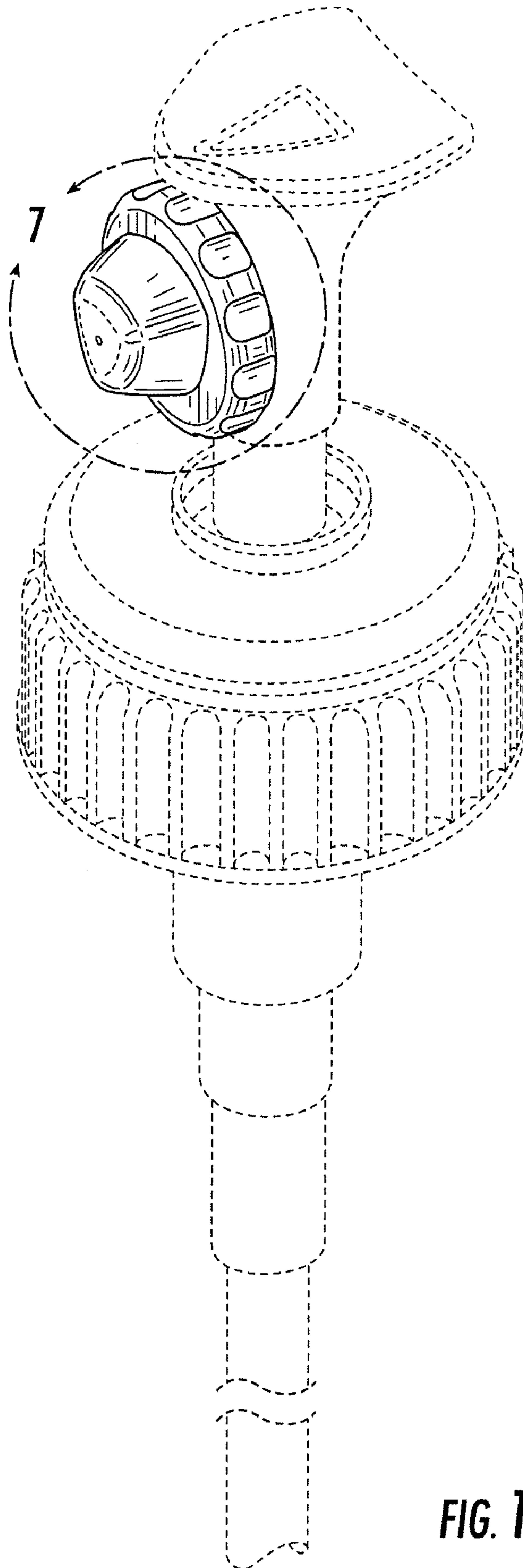


FIG. 1

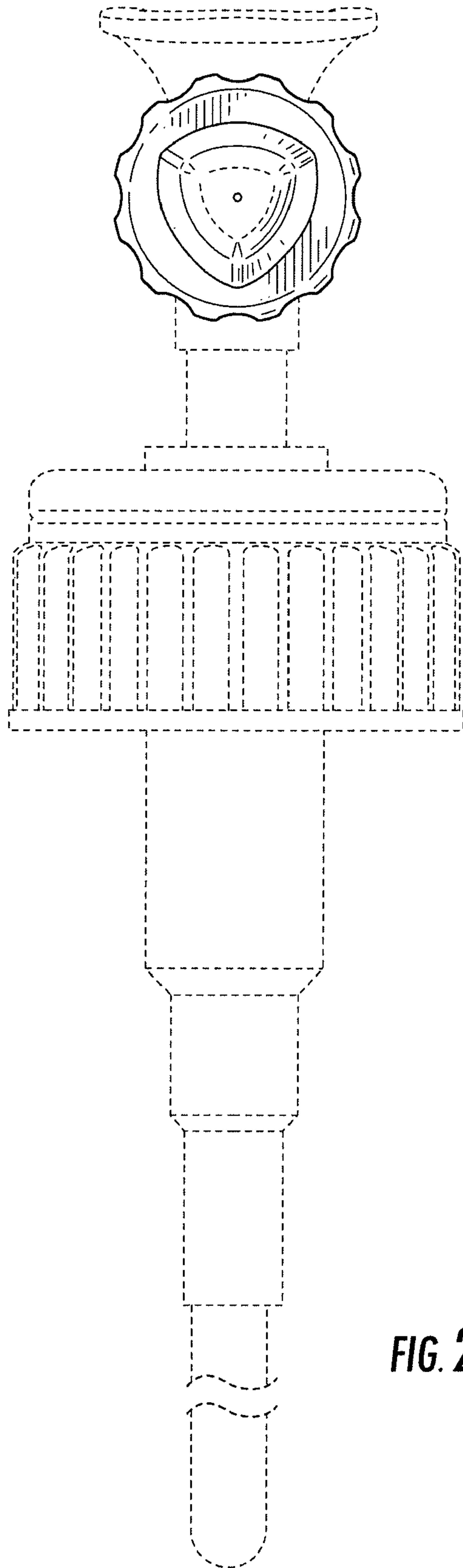


FIG. 2

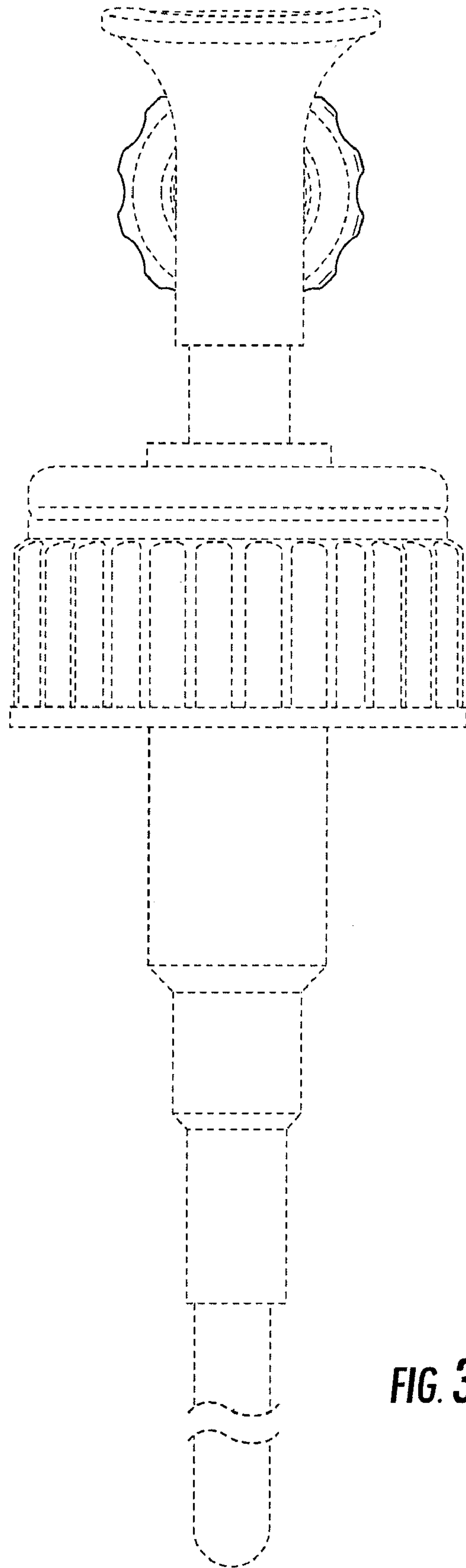


FIG. 3

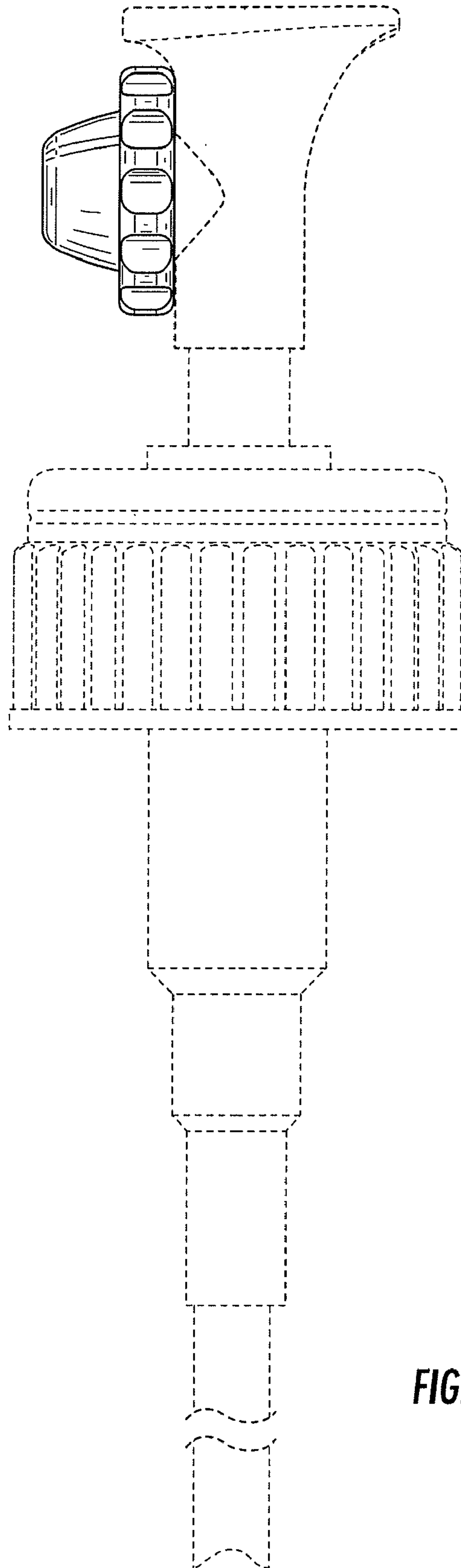


FIG. 4

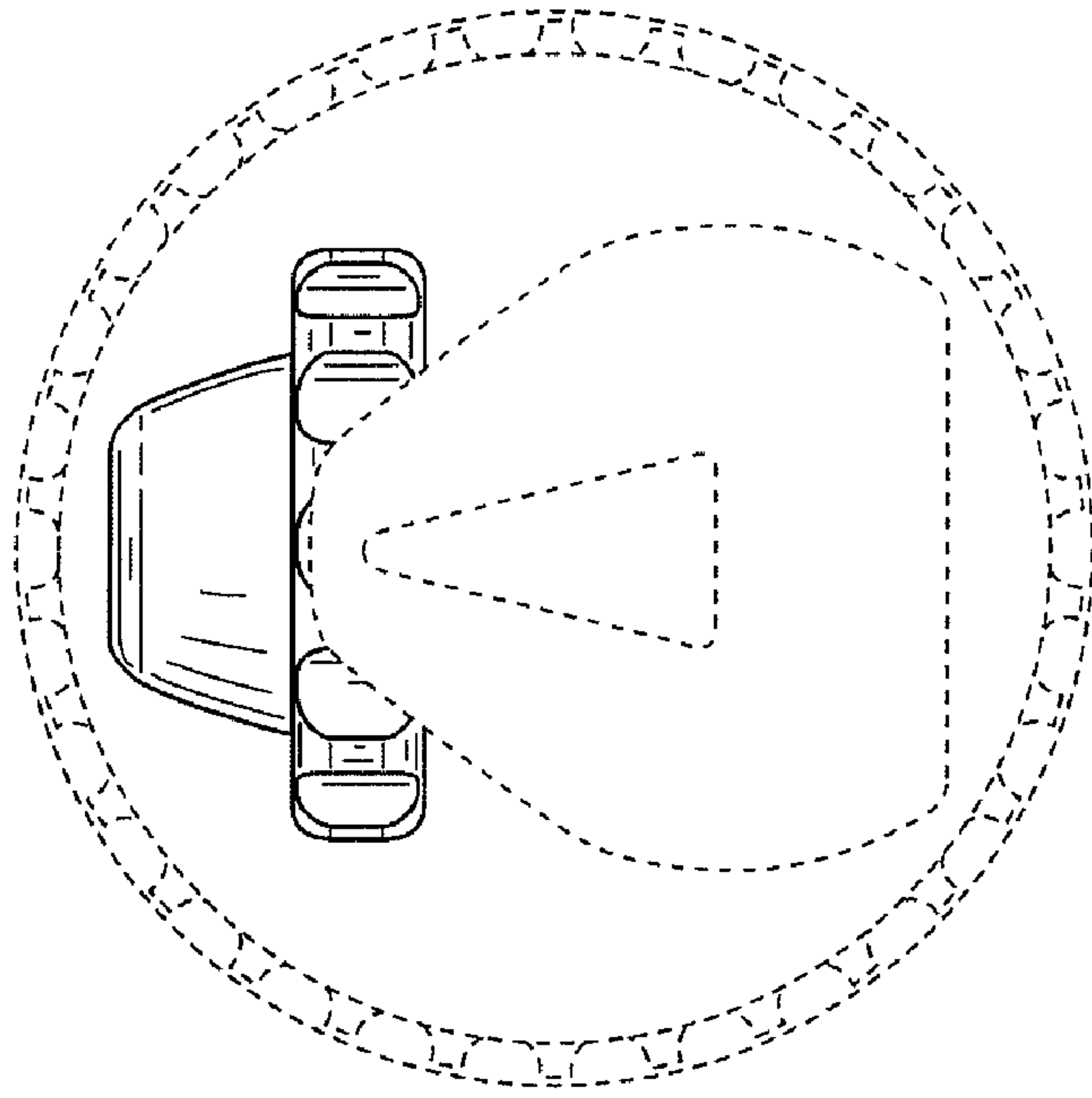


FIG. 5

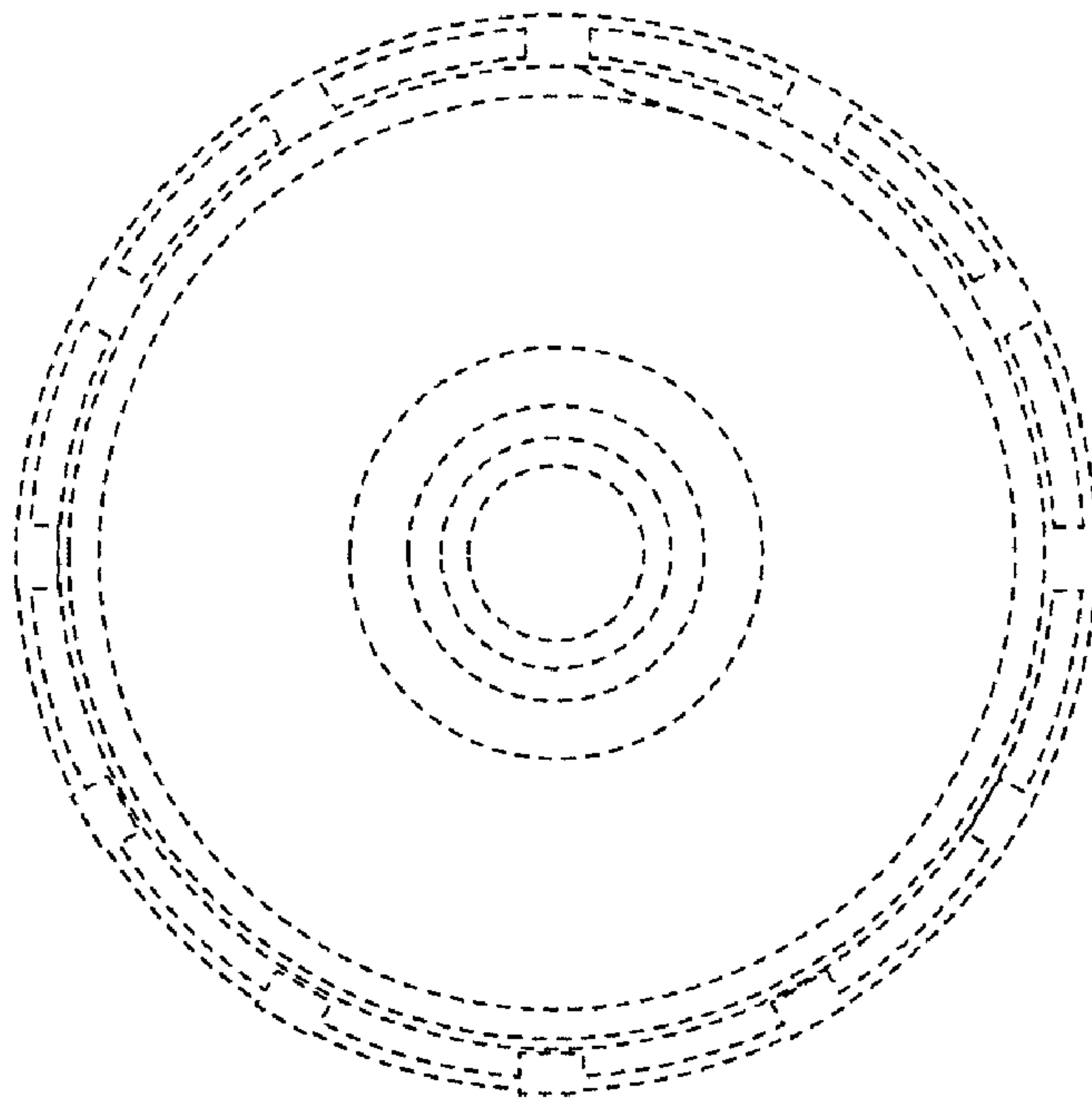


FIG. 6

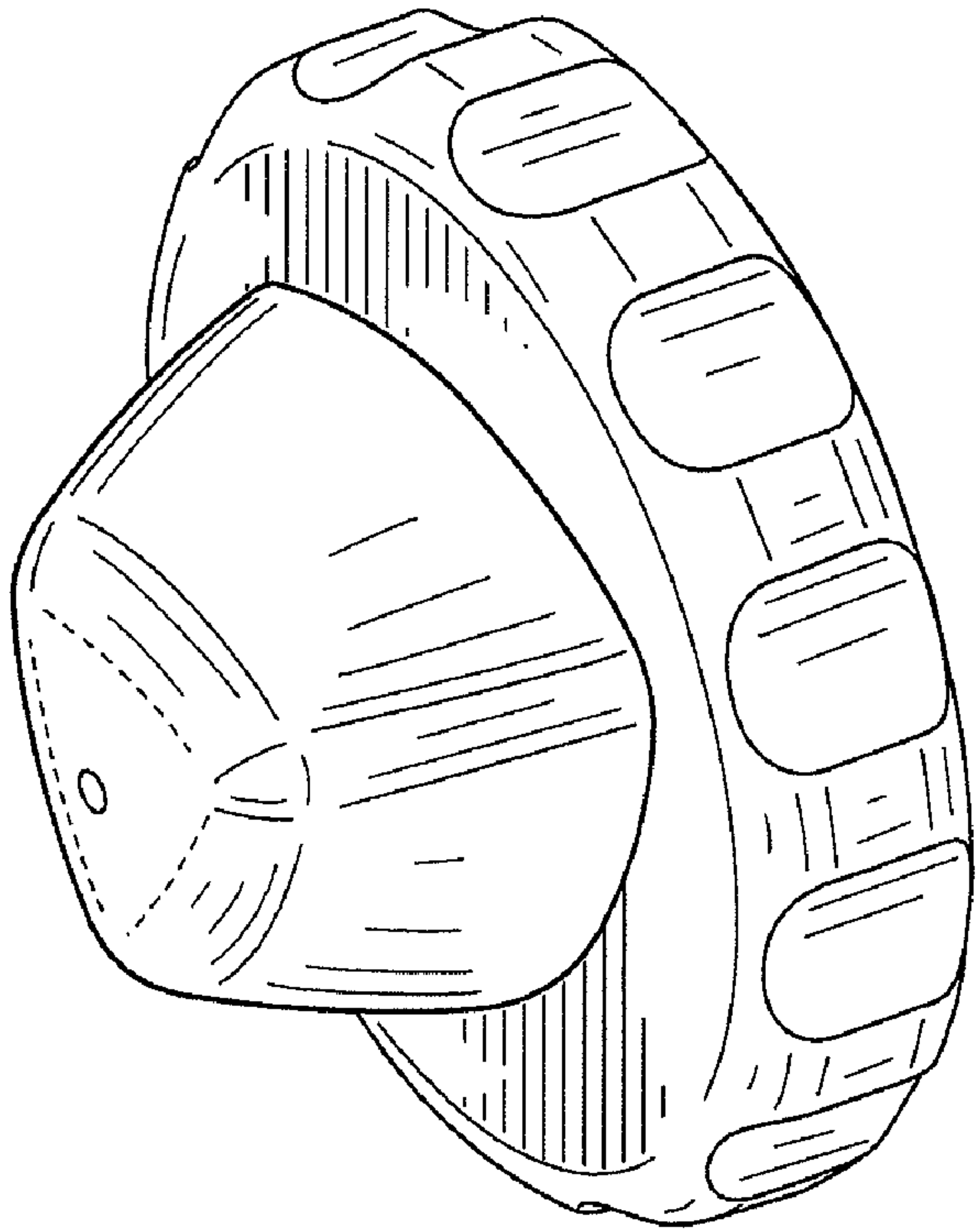


FIG. 7

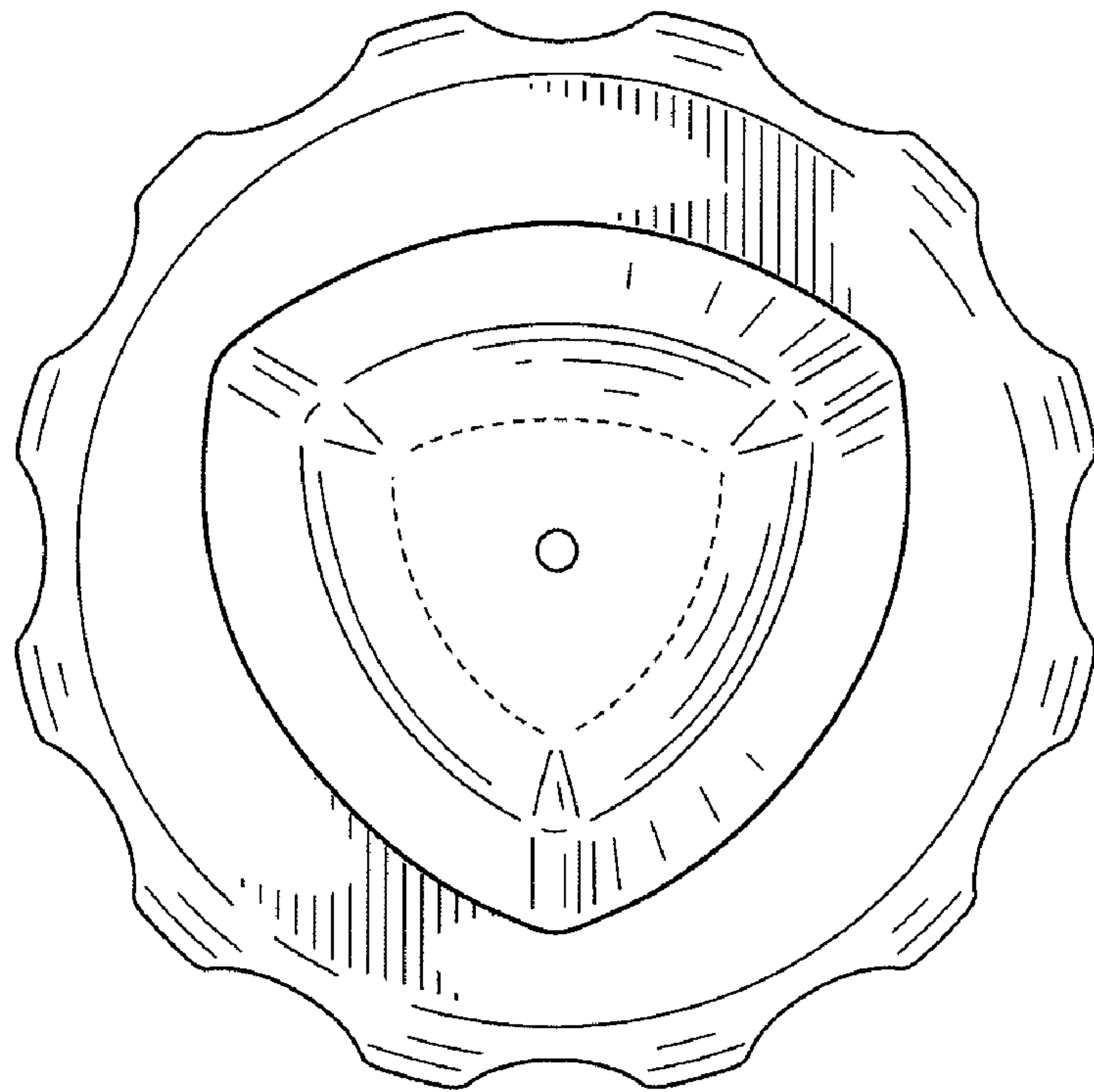


FIG. 8

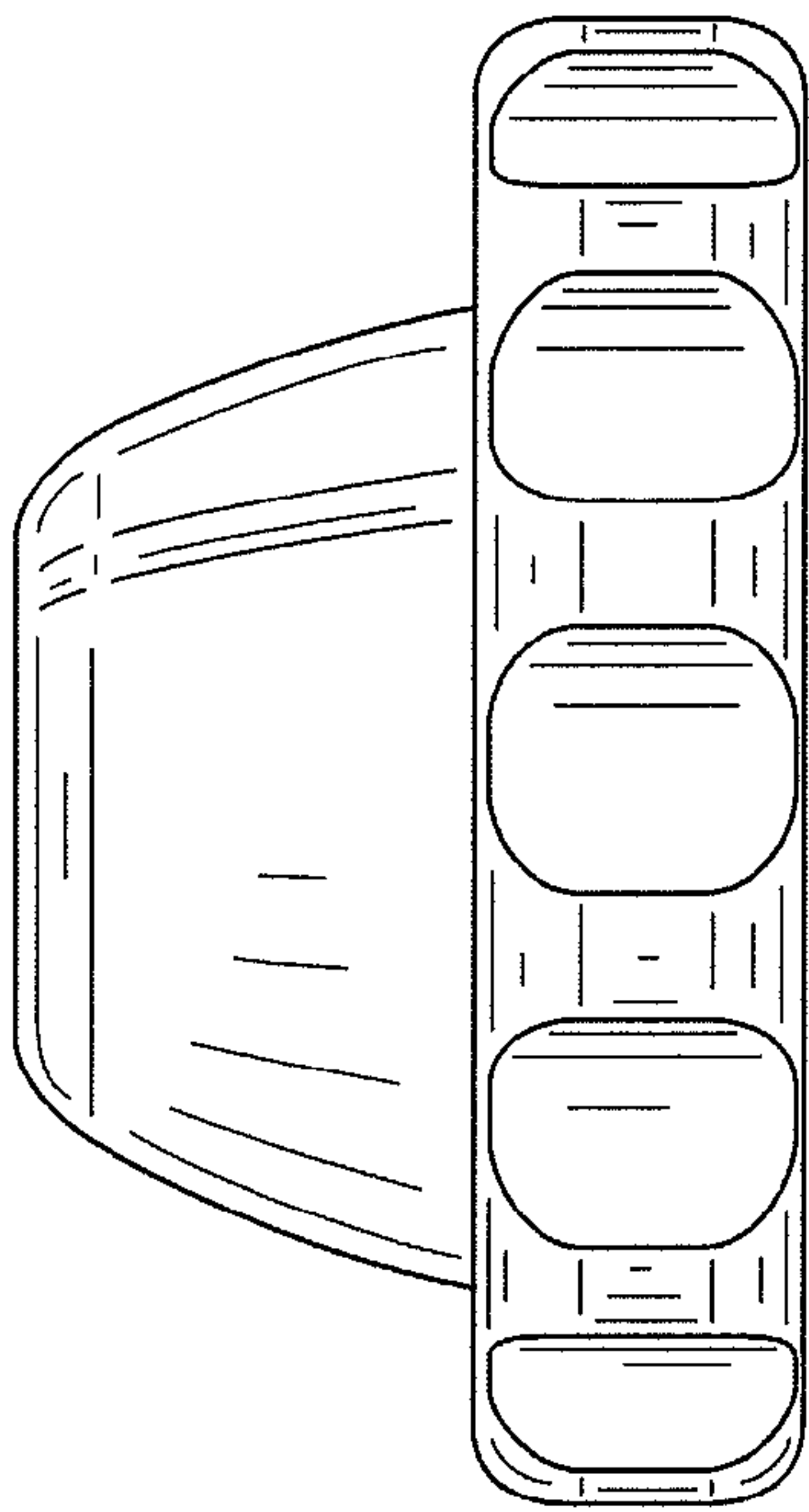


FIG. 9

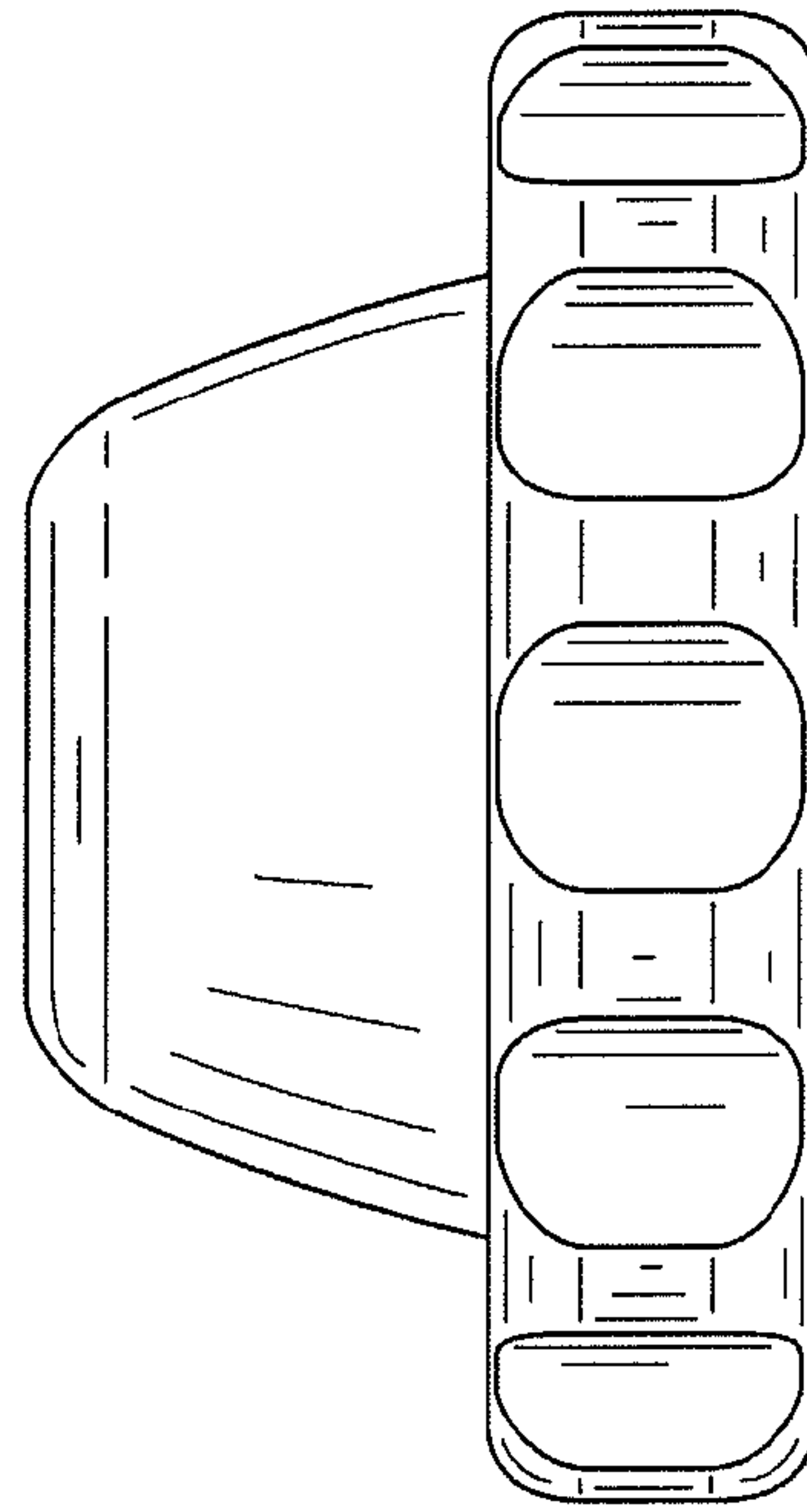


FIG. 10

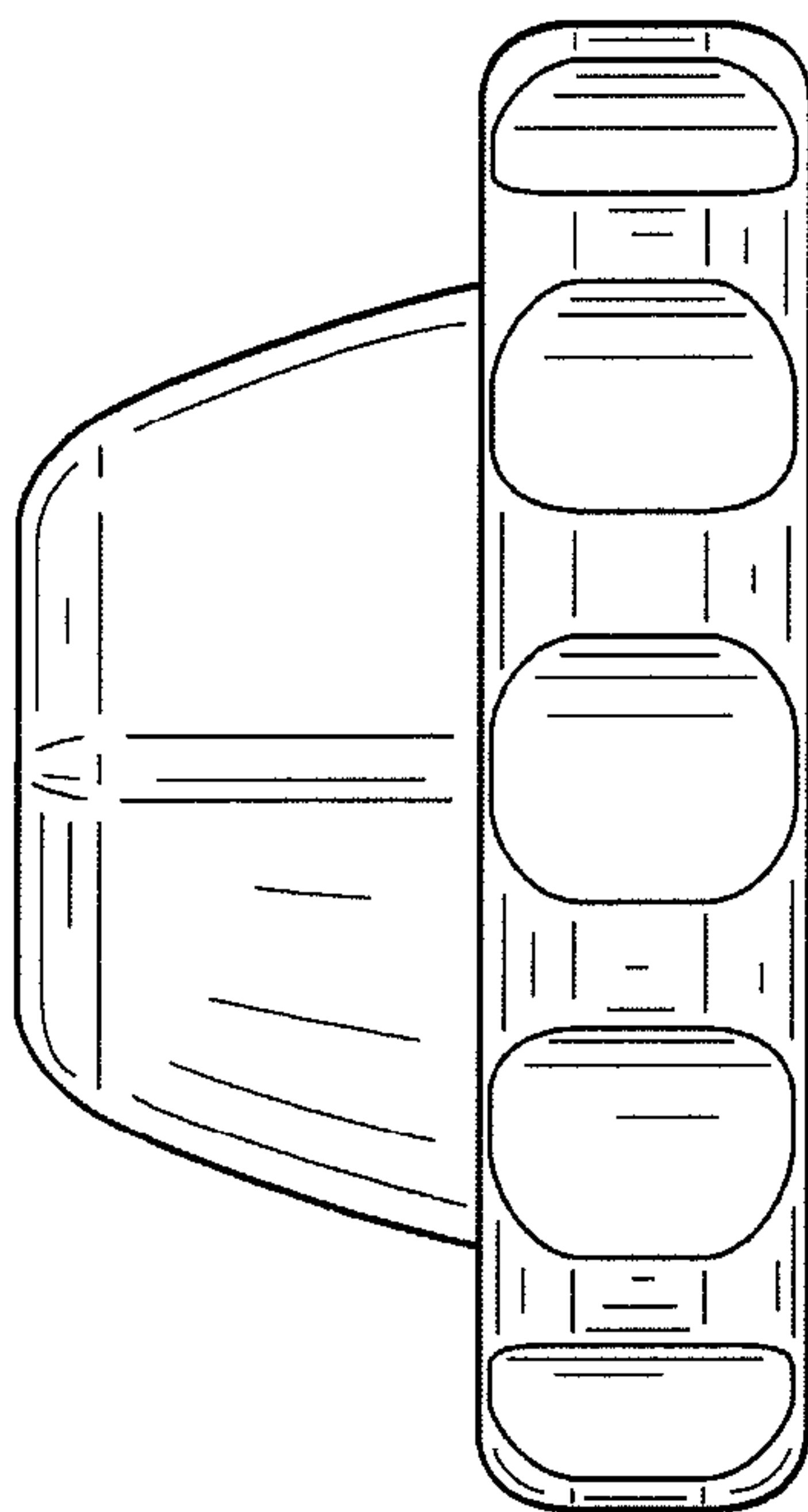


FIG. 11

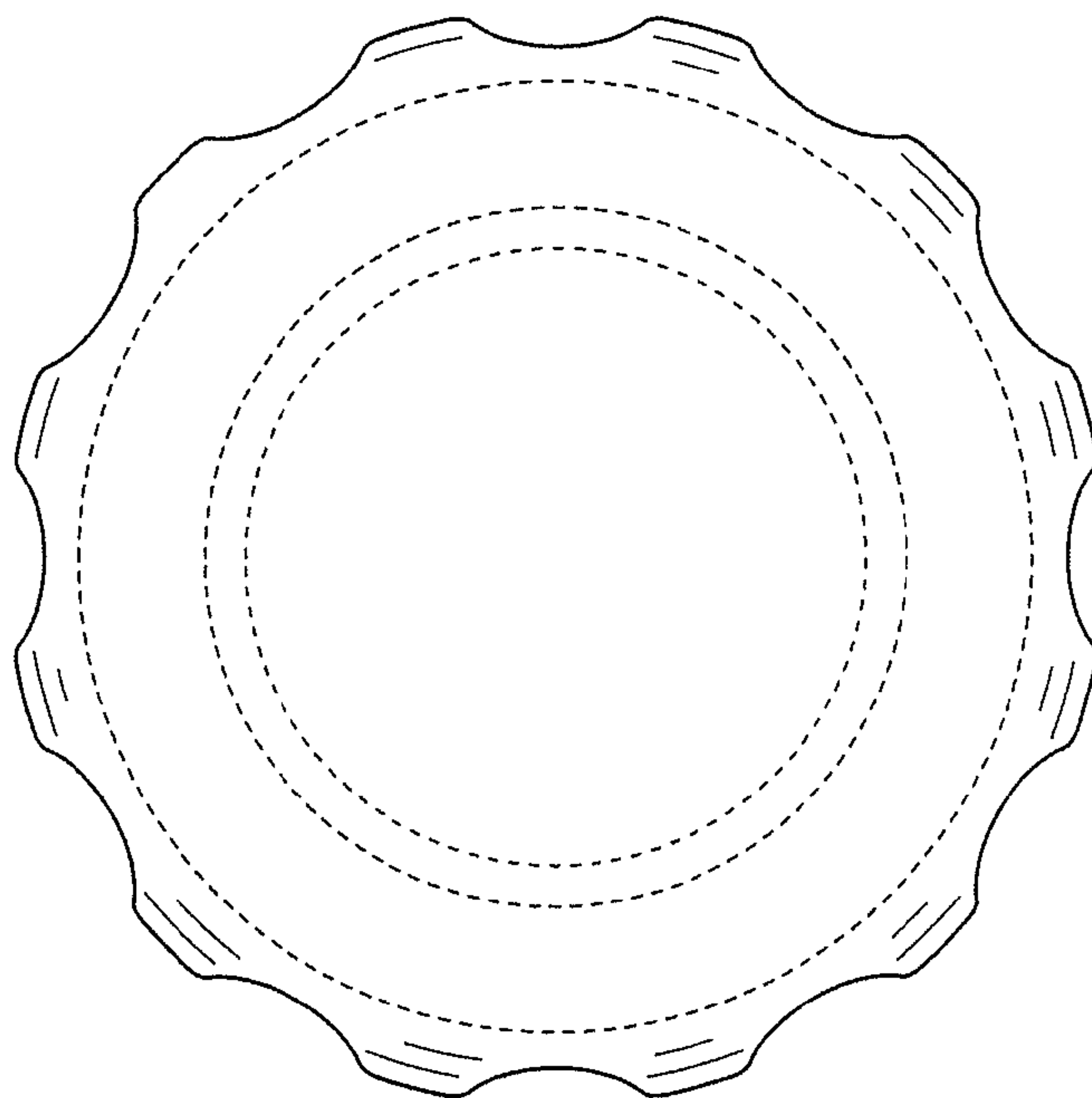


FIG. 12