



US00D628899S

(12) **United States Design Patent**  
**Barnett et al.**

(10) **Patent No.:** **US D628,899 S**  
(45) **Date of Patent:** **\*\* Dec. 14, 2010**

(54) **SPRAY NOZZLE**

(75) Inventors: **Seth N. Barnett**, Oceanside, NY (US);  
**Jocelyn Yuan**, Hartsdale, NY (US)

(73) Assignee: **Medtech Products, Inc.**, Irvington, NY  
(US)

(\*\*) Term: **14 Years**

(21) Appl. No.: **29/356,107**

(22) Filed: **Feb. 19, 2010**

(51) **LOC (9) Cl.** ..... **09-01**

(52) **U.S. Cl.** ..... **D9/682; D9/448**

(58) **Field of Classification Search** ..... D23/213,  
D23/225; D9/448, 682, 685; 239/332, 333;  
222/153.11–153.14

See application file for complete search history.

(56) **References Cited**

**U.S. PATENT DOCUMENTS**

3,804,296 A	4/1974	Webster	
3,843,030 A	10/1974	Micallef	
3,961,756 A	6/1976	Martini	
3,967,765 A	7/1976	Micallef	
3,994,442 A	11/1976	Hoening	
4,020,982 A	5/1977	Micallef	
4,065,037 A *	12/1977	Haller	222/153.02
4,189,064 A	2/1980	O'Neill et al.	
4,212,332 A	7/1980	Kutik et al.	
4,234,128 A	11/1980	Quinn et al.	
4,247,048 A	1/1981	Hayes	
4,358,057 A	11/1982	Burke	
4,365,751 A	12/1982	Saito et al.	
4,516,695 A	5/1985	Garneau	
4,690,312 A	9/1987	Crapser et al.	
4,706,888 A	11/1987	Dobbs	
4,890,792 A	1/1990	Martin et al.	
D314,916 S *	2/1991	Brooks	D9/448
5,088,628 A	2/1992	Knickerbocker	
5,152,463 A	10/1992	Mao et al.	
5,234,166 A	8/1993	Foster et al.	
5,261,574 A	11/1993	Jouillat et al.	
5,267,692 A	12/1993	Maas et al.	

5,337,926 A	8/1994	Drobish et al.	
5,368,234 A	11/1994	Foster et al.	
5,411,185 A	5/1995	Drobish	
D367,228 S *	2/1996	Woods	D9/448
5,499,766 A	3/1996	Foster et al.	
5,547,132 A	8/1996	Grogan	
5,549,249 A	8/1996	Foster et al.	
5,590,837 A	1/1997	Grogan	
5,593,094 A	1/1997	Barriac et al.	
5,628,461 A	5/1997	Foster et al.	

(Continued)

*Primary Examiner*—Robin V Webster  
(74) *Attorney, Agent, or Firm*—Alston & Bird LLP

(57) **CLAIM**

The ornamental design for a spray nozzle, as shown and described.

**DESCRIPTION**

FIG. 1 is a perspective view of a spray nozzle according to our new design;

FIG. 2 is a front elevation view thereof;

FIG. 3 is a rear elevation view thereof;

FIG. 4 is a left side elevation view thereof, the right side elevation view being a mirror image;

FIG. 5 is a top plan view thereof;

FIG. 6 is a bottom plan view thereof;

FIG. 7 is an enlarged perspective view of the portion of the spray nozzle identified in FIG. 1;

FIG. 8 is a front elevation view thereof;

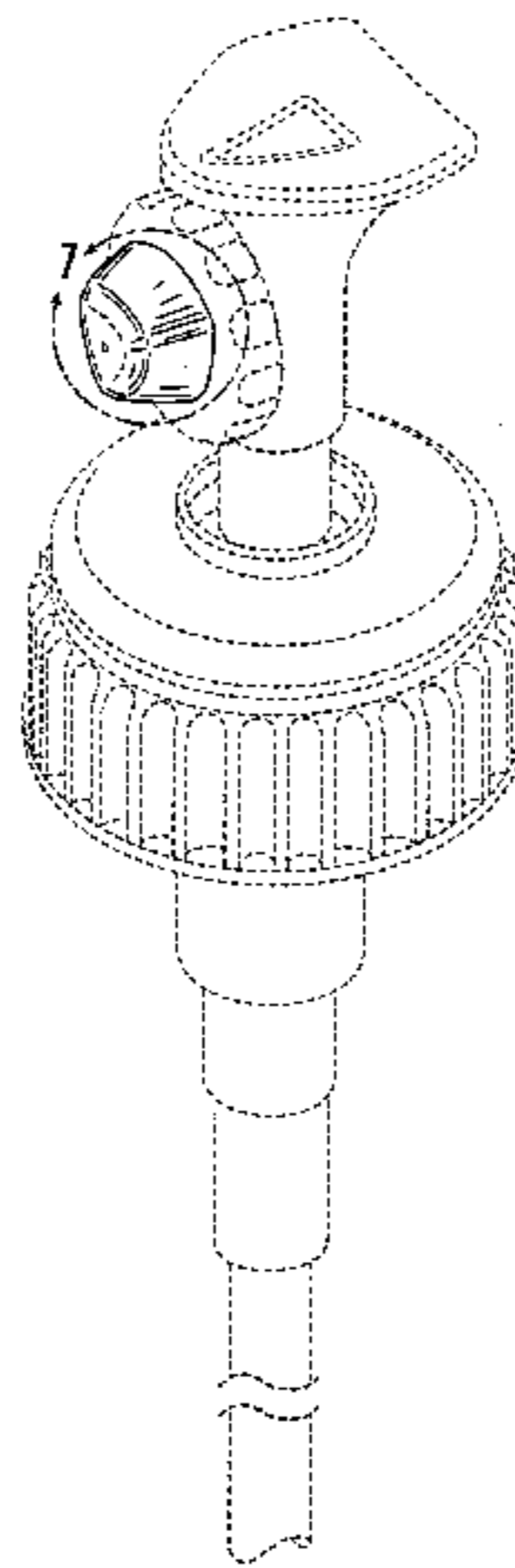
FIG. 9 is a left side elevation view thereof, the right side elevation view being a mirror image;

FIG. 10 is a top plan view thereof; and,

FIG. 11 is a bottom plan view thereof.

The broken lines are directed to environment and are for illustrative purposes only. The broken lines form no part of the claimed design.

**1 Claim, 7 Drawing Sheets**



# US D628,899 S

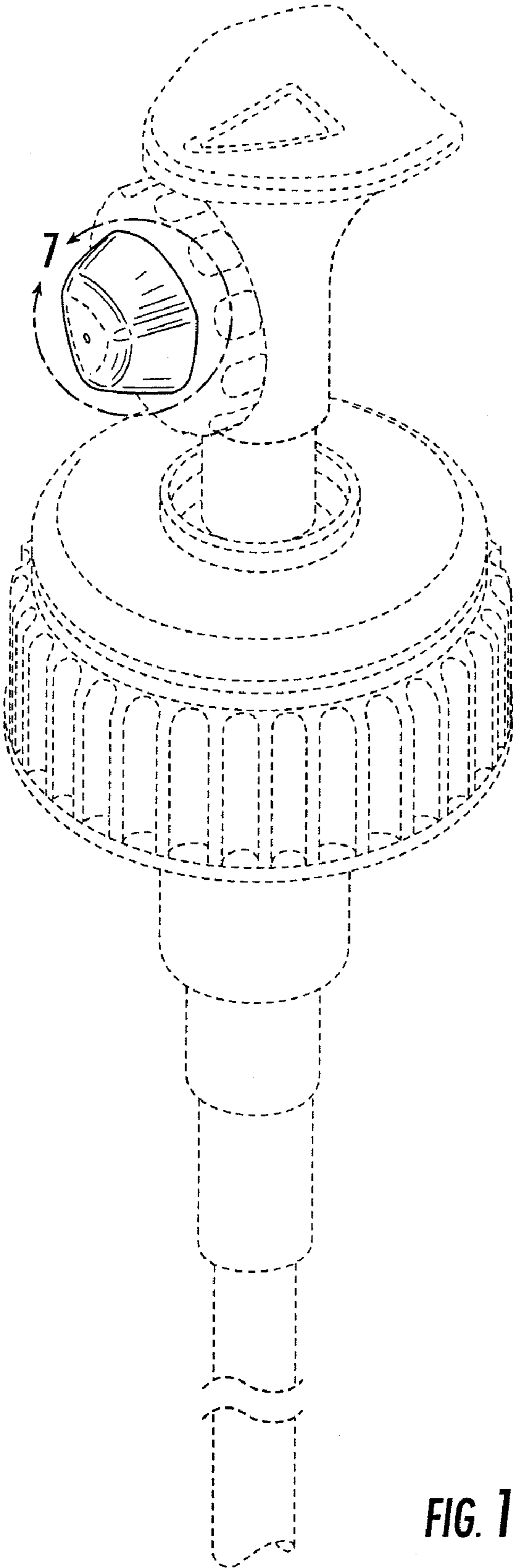
Page 2

---

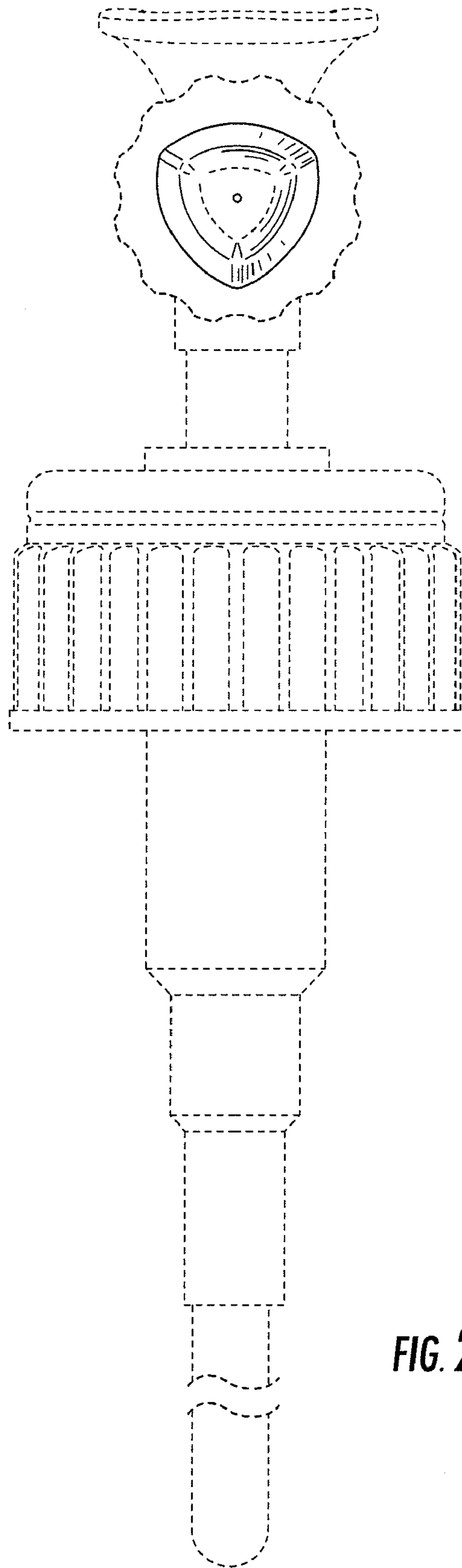
## U.S. PATENT DOCUMENTS

5,738,282	A	4/1998	Grogan	7,328,859	B2	2/2008	Hornsby et al.
5,755,384	A	5/1998	Foster et al.	7,354,008	B2	4/2008	Hester et al.
D416,489	S *	11/1999	Sayers ..... D9/448	D569,726	S *	5/2008	Hildebrand ..... D9/448
6,006,950	A *	12/1999	Watanabe et al. .... 222/153.13	7,384,006	B2	6/2008	Hornsby et al.
D429,794	S *	8/2000	Beaver et al. .... D23/213	7,562,834	B2	7/2009	Hornsby et al.
6,446,882	B1	9/2002	Dukes et al.	7,568,637	B2	8/2009	Hornsby et al.
6,997,397	B1	2/2006	Keung et al.	7,588,198	B2	9/2009	Hornsby et al.
D519,371	S	4/2006	Hornsby et al.	2007/0272765	A1	11/2007	Kwasny
7,097,119	B2	8/2006	Hornsby et al.	2009/0032618	A1	2/2009	Hornsby et al.
7,246,755	B2	7/2007	Hornsby et al.	2009/0159723	A1	6/2009	Hornsby et al.

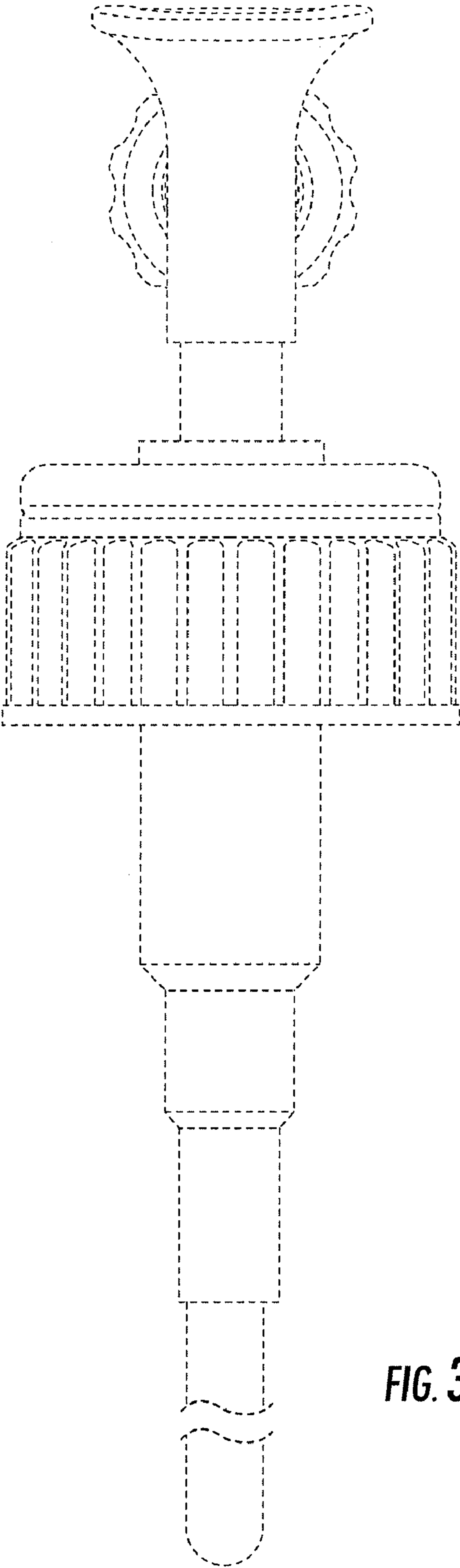
\* cited by examiner



**FIG. 1**



**FIG. 2**



**FIG. 3**

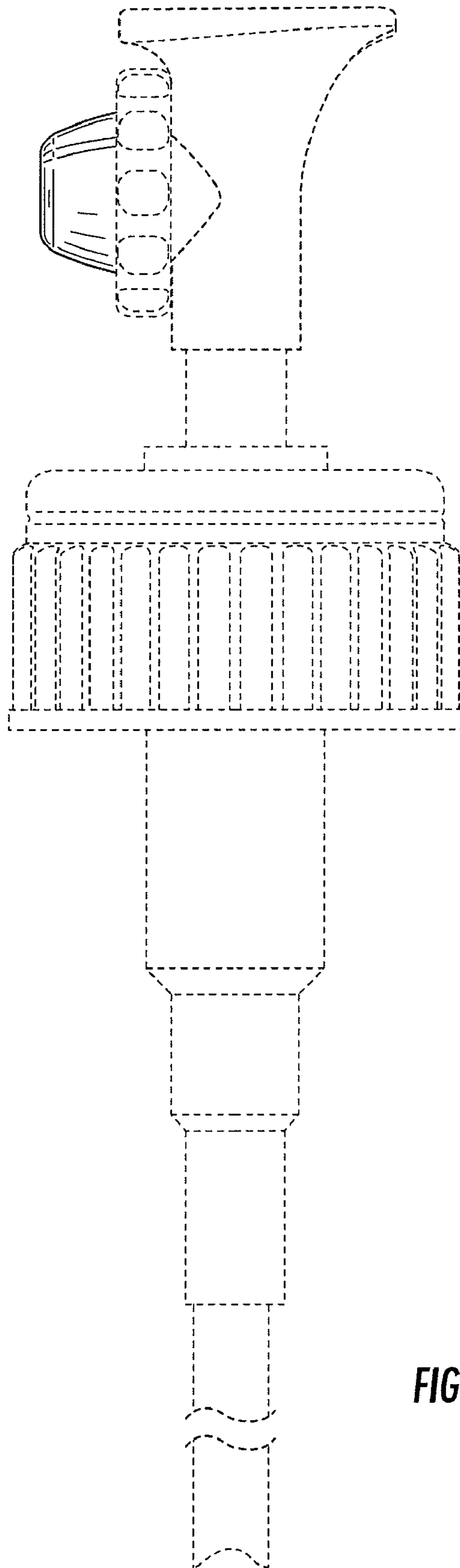
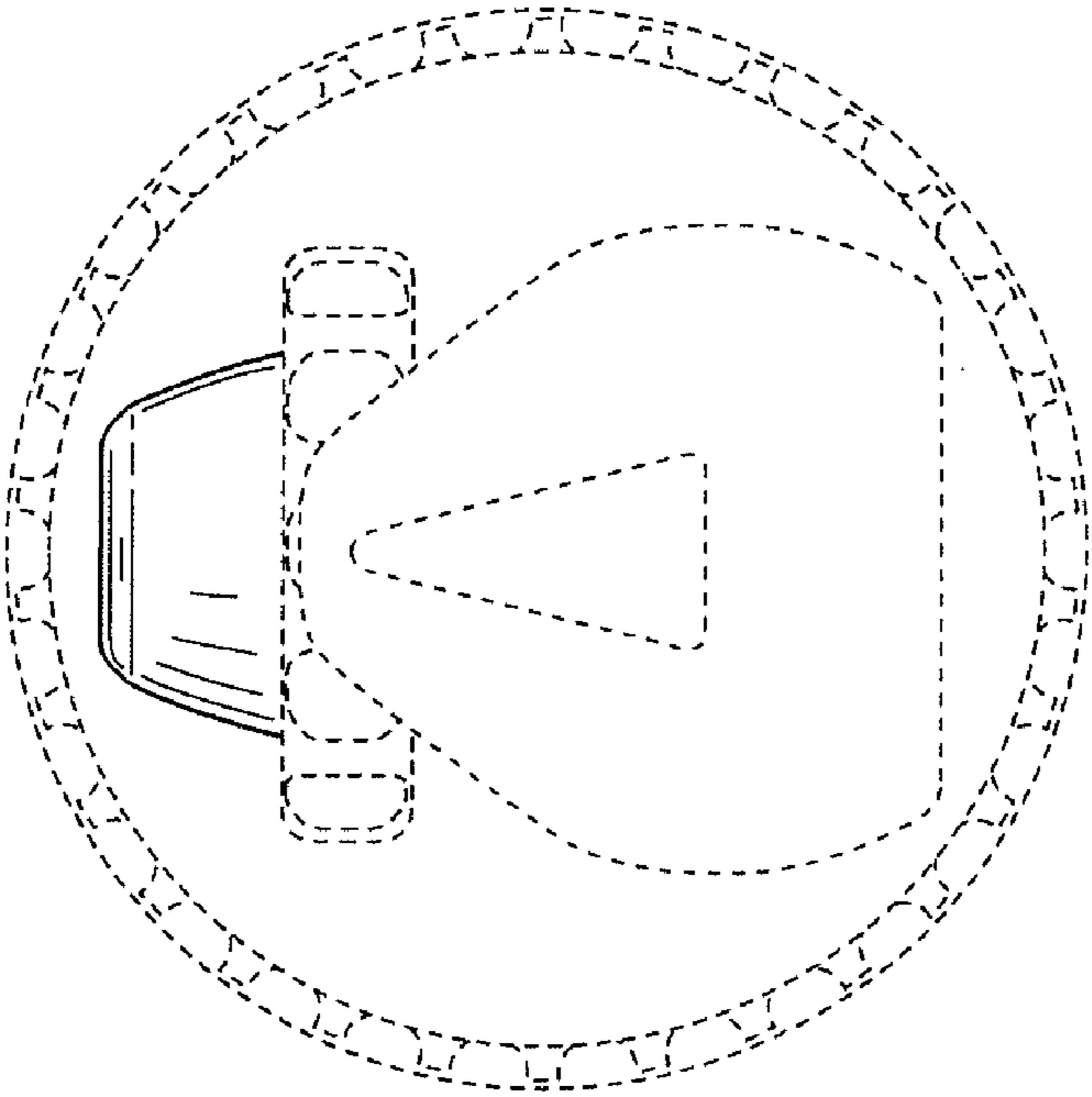
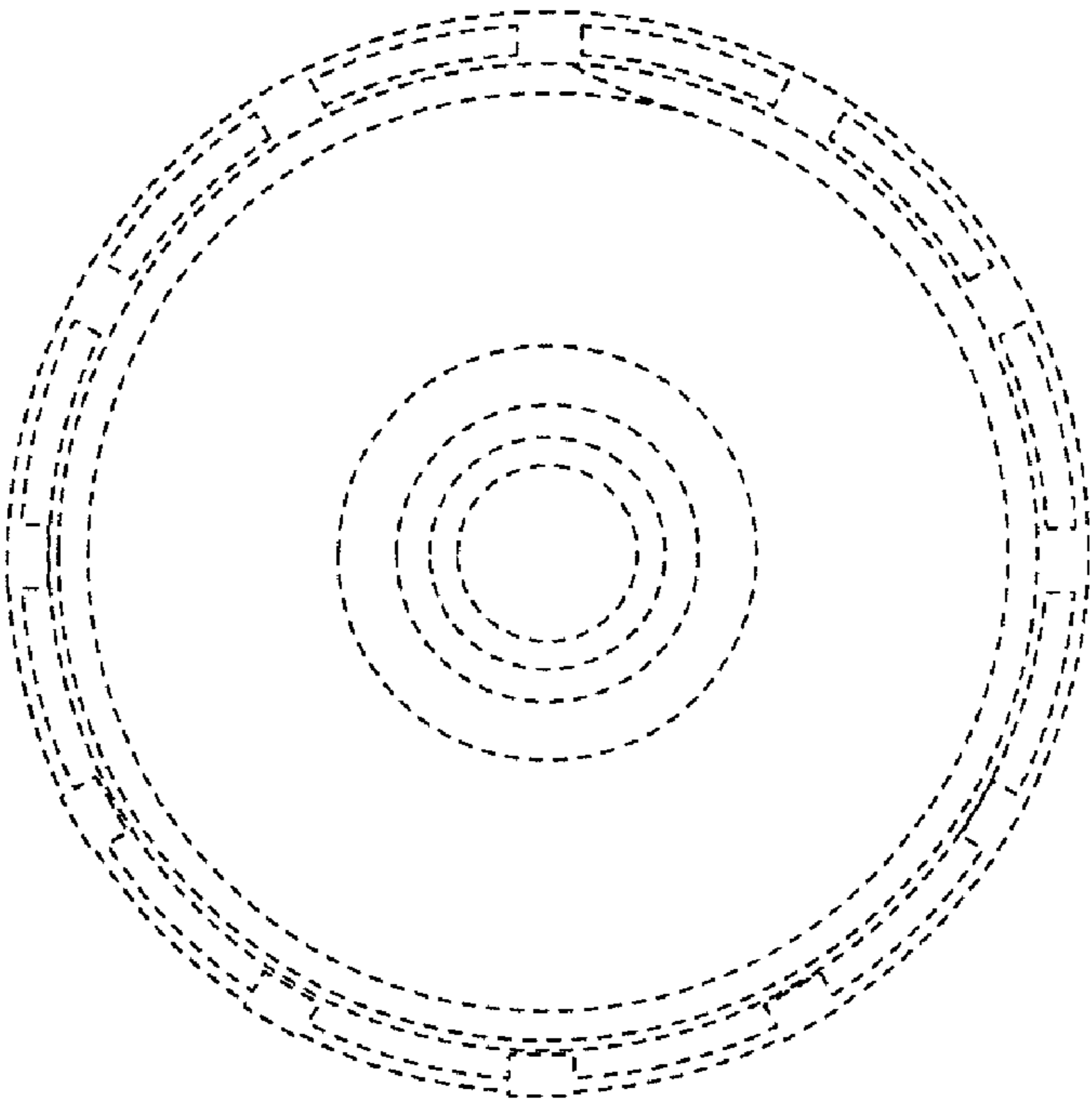


FIG. 4

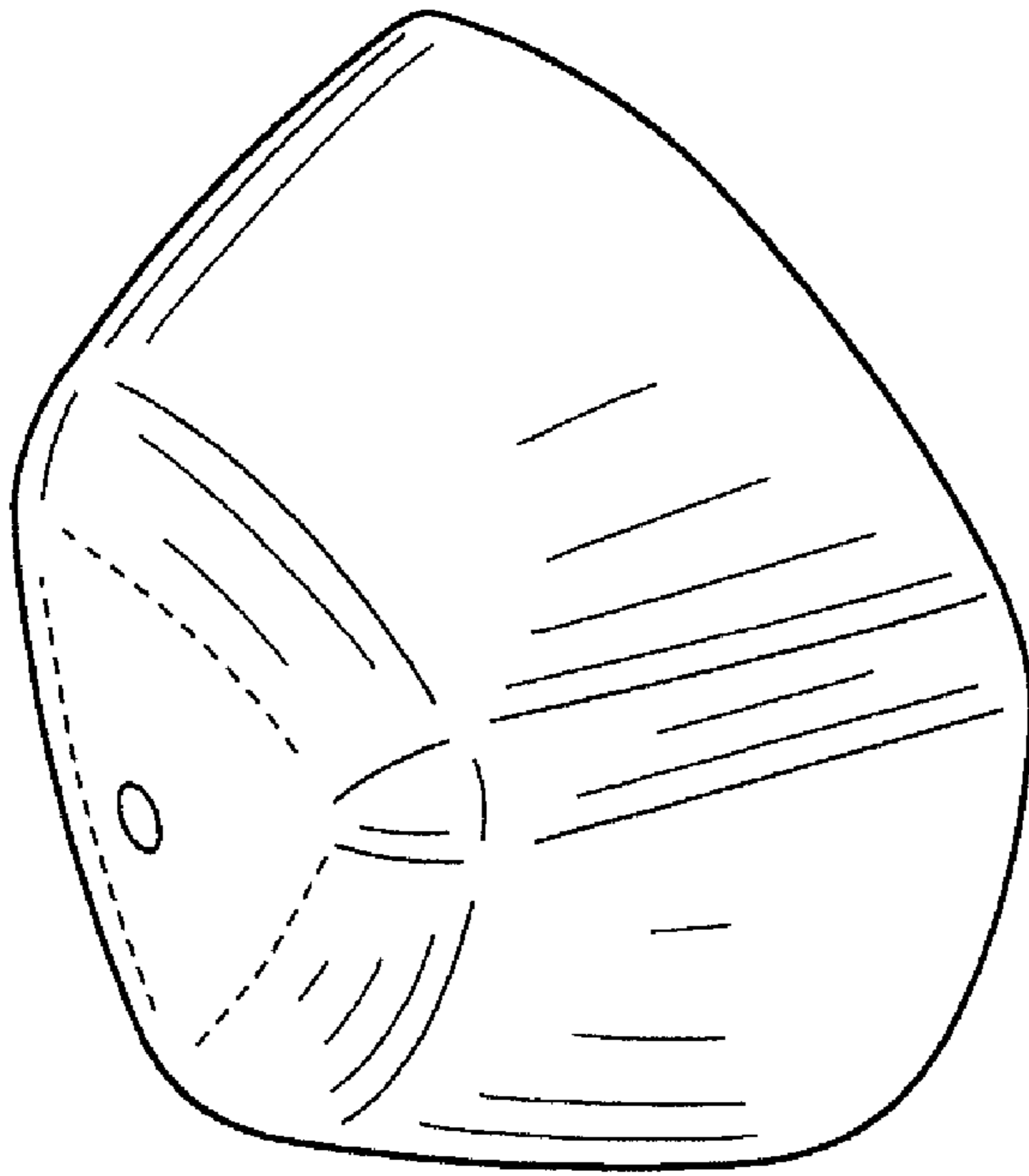


**FIG. 5**

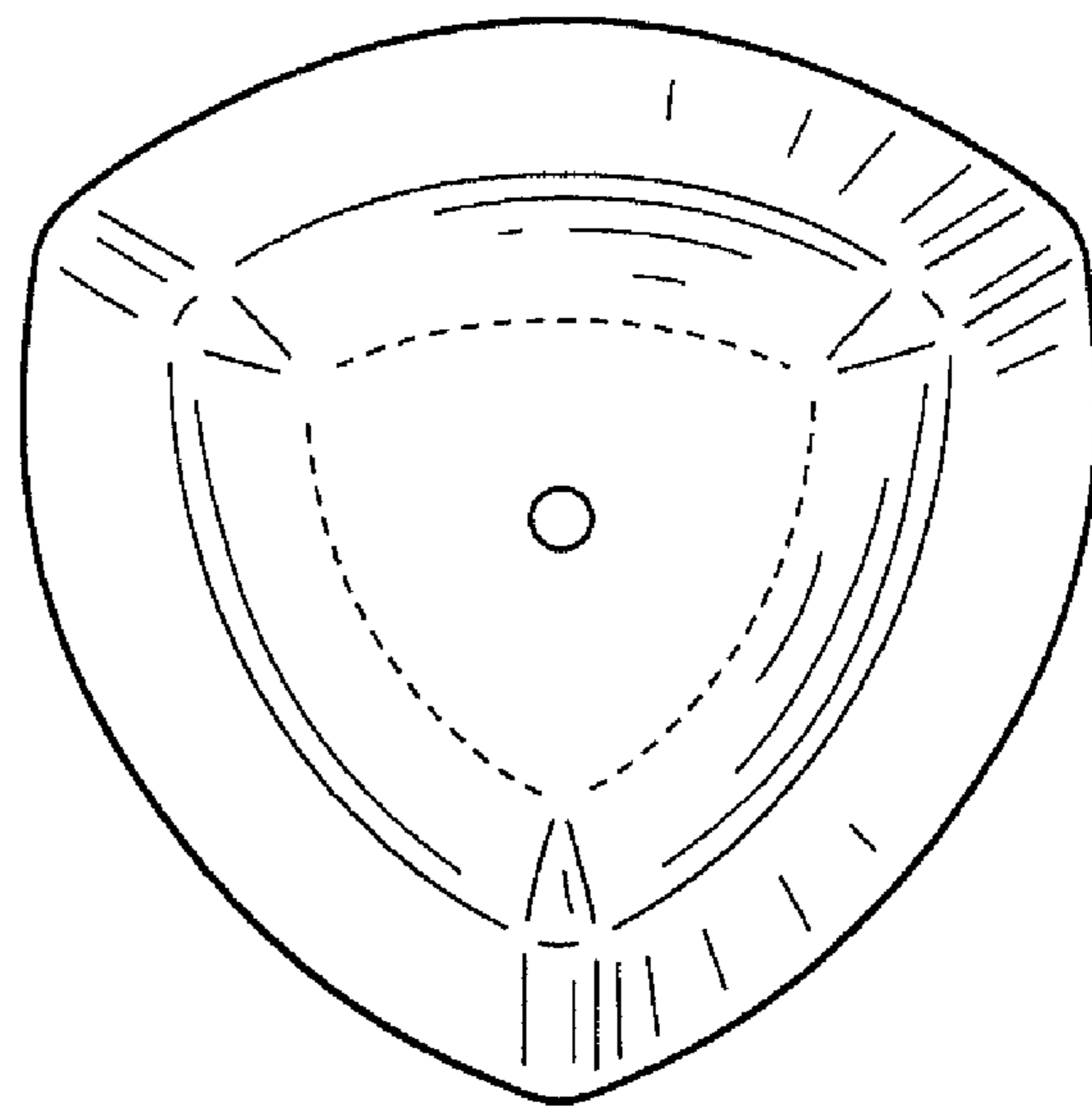


**FIG. 6**



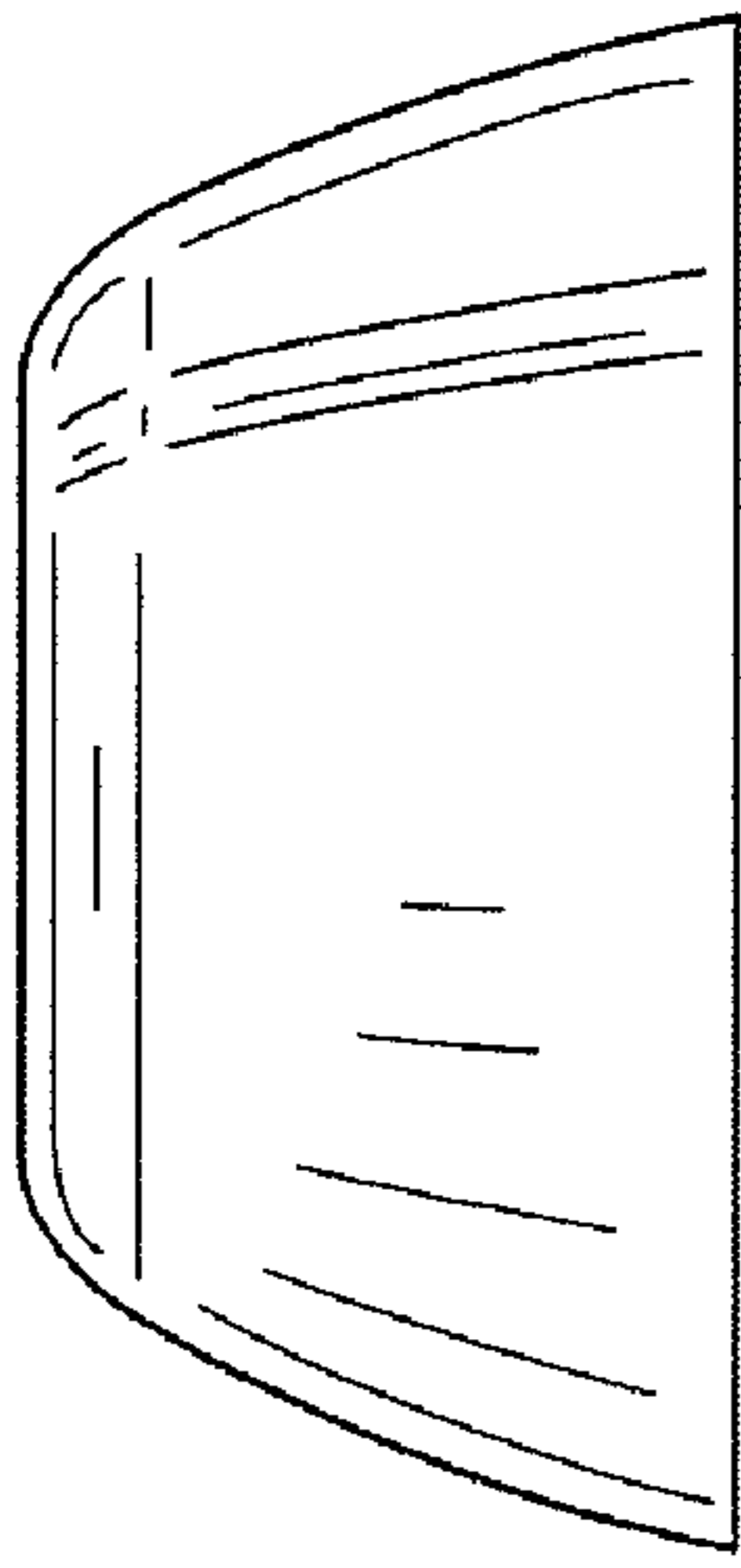


**FIG. 7**

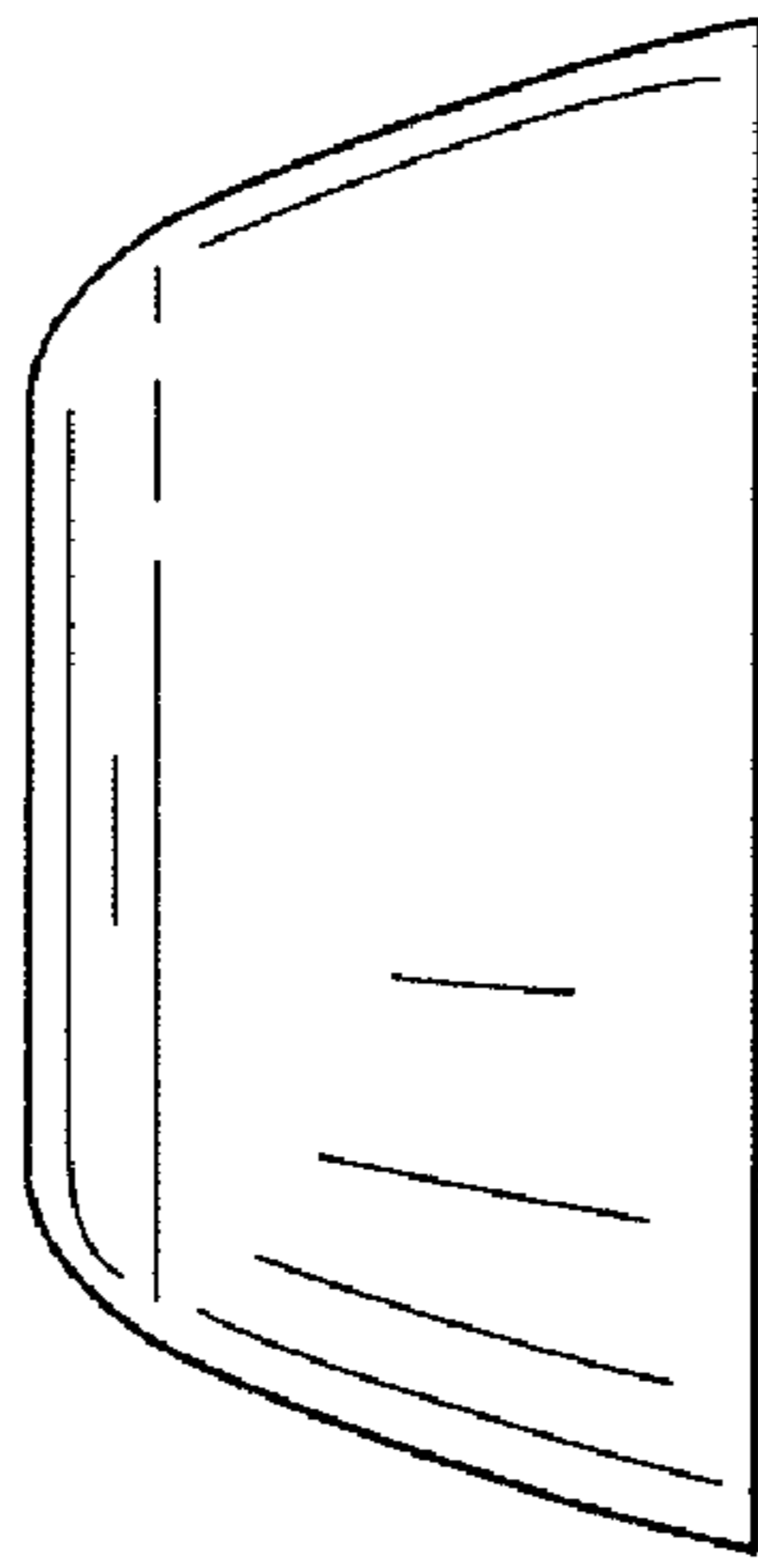


**FIG. 8**

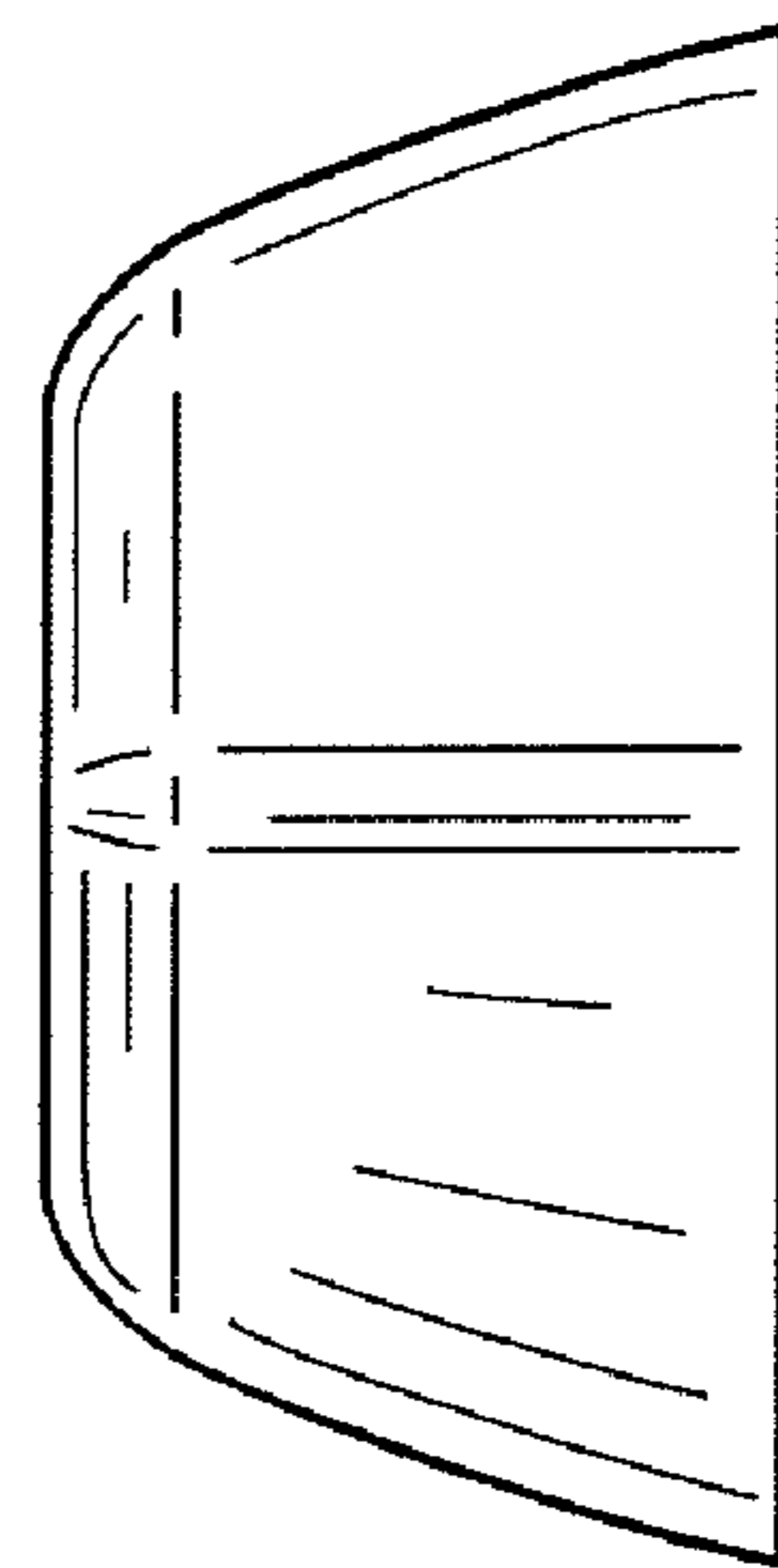




**FIG. 9**



**FIG. 10**



**FIG. 11**