



US00D628895S

(12) **United States Design Patent**  
**Simmons**

(10) **Patent No.:** **US D628,895 S**

(45) **Date of Patent:** **\*\* Dec. 14, 2010**

(54) **BOTTLE**

(75) Inventor: **Mike Simmons**, Concord (CA)

(73) Assignee: **KIK Custom Products Inc.**, Ontario (CA)

(\*\*) Term: **14 Years**

(21) Appl. No.: **29/342,478**

(22) Filed: **Aug. 26, 2009**

(30) **Foreign Application Priority Data**

Jul. 21, 2009 (CA) ..... 131503

(51) **LOC (9) Cl.** ..... **09-01**

(52) **U.S. Cl.** ..... **D9/541; D9/542; D9/566; D9/569; D9/651**

(58) **Field of Classification Search** ..... D9/651, D9/682, 686-687, 692-694, 516, 541-542, D9/546, 548, 553, 555, 566, 568, 573-574; 215/382-384, 396, 398

See application file for complete search history.

(56) **References Cited**

**U.S. PATENT DOCUMENTS**

D76,976 S *	11/1928	Applebaum	.....	D9/651
D152,875 S *	3/1949	Frame	.....	D9/542
D187,886 S *	5/1960	Hurlstone	.....	D9/566
D189,437 S *	12/1960	Koenigsberg	.....	D9/542
D191,641 S *	10/1961	Du Pree	.....	D9/541
D193,281 S *	7/1962	Hills	.....	D9/542
D194,286 S *	12/1962	Lilling	.....	D9/542
D199,151 S *	9/1964	Schnur	.....	D9/542
D207,798 S *	5/1967	Linn, Jr.	.....	D9/542
D213,671 S *	4/1969	Smith	.....	D9/542
D221,212 S *	7/1971	Douglas	.....	D9/542
D224,510 S *	8/1972	Koenigsberg	.....	D9/542
D224,513 S	8/1972	Koenigsberg		
D260,607 S *	9/1981	Stoy	.....	D9/542
D304,298 S *	10/1989	Bannister	.....	D9/546
D306,400 S *	3/1990	Beier-Rosetti	.....	D9/546
D313,352 S *	1/1991	Segati	.....	D9/542
D382,486 S *	8/1997	Heinz	.....	D9/546

D477,227 S *	7/2003	Goswell	.....	D9/651
D540,173 S *	4/2007	Obuchi	.....	D9/553 X
D568,756 S	5/2008	Lablaine		
D568,757 S	5/2008	Lablaine		
D569,262 S	5/2008	Lablaine		
D570,225 S	6/2008	Lablaine		
D571,221 S	6/2008	Lablaine		
D573,895 S	7/2008	Lablaine		
D573,896 S	7/2008	Lablaine		
D574,255 S	8/2008	Lablaine		
D574,256 S	8/2008	Lablaine		
D578,008 S	10/2008	Lablaine		
D581,804 S	12/2008	Lablaine		

(Continued)

**OTHER PUBLICATIONS**

“Bottle”; Canadian Industrial Designs Database; Registration No. 52512; Feb. 13, 1984; 6 pages.

(Continued)

*Primary Examiner*—Carol Rademaker  
(74) *Attorney, Agent, or Firm*—The Webb Law Firm

(57) **CLAIM**

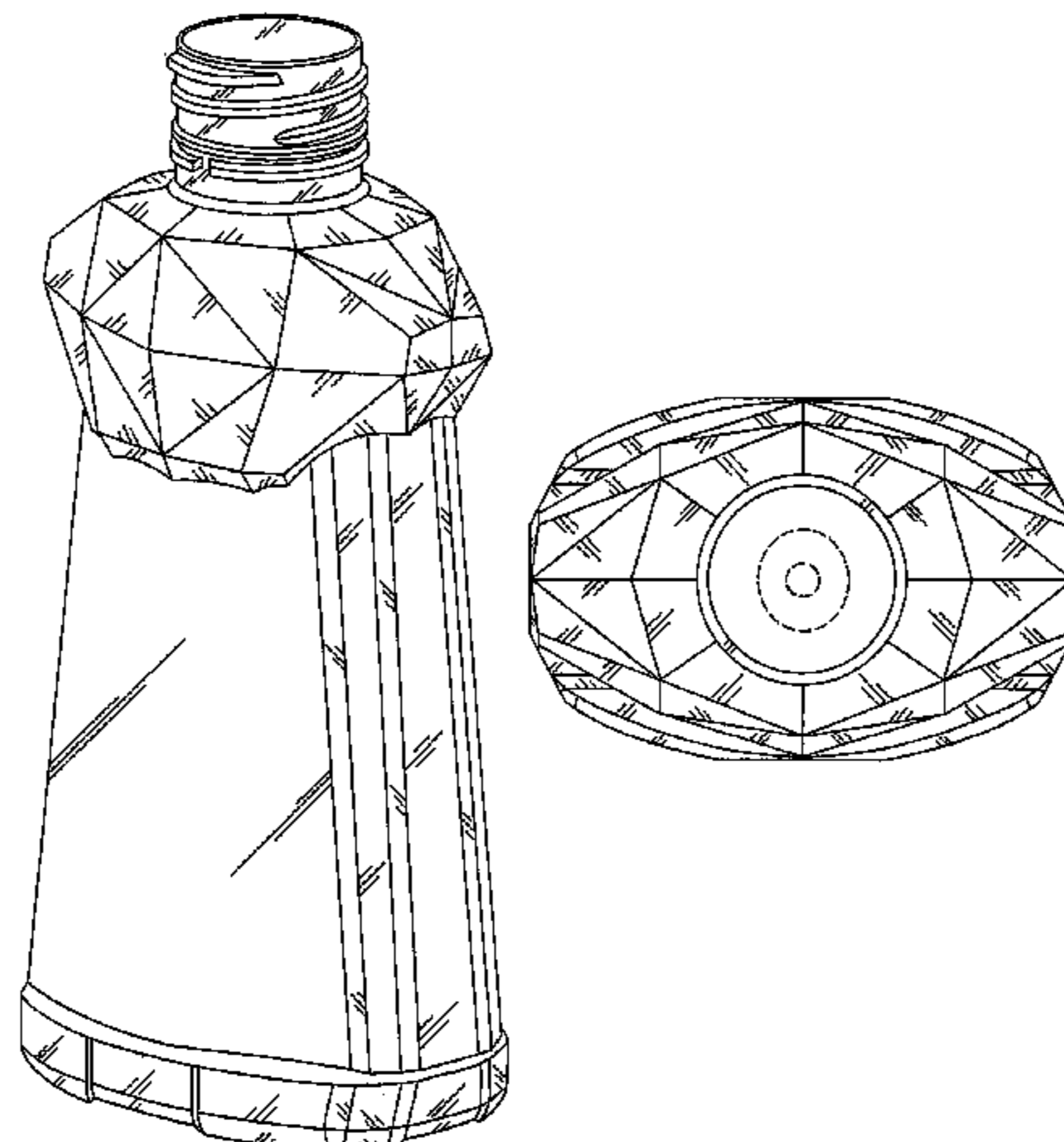
The ornamental design of a bottle, as shown and described.

**DESCRIPTION**

FIG. 1 is a right, front perspective view of a bottle in accordance with the present invention;  
FIG. 2 is a front view thereof;  
FIG. 3 is a back view thereof;  
FIG. 4 is a right side view thereof;  
FIG. 5 is a left side view thereof; and,  
FIG. 6 is a top view thereof.

The broken lines shown in the drawings are included for the purpose of showing environmental structure that forms no part of the claimed design.

**1 Claim, 6 Drawing Sheets**



# US D628,895 S

Page 2

---

## U.S. PATENT DOCUMENTS

D586,226 S \* 2/2009 Lloyd ..... D9/573 X  
D588,467 S 3/2009 Lablaine  
D595,590 S 7/2009 Lablaine

## OTHER PUBLICATIONS

“Bottle”; Canadian Industrial Designs Database; Registration No. 77443; Oct. 26, 1995; 11 pages.  
“Bottle”; Canadian Industrial Designs Database; Registration No. 57043; Sep. 23, 1986; 7 pages.  
“Bottle”; Canadian Industrial Designs Database; Registration No. 72099; Jan. 14, 1993; 10 pages.  
“Bottle”; Canadian Industrial Designs Database; Registration No. 82293; Nov. 7, 1997; 9 pages.  
“Bottle”; Canadian Industrial Designs Database; Registration No. 88101; Nov. 19, 1999; 6 pages.

“Bottle Neck”; Canadian Industrial Designs Database; Registration No. 88585; Jan. 28, 2000; 5 pages.  
“Bottle”; Canadian Industrial Designs Database; Registration No. 97987; Feb. 17, 2003; 4 pages.  
“Bottle”; Canadian Industrial Designs Database; Registration No. 119119; Jul. 15, 2008; 7 pages.  
“Bottle”; Canadian Industrial Designs Database; Registration No. 119120; Jul. 15, 2008; 7 pages.  
“Bottle”; Canadian Industrial Designs Database; Registration No. 119121; Jul. 15, 2008; 7 pages.  
“Bottle”; Canadian Industrial Designs Database; Registration No. 119122; Jul. 15, 2008; 7 pages.  
“Bottle”; Canadian Industrial Designs Database; Registration No. 119123; Jul. 15, 2008; 7 pages.  
“Bottle”; Canadian Industrial Designs Database; Registration No. 119124; Jul. 15, 2008; 7 pages.

\* cited by examiner

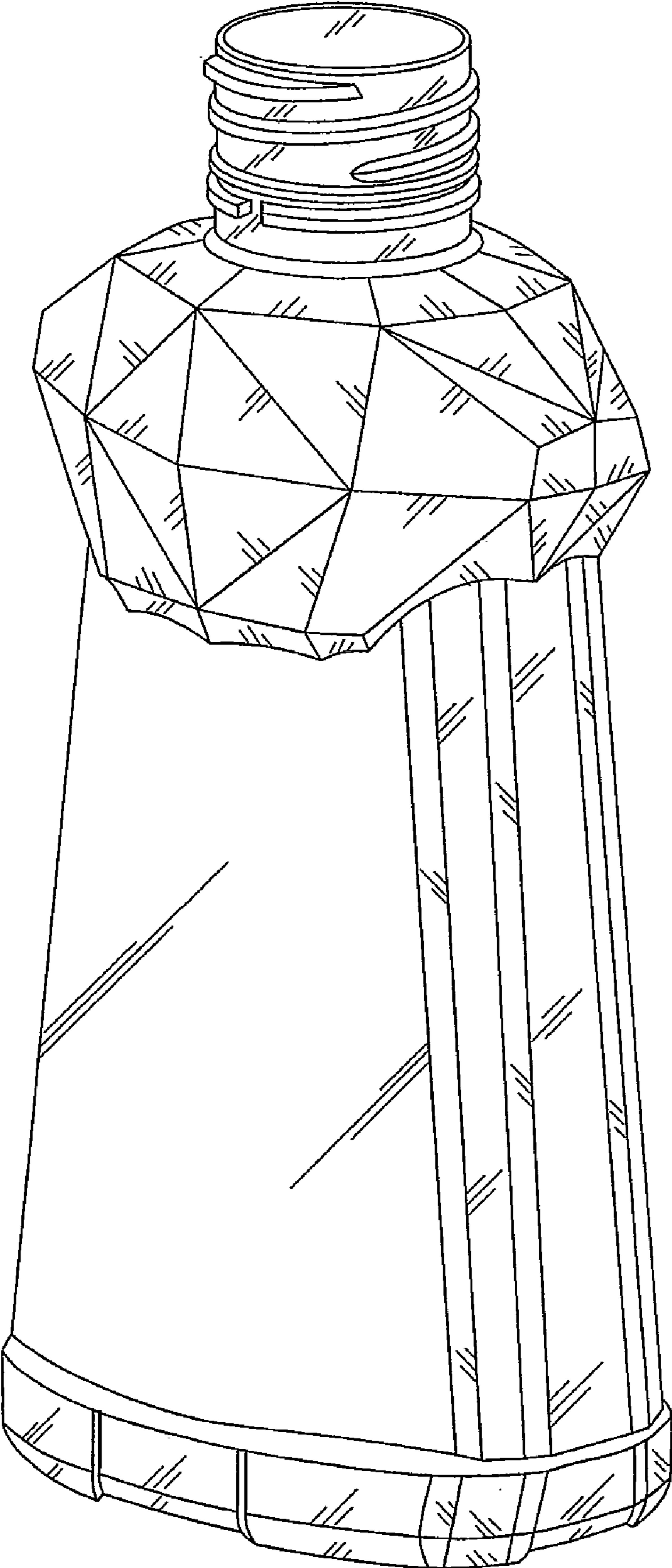


FIG. 1

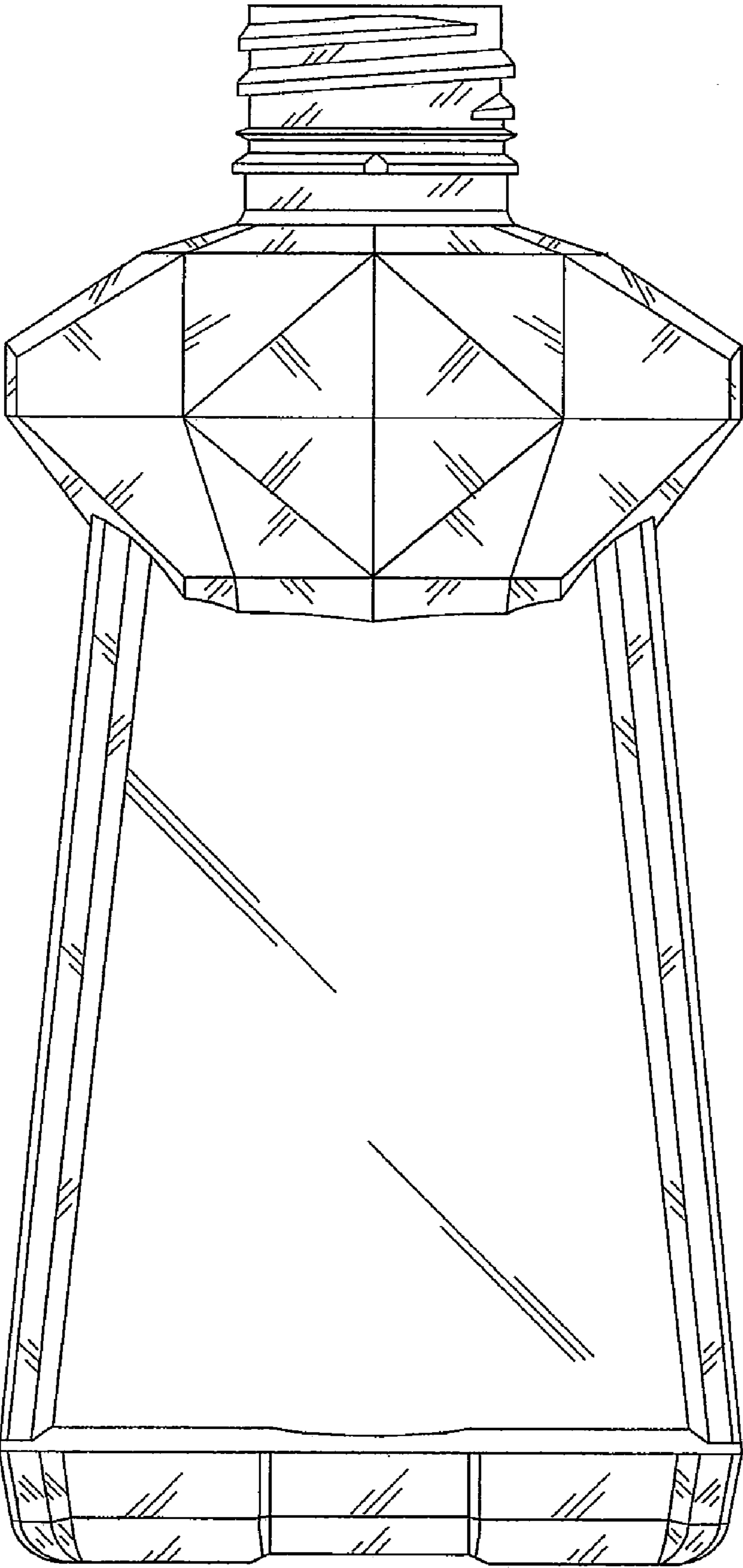


FIG. 2

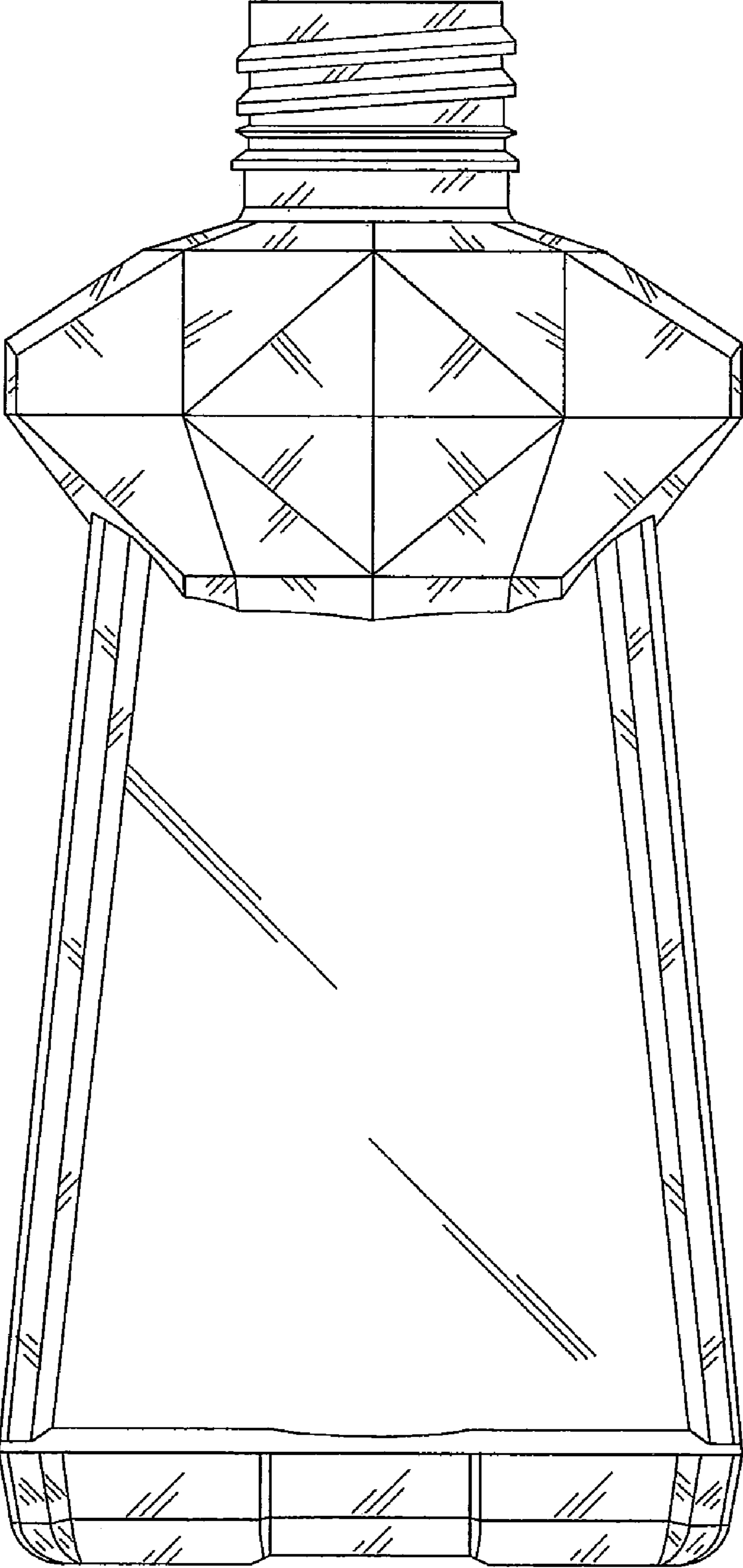


FIG. 3

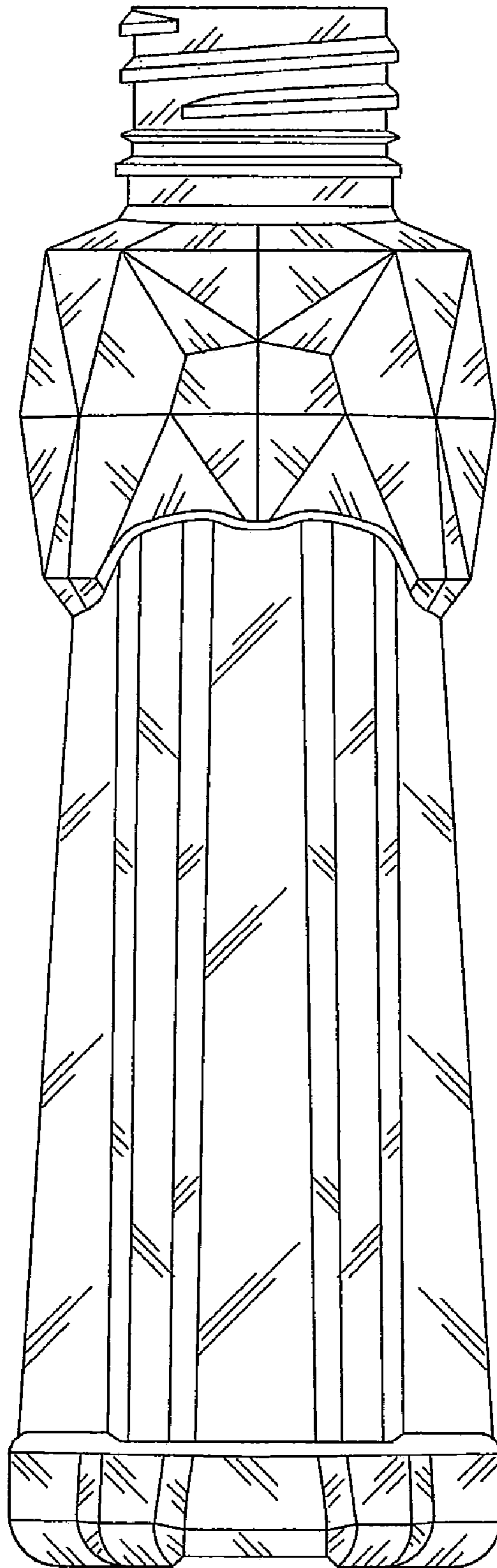


FIG. 4

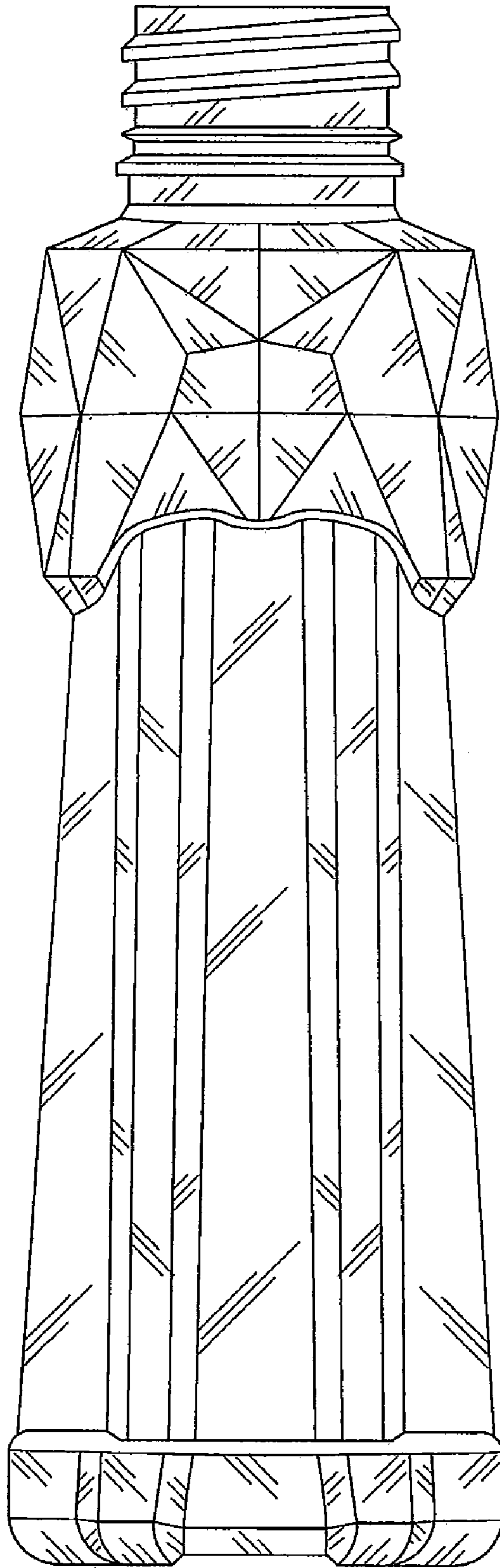


FIG. 5

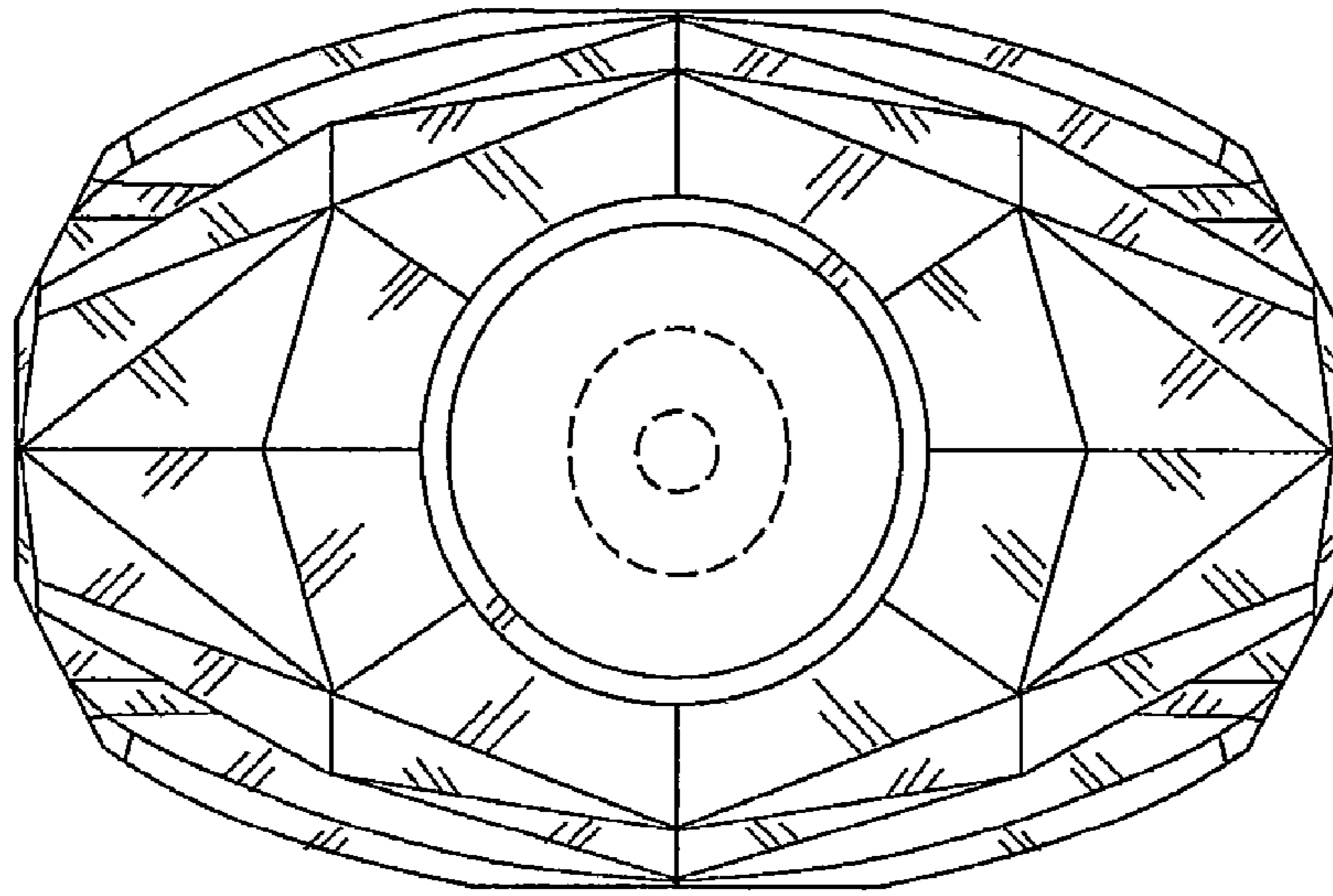


FIG. 6