



US00D628894S

(12) **United States Design Patent**  
**Pontes**

(10) **Patent No.:** **US D628,894 S**  
(45) **Date of Patent:** **\*\* Dec. 14, 2010**

(54) **PROTECTIVE SEAL FOR USE IN CANS OR THE LIKE FOR PACKAGING BEVERAGES OR THE LIKE**

FOREIGN PATENT DOCUMENTS

DE 43 13 375 A1 11/1993

(Continued)

(75) Inventor: **Jacques Pontes**, São Paulo (BR)

OTHER PUBLICATIONS

(73) Assignee: **CBE - Companhia Brasileira de Embalagens S/A**, Sao Paulo, SP (BR)

U.S. Appl. No. 12/603,886, filed Oct. 22, 2009; In re: Pontes; entitled *Protective Seal Applied to a Beverage Can and a Process of Applying a Protective Seal to Beverage Cans After Canning the Beverage*.

(\*\*) Term: **14 Years**

(Continued)

(21) Appl. No.: **29/362,332**

Primary Examiner—Susan Bennett Hattan

(22) Filed: **May 24, 2010**

(74) Attorney, Agent, or Firm—Alston & Bird LLP

**Related U.S. Application Data**

(57) **CLAIM**

(63) Continuation of application No. 29/345,589, filed on Oct. 19, 2009, which is a continuation-in-part of application No. 29/328,937, filed on Dec. 4, 2008, now Pat. No. Des. 608,638.

I claim the ornamental design for a protective seal for use in cans or the like for packaging beverages or the like, as shown and described.

(51) **LOC (9) Cl.** ..... **09-07**

**DESCRIPTION**

(52) **U.S. Cl.** ..... **D9/454**

(58) **Field of Classification Search** ..... D9/529, D9/521, 454, 452, 447, 445, 435, 530, 453, D9/724, 448, 538, 438; 220/200, 806, 716, 220/258.2, 257.1; 215/200, 261, 260; 222/520, 222/521, 212

FIG. 1 is a right side elevation view of a protective seal for use in cans or the like for packaging beverages or the like showing my new design;

See application file for complete search history.

FIG. 2 is a front elevation view thereof;

FIG. 3 is a top plan view thereof;

FIG. 4 is a left side elevation view thereof;

(56) **References Cited**

U.S. PATENT DOCUMENTS

3,013,687 A	12/1961	Gould	
D192,539 S	4/1962	Terwilliger	
3,339,792 A *	9/1967	Biglin	220/782
D244,065 S	4/1977	Daenen	
D248,216 S *	6/1978	Allen et al.	D9/778
4,166,552 A	9/1979	Faulstich	
D258,576 S *	3/1981	Smith	D9/452
D271,945 S *	12/1983	Ochs	D9/452
D286,026 S	10/1986	Rayner	
D291,971 S	9/1987	Smith	

FIG. 5 is a rear elevation view thereof;

FIG. 6 is a bottom plan view thereof;

FIG. 7 is an enlarged perspective view thereof;

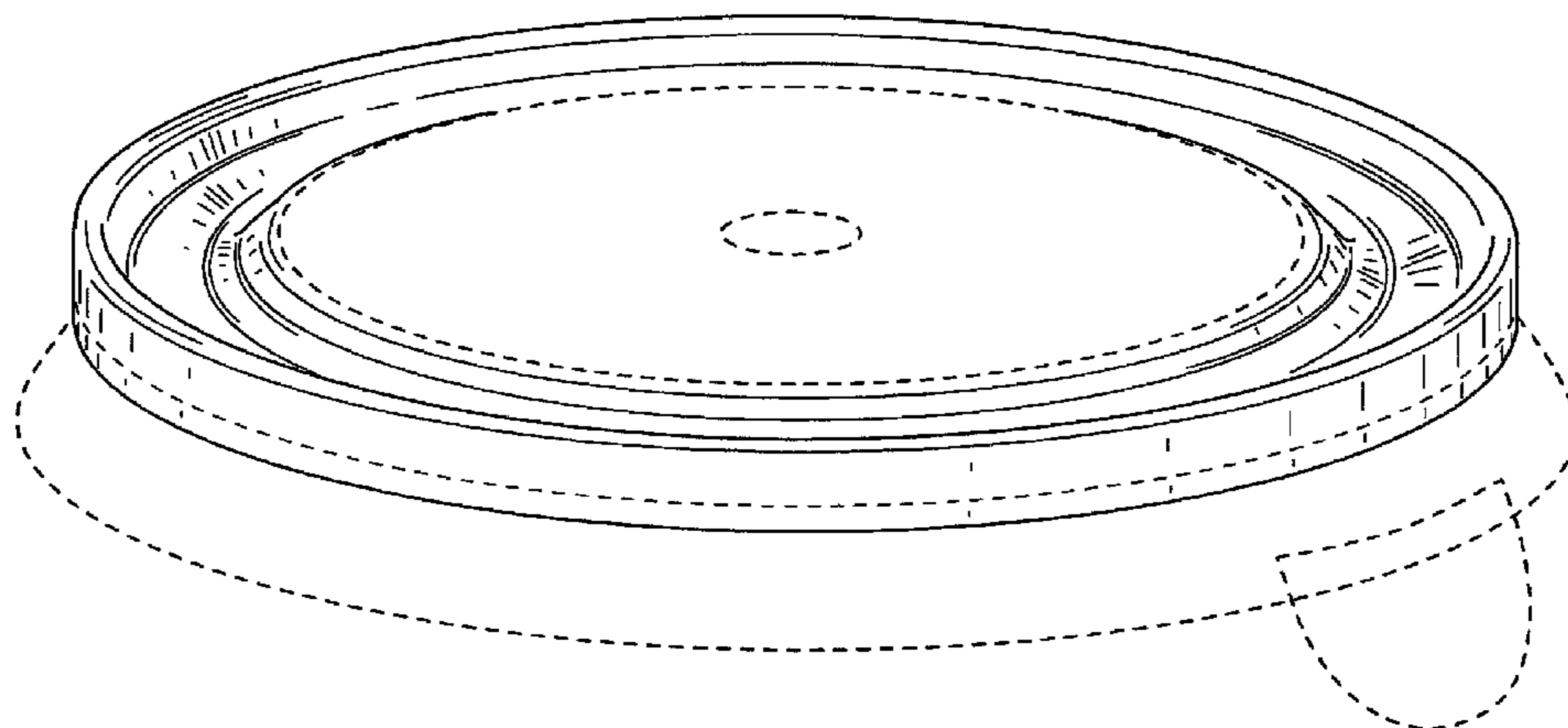
FIG. 8 is another enlarged perspective view thereof; and,

FIG. 9 is an enlarged cross-section of a portion thereof taken along line 9—9.

The broken lines immediately adjacent solid lines represent bounds of the claimed design and environment while all other broken lines are directed to environment and are for illustrative purposes only. The broken lines form no part of the claimed design.

(Continued)

**1 Claim, 5 Drawing Sheets**



# US D628,894 S

Page 2

## U.S. PATENT DOCUMENTS

5,139,163 A 8/1992 Diaz  
5,213,224 A 5/1993 Luch  
5,346,088 A 9/1994 Brimo, II  
D353,328 S \* 12/1994 Nuffer ..... D9/446  
D359,451 S 6/1995 Dees  
D359,685 S 6/1995 Luch  
5,452,818 A 9/1995 Yost  
D381,267 S \* 7/1997 Rush et al. .... D9/452  
D381,906 S \* 8/1997 Bartsch ..... D9/438  
D389,058 S \* 1/1998 Landis ..... D9/438  
D415,420 S \* 10/1999 Chen ..... D9/428  
D419,447 S \* 1/2000 Molloy ..... D9/449  
6,015,059 A \* 1/2000 Takayama ..... 220/257.2  
D425,422 S \* 5/2000 David ..... D9/503  
6,073,797 A 6/2000 Barous  
6,082,567 A 7/2000 Bietzer et al.  
D436,862 S \* 1/2001 Witt et al. .... D9/438  
D445,030 S \* 7/2001 Croft et al. .... D9/502  
D445,687 S 7/2001 Gilbertson  
D447,056 S 8/2001 Caserta  
D448,291 S \* 9/2001 Melhede ..... D9/434  
D462,269 S \* 9/2002 Hunter et al. .... D9/435  
6,443,323 B1 9/2002 DeRose  
D468,002 S \* 12/2002 Steffan ..... D23/260  
D489,005 S \* 4/2004 Miceli et al. .... D9/435  
D489,610 S \* 5/2004 Miceli et al. .... D9/435  
D489,620 S \* 5/2004 Goodell et al. .... D9/503  
D492,596 S \* 7/2004 Miceli et al. .... D9/435  
D495,600 S 9/2004 Kouri  
D501,793 S \* 2/2005 Carmichael et al. .... D9/503  
D503,620 S \* 4/2005 Taylor ..... D9/518

D504,066 S \* 4/2005 King ..... D9/453  
D509,748 S \* 9/2005 Carmichael et al. .... D9/556  
D512,636 S \* 12/2005 Pace ..... D9/504  
D515,429 S \* 2/2006 Pace ..... D9/529  
D517,408 S 3/2006 Gonzalez  
D534,799 S \* 1/2007 Henry et al. .... D9/435  
D543,857 S \* 6/2007 Shu ..... D9/529  
D547,652 S \* 7/2007 Kerman et al. .... D9/438  
D550,078 S \* 9/2007 Henry et al. .... D9/435  
D564,356 S 3/2008 Nickleberry  
D576,877 S 9/2008 Alcamo et al.  
D584,613 S \* 1/2009 Yan et al. .... D9/438  
D604,614 S \* 11/2009 Janboecke ..... D9/454  
D608,638 S 1/2010 Pontes  
D609,091 S \* 2/2010 Dubach ..... D9/438  
D614,952 S \* 5/2010 Caserta ..... D9/438  
2009/0320741 A1 12/2009 Pontes

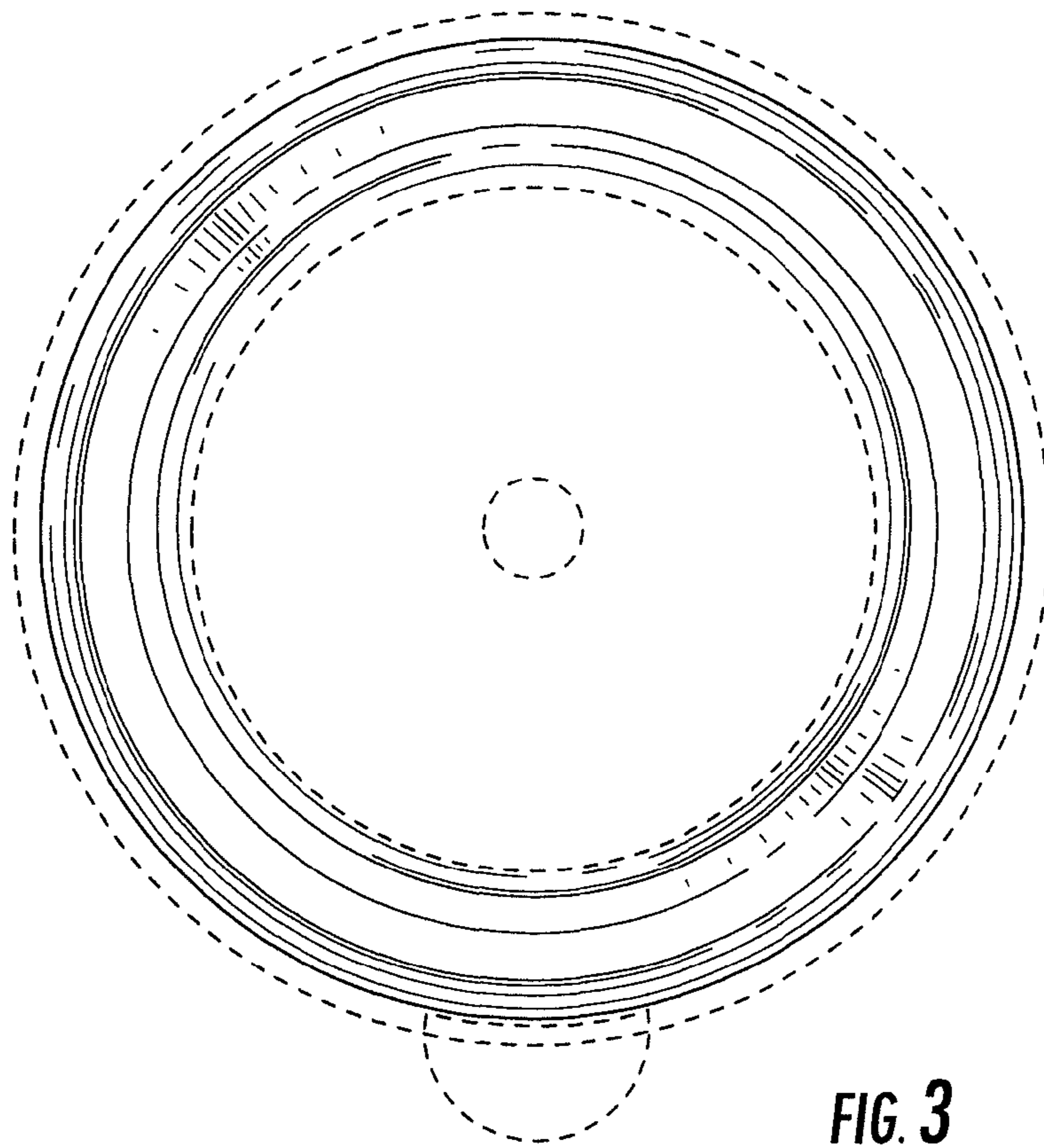
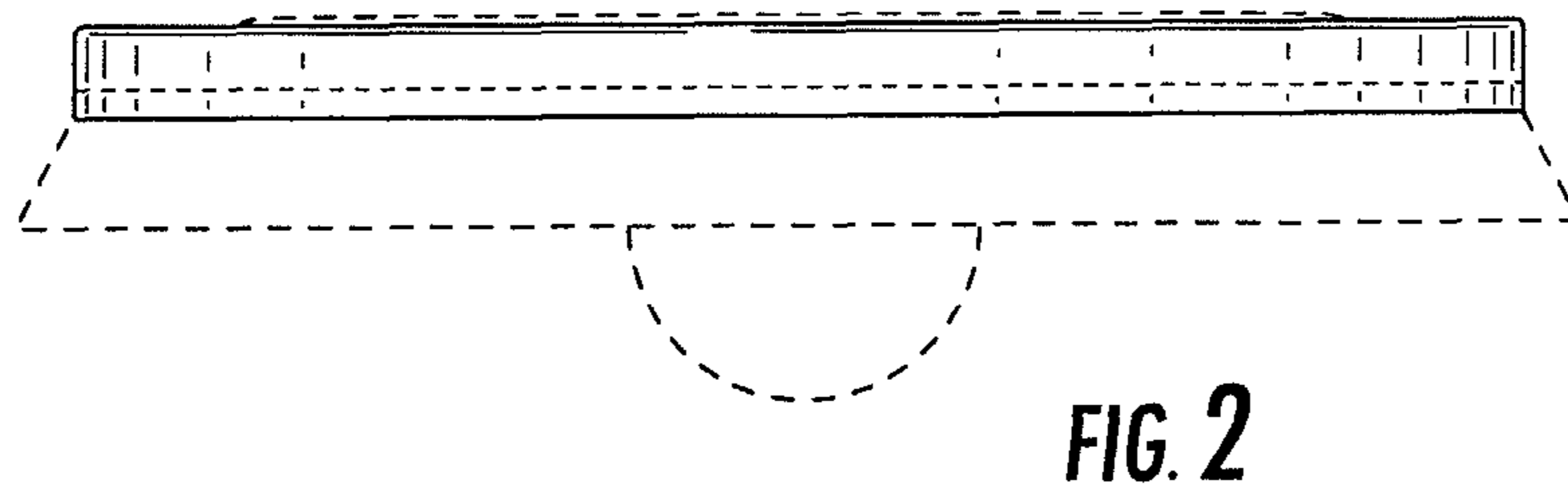
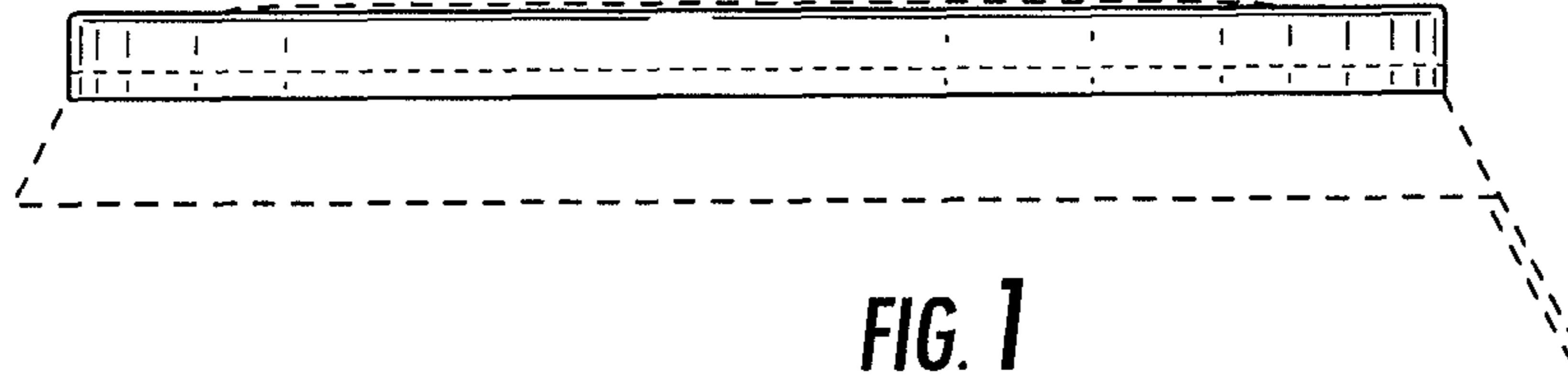
## FOREIGN PATENT DOCUMENTS

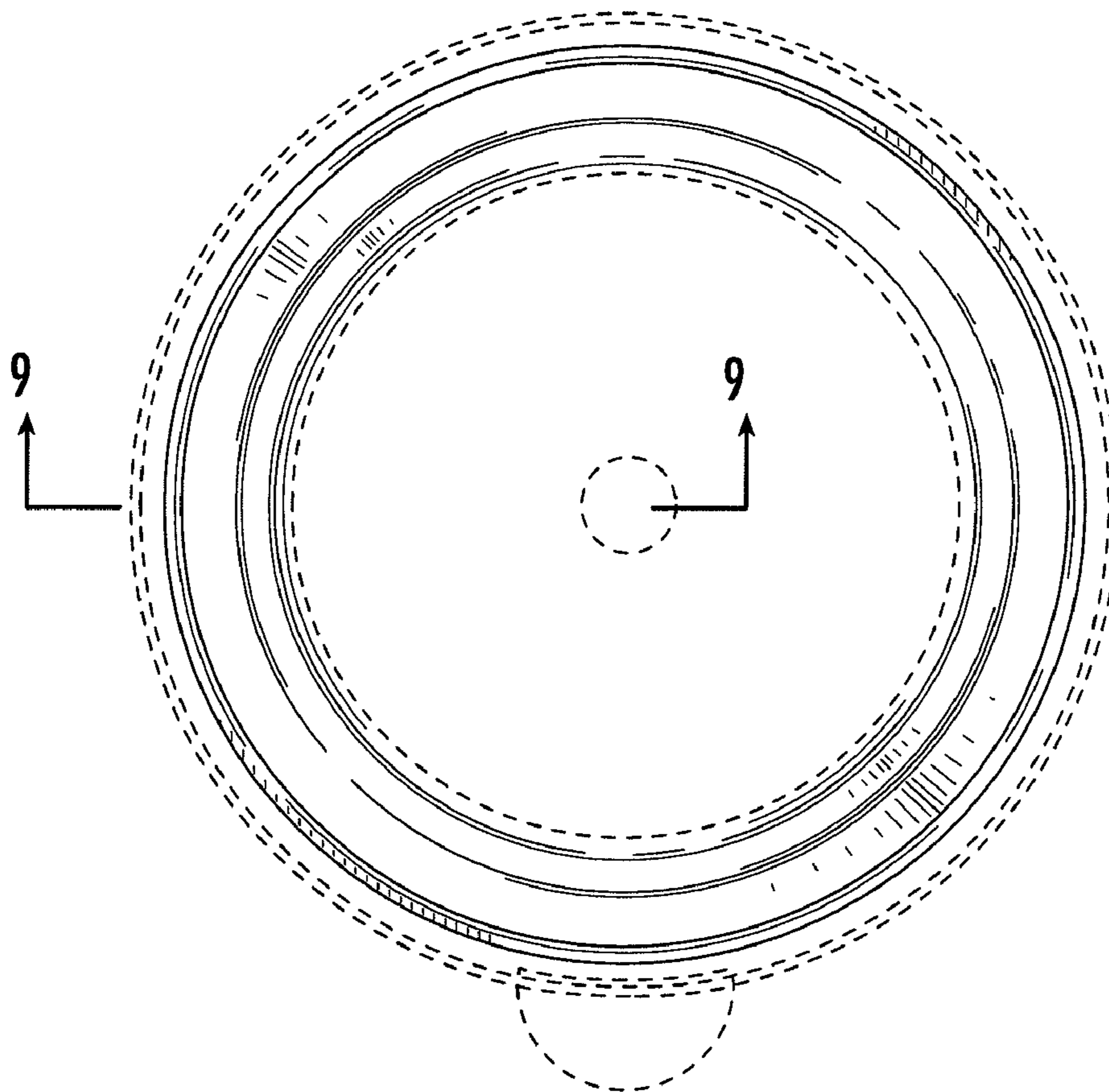
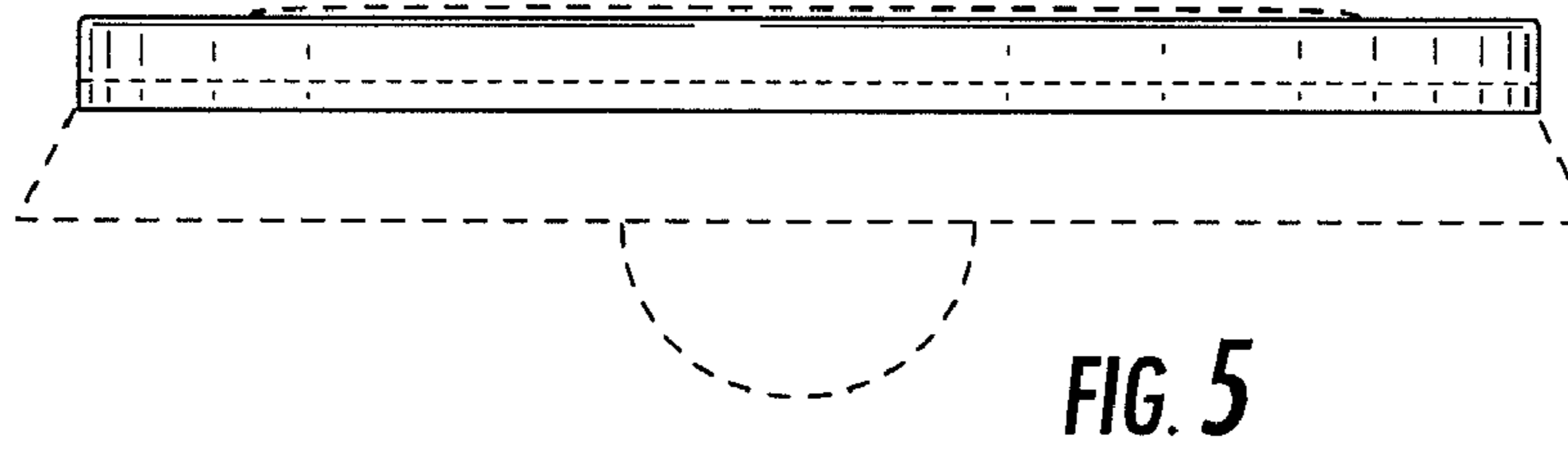
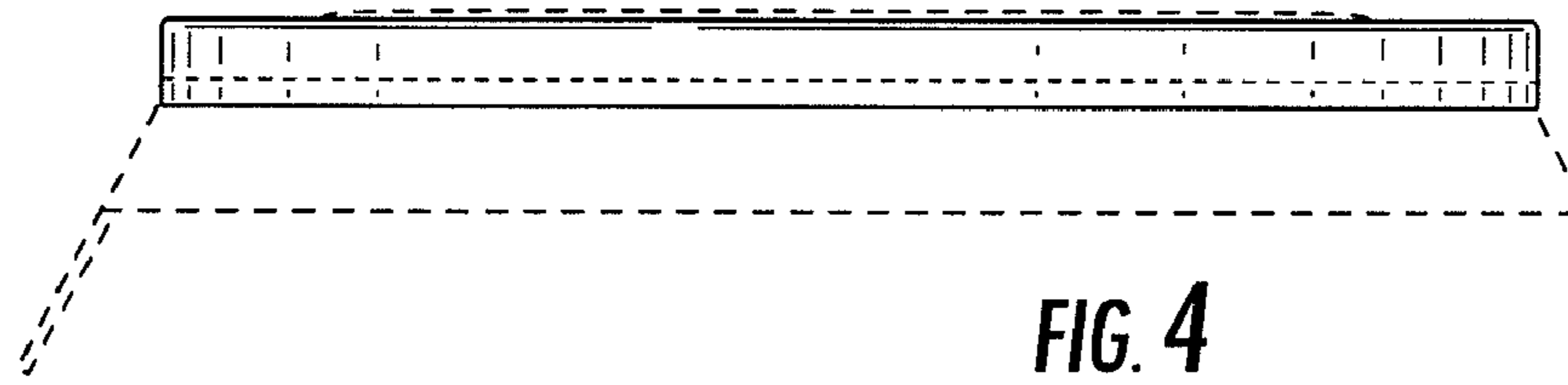
GR 1004381 B1 11/2003  
JP 3148492 A 6/1991  
MU 8301816-6 U 4/2005  
MU 8303346-7 U 7/2005  
MU 8501669-1 U 12/2005  
WO WO 01/15990 A1 3/2001

## OTHER PUBLICATIONS

U.S. Appl. No. 29/345,589, filed Oct. 19, 2009; In re: Ponte; entitled *Configuration Applied to a Protective Seal for Use in Cans or the Like for Packaging Beverages or the Like*.

\* cited by examiner





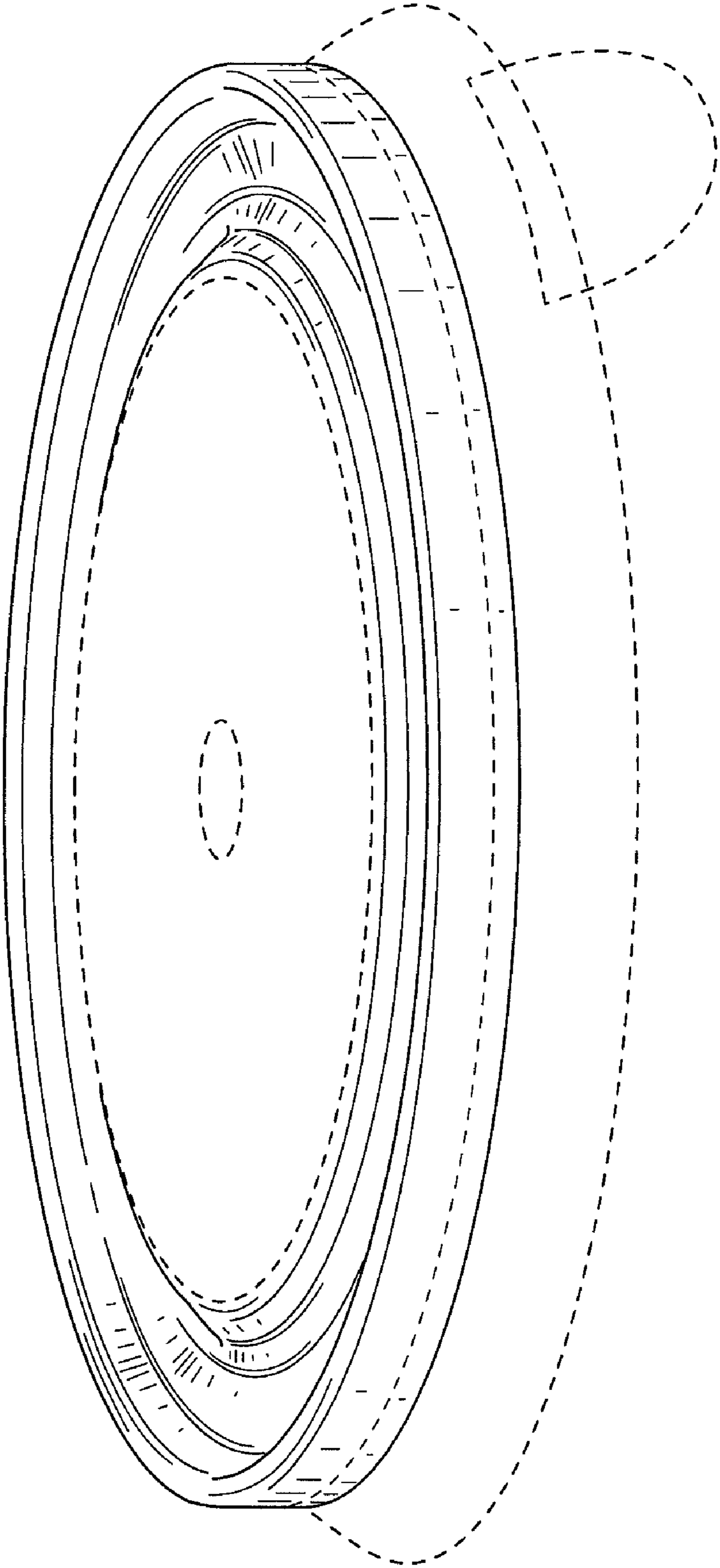


FIG. 7

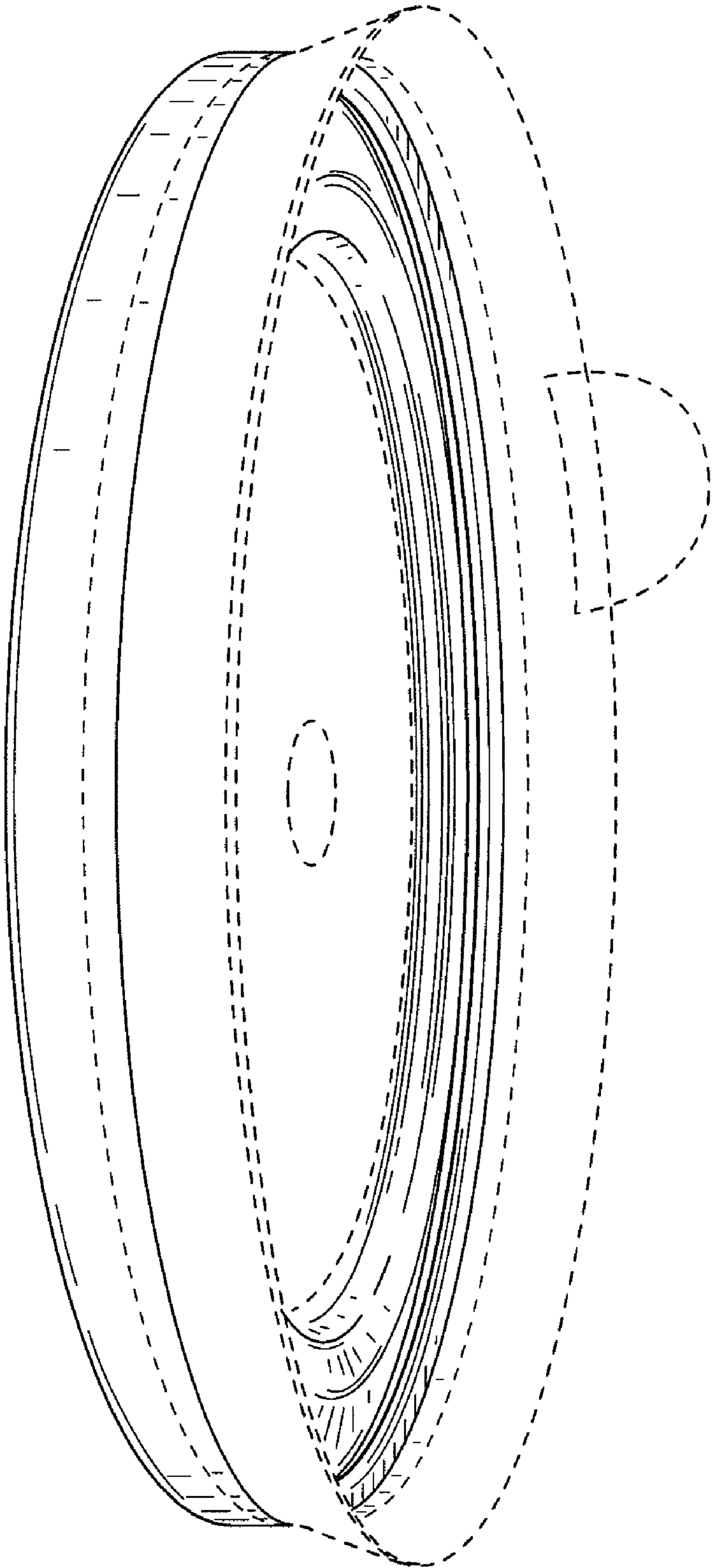


FIG. 8

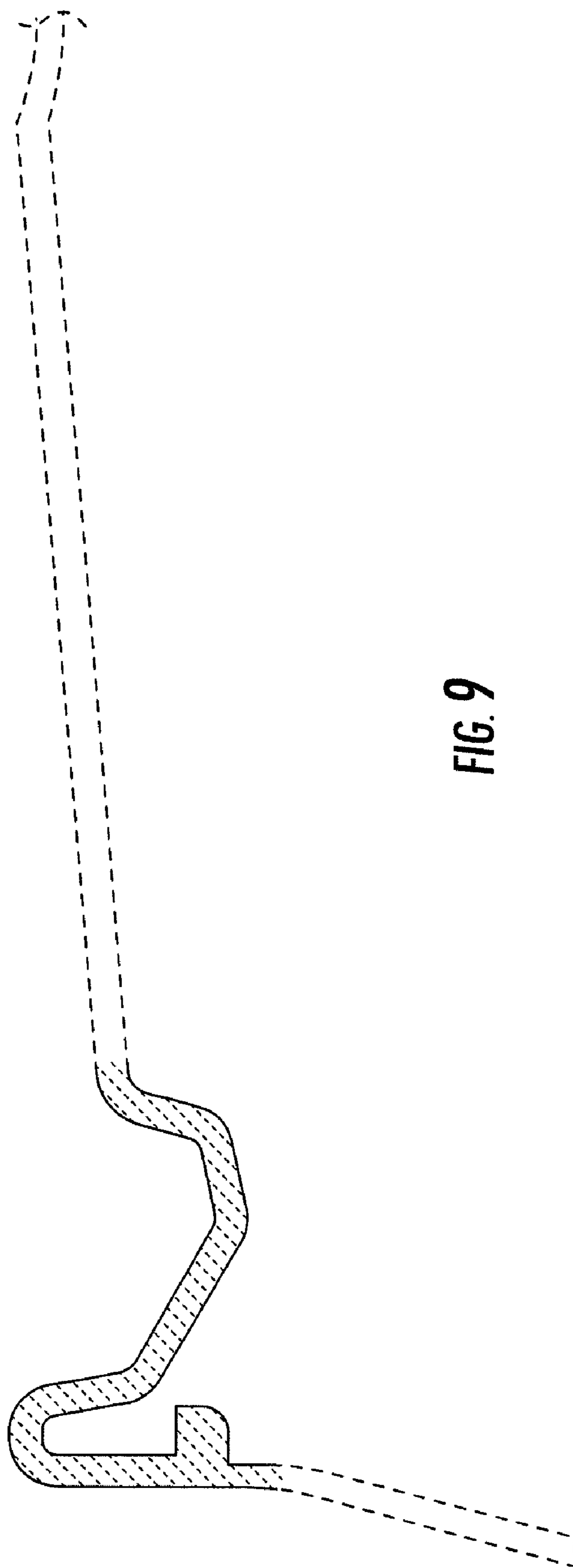


FIG. 9