

US00D628893S

(12) **United States Design Patent**  
**Groubert et al.**

(10) **Patent No.:** **US D628,893 S**

(45) **Date of Patent:** **\*\* Dec. 14, 2010**

(54) **DISPENSING CLOSURE**

(75) Inventors: **Brian David Groubert**, Boardman, OH (US); **Barry Daggett**, Austintown, OH (US); **Anna Frolova-Levi**, Solon, OH (US)

(73) Assignee: **Weatherchem Corporation**, Twinsburg, OH (US)

(\*\*) Term: **14 Years**

(21) Appl. No.: **29/363,329**

(22) Filed: **Jun. 8, 2010**

(51) **LOC (9) Cl.** ..... **09-07**

(52) **U.S. Cl.** ..... **D9/449**

(58) **Field of Classification Search** ..... D9/529, D9/504, 503, 454, 453, 452, 450, 449, 447, D9/446, 443, 435; D7/900, 396.2, 392.1; 222/556, 544, 494, 480, 472, 321.9, 212, 222/185.1; 220/837, 835, 813, 810, 375, 220/254.5; 215/305, 228, 226, 200

See application file for complete search history.

(56) **References Cited**

**U.S. PATENT DOCUMENTS**

4,457,458 A \* 7/1984 Heinol ..... 222/498  
D468,639 S \* 1/2003 Wennerstrom et al. .... D9/449  
6,510,971 B1 1/2003 Martin  
D476,892 S \* 7/2003 Martin et al. .... D9/449  
6,830,721 B2 12/2004 Martin  
D531,035 S \* 10/2006 Pugne ..... D9/453  
D542,132 S \* 5/2007 Pugne ..... D9/449  
D547,184 S \* 7/2007 Kim et al. .... D9/449

D583,234 S \* 12/2008 Lohrman et al. .... D9/449  
D604,159 S \* 11/2009 Pugne ..... D9/449  
7,628,297 B2 \* 12/2009 Pugne ..... 222/556  
D609,092 S \* 2/2010 Laib et al. .... D9/449  
D609,093 S \* 2/2010 Wisniewski et al. .... D9/449  
2009/0294447 A1 \* 12/2009 Mazurkiewicz et al. .... 220/260  
2010/0140266 A1 \* 6/2010 Lohrman et al. .... 220/254.3

**OTHER PUBLICATIONS**

WEATHERCHEM\_SEARCH LIQUIFLAPPER PRODUCTS.  
PDF, Downloaded Aug. 1, 2010.\*

\* cited by examiner

*Primary Examiner*—Susan Bennett Hattan

(74) *Attorney, Agent, or Firm*—Turocy & Watson, LLP

(57) **CLAIM**

The ornamental design of a dispensing closure, as shown and described.

**DESCRIPTION**

FIG. 1 is a top perspective view of an ornamental design of a dispensing closure.

FIG. 2 is a top view of the dispensing closure shown in FIG. 1.

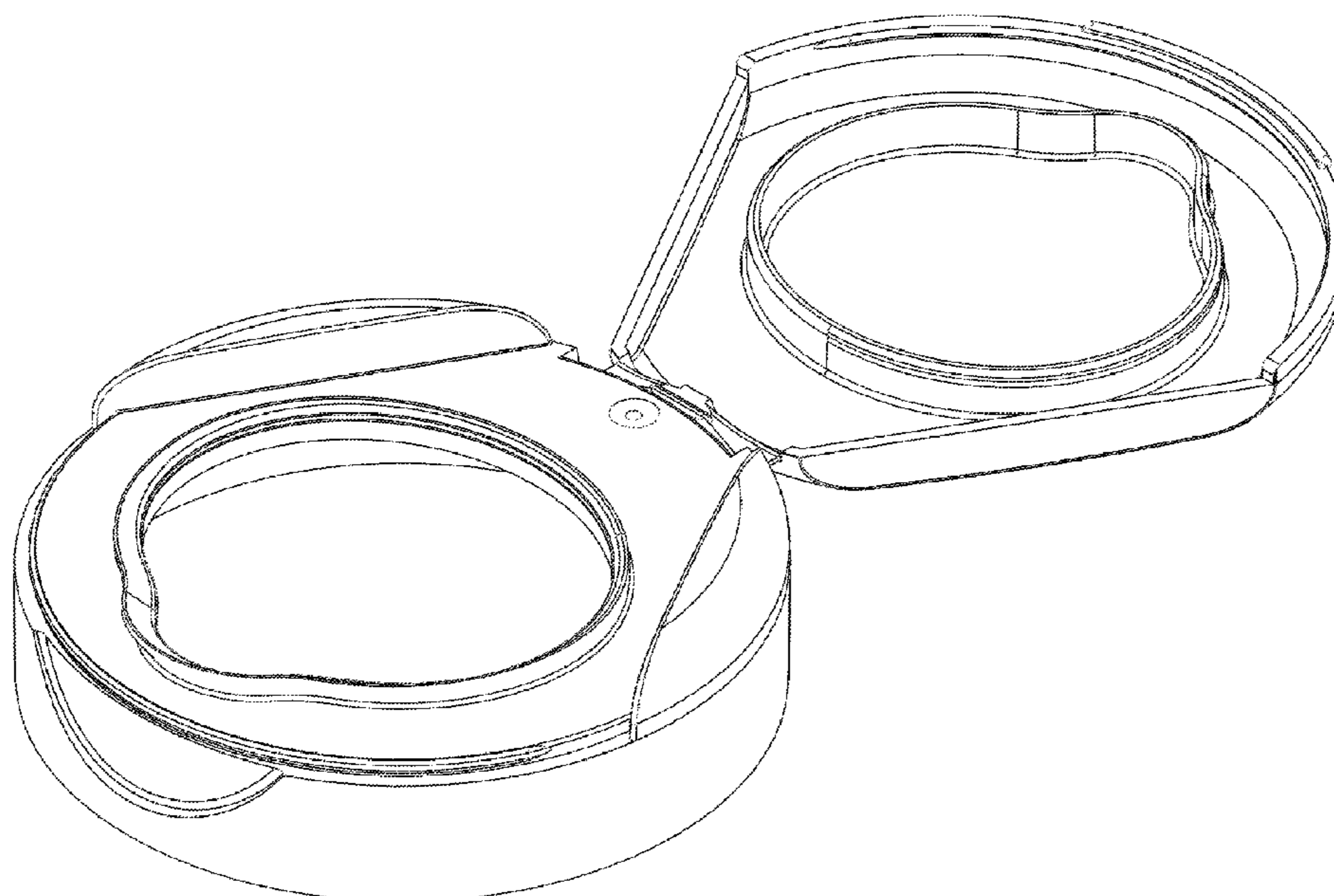
FIG. 3 is a bottom perspective view of the dispensing closure shown in FIG. 1.

FIG. 4 is a side elevation view of the dispensing closure shown in FIG. 1.

FIG. 5 is a front elevation view of the dispensing closure shown in FIG. 1 in a closed position; and,

FIG. 6 is a top perspective view of the dispensing closure shown in FIG. 1 in a closed position.

**1 Claim, 6 Drawing Sheets**



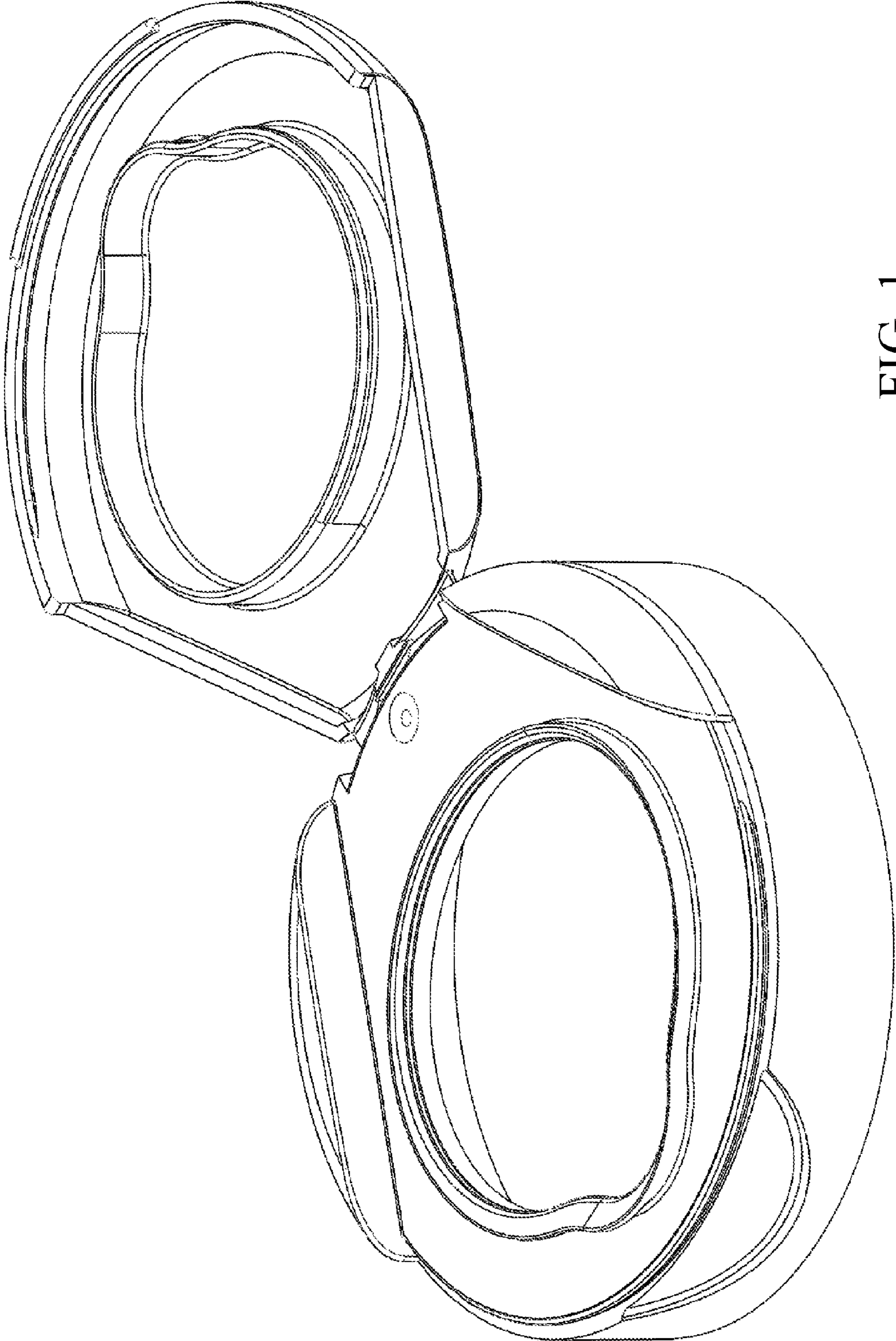
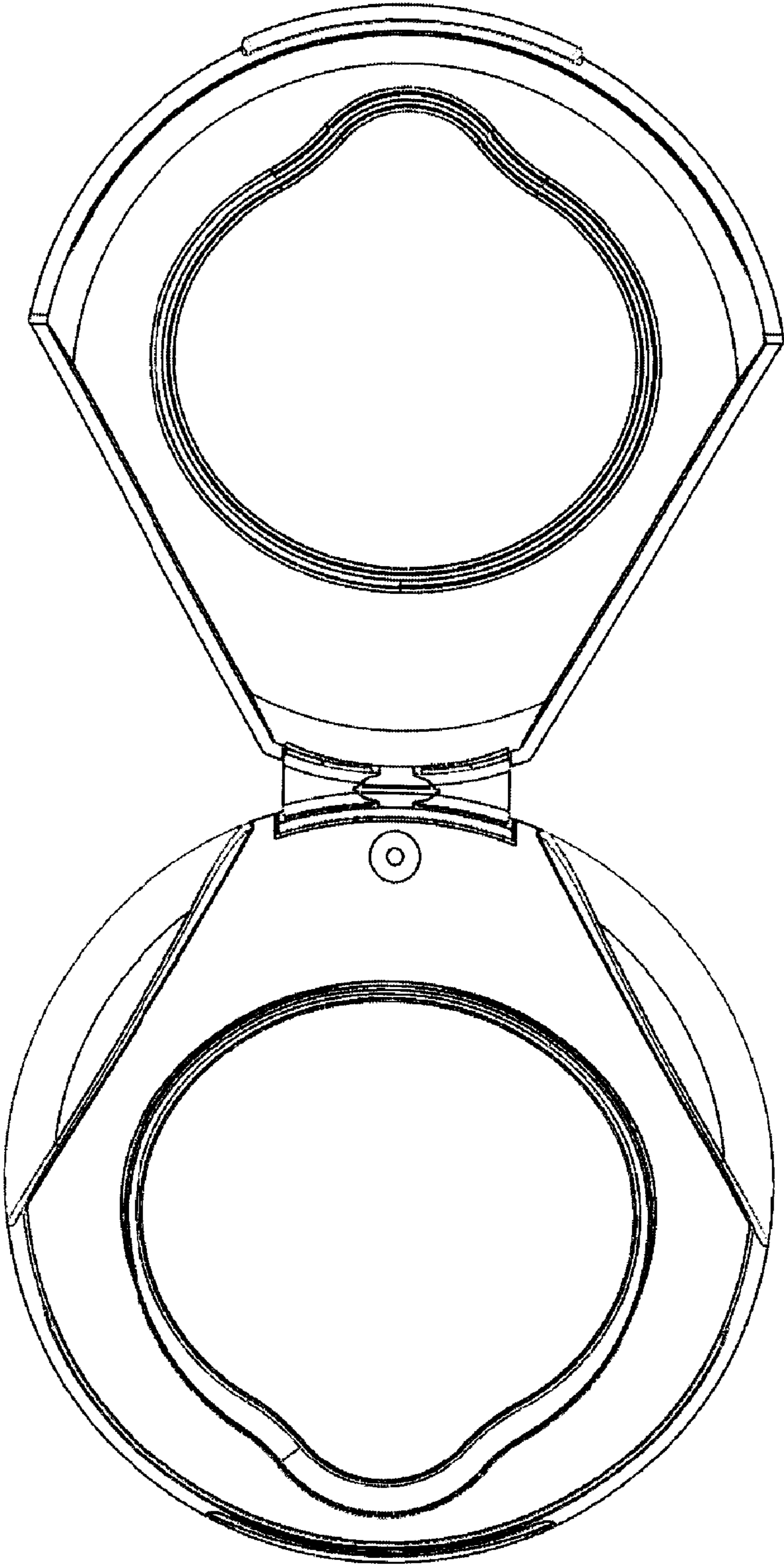


FIG. 1



**FIG. 2**



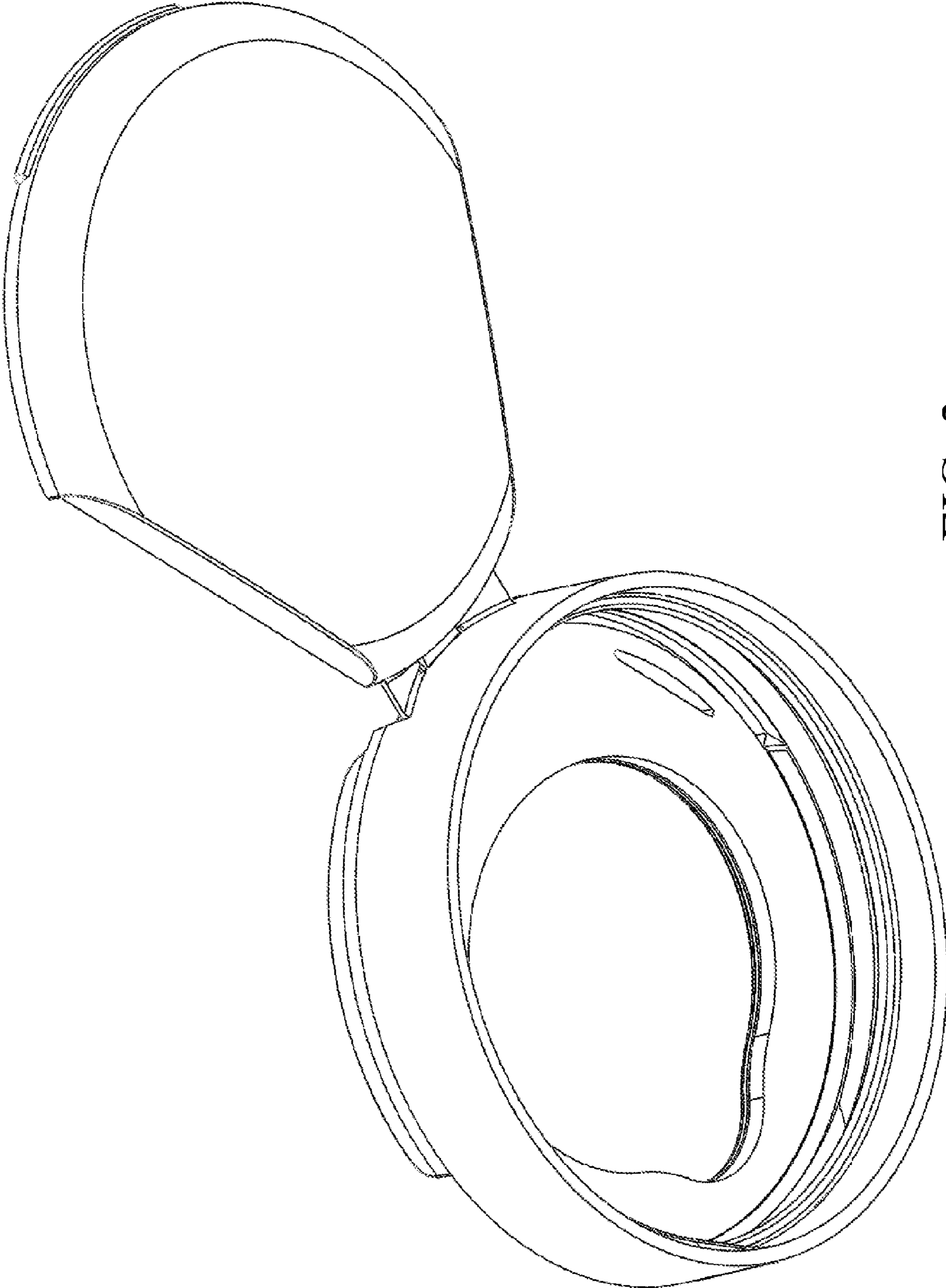


FIG. 3

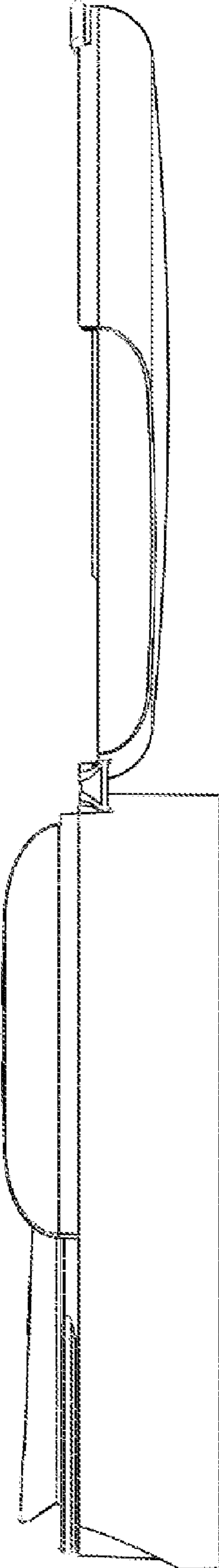


FIG. 4

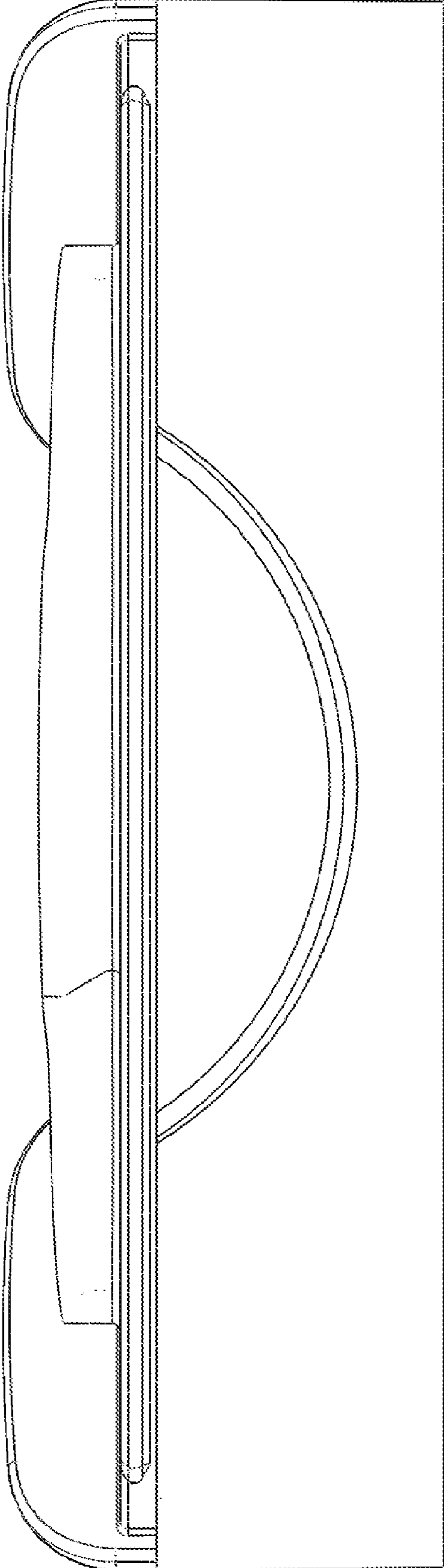


FIG. 5

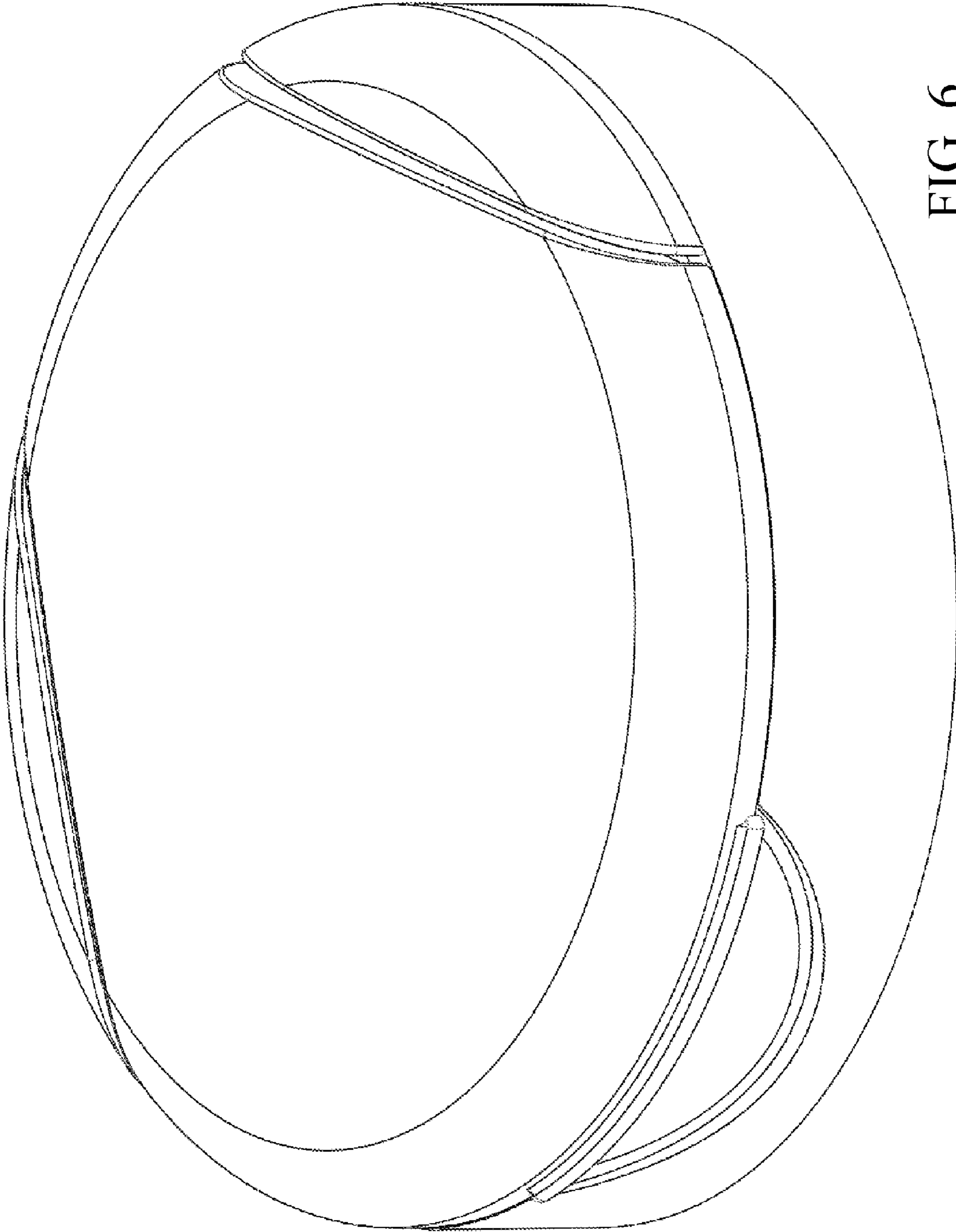


FIG. 6