



US00D62888S

(12) **United States Design Patent**
Groubert et al.

(10) **Patent No.:** **US D628,888 S**

(45) **Date of Patent:** **** Dec. 14, 2010**

(54) **DISPENSING CLOSURE FOR POURABLE MATERIAL**

(75) Inventors: **Brian David Groubert**, Boardman, OH (US); **Barry Daggett**, Austintown, OH (US); **Anna Frolova-Levi**, Solon, OH (US)

(73) Assignee: **Weatherchem Corporation**, Twinsburg, OH (US)

(**) Term: **14 Years**

(21) Appl. No.: **29/363,319**

(22) Filed: **Jun. 8, 2010**

(51) **LOC (9) Cl.** **09-07**

(52) **U.S. Cl.** **D9/449; D9/453**

(58) **Field of Classification Search** D9/529, D9/504, 503, 454, 453, 452, 450, 449, 447, D9/446, 443, 435; D7/900, 396.2, 392.1; 222/556, 544, 494, 480, 472, 321.9, 212, 222/185.1; 220/837, 835, 813, 810, 375, 220/254.5; 215/305, 228, 226, 200

See application file for complete search history.

(56) **References Cited**

U.S. PATENT DOCUMENTS

4,457,458 A * 7/1984 Heinol 222/498
D468,639 S * 1/2003 Wennerstrom et al. D9/449
6,510,971 B1 1/2003 Martin
D476,892 S * 7/2003 Martin et al. D9/449
6,830,721 B2 12/2004 Martin
D531,035 S * 10/2006 Pugne D9/453
D542,132 S * 5/2007 Pugne D9/449

D547,184 S * 7/2007 Kim et al. D9/449
D583,234 S * 12/2008 Lohrman et al. D9/449
D604,159 S * 11/2009 Pugne D9/449
7,628,297 B2 * 12/2009 Pugne 222/556
D609,092 S * 2/2010 Laib et al. D9/449
D609,093 S * 2/2010 Wisniewski et al. D9/449
2009/0294447 A1 * 12/2009 Mazurkiewicz et al. 220/260
2010/0140266 A1 * 6/2010 Lohrman et al. 220/254.3

OTHER PUBLICATIONS

Weatherchem_Search Liquiflapper Products.pdf, Downloaded Aug. 1, 2010.*

Weatherchem_Search Liquiflapper Products.pdf.*

* cited by examiner

Primary Examiner—Susan Bennett Hattan

(74) *Attorney, Agent, or Firm*—Turocy & Watson, LLP

(57) **CLAIM**

The ornamental design for a dispensing closure for pourable material, as shown and described.

DESCRIPTION

FIG. 1 illustrates a front perspective view of a dispensing closure for pourable material in an open position, which incorporates the new design.

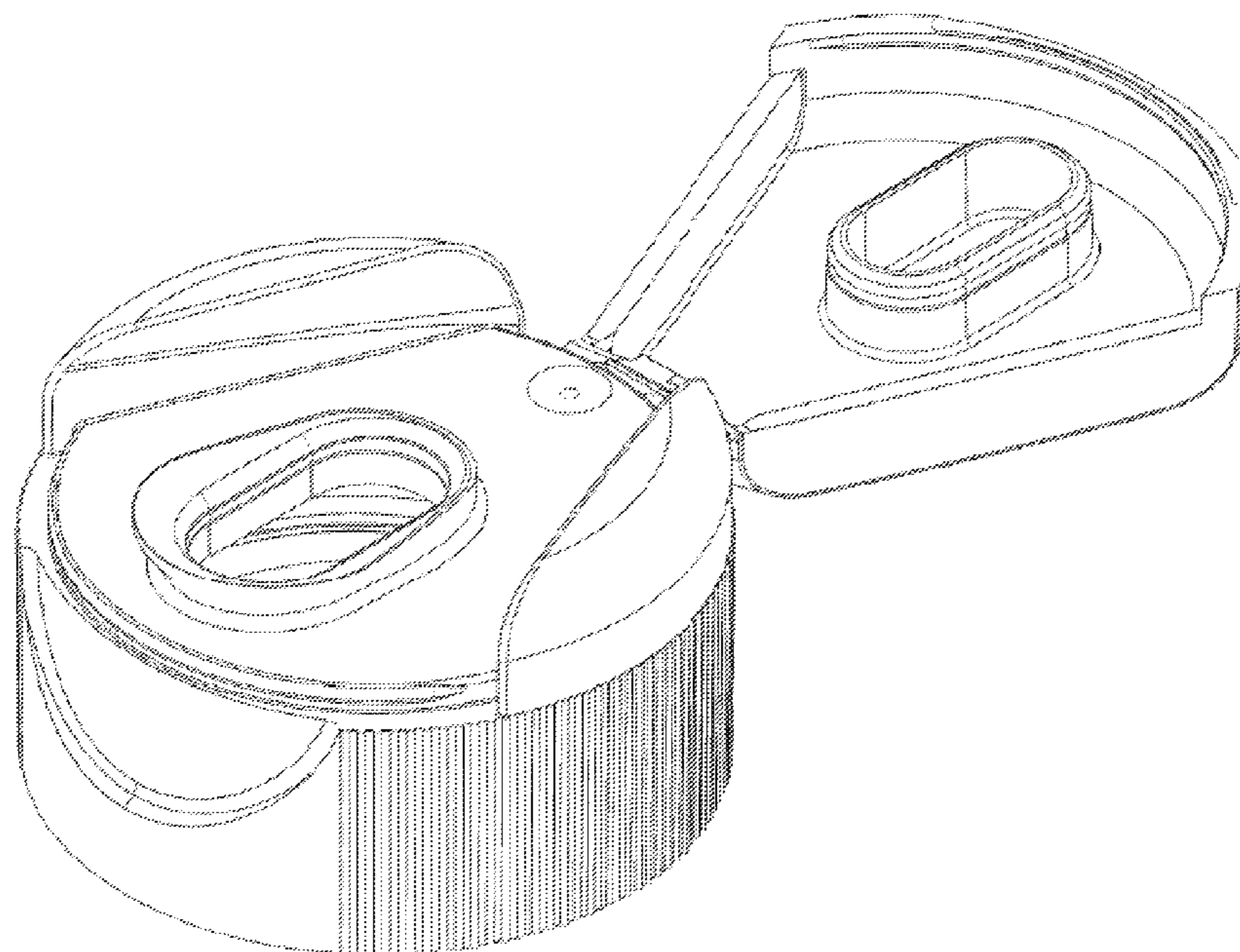
FIG. 2 illustrates a top plan view thereof.

FIG. 3 illustrates a rear perspective view thereof.

FIG. 4 illustrates a side elevation view thereof; and,

FIG. 5 illustrates a front elevation view of the dispensing closure in a closed position, which incorporates the new design.

1 Claim, 5 Drawing Sheets



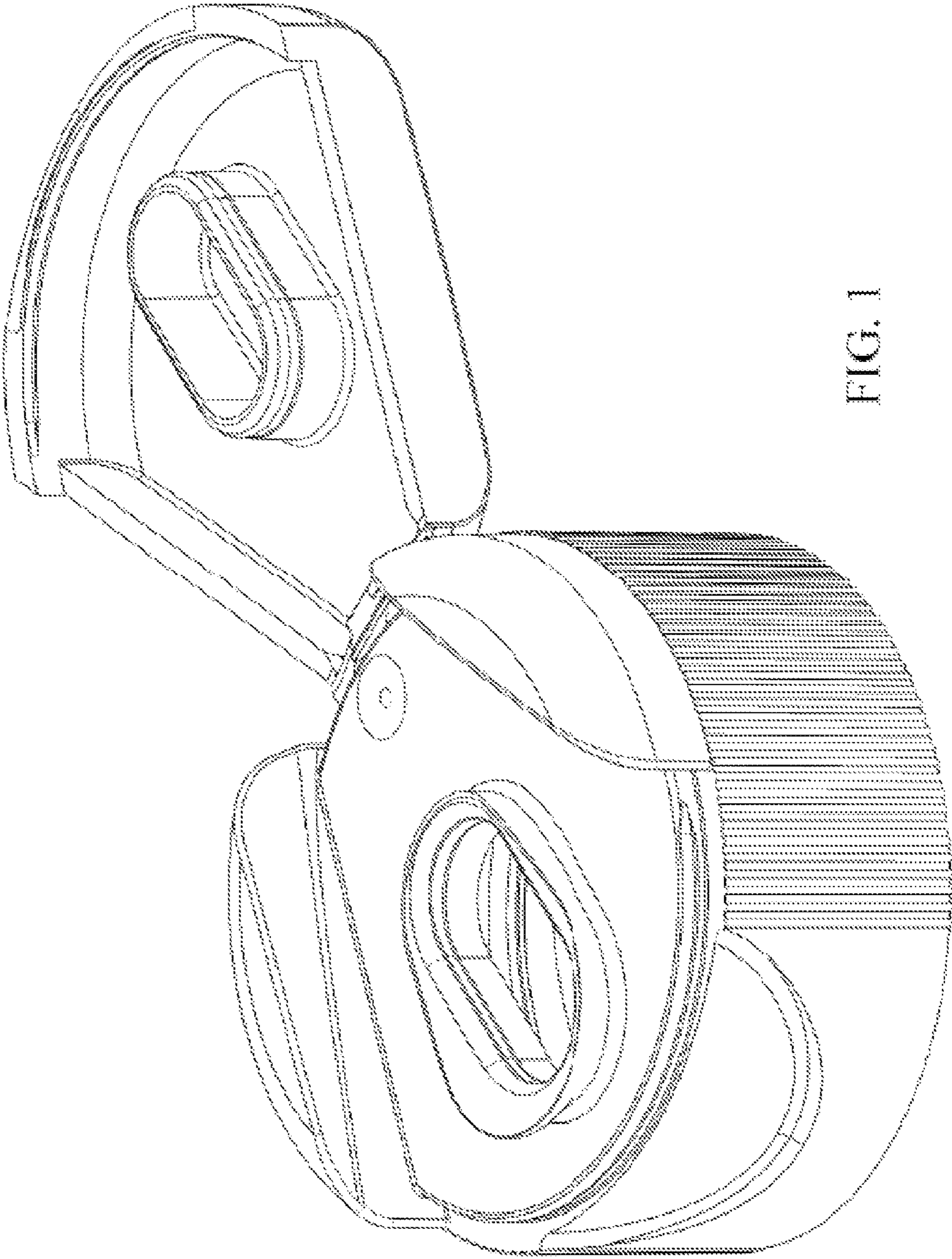


FIG. 1

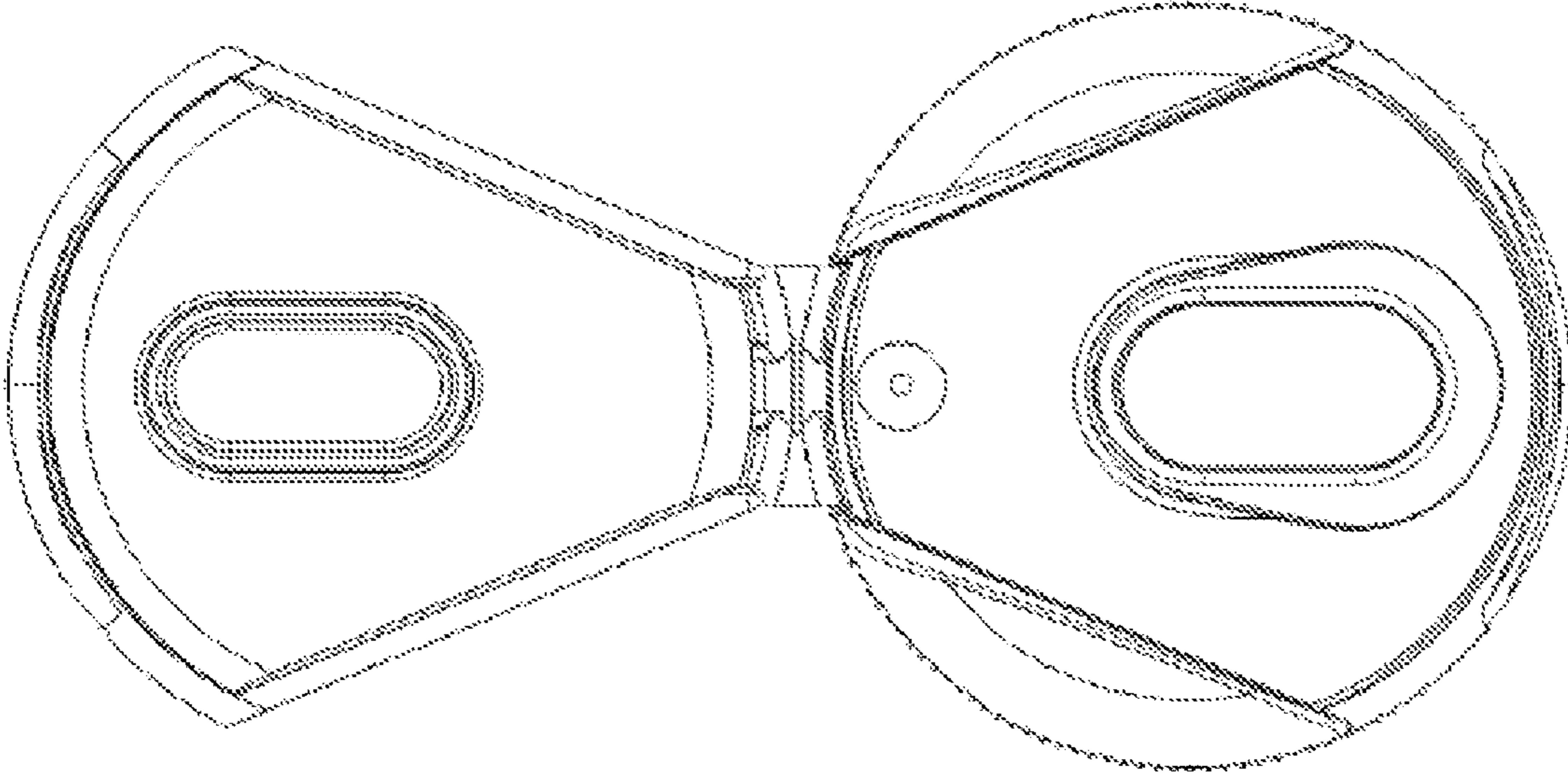


FIG. 2

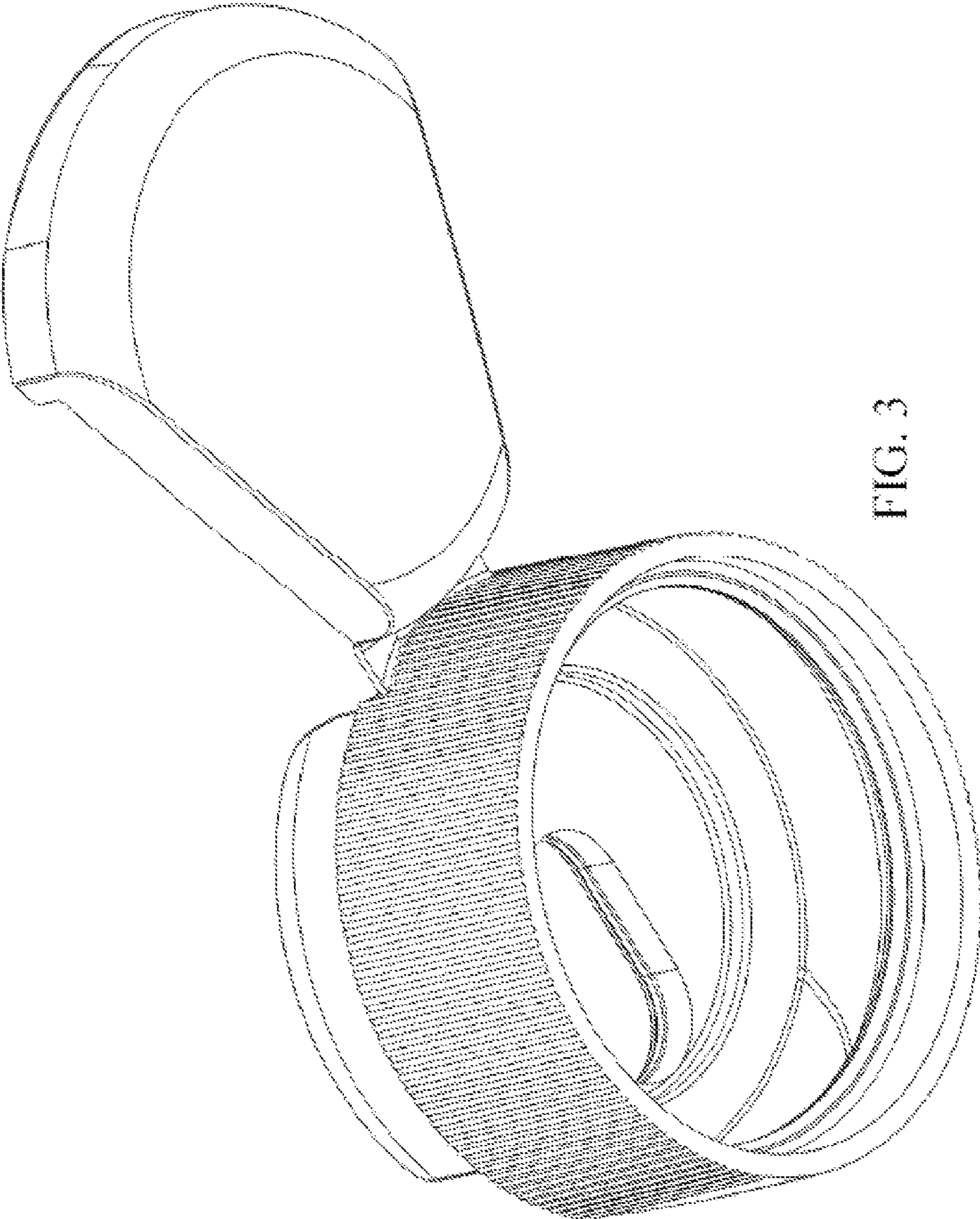


FIG. 3

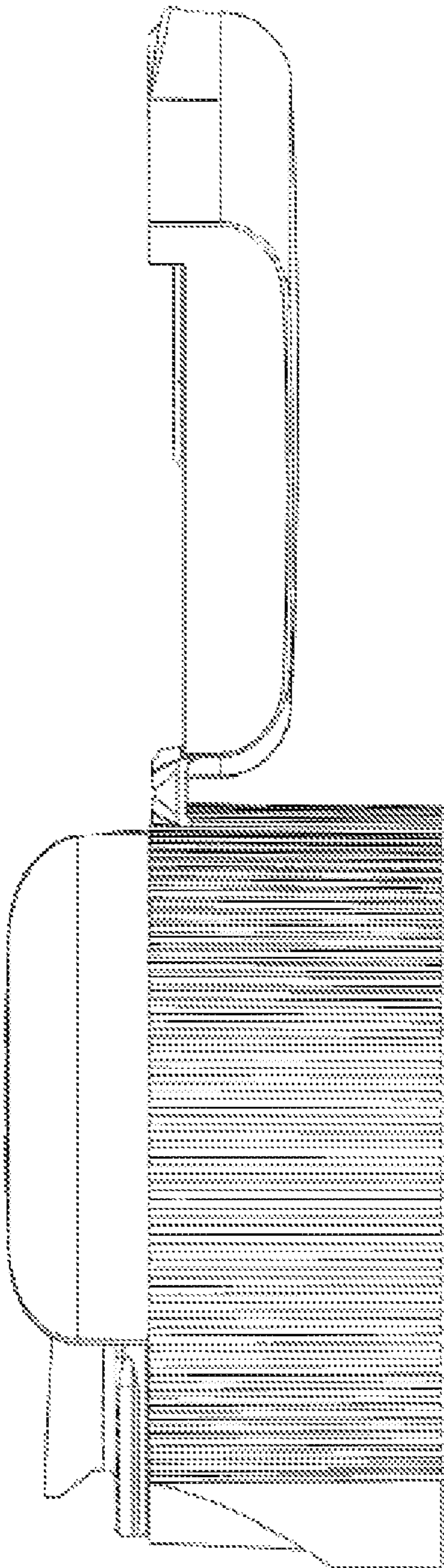


FIG. 4

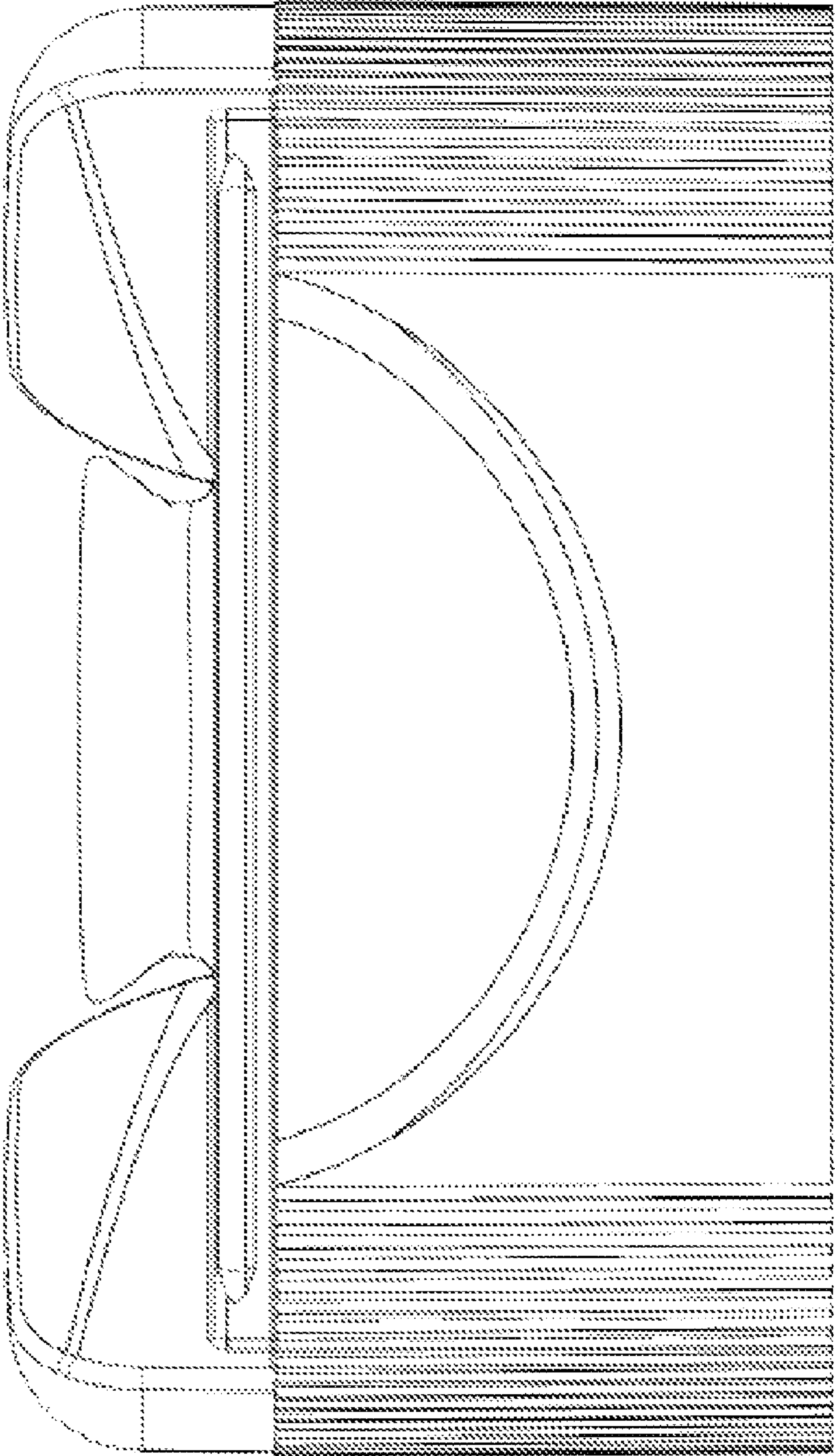


FIG. 5