

US00D628883S

(12) **United States Design Patent**
Stephens

(10) **Patent No.:** **US D628,883 S**

(45) **Date of Patent:** **** Dec. 14, 2010**

(54) **CUP**

(75) Inventor: **David John Stephens**, Tewantin (AU)

(73) Assignee: **Visy R & D Pty Ltd**, Southbank,
Victoria (AU)

(**) Term: **14 Years**

(21) Appl. No.: **29/350,086**

(22) Filed: **Nov. 11, 2009**

(30) **Foreign Application Priority Data**

May 11, 2009 (AU) 11677/2009
May 11, 2009 (AU) 11678/2009

(51) **LOC (9) Cl.** **09-03**

(52) **U.S. Cl.** **D9/429**

(58) **Field of Classification Search** D9/414,
D9/418, 424, 425, 428, 429, 431; D7/619,
D7/629; 229/400-406, 932, 906.1; 220/656-659,
220/669-675, 912, 4.21-4.27; 206/553,
206/557, 541, 775, 776

See application file for complete search history.

(56) **References Cited**

U.S. PATENT DOCUMENTS

D192,191 S * 2/1962 Han D9/429
D204,212 S * 3/1966 Davis D9/429
D438,794 S * 3/2001 Miles et al. D9/429
D452,821 S * 1/2002 Westphal D9/429
D468,200 S * 1/2003 Kim et al. D9/428

D519,831 S * 5/2006 de Cleir et al. D9/428
D541,147 S * 4/2007 LaMasney D9/428
D587,995 S * 3/2009 Studee D9/424

* cited by examiner

Primary Examiner—Thomas J Johannes

(74) *Attorney, Agent, or Firm*—Rothwell, Figg, Ernst &
Manbeck, P.C.

(57) **CLAIM**

The ornamental design for a cup, as shown and described.

DESCRIPTION

FIG. 1 is a top plan view of a first embodiment of the cup, showing my new design, with the bottom plan view being a mirror image thereof;

FIG. 2 is a top perspective view thereof;

FIG. 3 is a side elevation view thereof, with the opposite side being identical thereto;

FIG. 4 is a side cross-sectional view of the cup of FIG. 3, taken in the direction of line 4—4;

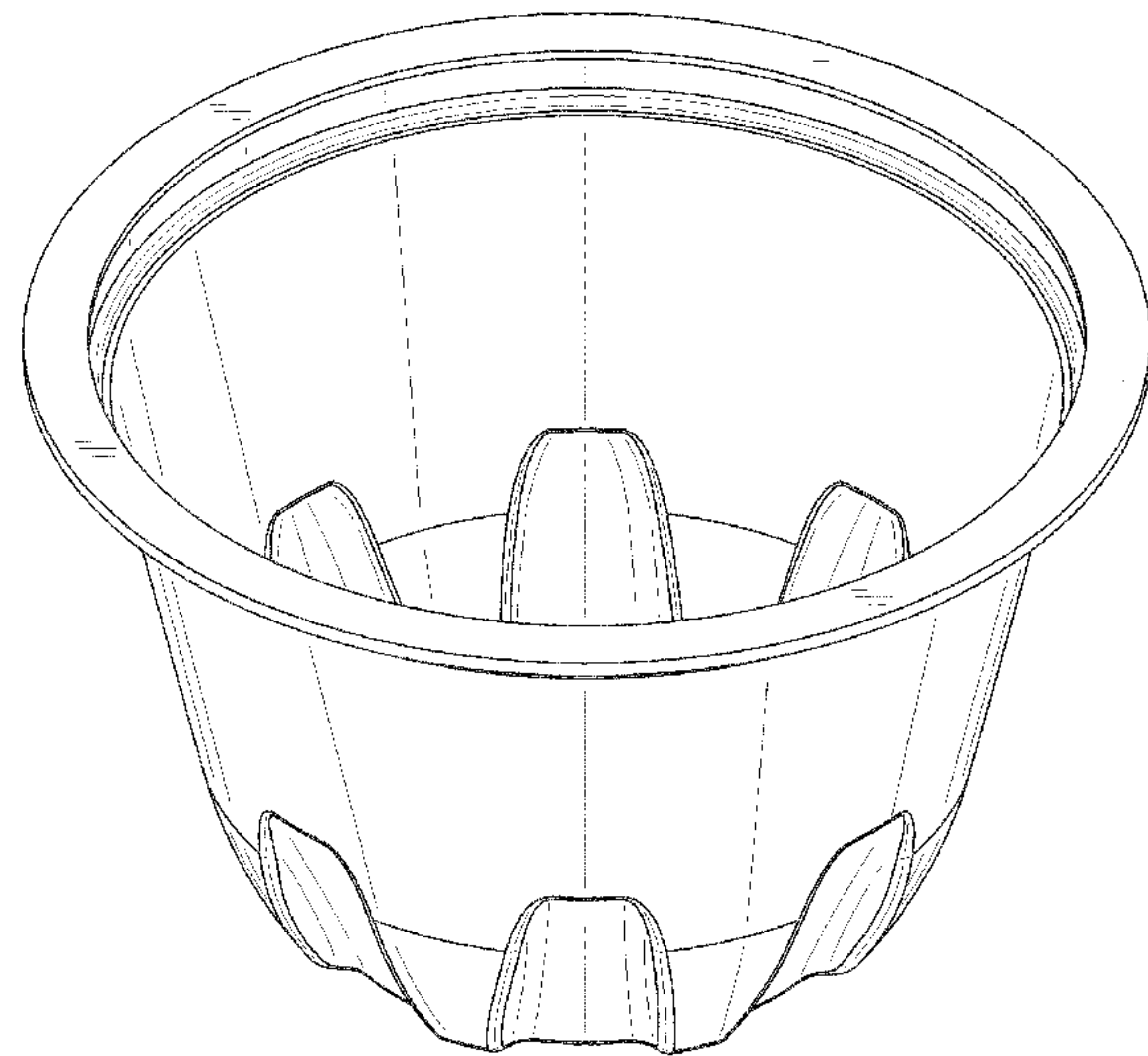
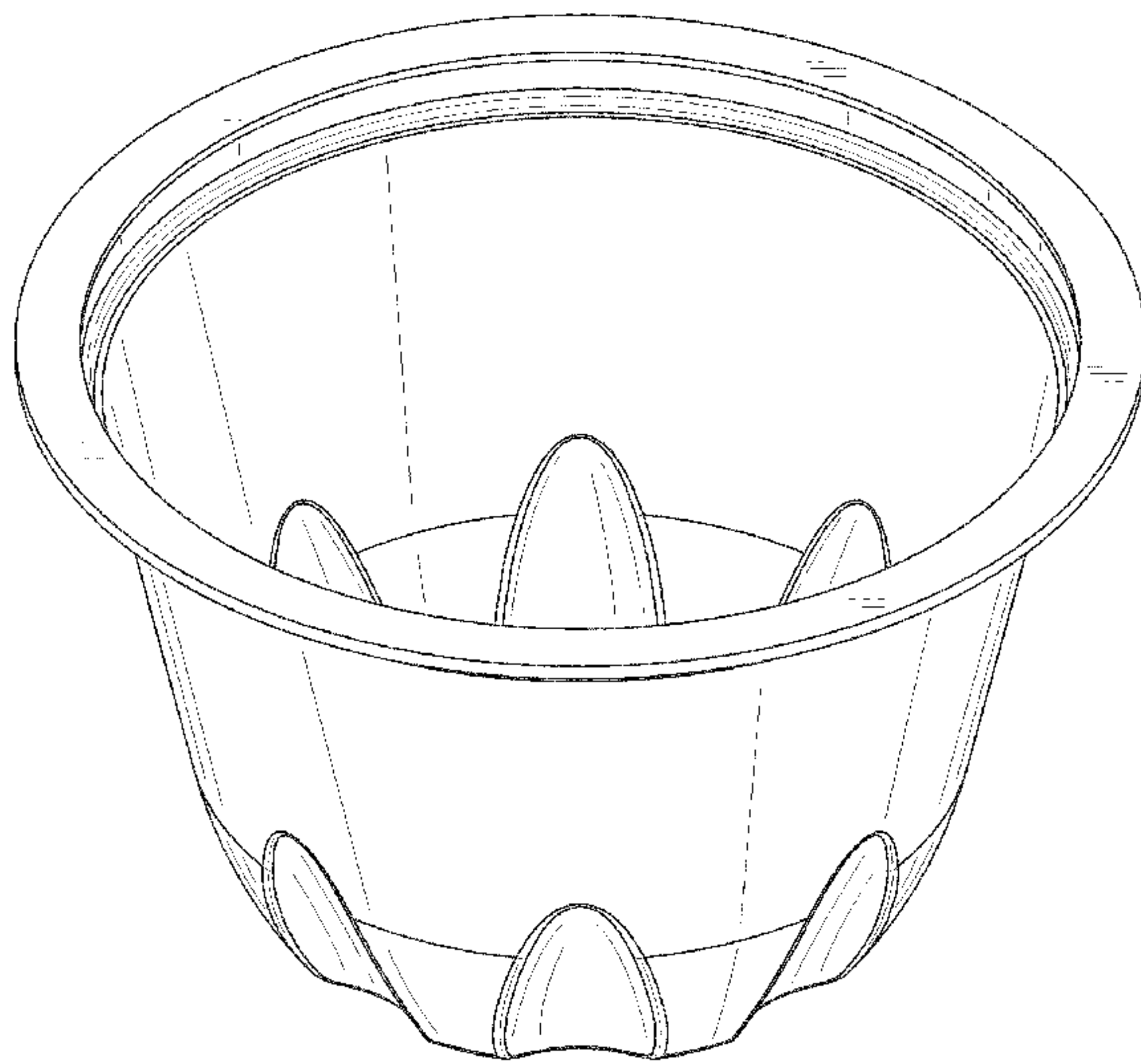
FIG. 5 is a top plan view of a second embodiment of the cup, showing my new design, with the bottom plan view being a mirror image thereof;

FIG. 6 is a top perspective view thereof;

FIG. 7 is a side elevation view thereof, with the opposite side being identical thereto; and,

FIG. 8 is a side cross-sectional view of the cup of FIG. 3, taken in the direction of line 8—8.

1 Claim, 8 Drawing Sheets



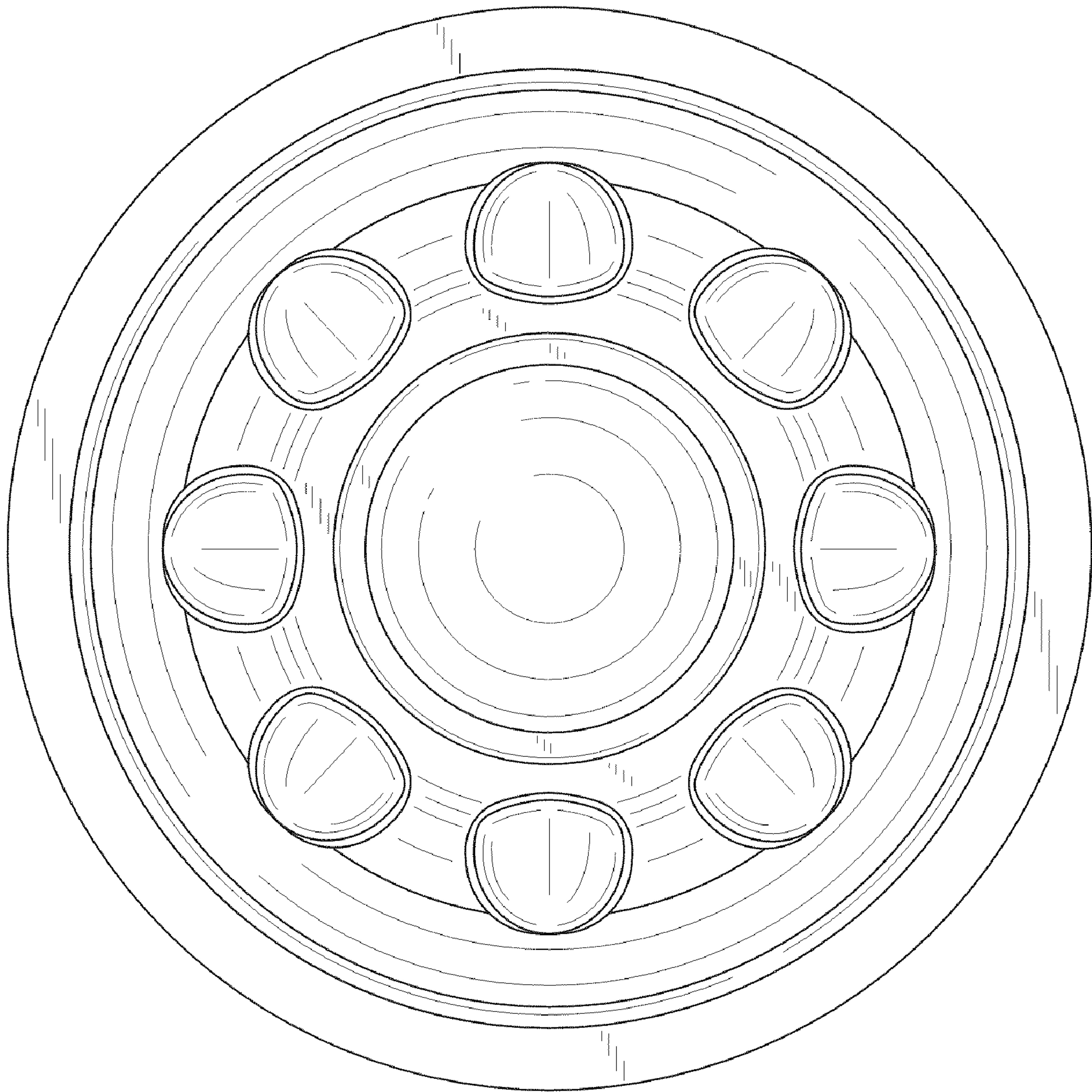


Fig. 1

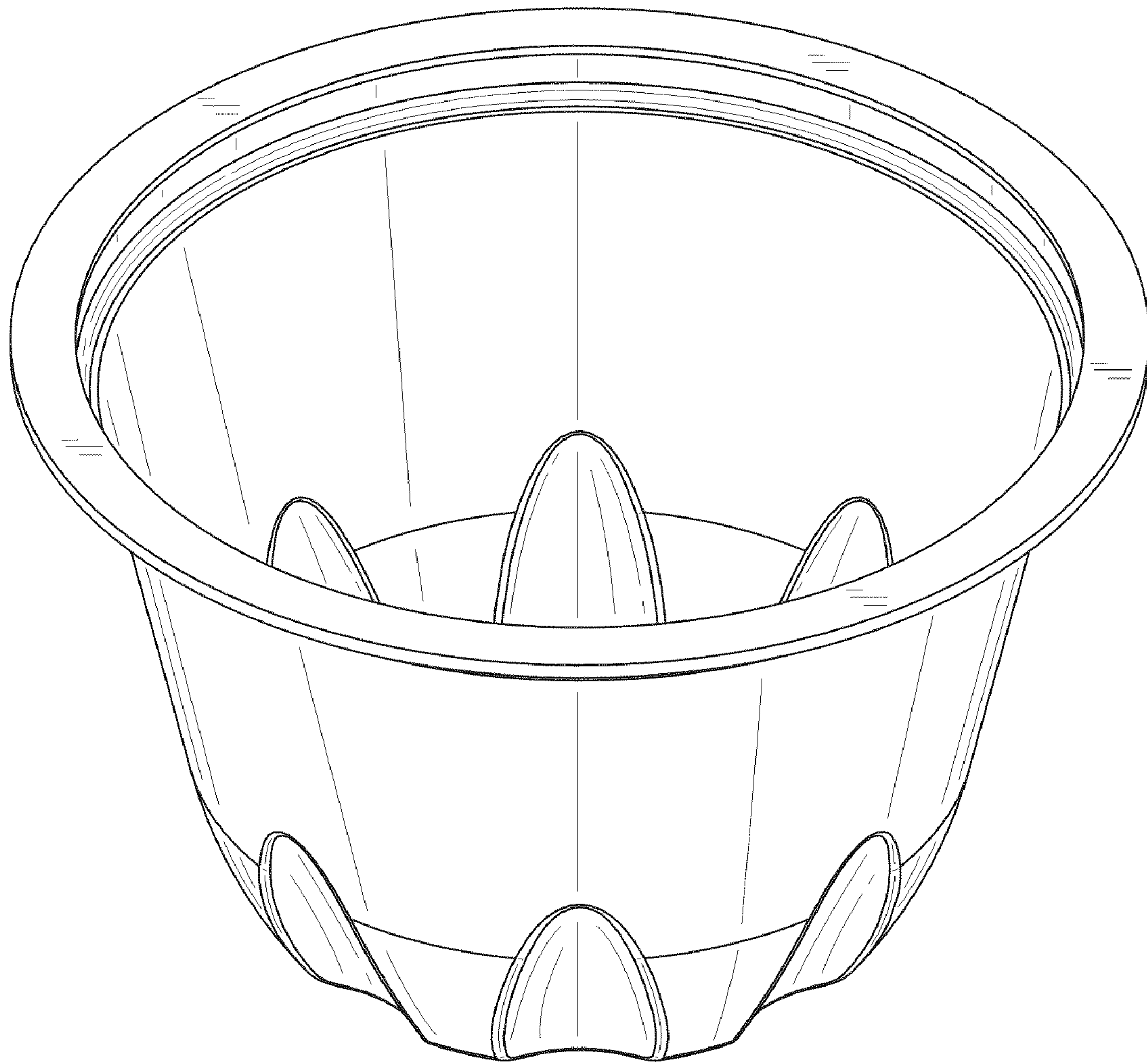


Fig. 2

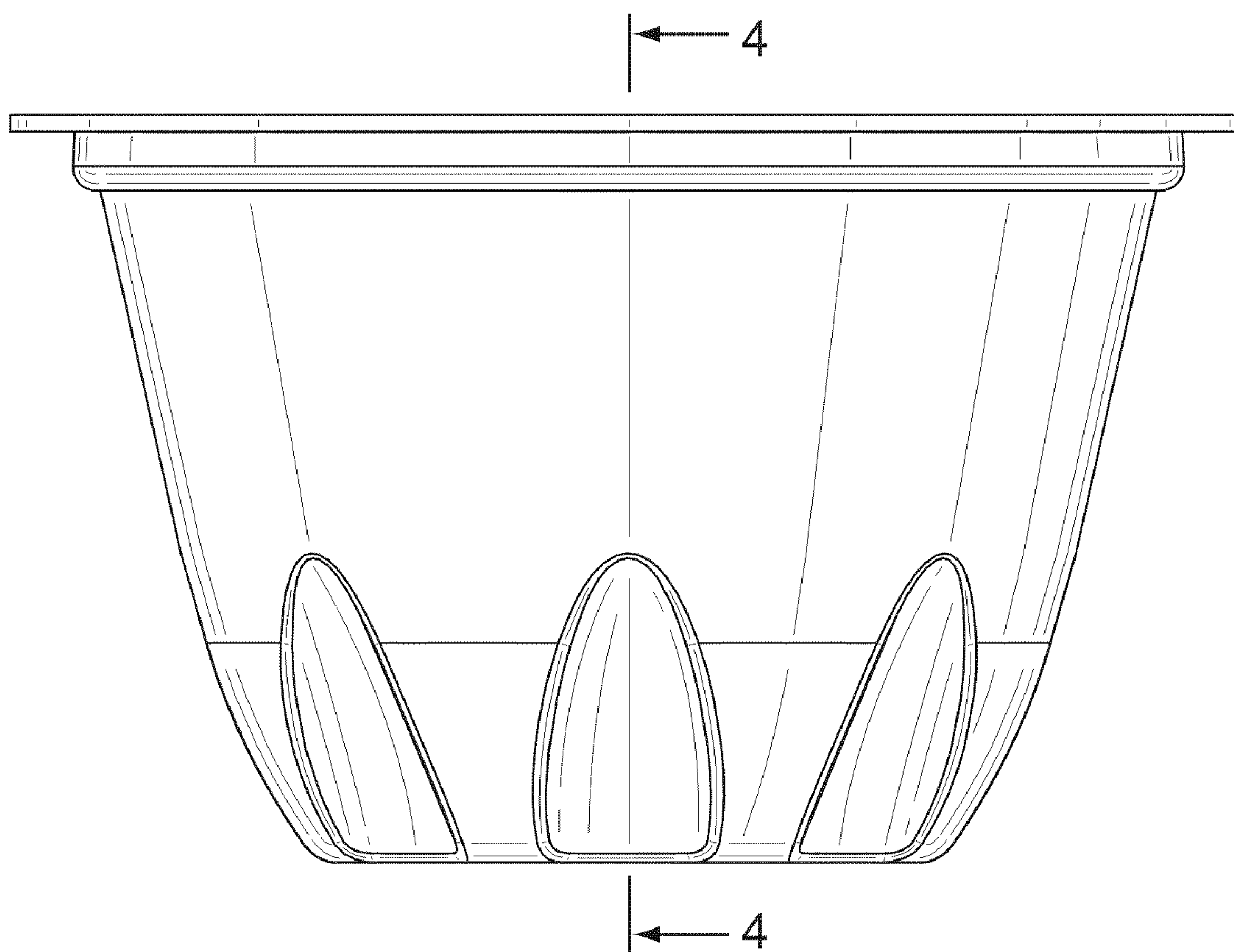


Fig. 3

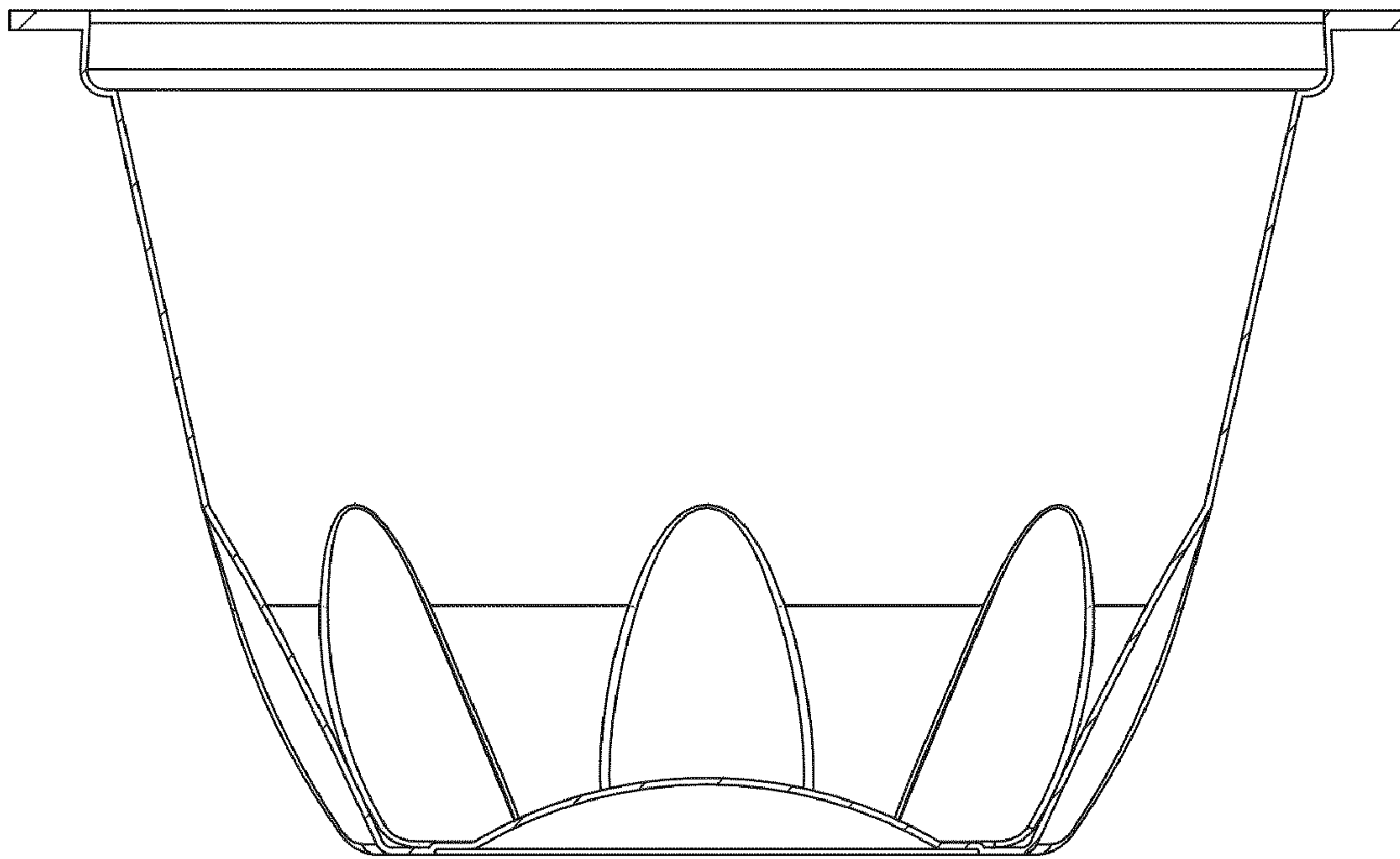


Fig. 4

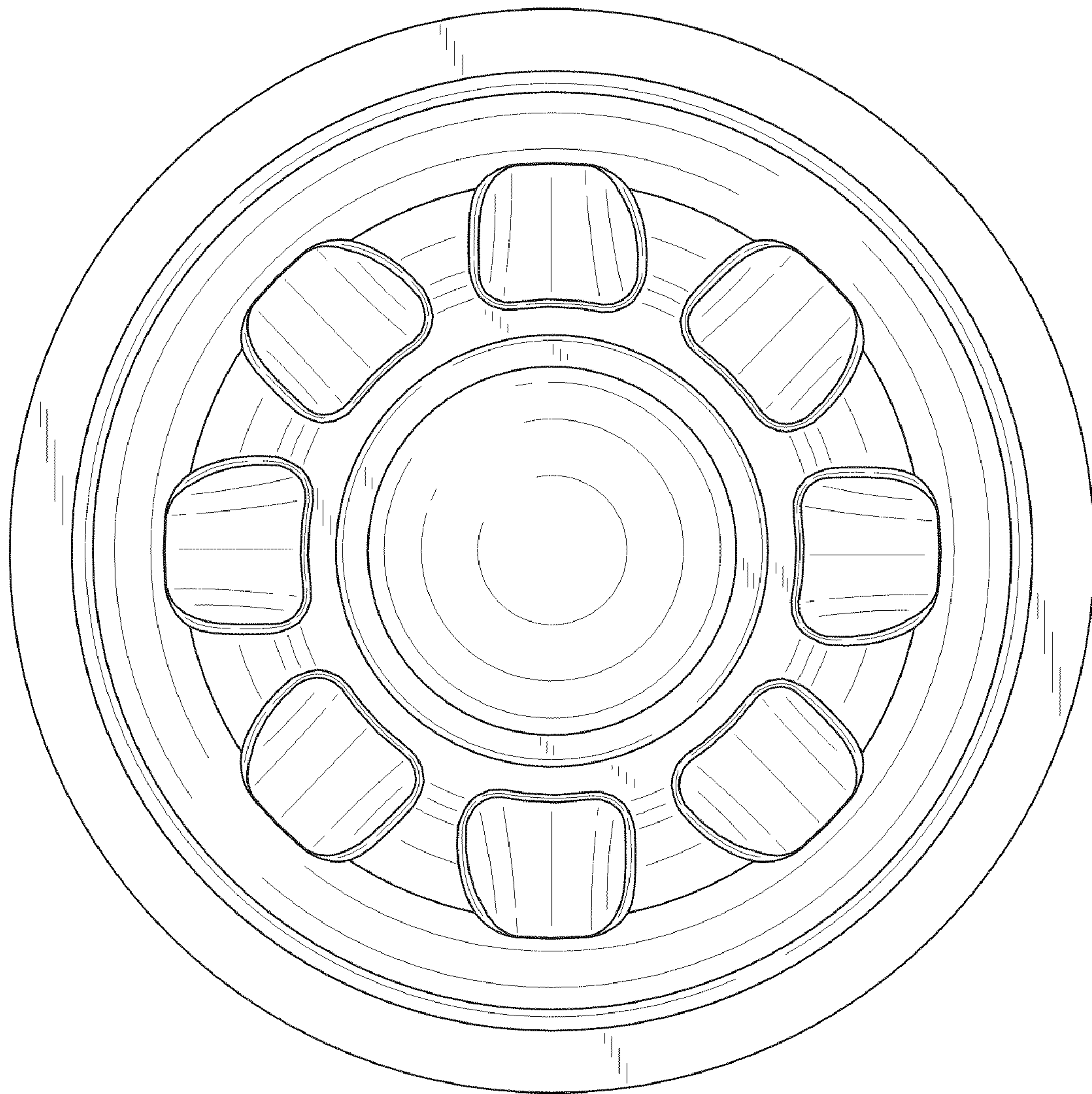


Fig. 5

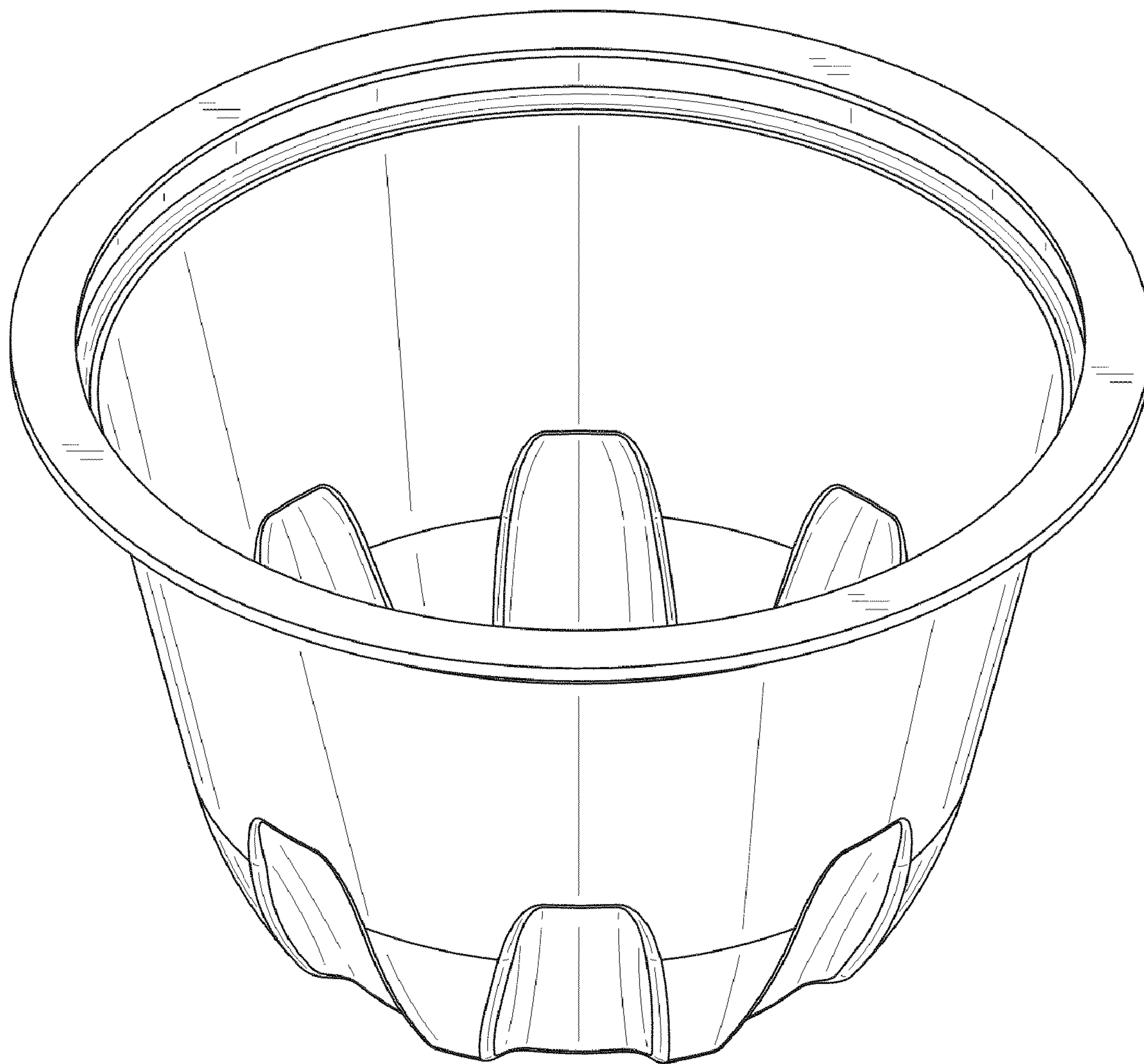


Fig. 6

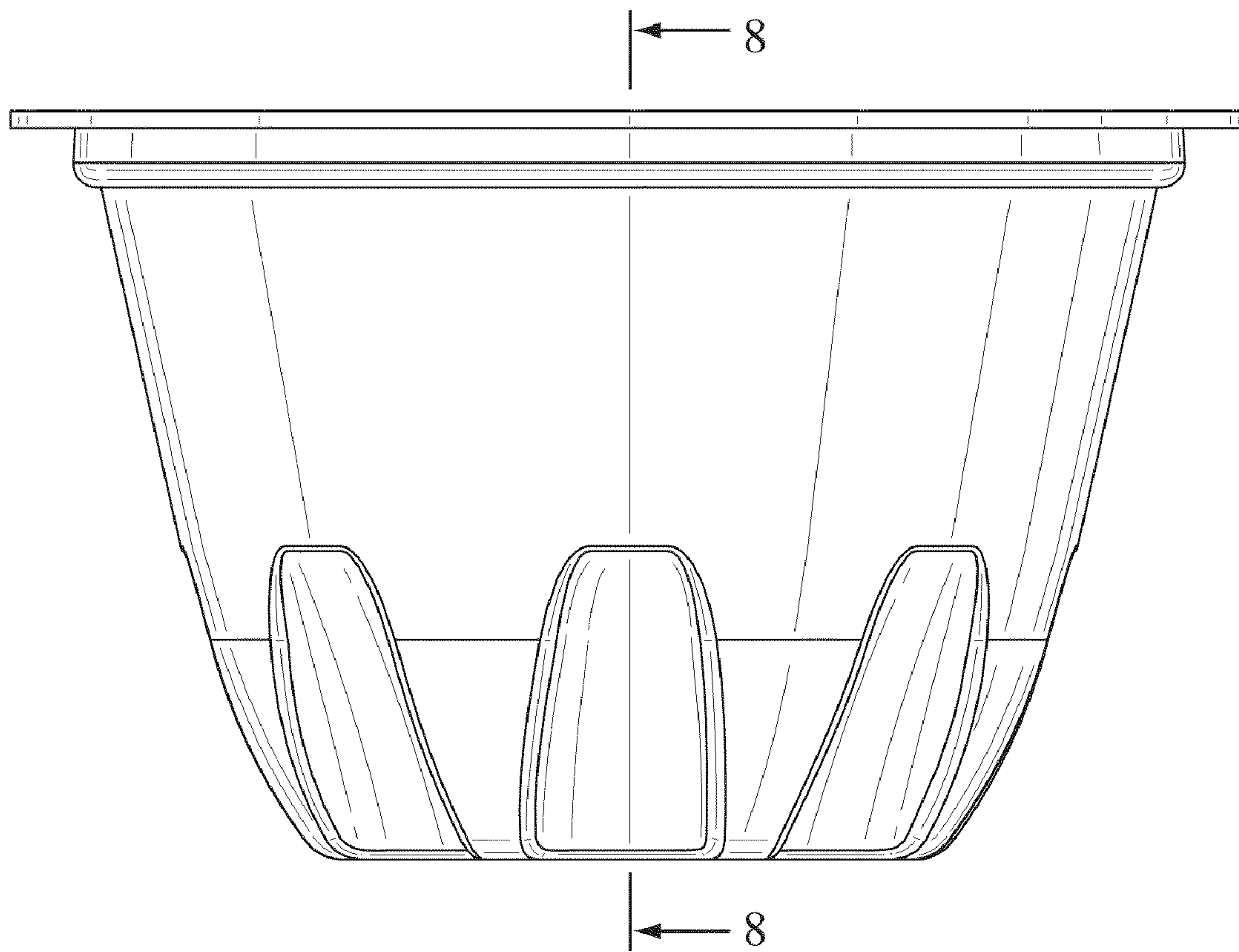


Fig. 7

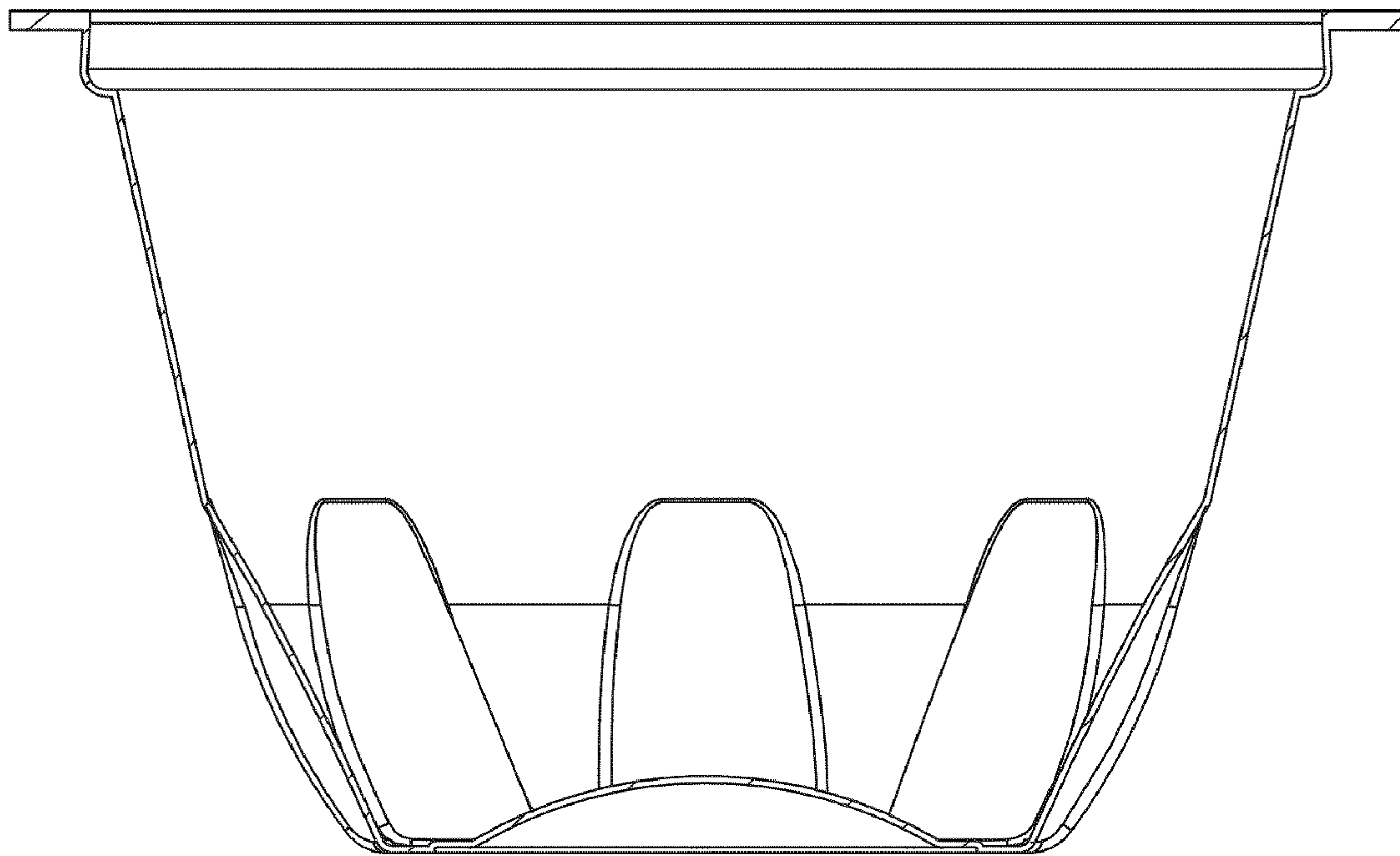


Fig. 8