



US00D628881S

(12) **United States Design Patent**
Kindig

(10) **Patent No.:** **US D628,881 S**

(45) **Date of Patent:** **** Dec. 14, 2010**

(54) **ENCLOSURE EDGE ASSEMBLY**

(75) Inventor: **Michael A. Kindig**, Chagrin Falls, OH (US)

(73) Assignee: **Lincoln Global, Inc.**, City of Industry, CA (US)

(**) Term: **14 Years**

(21) Appl. No.: **29/358,960**

(22) Filed: **Apr. 2, 2010**

Related U.S. Application Data

(62) Division of application No. 29/318,545, filed on May 22, 2008.

(51) **LOC (9) Cl.** **08-05**

(52) **U.S. Cl.** **D8/403**

(58) **Field of Classification Search** D8/400-499; D25/199; D24/227, 229; 54/24, 26; 428/99, 428/199; 229/199; 206/453, 586, 557-567
See application file for complete search history.

(56) **References Cited**

U.S. PATENT DOCUMENTS

74,312 A	2/1868	Cornell	
D5,186 S *	8/1871	Kreischers	D25/121
D27,396 S *	7/1897	Selden	D32/25
796,290 A *	8/1905	Brainard	217/91
D55,134 S	5/1920	Landwehr	
D83,199 S	2/1931	Hormes	
D109,843 S *	5/1938	Geerlings	D25/121
3,439,586 A	4/1969	Holtan et al.	
3,456,408 A *	7/1969	Zahn	52/208
3,727,363 A	4/1973	Kinsey	
3,836,043 A	9/1974	Levin	
3,869,106 A *	3/1975	Gregov	248/345.1
D265,035 S	6/1982	Fether et al.	
D269,910 S	7/1983	Johansson	
4,430,833 A	2/1984	Balzer	
D275,324 S	8/1984	Wahlin	
4,706,426 A	11/1987	Rumsey	
4,768,845 A *	9/1988	Yeh	312/257.1

4,817,902 A	4/1989	Mason
D305,368 S	1/1990	Clark
D306,491 S	3/1990	Hallengren
5,000,301 A	3/1991	Grenier
5,048,572 A	9/1991	Levine

(Continued)

OTHER PUBLICATIONS

ESAB AB, Aristo(TM) Mig U4000i/U5000i, http://www.esab.com.ar/ar/sp/productos/upload/AristoMig_U5000_4000i.pdf, Nov. 7, 2006 (printed on Aug. 12, 2008), 2 pages.

(Continued)

Primary Examiner—Cathron C Brooks

Assistant Examiner—Barbara Fox

(74) *Attorney, Agent, or Firm*—Hahn Loeser & Parks LLP

(57)

CLAIM

The ornamental design for an enclosure edge assembly, as shown and described.

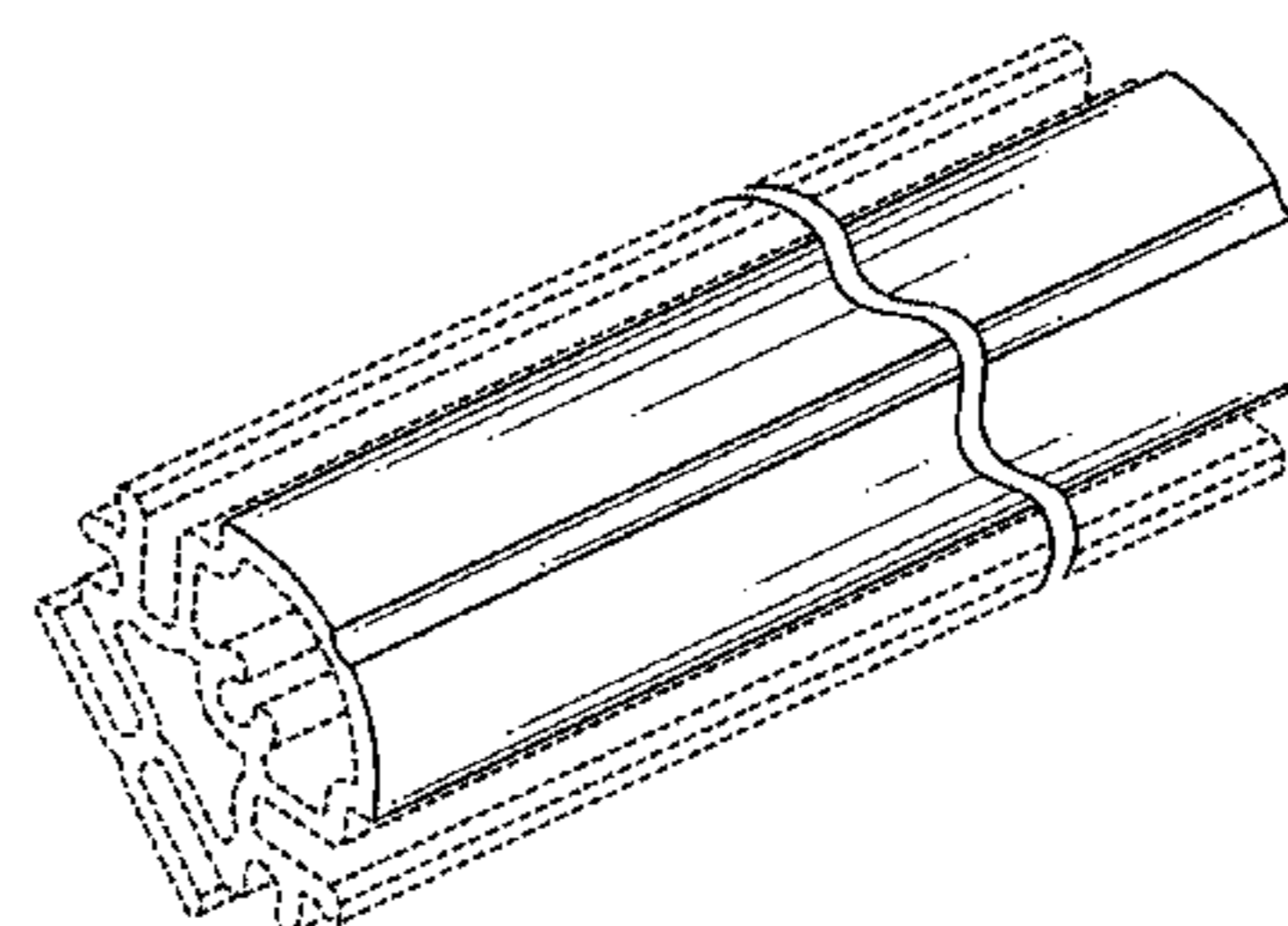
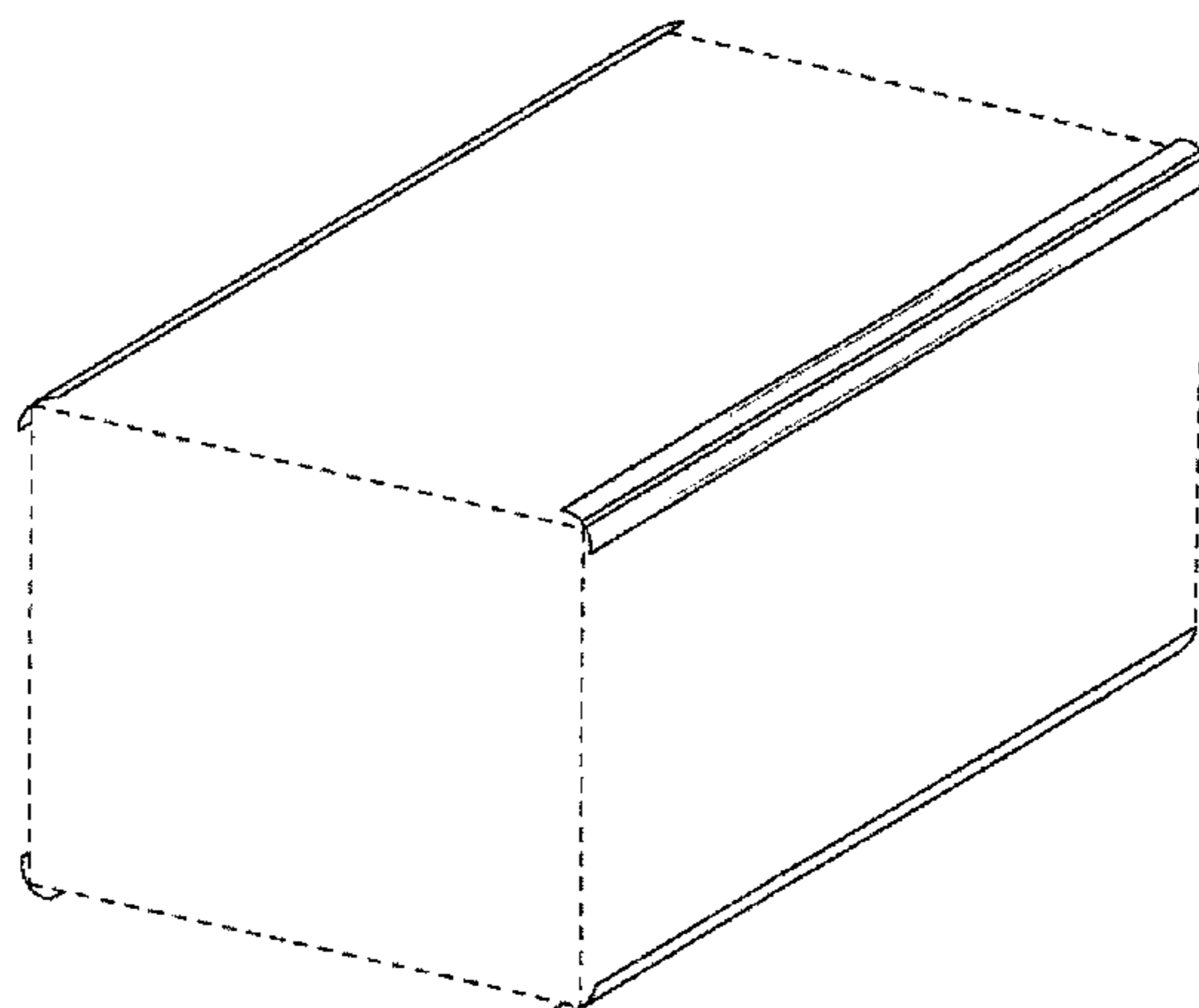
DESCRIPTION

FIG. 1 is a perspective view of an enclosure edge assembly, shown attached to a box environment;

FIG. 2 is a top perspective view of a single enclosure edge, shown separately and enlarged for completeness of illustration, and shown broken away for ease of illustration; and,

FIG. 3 is an end view of the enclosure edge shown in FIG. 2. The broken lines shown in the drawings illustrate unclaimed portions of the enclosure edge assembly and environmental structure, and form no part of the claimed design.

1 Claim, 2 Drawing Sheets



US D628,881 S

Page 2

U.S. PATENT DOCUMENTS

D351,668 S 10/1994 Lim et al.
5,461,834 A * 10/1995 Carlberg 52/466
D367,841 S 3/1996 Garelick
D368,314 S * 3/1996 Lin D25/121
5,503,471 A 4/1996 Aspenwall
D377,899 S 2/1997 Riley et al.
5,647,182 A 7/1997 Rutherford
D383,058 S 9/1997 Riley et al.
D405,544 S * 2/1999 Magnusson et al. D25/121
D409,902 S 5/1999 Salvucci
D411,739 S 6/1999 Havens
5,941,039 A 8/1999 Law
6,125,488 A 10/2000 Vogland
6,354,049 B1 3/2002 Bennett
D457,972 S 5/2002 Harel
D460,947 S 7/2002 Montena
6,419,331 B2 7/2002 Wei
D470,760 S 2/2003 Thorne et al.

D472,333 S * 3/2003 Shaw D25/121
D476,832 S * 7/2003 Brandon D6/495
D482,552 S * 11/2003 Campbell et al. D6/509
6,881,469 B2 4/2005 Hightower
D509,599 S * 9/2005 MacDonald D25/121
D523,567 S * 6/2006 Whisler D25/199
D525,372 S 7/2006 Levi-Senigaglia
7,168,208 B2 1/2007 Ward
2009/0266739 A1 * 10/2009 Kindig 206/586
2009/0269131 A1 * 10/2009 Kindig et al. 403/404

OTHER PUBLICATIONS

Migatronic, Sigma 300/400/500 Professional Welding-Surprisingly Simple, http://www.migatronic.com/media/leafletsuk/52170032a_sigma.pdf, printed on Aug. 12, 2008, 8 pages.
Office Action from U.S. Appl. No. 29/318,545, filed Jun. 22, 2010—9 pages.

* cited by examiner

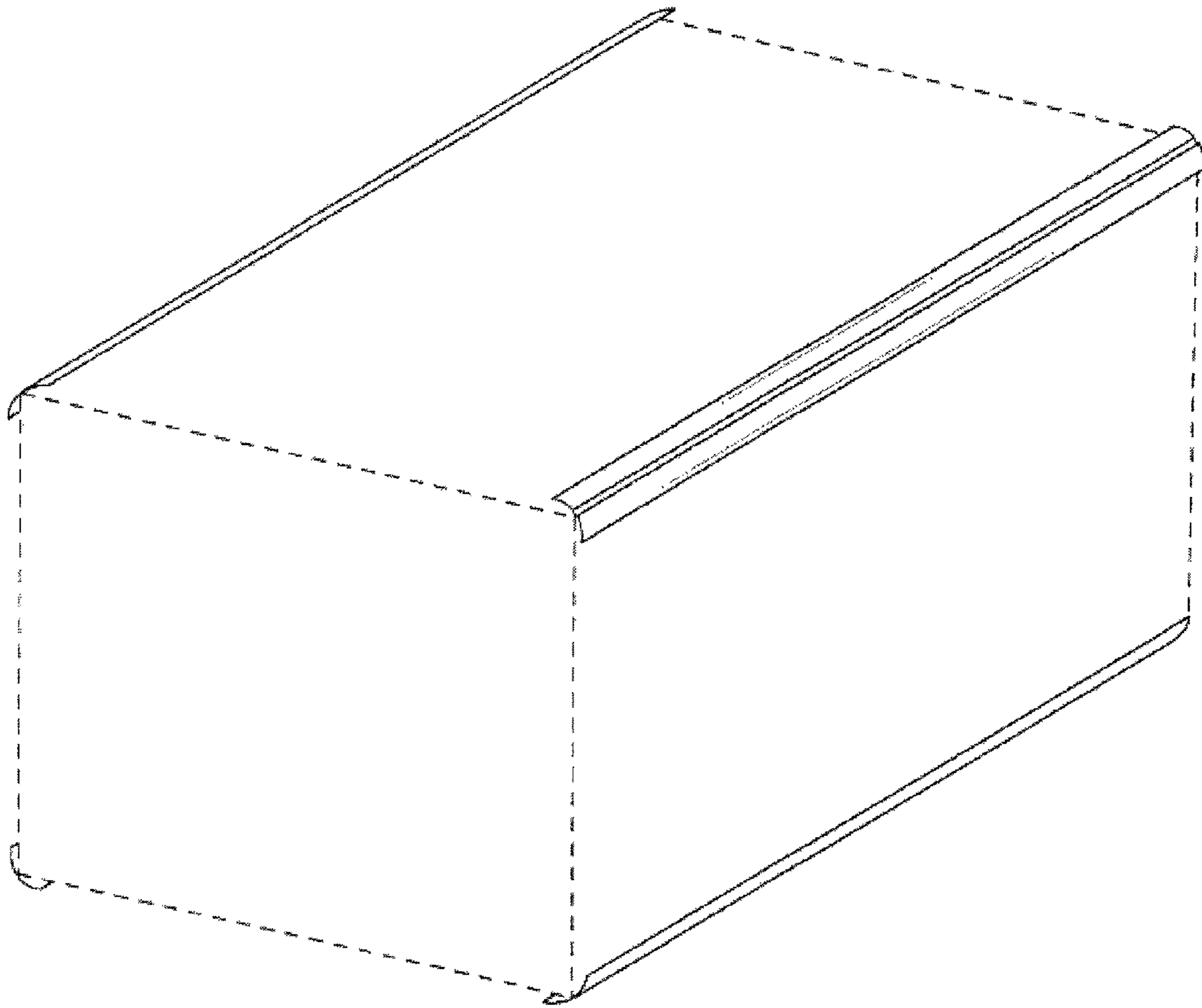


FIG 1

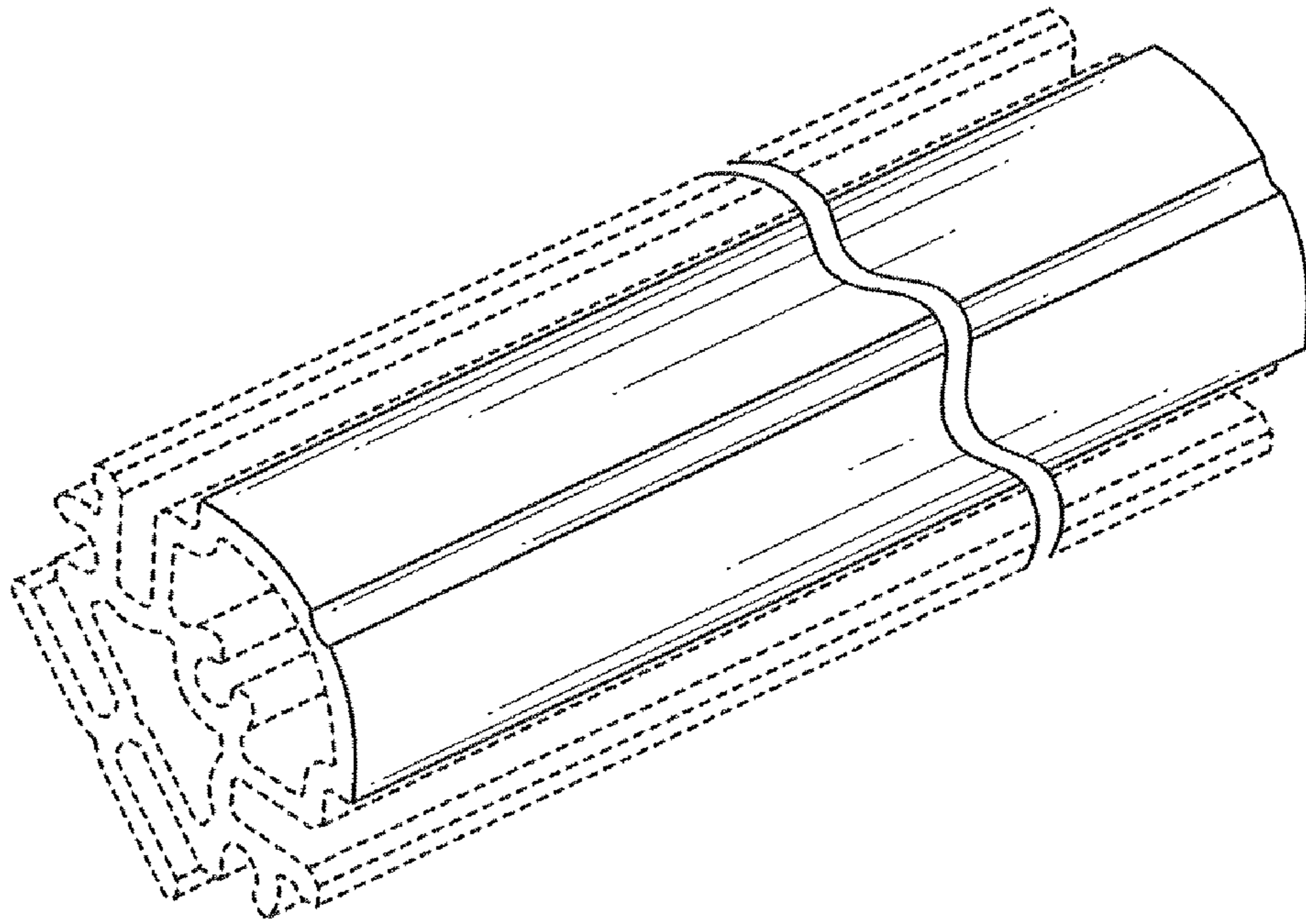


FIG. 2

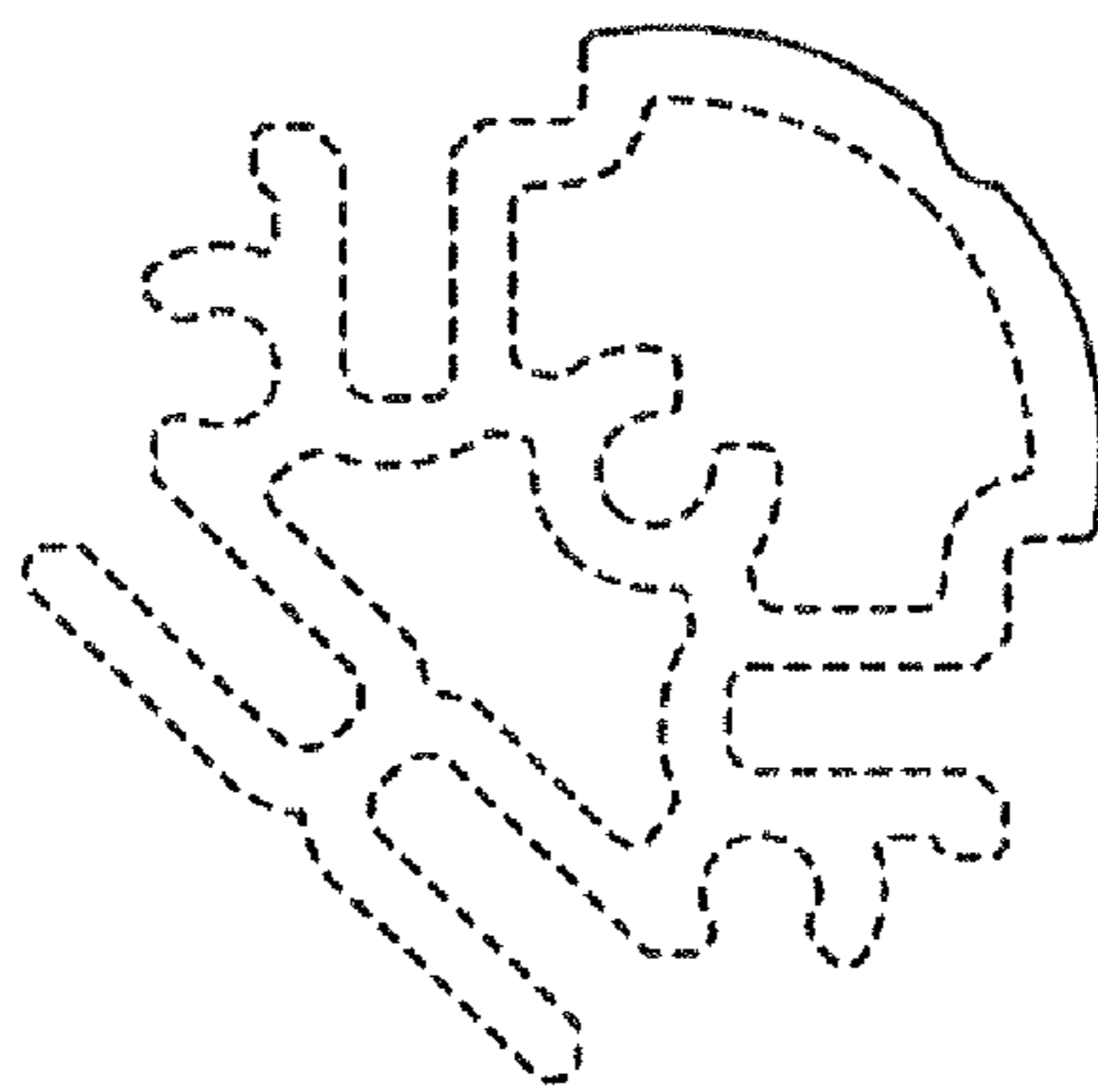


FIG. 3