



US00D628880S

(12) **United States Design Patent**
Kindig

(10) **Patent No.:** **US D628,880 S**

(45) **Date of Patent:** **** Dec. 14, 2010**

(54) **CORNER SYSTEM**

(75) Inventor: **Michael A. Kindig**, Chagrin Falls, OH
(US)

(73) Assignee: **Lincoln Global, Inc.**, City of Industry,
CA (US)

(**) Term: **14 Years**

(21) Appl. No.: **29/318,548**

(22) Filed: **May 22, 2008**

(51) **LOC (9) Cl.** **08-05**

(52) **U.S. Cl.** **D8/403**

(58) **Field of Classification Search** D8/400-499;
D25/199; D24/227, 229; 54/24, 26; 428/99,
428/199; 229/199; 206/453, 586, 557-567
See application file for complete search history.

(56) **References Cited**

U.S. PATENT DOCUMENTS

3,836,043	A	9/1974	Levin	
D246,625	S *	12/1977	Becker, III	D8/403
4,430,833	A	2/1984	Balzer et al.	
4,706,426	A	11/1987	Rumsey	
4,768,845	A	9/1988	Yeh	
4,817,902	A	4/1989	Mason	
5,000,301	A *	3/1991	Grenier	190/127
5,503,471	A *	4/1996	Aspenwall	312/140
5,647,182	A	7/1997	Rutherford	
D412,436	S *	8/1999	Tsui	D8/403
6,125,488	A	10/2000	Vogland et al.	
6,354,049	B1	3/2002	Bennett	
6,419,331	B2 *	7/2002	Wei	312/265.1
D478,502	S *	8/2003	Zamberg et al.	D8/403
D479,799	S *	9/2003	Zamberg et al.	D8/403

6,881,469	B2	4/2005	Hightower	
D525,372	S *	7/2006	Levi-Senigaglia	D25/121
7,168,208	B2 *	1/2007	Ward	49/462
2009/0266739	A1 *	10/2009	Kindig	206/586
2009/0269131	A1 *	10/2009	Kindig et al.	403/404

OTHER PUBLICATIONS

Esab Ab, Aristo(TM) Mig U4000i/U5000i, http://www.esab.com.ar/ar/sp/productos/upload/AristoMig_U5000_4000i.pdf, Nov. 7, 2006 (printed on Aug. 12, 2008), 2 pages.

Migatronic, Sigma 300/400/500 Professional Welding-Surprisingly Simple, http://www.migatronic.com/media/leafletsuk/52170032a_sigma.pdf, printed on Aug. 12, 2008, 8 pages.

* cited by examiner

Primary Examiner—Cathron C Brooks

Assistant Examiner—Barbara Fox

(74) *Attorney, Agent, or Firm*—Hahn Loeser & Parks LLP

(57) **CLAIM**

The ornamental design for a corner system, as shown and described.

DESCRIPTION

FIG. 1 is a perspective view of a corner system, shown attached to a box environment;

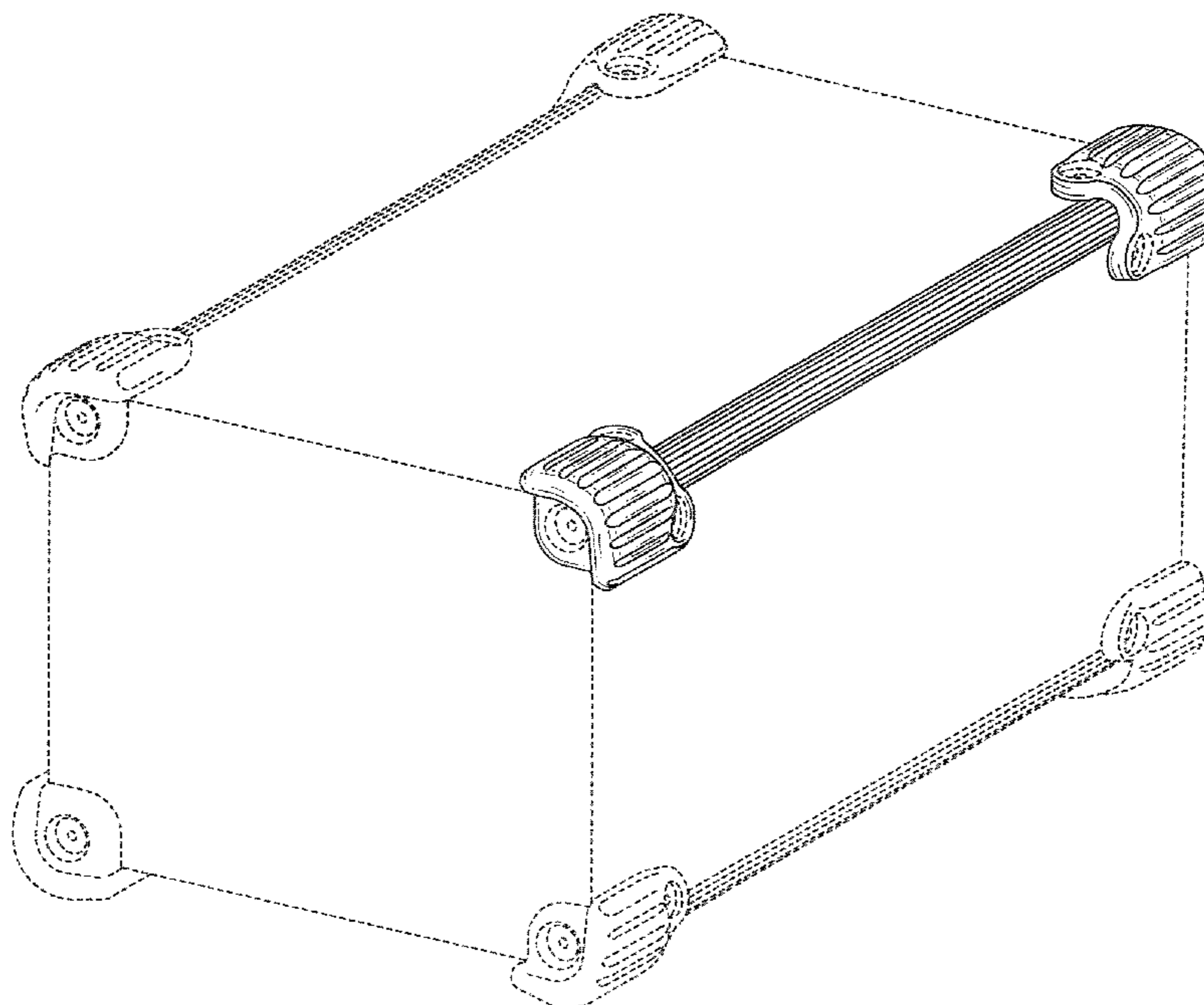
FIG. 2 is a left side perspective view of the corner system of FIG. 1, the right side perspective view of which is a mirror image thereof;

FIG. 3 is an end view of the corner system of FIG. 1; and,

FIG. 4 is a front view of the corner system of FIG. 1.

The broken lines shown in the drawings represent unclaimed portions of the corner system and form no part of the claimed design.

1 Claim, 3 Drawing Sheets



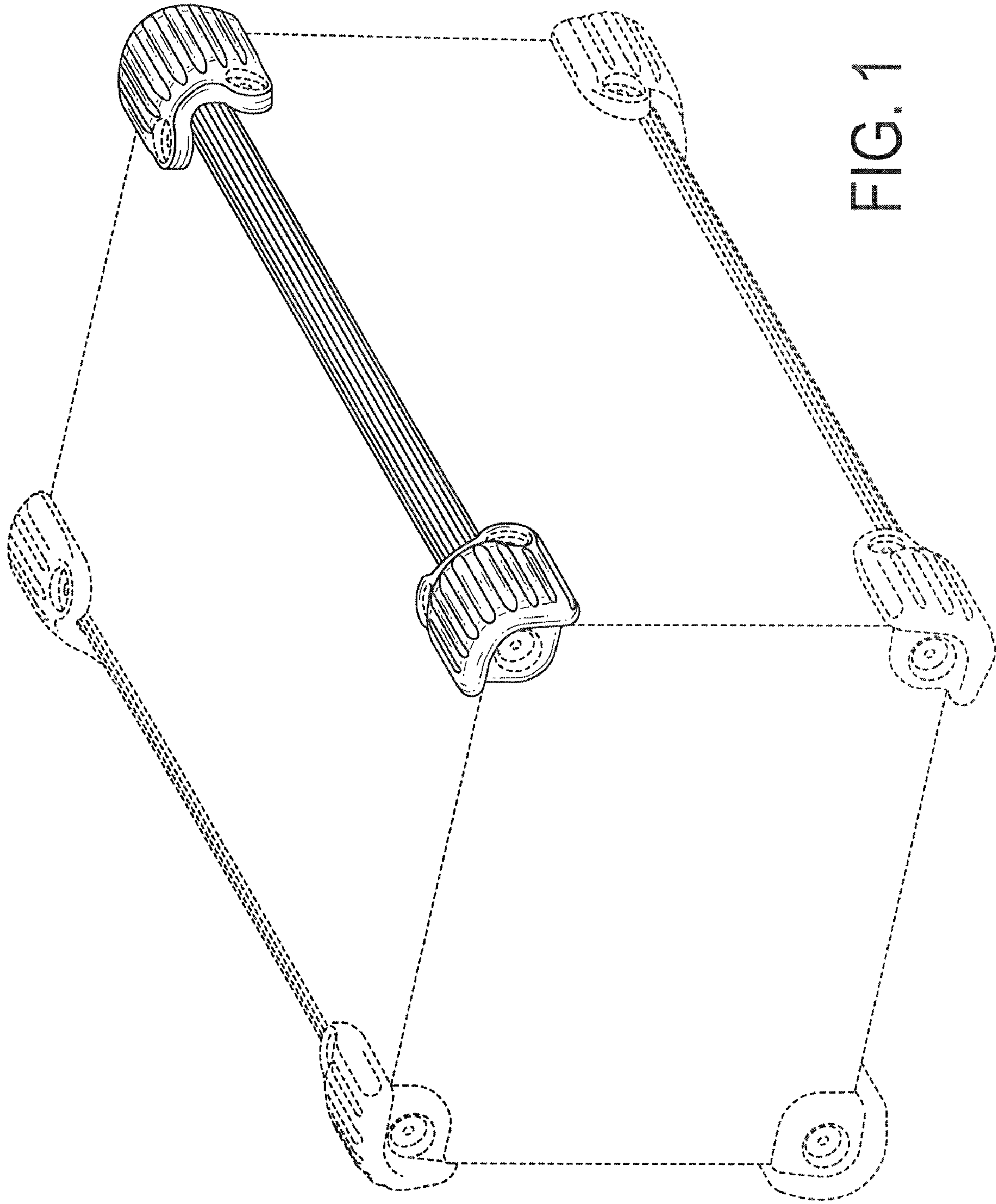


FIG. 1

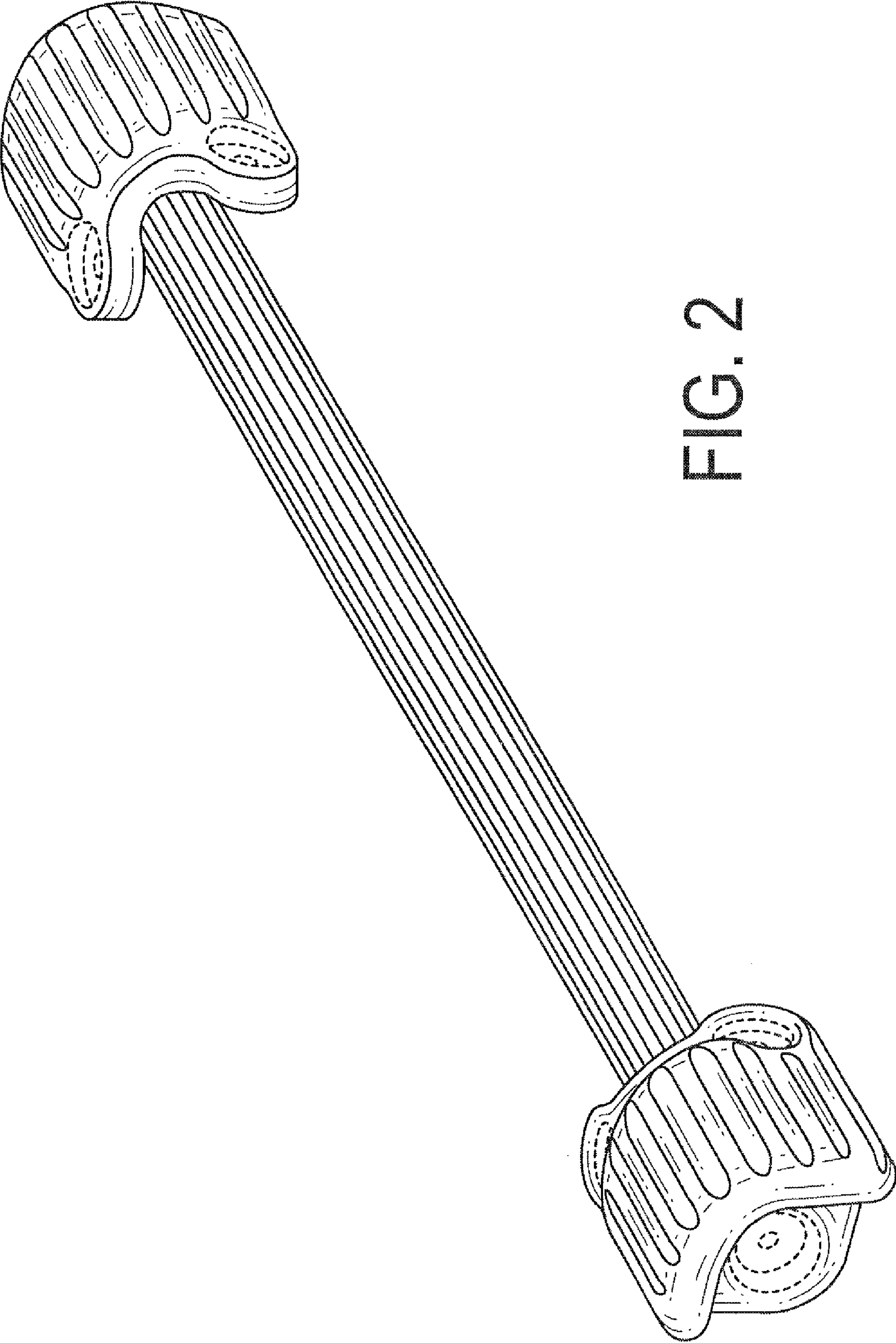


FIG. 2

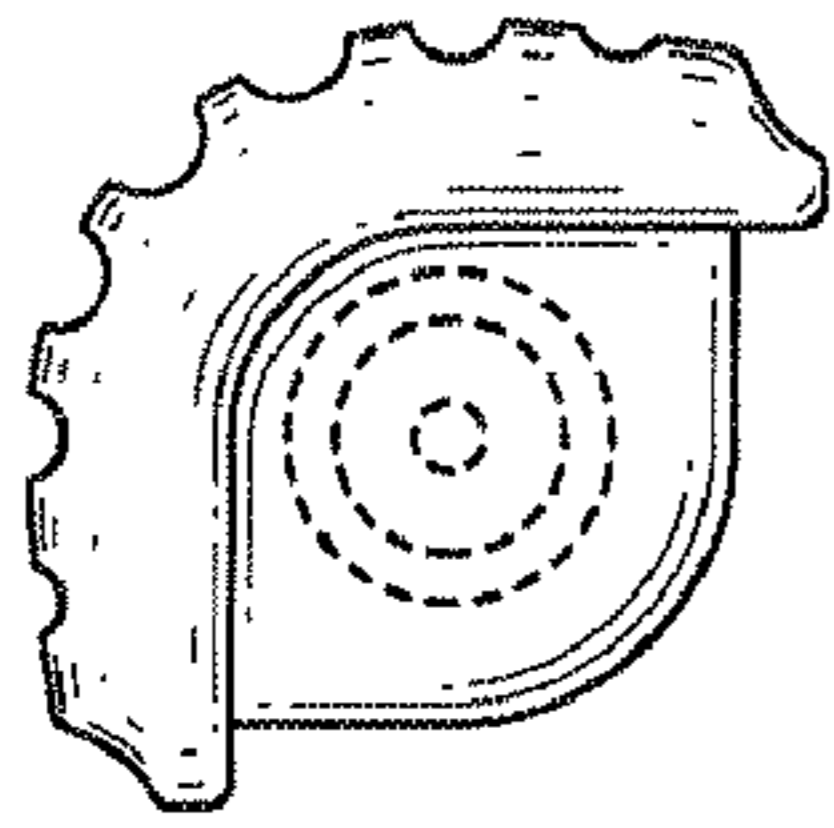


FIG. 3

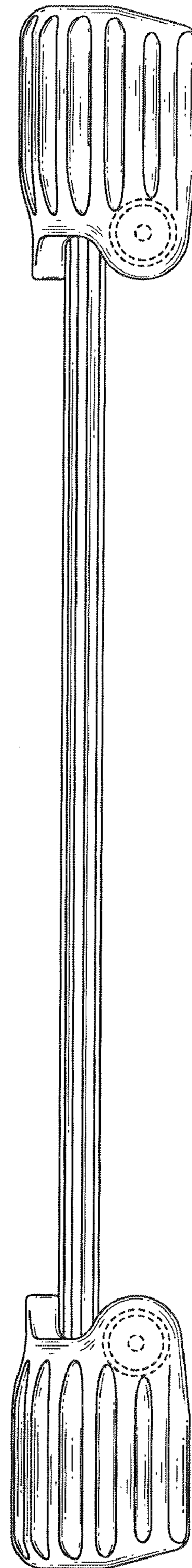


FIG. 4