



US00D628879S

(12) **United States Design Patent**  
**Kindig**

(10) **Patent No.:** **US D628,879 S**

(45) **Date of Patent:** **\*\* Dec. 14, 2010**

(54) **CORNER CAP**

(75) Inventor: **Michael A. Kindig**, Chagrin Falls, OH  
(US)

(73) Assignee: **Lincoln Global, Inc.**, City of Industry,  
CA (US)

(\*\*) Term: **14 Years**

(21) Appl. No.: **29/318,547**

(22) Filed: **May 22, 2008**

(51) **LOC (9) Cl.** ..... **08-05**

(52) **U.S. Cl.** ..... **D8/403**

(58) **Field of Classification Search** ..... D8/400-499;  
D25/199; D24/227, 229; 54/24, 26; 428/99,  
428/199; 229/199; 206/453, 586, 557-567  
See application file for complete search history.

(56) **References Cited**

**U.S. PATENT DOCUMENTS**

1,981,494	A *	11/1934	Berg	.....	52/631
2,264,401	A *	12/1941	Page et al.	.....	52/782.24
3,836,043	A *	9/1974	Levin	.....	206/504
D246,625	S *	12/1977	Becker, III	.....	D8/403
4,430,833	A	2/1984	Balzer et al.		
4,706,426	A	11/1987	Rumsey		
4,768,845	A	9/1988	Yeh		
4,817,902	A	4/1989	Mason		
5,000,301	A	3/1991	Grenier		
5,299,685	A *	4/1994	Chin	.....	206/320
5,503,471	A	4/1996	Aspenwall		
5,647,182	A	7/1997	Rutherford		
D412,436	S *	8/1999	Tsui	.....	D8/403
6,125,488	A	10/2000	Vogland et al.		
6,354,049	B1	3/2002	Bennett		
6,419,331	B2	7/2002	Wei		

6,881,469	B2	4/2005	Hightower		
7,168,208	B2	1/2007	Ward		
2008/0066404	A1 *	3/2008	Beard	.....	52/287.1
2009/0266739	A1 *	10/2009	Kindig	.....	206/586
2009/0269131	A1 *	10/2009	Kindig et al.	.....	403/404

**OTHER PUBLICATIONS**

ESAB AB, Aristo(TM) Mig U4000i/U5000i, [http://www.esab.com.ar/ar/sp/productos/upload/AristoMig\\_U5000\\_4000i.pdf](http://www.esab.com.ar/ar/sp/productos/upload/AristoMig_U5000_4000i.pdf), Nov. 7, 2006 (printed on Aug. 12, 2008), 2 pages.

Migatronic, Sigma 300/400/500 Professional Welding-Surprisingly Simple, [http://www.migatronic.com/media/leafletsuk/52170032a\\_sigma.pdf](http://www.migatronic.com/media/leafletsuk/52170032a_sigma.pdf), printed on Aug. 12, 2008, 8 pages.

\* cited by examiner

*Primary Examiner*—Cathron C Brooks

*Assistant Examiner*—Barbara Fox

(74) *Attorney, Agent, or Firm*—Hahn Loeser & Parks LLP

(57) **CLAIM**

The ornamental design for a corner cap, as shown and described.

**DESCRIPTION**

FIG. 1 is a perspective view of a corner cap;

FIG. 2 is a further perspective view of the corner cap of FIG. 1;

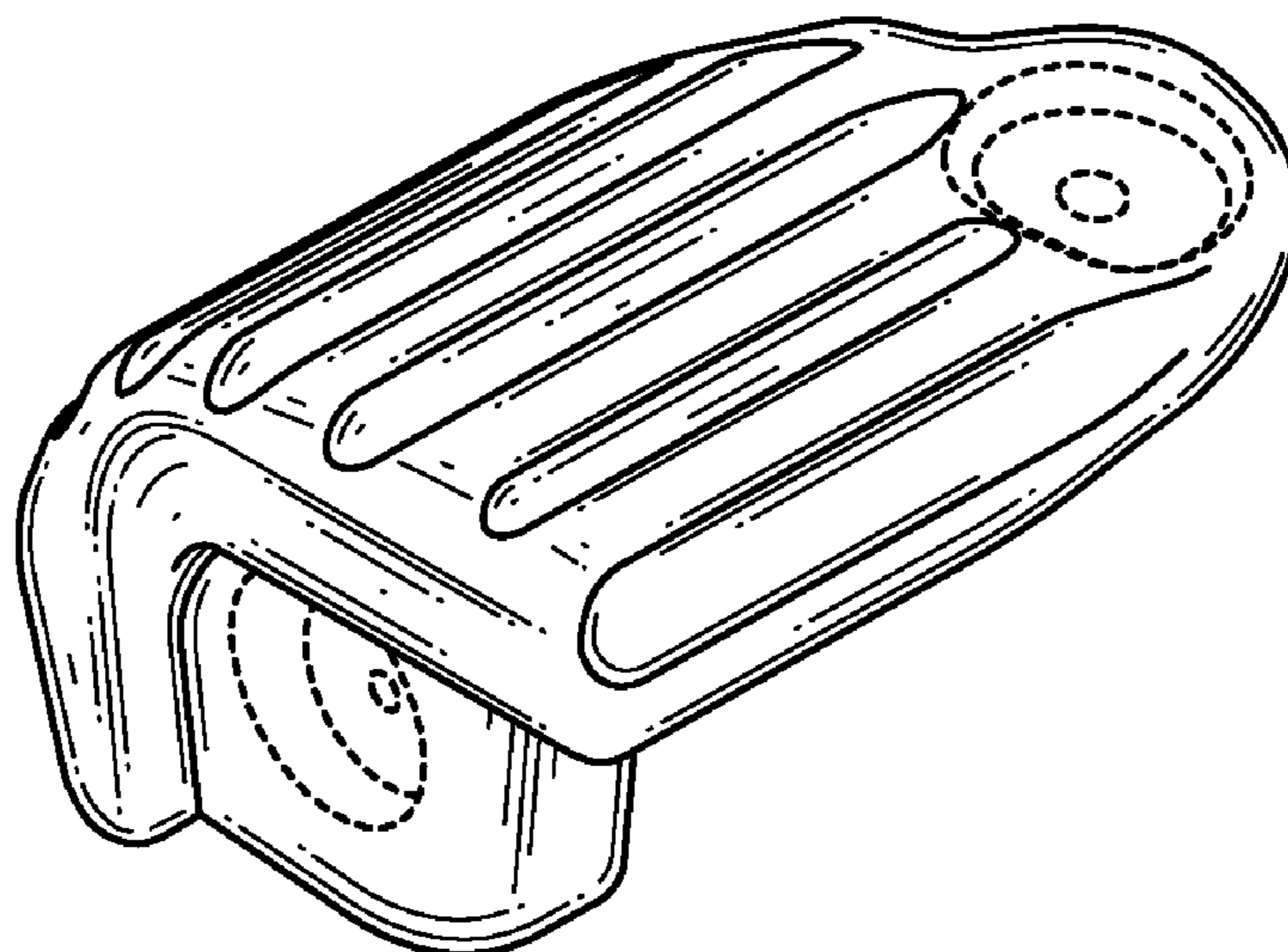
FIG. 3 is a left top side view of the corner cap of FIG. 1, the right top side view of which is a mirror image thereof;

FIG. 4 is a first end view of the corner cap of FIG. 1; and,

FIG. 5 is a second end view of the corner cap of FIG. 1.

The broken lines shown in the drawings represent unclaimed portions of the corner cap and form no part of the claimed design.

**1 Claim, 3 Drawing Sheets**



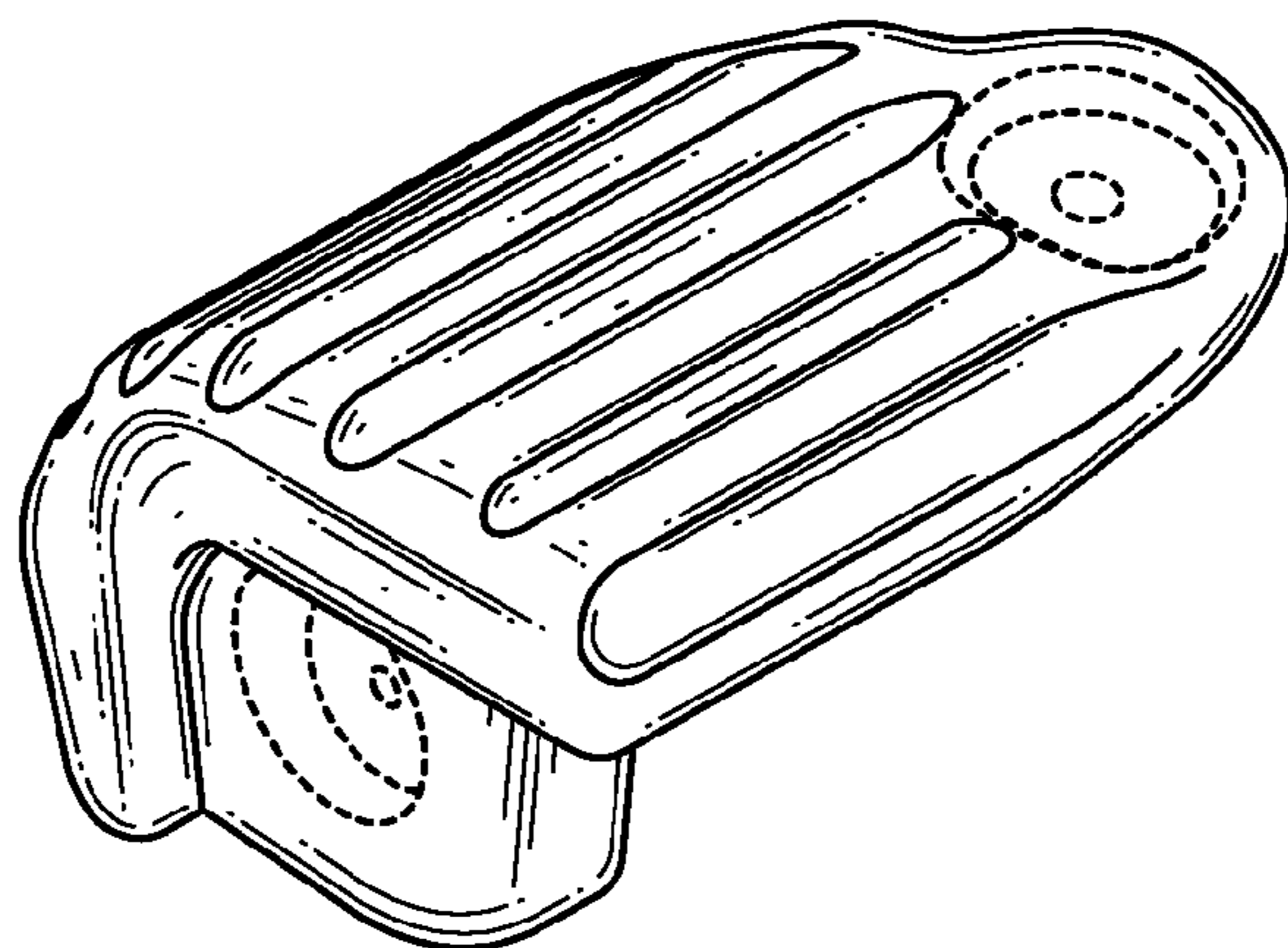


FIG. 1

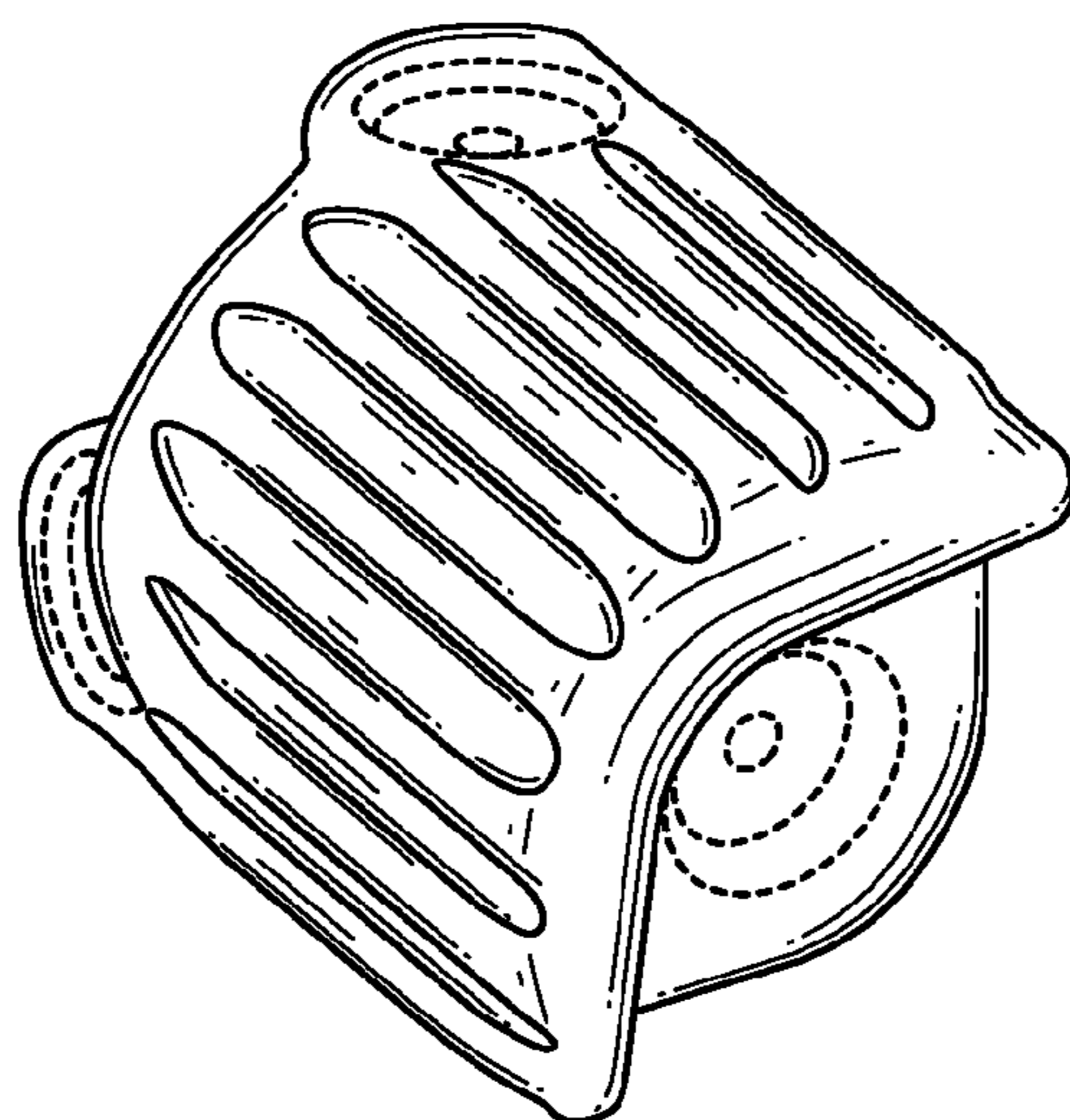


FIG. 2

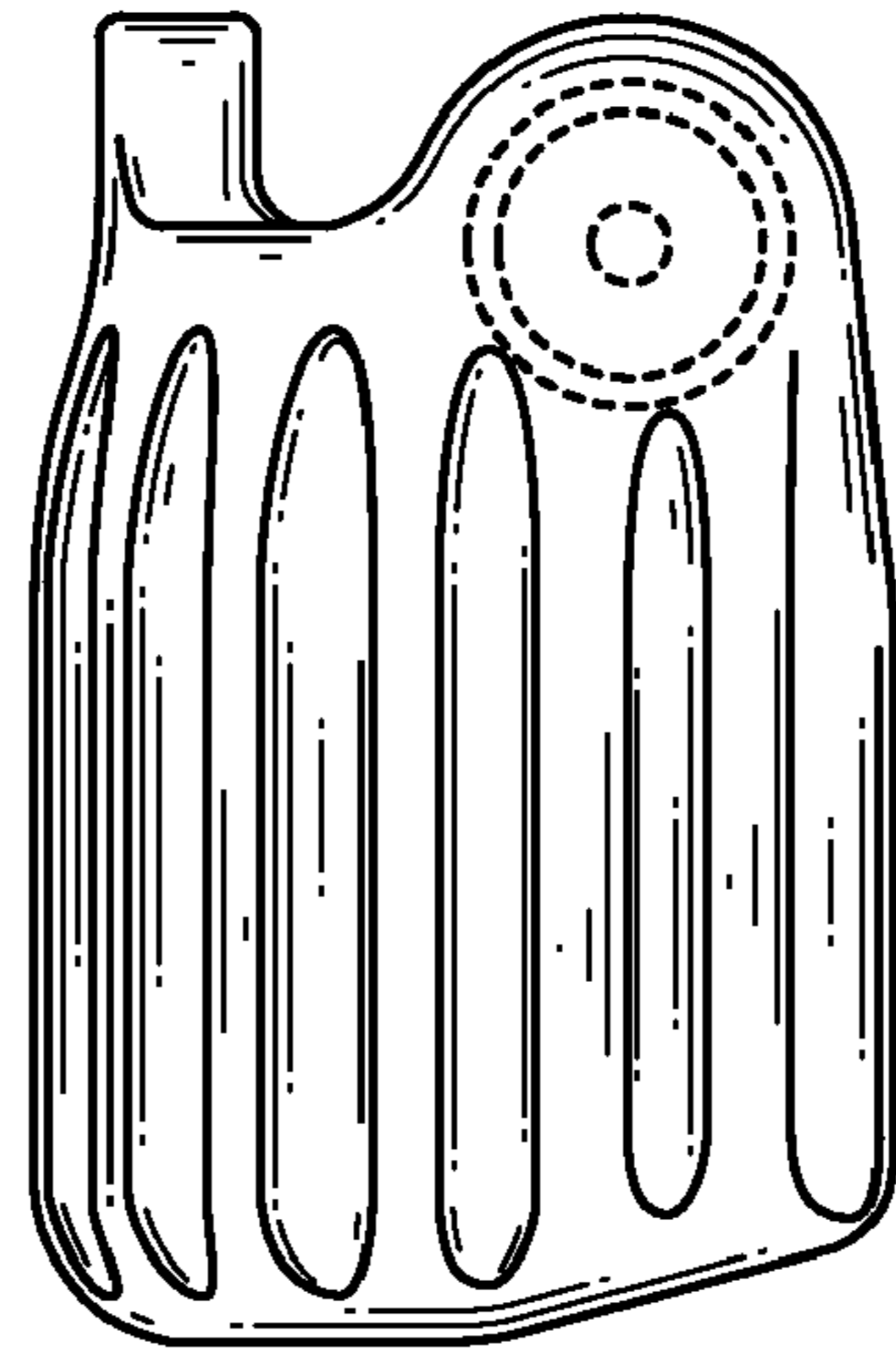


FIG. 3

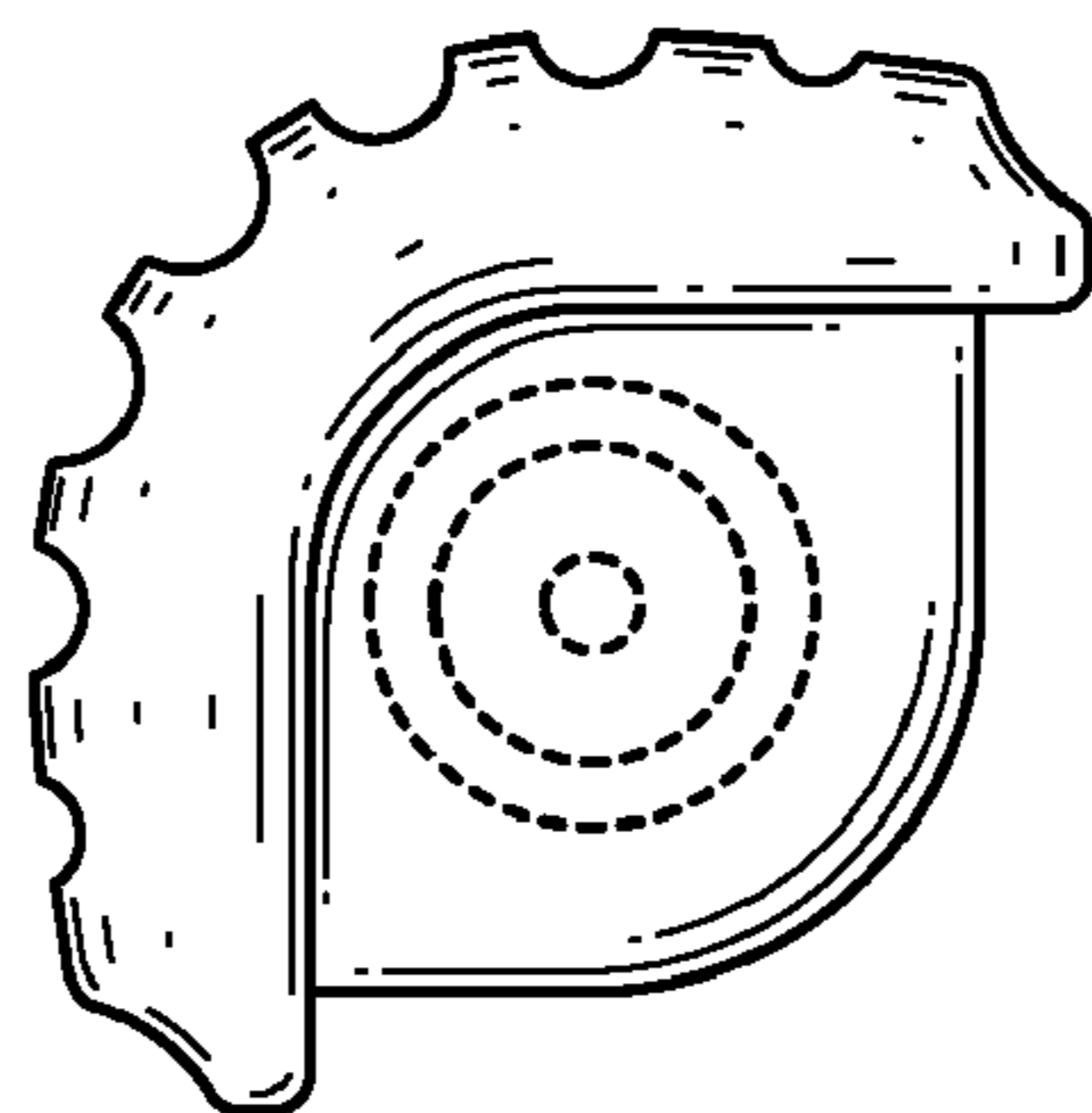


FIG. 4

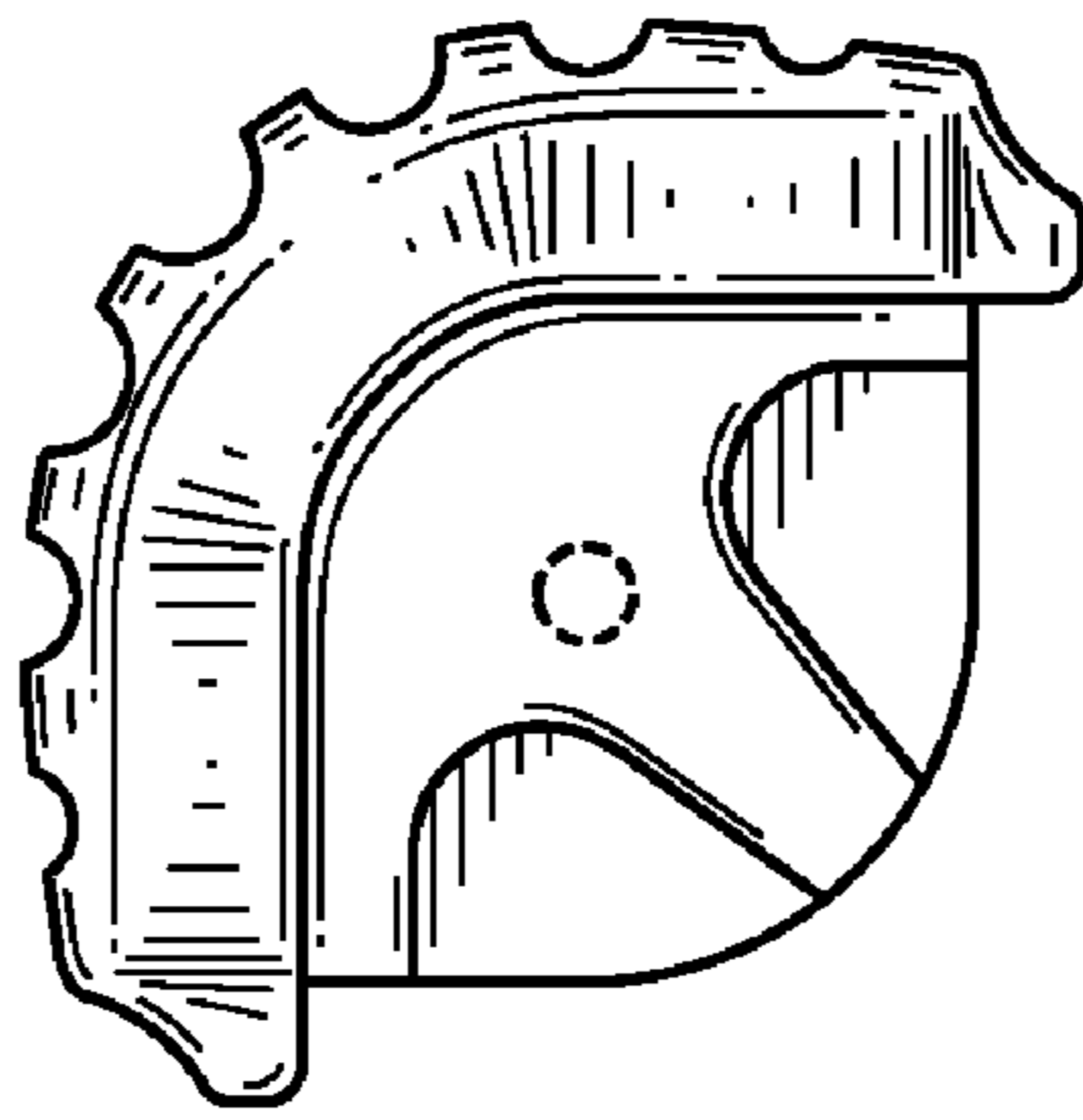


FIG. 5