



US00D628877S

(12) **United States Design Patent**
Stevens

(10) **Patent No.:** **US D628,877 S**

(45) **Date of Patent:** **** Dec. 14, 2010**

(54) **HOOK**

2,208,152 A 7/1940 Badhorn

2,857,644 A 10/1958 Gale

(75) Inventor: **Scott Stevens**, Oak Creek, WI (US)

(73) Assignee: **Master Lock Company LLC**, Oak Creek, WI (US)

(Continued)

(**) Term: **14 Years**

FOREIGN PATENT DOCUMENTS

(21) Appl. No.: **29/362,994**

CA 2643627 5/2009

(22) Filed: **Jun. 3, 2010**

(51) **LOC (9) Cl.** **08-05**

(Continued)

(52) **U.S. Cl.** **D8/367**

(58) **Field of Classification Search** D8/367,
D8/356, 370, 372, 1, 382, 373, 349, 354;
248/301-304, 175, 215, 339, 489; 70/59;
24/601, 599.9; 402/35; 114/218; D12/147;
D22/147; 16/87.2, 87.8; D6/313, 500; D20/43
See application file for complete search history.

Primary Examiner—Cynthia Underwood

(74) *Attorney, Agent, or Firm*—Calfee, Halter & Griswold LLP

(57) **CLAIM**

I claim the ornamental design for a hook, as shown and described.

(56) **References Cited**

U.S. PATENT DOCUMENTS

68,223 A	8/1867	Miller
71,201 A	11/1867	Miller
104,702 A	6/1870	Brown
191,857 A	6/1877	Hopper
248,957 A	11/1881	Smith
370,333 A	9/1887	Huff
399,005 A	3/1889	Blazier
494,820 A	4/1893	Miller
D32,573 S	4/1900	Storrs
661,069 A	11/1900	Norden
780,343 A	1/1905	Huff
830,914 A	9/1906	Myers
968,621 A	8/1910	Williams
1,010,952 A	12/1911	Purves
1,059,686 A	4/1913	Paulsen
1,064,123 A	6/1913	Bayuk
1,263,745 A	4/1918	Craven
1,409,068 A	3/1922	Simpson
1,514,772 A	11/1924	Kinnear
1,956,786 A	5/1934	Bemis

DESCRIPTION

FIG. 1 is a front perspective view of a hook showing the new design;

FIG. 2 is a top view of the hook of FIG. 1;

FIG. 3 is a front view of the hook of FIG. 1;

FIG. 4 is a bottom view of the hook of FIG. 1;

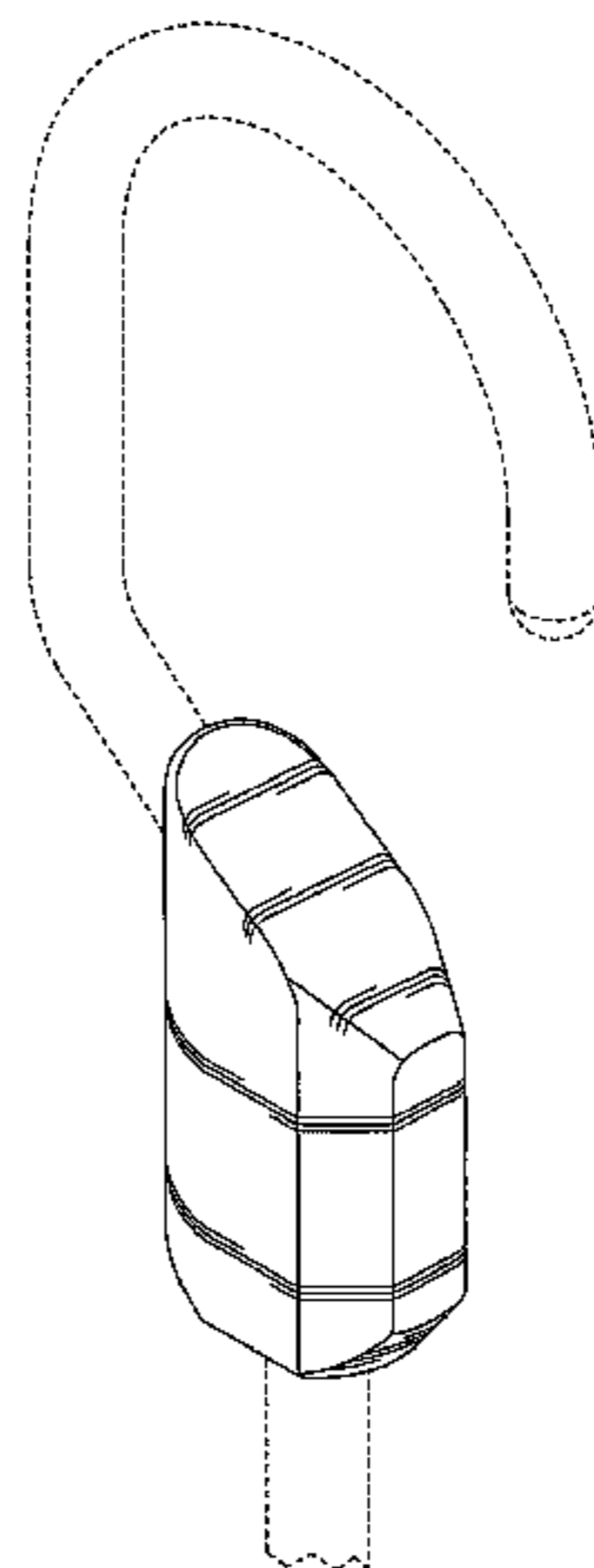
FIG. 5 is a rear view of the hook of FIG. 1;

FIG. 6 is a right side view of the hook of FIG. 1; and,

FIG. 7 is a left side view of the hook of FIG. 1.

The portions of the Figures shown in phantom lines are for illustrative purpose only and form no part of the claimed design.

1 Claim, 4 Drawing Sheets



US D628,877 S

U.S. PATENT DOCUMENTS

3,283,433 A 11/1966 Navarino
D260,234 S 8/1981 Johnson, Jr.
4,432,121 A 2/1984 Dupre
4,559,677 A 12/1985 Tracy
4,569,108 A 2/1986 Schwab
D291,630 S * 9/1987 Chap D6/323
D292,499 S 10/1987 Eddy
4,769,875 A 9/1988 Hartman
4,831,692 A 5/1989 Chuan
D307,705 S 5/1990 Mair
4,995,329 A 2/1991 Kleine
5,005,266 A 4/1991 Fister
D320,920 S * 10/1991 Madsen D8/91
5,187,844 A 2/1993 Simond
5,210,914 A 5/1993 Katsma
D338,602 S 8/1993 Schaumburg
D345,297 S 3/1994 Kraine
5,308,101 A 5/1994 Monty
5,317,788 A 6/1994 Esposito et al.
5,384,943 A 1/1995 LeFebvre
5,416,955 A 5/1995 Katsma
5,423,644 A 6/1995 First, Sr.
D364,552 S 11/1995 Mathiassen
5,463,798 A 11/1995 Wurzer
5,490,650 A 2/1996 Pendergrass
5,546,639 A 8/1996 Lacore et al.
5,553,822 A 9/1996 Barnard et al.
5,638,584 A 6/1997 DeAnfrasio
5,655,329 A 8/1997 Yong-Set
5,687,892 A * 11/1997 Johns 224/268
5,695,102 A 12/1997 Jackson
D389,036 S 1/1998 Smiley et al.
5,732,662 A 3/1998 Jacobsen
5,758,392 A 6/1998 Anscher et al.
5,913,479 A 6/1999 Westwood, III
D415,417 S * 10/1999 Suzuki D9/415
D417,386 S 12/1999 Huston
6,012,204 A 1/2000 Roethler
6,014,794 A 1/2000 McCoy
6,049,950 A 4/2000 Cavallo
6,049,953 A 4/2000 McCay
D423,914 S 5/2000 Klein et al.
6,113,327 A 9/2000 Schrader
6,152,838 A 11/2000 Killion
6,161,261 A 12/2000 Shaw
6,202,263 B1 3/2001 Harker
D444,052 S 6/2001 Catlett
6,280,128 B1 8/2001 Schrader
6,328,179 B1 12/2001 Conrado et al.
D457,420 S 5/2002 Kalat
6,381,812 B1 5/2002 Crider
6,394,720 B1 5/2002 McCay
D458,831 S 6/2002 Selby
D467,159 S 12/2002 Meyer
D472,452 S 4/2003 Chou
6,588,076 B1 7/2003 Choate
6,623,224 B2 9/2003 Schrader
D480,946 S 10/2003 Estep, Jr.
D481,296 S 10/2003 Chen
6,675,977 B2 1/2004 Parks
D504,767 S * 5/2005 DiMarchi et al. D3/215
D505,545 S * 5/2005 Kay D3/228
6,886,796 B1 5/2005 Elander
D508,588 S 8/2005 Groover
6,938,306 B2 9/2005 Joubert et al.
7,025,172 B2 4/2006 Gregory
7,080,718 B2 7/2006 McCay
D525,861 S 8/2006 Mackey et al.
7,103,944 B2 9/2006 Johnson
7,181,809 B1 2/2007 Kuo

D537,708 S 3/2007 Leung
D545,068 S 6/2007 Giampavolo
7,228,600 B1 6/2007 Selby
7,228,601 B2 6/2007 Thompson
D546,169 S * 7/2007 Selby D8/367
D551,066 S * 9/2007 Takahashi D8/383
D551,541 S 9/2007 Kuo
D552,456 S 10/2007 Selby
D557,591 S 12/2007 Mackey
7,320,159 B2 1/2008 Petzl
7,343,648 B2 3/2008 Shaw
D568,145 S 5/2008 Handel
D570,256 S * 6/2008 Tucker D12/133
7,458,135 B2 12/2008 Mikesell
7,540,070 B1 6/2009 Selby
D597,824 S * 8/2009 Wang D8/356
7,574,881 B1 8/2009 Wong
D605,027 S * 12/2009 Leung D8/367
2002/0194711 A1 12/2002 Stampler
2003/0106187 A1 6/2003 Jackson
2003/0106190 A1 6/2003 Christianson
2004/0143945 A1 7/2004 Christianson
2005/0050695 A1 3/2005 Mackey et al.
2005/0115654 A1 6/2005 Badham
2006/0137151 A1 6/2006 Thompson
2006/0169534 A1 8/2006 Green
2006/0219479 A1 10/2006 Petzi
2007/0186393 A1 8/2007 Thompson
2007/0261213 A1 11/2007 Nolan
2008/0005876 A1 1/2008 Christianson
2008/0022497 A1 1/2008 Thompson
2008/0060170 A1 3/2008 Wagner
2008/0120818 A1 5/2008 Belcourt
2009/0119887 A1 5/2009 Joubert et al.
2009/0119891 A1 5/2009 Leung
2009/0151651 A1 6/2009 Charrin

FOREIGN PATENT DOCUMENTS

DE 3715361 11/1988
EP 0255281 3/1988
EP 0493252 7/1992
EP 0722856 7/1996
EP 1329646 7/2003
EP 1795439 6/2007
FR 2059778 6/1971
FR 2059879 6/1971
FR 2208805 6/1974
FR 2407386 5/1979
FR 2606751 5/1988
FR 2670850 6/1992
FR 2707257 1/1995
FR 2718041 6/1995
FR 2733013 10/1996
FR 2767162 2/1999
FR 2881488 4/2006
FR 2929905 3/2009
FR 2923561 5/2009
GB 2043465 10/1980
GB 2058901 5/1981
GB 2279249 1/1995
GB 2344268 7/2000
GB 2439740 1/2008
WO 94/0846 3/1994
WO 98/06293 2/1998
WO 99/08010 2/1999
WO 04/045899 3/2004
WO 2005/024267 3/2005
WO 2006045157 5/2006
WO 2007128076 11/2007

* cited by examiner

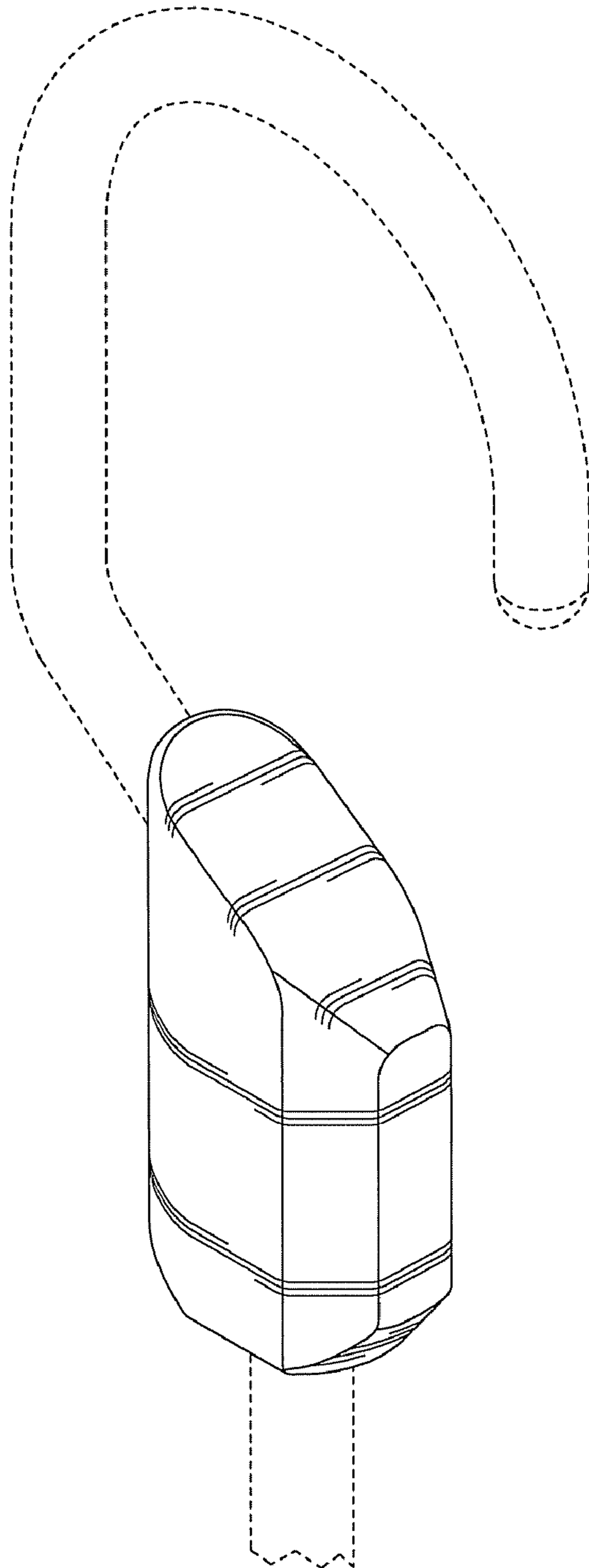


FIG. 1

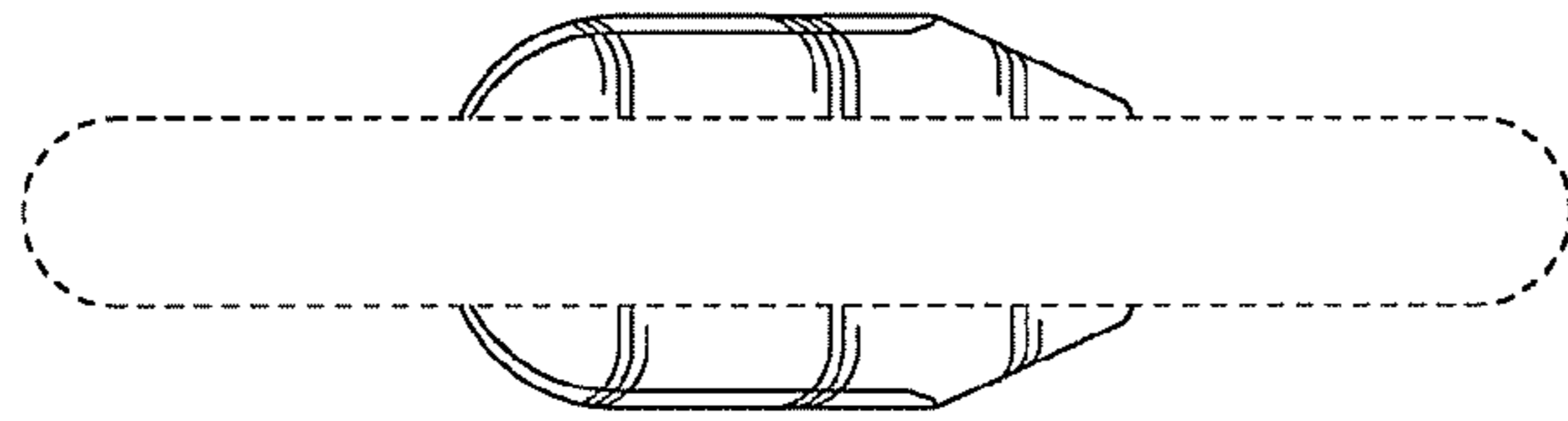


FIG. 2

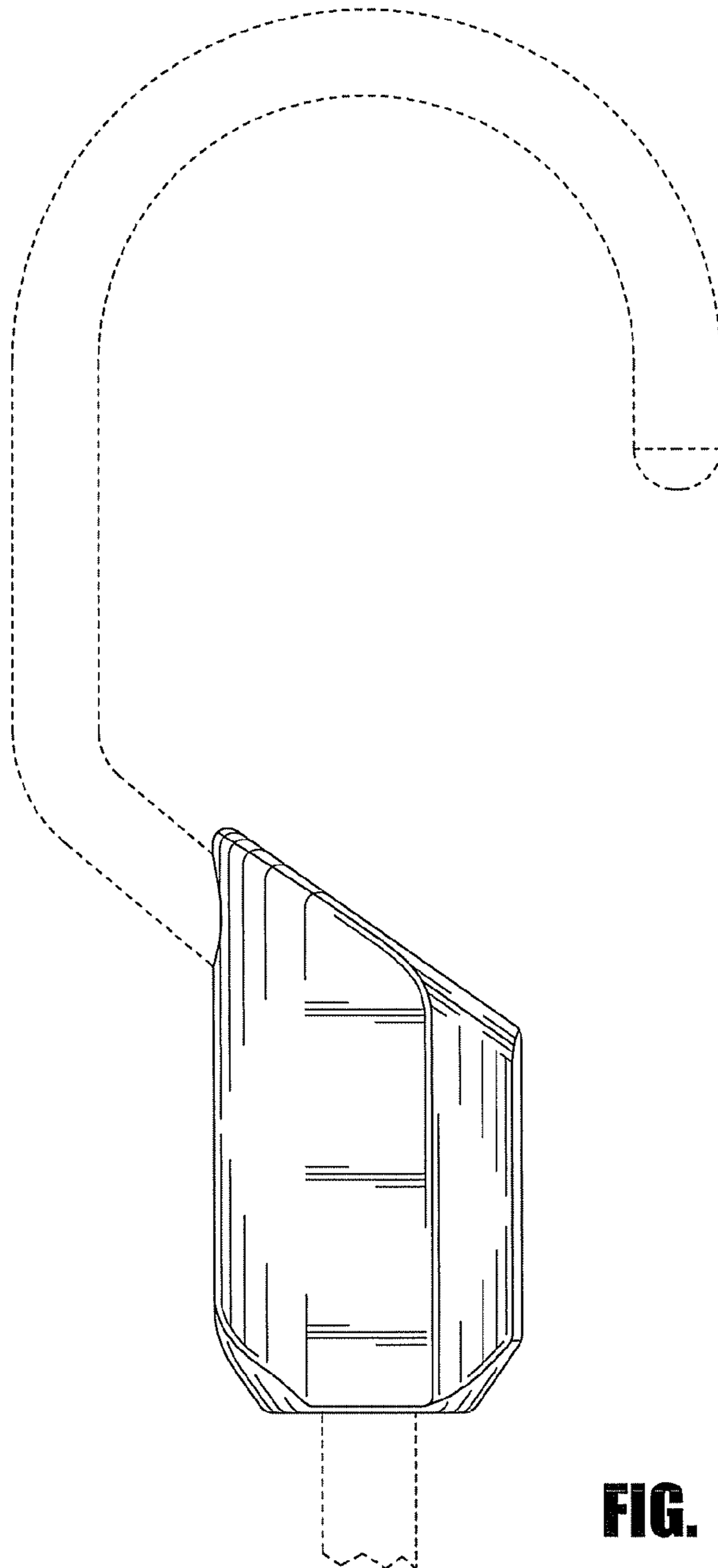


FIG. 3

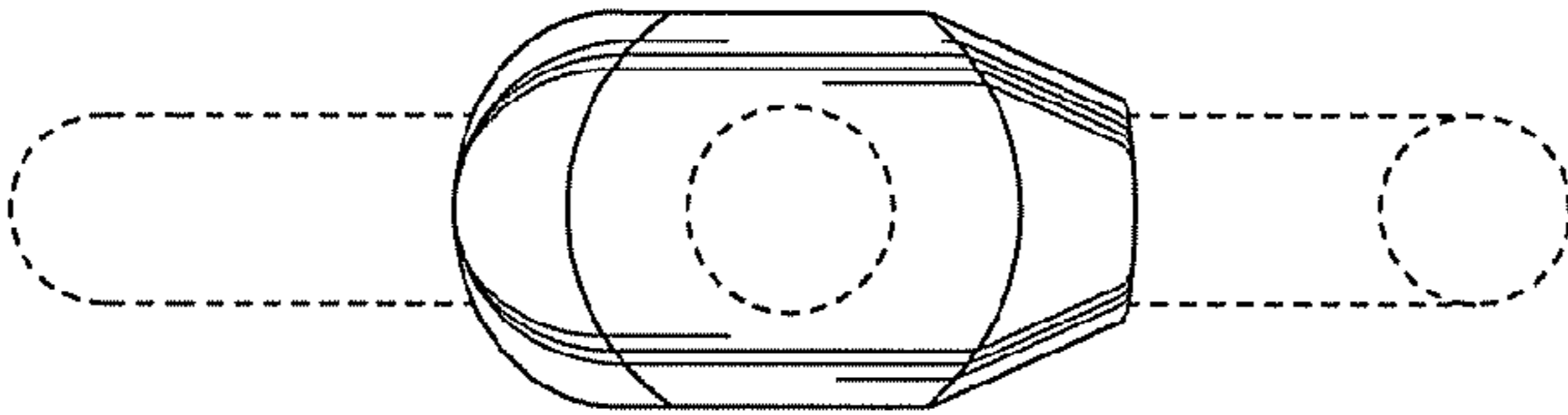


FIG. 4

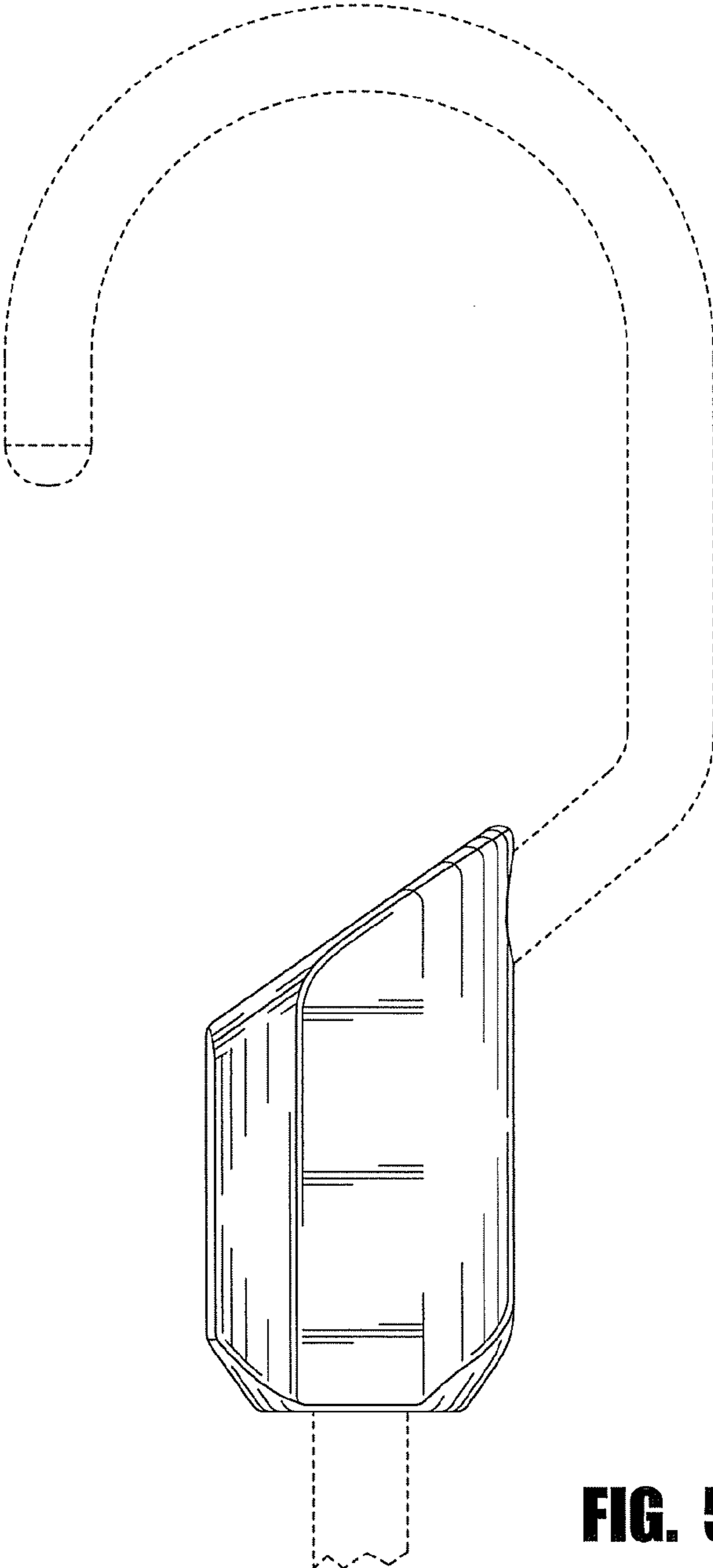


FIG. 5

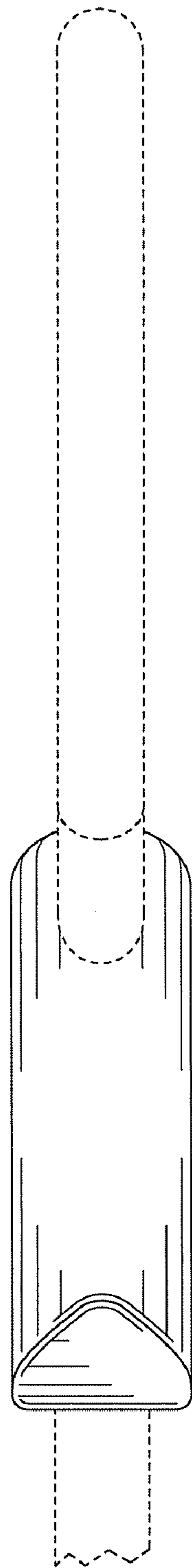


FIG. 6

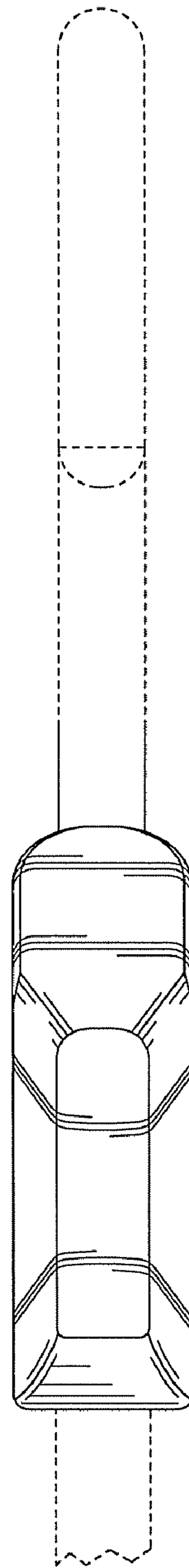


FIG. 7