



US00D628873S

(12) **United States Design Patent**
Kelleghan

(10) **Patent No.:** **US D628,873 S**

(45) **Date of Patent:** **** Dec. 14, 2010**

(54) **CARABINER WITH STRAP ATTACHMENT**

(75) Inventor: **Brian James Kelleghan**, Longmont, CO
(US)

(73) Assignee: **Bison Designs, LLC**, Longmont, CO
(US)

(**) Term: **14 Years**

(21) Appl. No.: **29/354,049**

(22) Filed: **Jan. 19, 2010**

(51) **LOC (9) Cl.** **08-05**

(52) **U.S. Cl.** **D8/356**

(58) **Field of Classification Search** D8/105,
D8/107, 333, 349, 356, 358, 360, 360.1, 367,
D8/372, 373, 382, 383, 394-396, 400; D13/133,
D13/139.4, 153, 155; 24/18, 20 W, 23 W,
24/115 R, 129 C, 130, 131 R, 197, 561; 52/220.7;
174/135, 153 G, 650, 656; 211/86.01, 87.01,
211/94.01; 242/400.1, 405.1, 405.2, 600,
242/603; 248/65, 74.1-74.4, 201, 214, 215,
248/229.26; 114/114

See application file for complete search history.

(56) **References Cited**

U.S. PATENT DOCUMENTS

18,275 A 6/1865 Hamilton

(Continued)

FOREIGN PATENT DOCUMENTS

EP 581693 A1 * 2/1994

(Continued)

OTHER PUBLICATIONS

U.S. Appl. No. 29/354,130, filed Jan. 20, 2010; First Named Inventor:
Brian James Kelleghan.

(Continued)

Primary Examiner—Robert M Spear

Assistant Examiner—Karen Acker

(74) *Attorney, Agent, or Firm*—Margaret Polson; Oppedahl
Patent Law Firm LLC

(57) **CLAIM**

The ornamental design for a carabiner with strap attachment,
as shown and described.

DESCRIPTION

FIG. 1 is a front elevation view of a carabiner with a strap
attachment showing my new design.

FIG. 2 is a rear elevation view of FIG. 1.

FIG. 3 is a right side elevation view of FIG. 1.

FIG. 4 is a left side elevation view of FIG. 1.

FIG. 5 is a top plan view of FIG. 1.

FIG. 6 is a bottom plan view of FIG. 1.

FIG. 7 is a rear perspective view of FIG. 1.

FIG. 8 is a rear elevation view of a second embodiment of a
carabiner with a strap attachment.

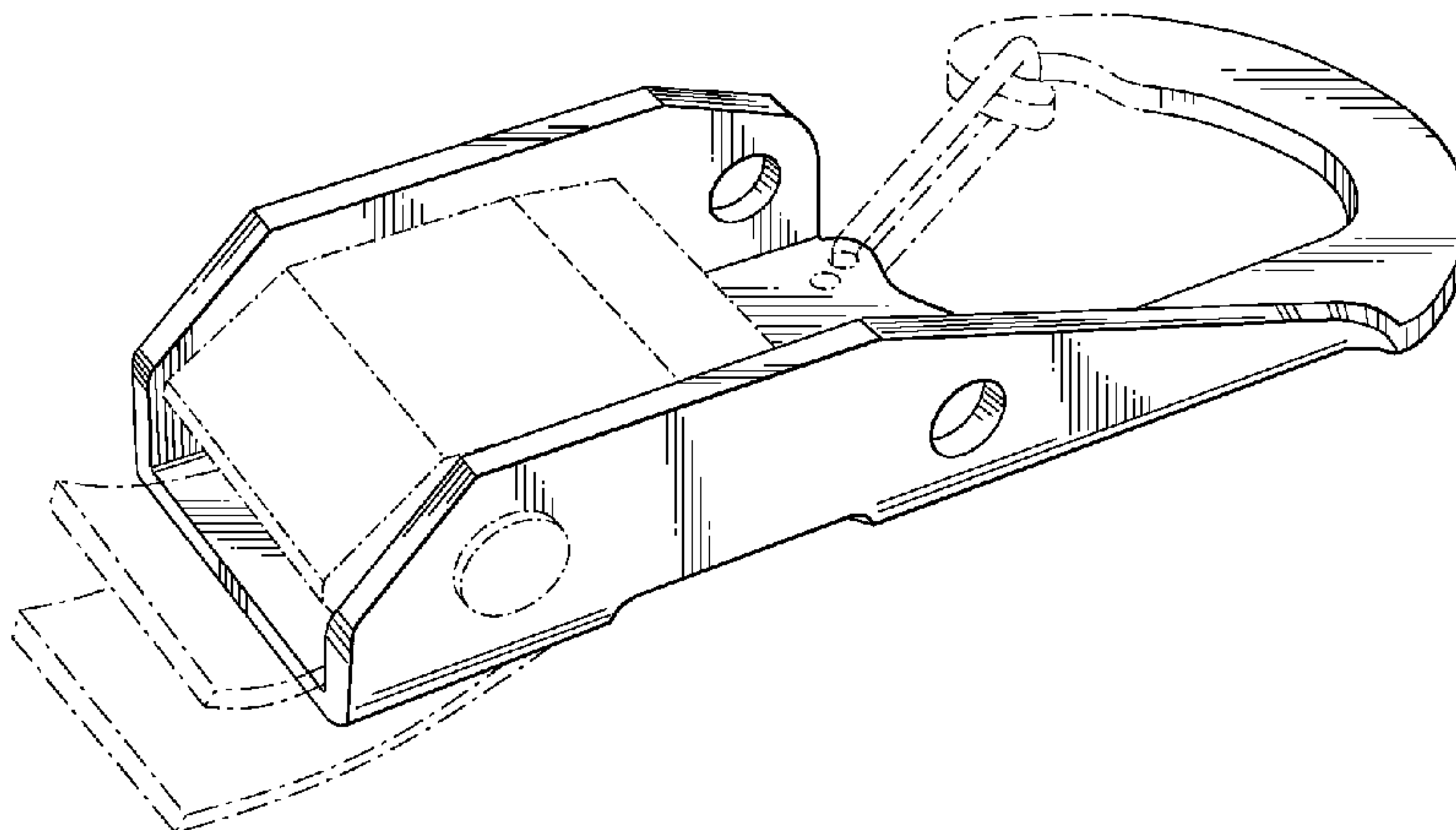
FIG. 9 is a front elevation view of FIG. 8.

FIG. 10 is a top plan view of FIG. 8; and,

FIG. 11 is a bottom plan view of FIG. 8.

The right side elevation view of the embodiment of FIG. 8 is
a mirror image of FIG. 3; the left side elevation view of the
embodiment of FIG. 8 is a mirror image of FIG. 4. The gate
strap, pin holes and lever, which are shown in broken lines,
illustrate environment only and do not form part of the
claimed design.

1 Claim, 3 Drawing Sheets



US D628,873 S

Page 2

U.S. PATENT DOCUMENTS

114,459 A 5/1871 Meyer
 760,171 A 5/1904 Atwell
 1,764,813 A 6/1930 Thornley
 2,666,244 A 1/1954 Carmichael
 3,102,317 A 9/1963 Cadley
 D281,483 S 11/1985 Faidide
 4,577,374 A * 3/1986 Lii 24/165
 D285,989 S 10/1986 MacDonald
 4,622,724 A 11/1986 Dupre
 D310,017 S * 8/1990 Matthews D8/356
 5,146,657 A 9/1992 Frano
 D330,669 S 11/1992 Hui-Chuan
 D331,695 S * 12/1992 O'Keefe D8/356
 5,329,675 A 7/1994 McLean et al.
 5,384,943 A 1/1995 LeFebvre et al.
 5,416,955 A 5/1995 Katsma
 5,463,798 A 11/1995 Wurzer
 D375,252 S 11/1996 Serra Fabregas
 5,669,119 A * 9/1997 Seron 24/265 H
 5,685,185 A 11/1997 MacDonald
 D391,840 S 3/1998 Striebel
 D402,189 S 12/1998 Izumi
 5,937,490 A 8/1999 Mihailovic
 D433,310 S 11/2000 Luquire
 D433,311 S 11/2000 Luquire
 D444,100 S 6/2001 Kelleghan
 D444,685 S 7/2001 Shenkel et al.
 D448,655 S * 10/2001 Lai D8/367
 D448,986 S * 10/2001 Cook et al. D8/367
 6,363,244 B1 3/2002 McGhee
 D461,312 S 8/2002 Proot et al.
 D462,891 S 9/2002 Kelleghan
 D467,156 S 12/2002 Bishop
 D468,997 S 1/2003 Chang
 D474,095 S 5/2003 Luquire
 D496,251 S 9/2004 Buscart
 D500,244 S * 12/2004 Yoshiguchi D8/367
 D504,306 S 4/2005 Chisolm
 D515,903 S 2/2006 Kelleghan

D519,010 S 4/2006 Oas
 D520,345 S 5/2006 Kelleghan
 D527,988 S 9/2006 Shetler
 D528,238 S 9/2006 Kramer
 D539,122 S 3/2007 Tsai
 D543,440 S 5/2007 Plzak
 D553,480 S 10/2007 Kelleghan
 D564,341 S 3/2008 Kelleghan
 D573,493 S 7/2008 Tsai
 D574,692 S 8/2008 Cooper
 D577,283 S 9/2008 Nishida et al.
 7,428,769 B2 * 9/2008 Fontaine et al. 24/130
 D579,763 S * 11/2008 Uehara et al. D8/367
 D591,642 S * 5/2009 Henderson et al. D11/216
 D594,315 S 6/2009 Szymanski et al.
 D600,534 S 9/2009 Tokumoto
 D608,187 S * 1/2010 Baron D8/367
 D609,078 S 2/2010 Kelleghan
 2003/0106190 A1 6/2003 Christianson
 2005/0172461 A1 8/2005 Hall
 2006/0261649 A1 * 11/2006 Baldwin et al. 297/250.1
 2008/0016659 A1 1/2008 Peterson
 2008/0134479 A1 * 6/2008 Kolasa et al. 24/625
 2008/0185409 A1 8/2008 Kellenberger
 2009/0000086 A1 1/2009 Bing
 2009/0178250 A1 7/2009 Brown et al.
 2009/0276983 A1 11/2009 Chan

FOREIGN PATENT DOCUMENTS

EP 1178227 A1 * 2/2002
 EP 1384497 A1 * 1/2004

OTHER PUBLICATIONS

U.S. Appl. No. 61/297,155, filed Jan. 21, 2010; First Named Inventor:
 Brian James Kelleghan.
 U.S. Appl. No. 29/354,316, filed Jan. 20, 2010; First Named Inventor:
 Brian James Kelleghan.
 U.S. Appl. No. 29/354,843, filed Jan. 29, 2010; First Named Inventor:
 Brian James Kelleghan.

* cited by examiner

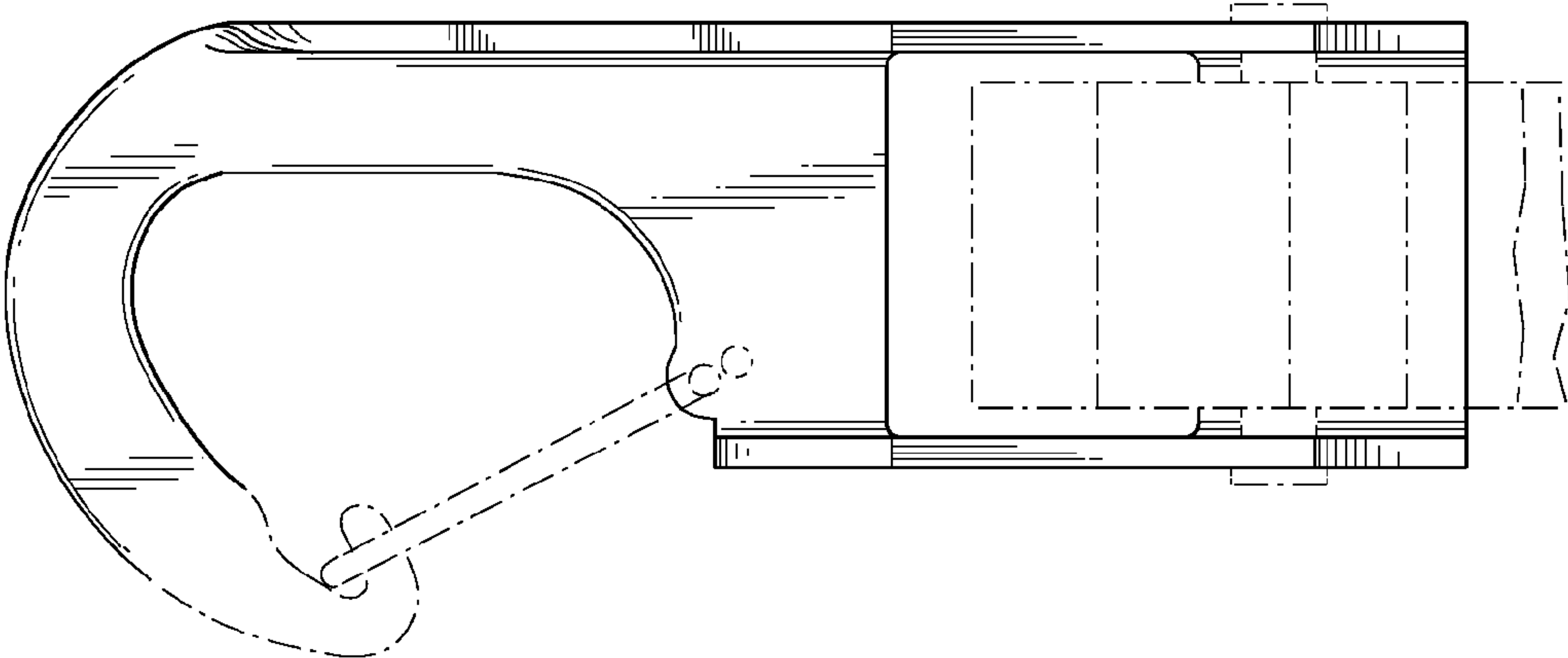


FIG.2

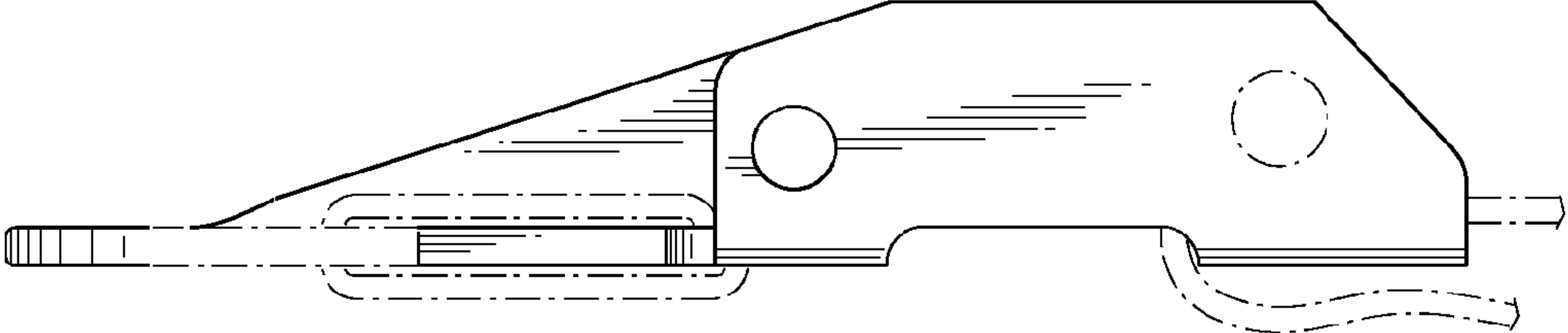


FIG.3

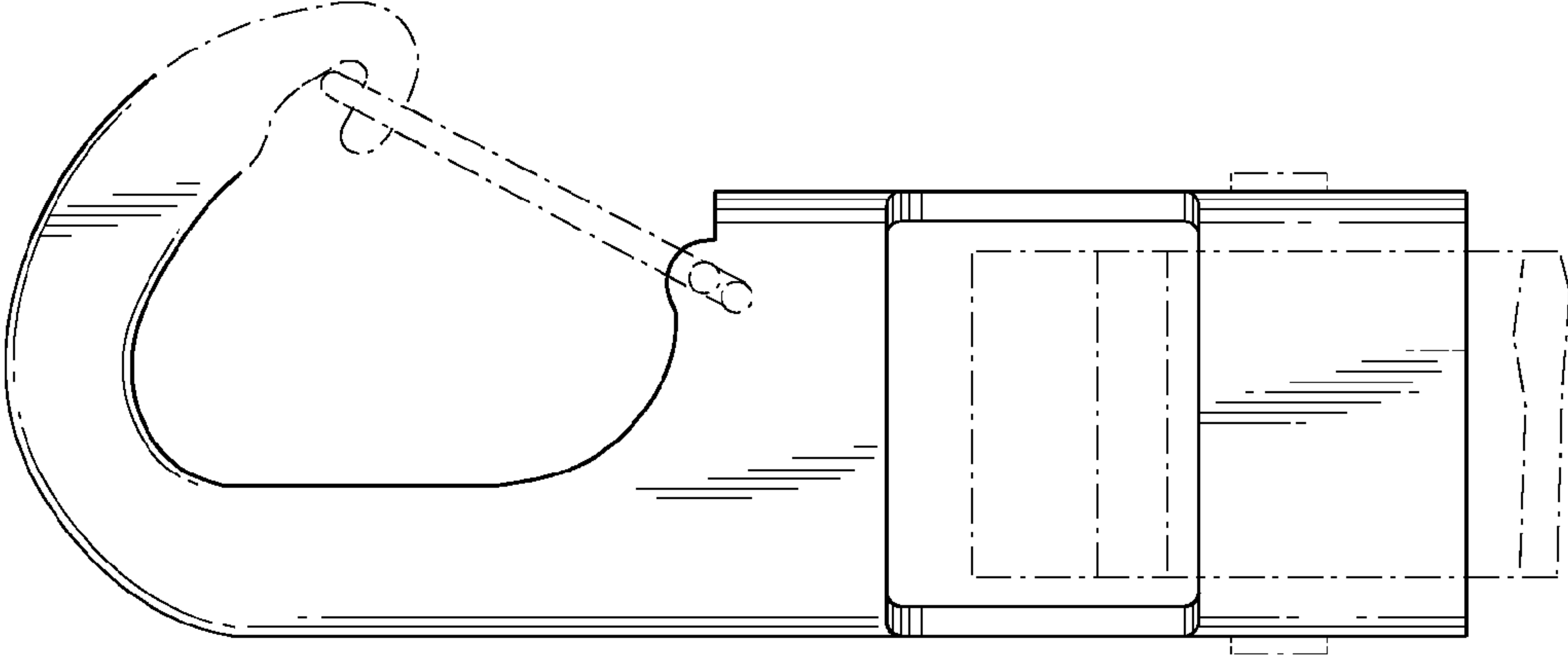


FIG.1

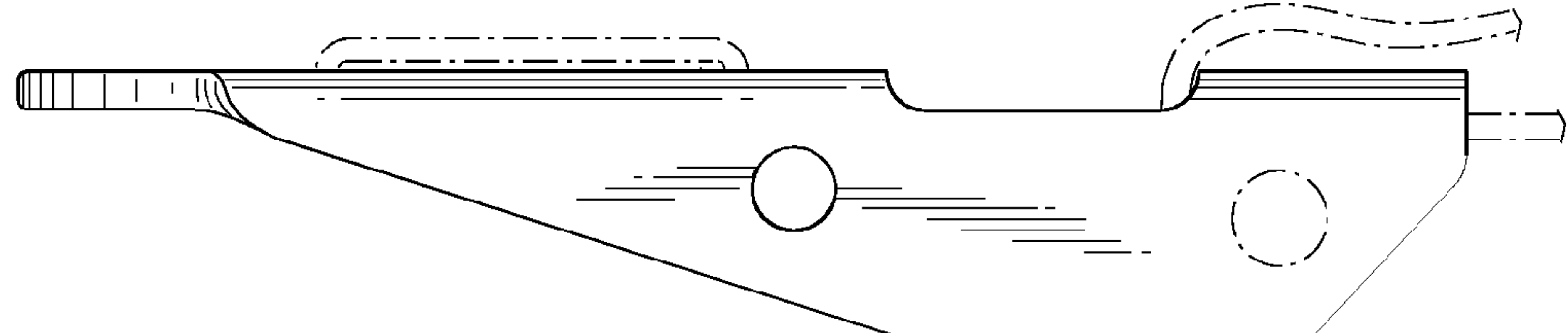


FIG.4

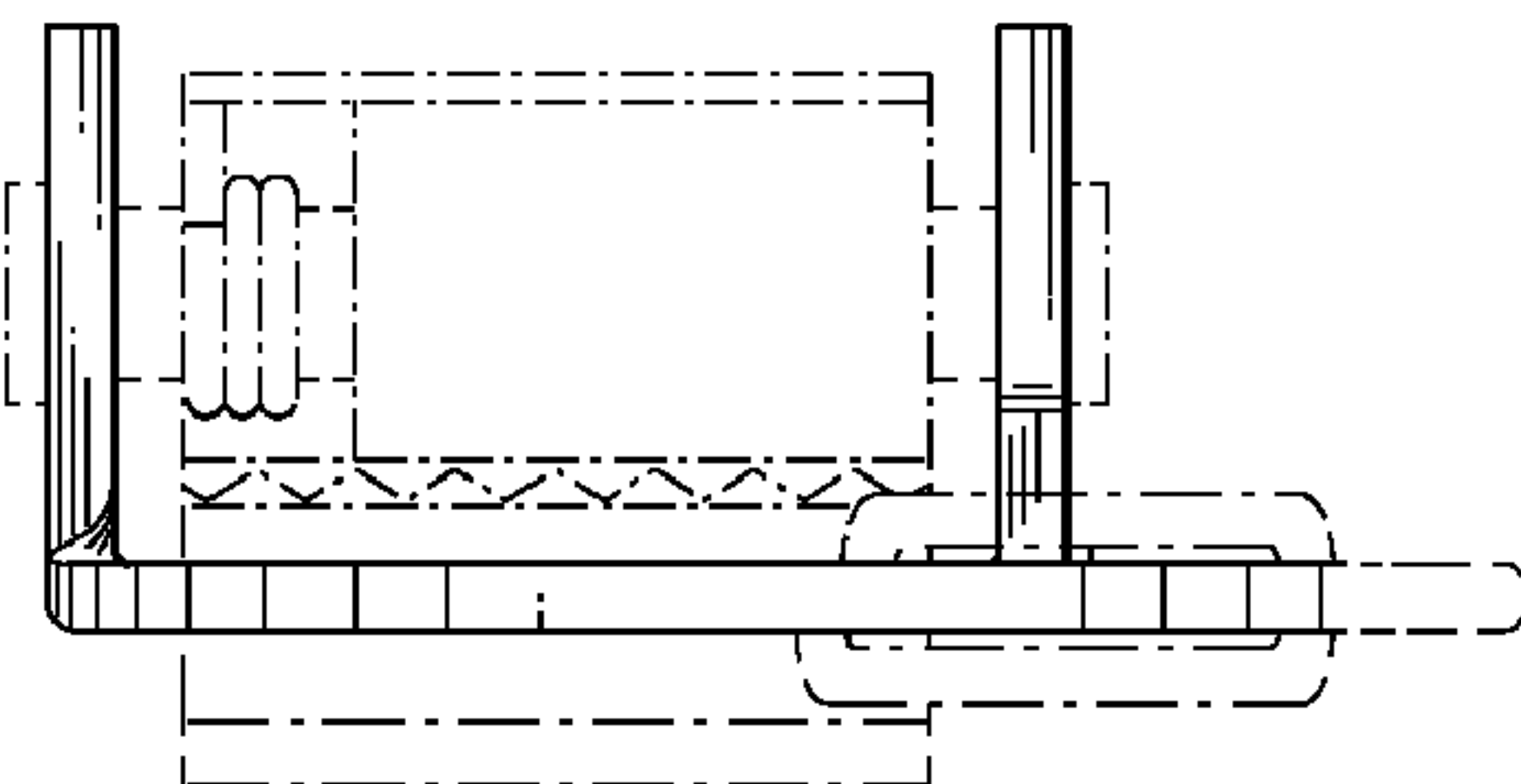


FIG.5

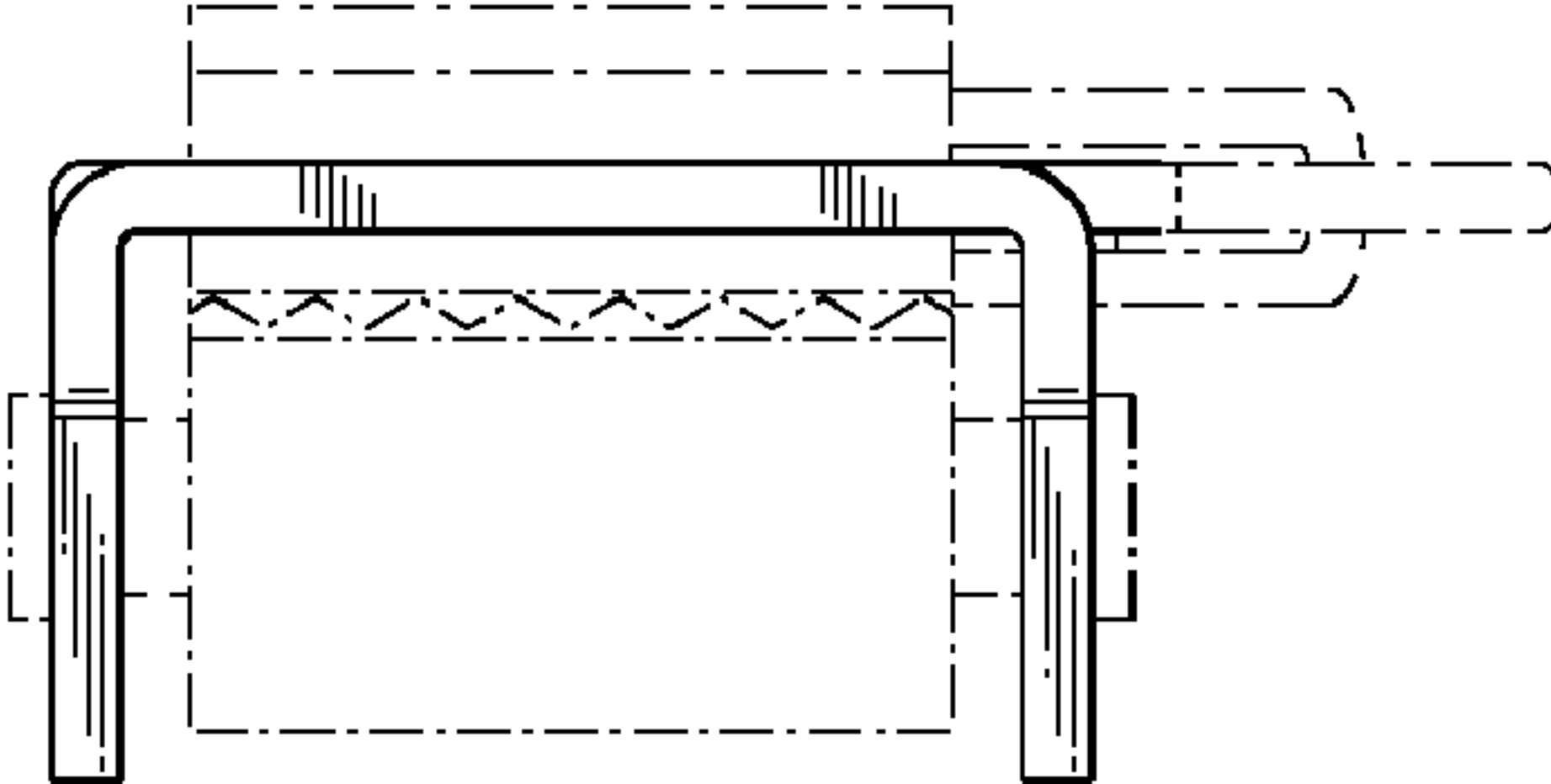


FIG.6

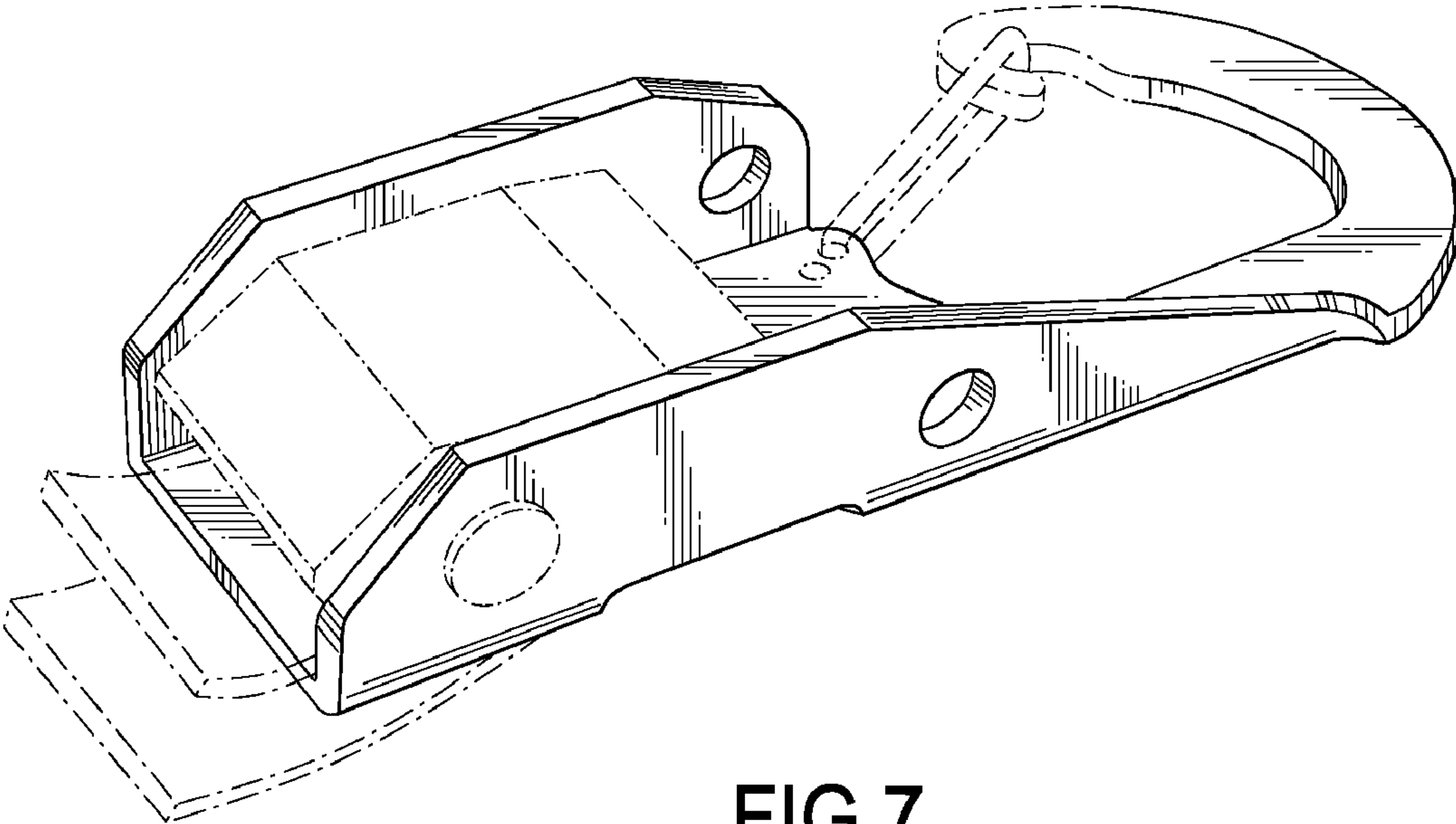


FIG.7

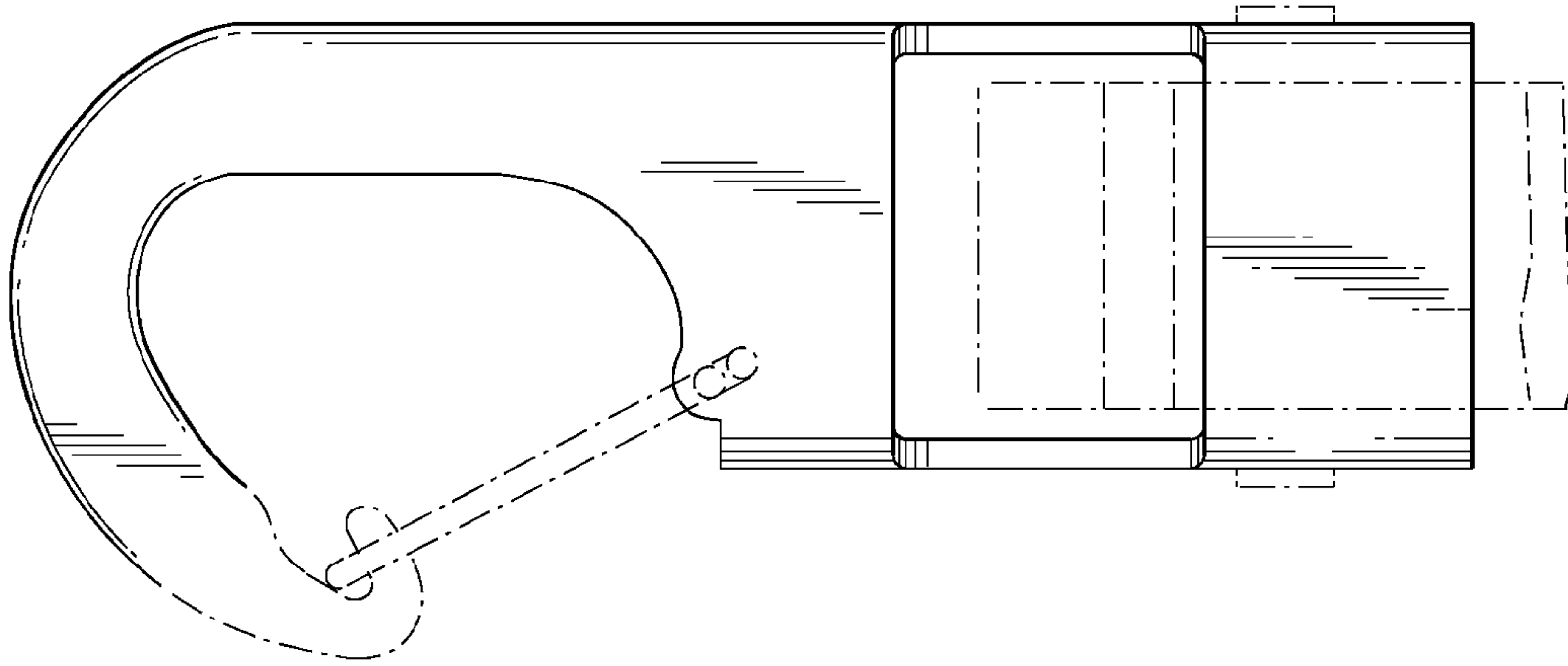


FIG. 8

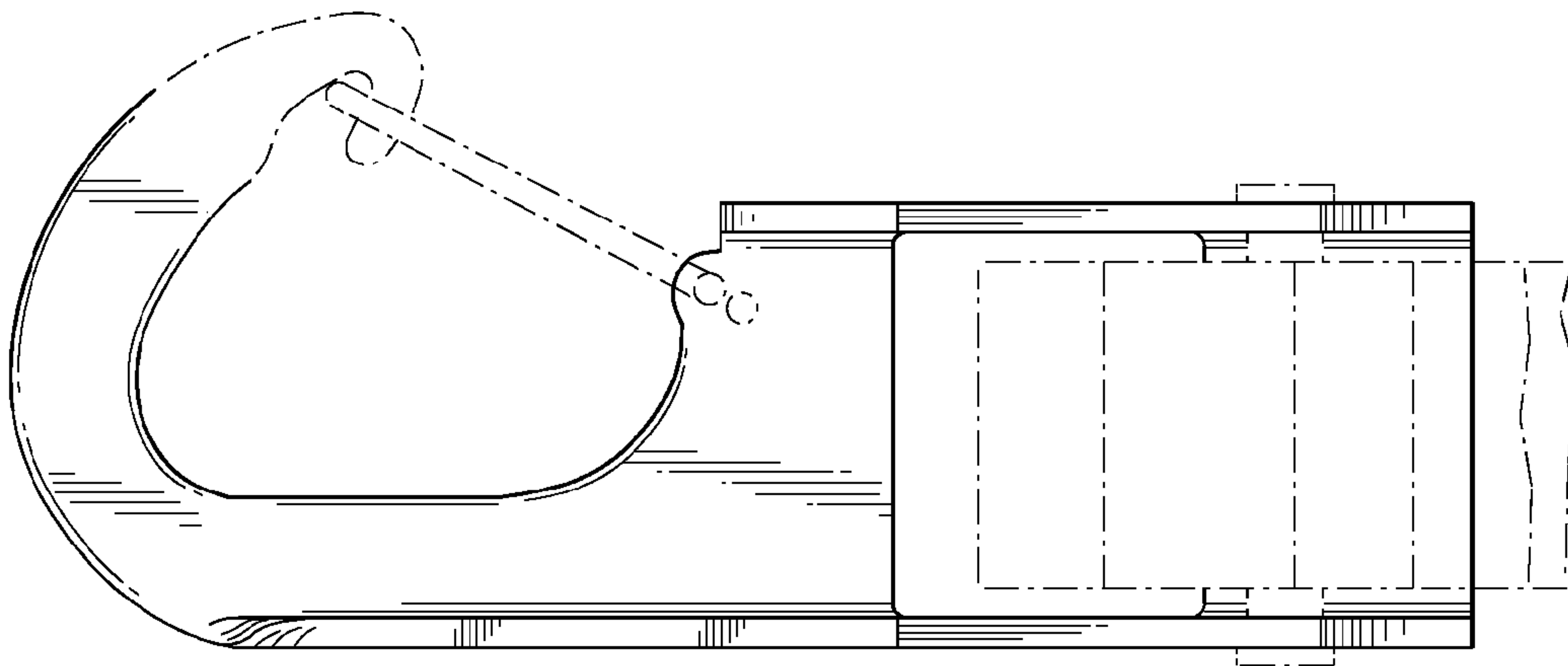


FIG. 9

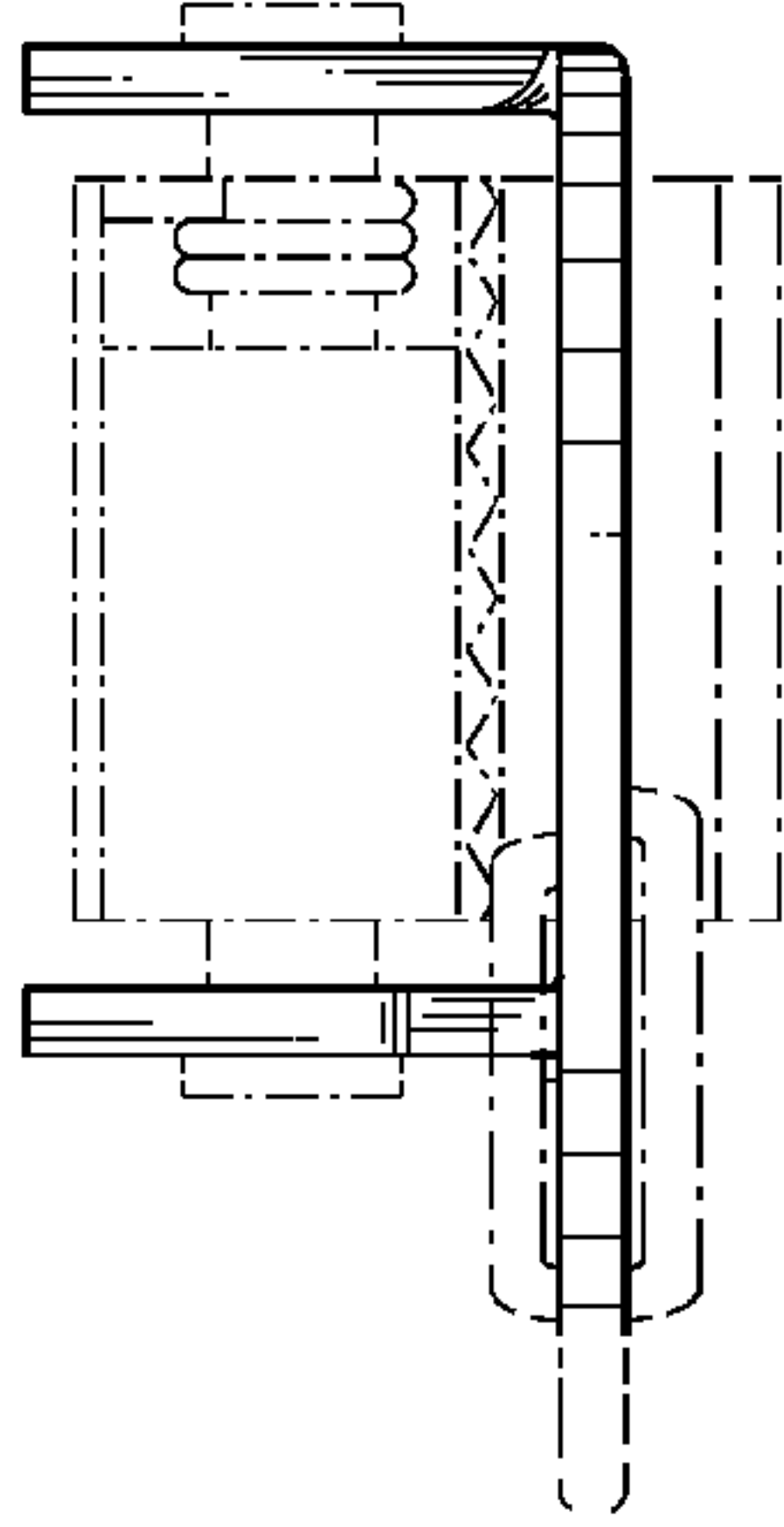


FIG. 10

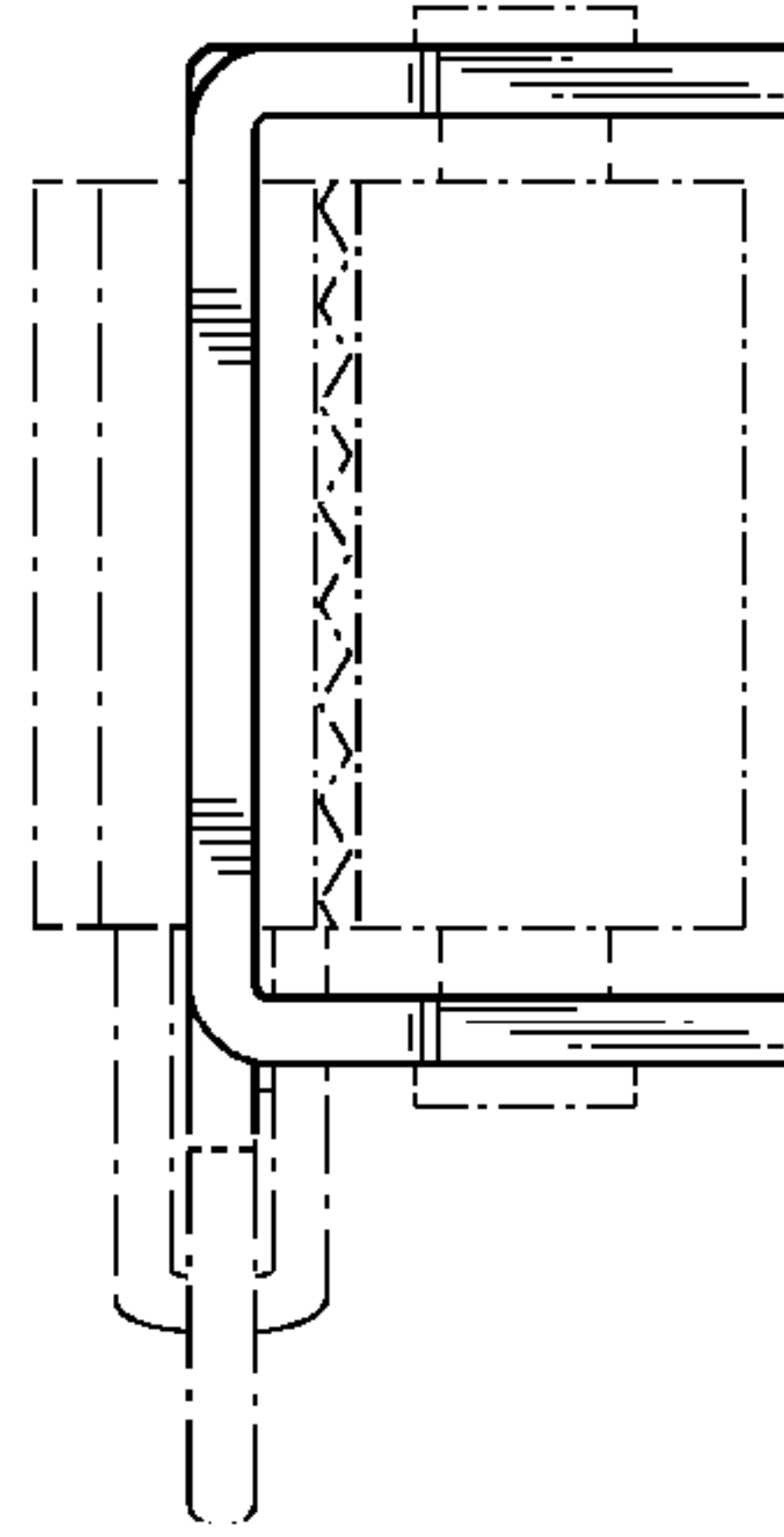


FIG. 11