

US00D628871S

(12) **United States Design Patent**  
**Jerabek et al.**

(10) **Patent No.:** **US D628,871 S**

(45) **Date of Patent:** **\*\* Dec. 14, 2010**

(54) **HAMMER**

(75) Inventors: **Jesse J. Jerabek**, Anderson, SC (US);  
**Kenneth M. Brazell**, Piedmont, SC  
(US); **David Wikle**, York, PA (US);  
**James E. Pangerc**, Williamston, SC  
(US)

(73) Assignee: **Techtronic Power Tools Technology  
Limited (VG)**

(\*\*) Term: **14 Years**

(21) Appl. No.: **29/344,917**

(22) Filed: **Oct. 6, 2009**

(51) **LOC (9) Cl.** ..... **08-02**

(52) **U.S. Cl.** ..... **D8/80**

(58) **Field of Classification Search** ..... D8/75-81,  
D8/105; 7/122, 143, 145-147, 901; 81/19-26  
See application file for complete search history.

(56) **References Cited**

**U.S. PATENT DOCUMENTS**

184,775	A	11/1876	Gray	
356,925	A	2/1887	Chamberlin	
1,596,602	A	8/1926	Eagan et al.	
D288,406	S	2/1987	Santos	
5,159,858	A *	11/1992	Gansen	81/23
D422,869	S *	4/2000	Chen	D8/80
6,170,362	B1 *	1/2001	Chen	81/22
D438,082	S *	2/2001	Stegner et al.	D8/78
D455,626	S	4/2002	Chen	
D460,337	S	7/2002	Shults et al.	
D474,667	S *	5/2003	Hung	D8/75

D478,266	S *	8/2003	Chen	D8/78
D497,789	S *	11/2004	Hung	D8/78
D505,609	S *	5/2005	Hung	D8/79
6,923,432	B1 *	8/2005	Martinez	254/26 R
D530,583	S	10/2006	Chen	
D534,409	S	1/2007	Chen	
D550,055	S	9/2007	Chen	
D556,532	S *	12/2007	Chen	D8/78
D611,796	S	3/2010	Davidson	
2006/0005667	A1	1/2006	Hung	

\* cited by examiner

*Primary Examiner*—Philip S Hyder

*Assistant Examiner*—Roselynn Cody

(74) *Attorney, Agent, or Firm*—Michael Best & Friedrich  
LLP

(57) **CLAIM**

We claim the ornamental design for a hammer, as shown and described.

**DESCRIPTION**

FIG. 1 is a perspective view of a hammer embodying the invention.

FIG. 2 is a left side view of the hammer shown in FIG. 1.

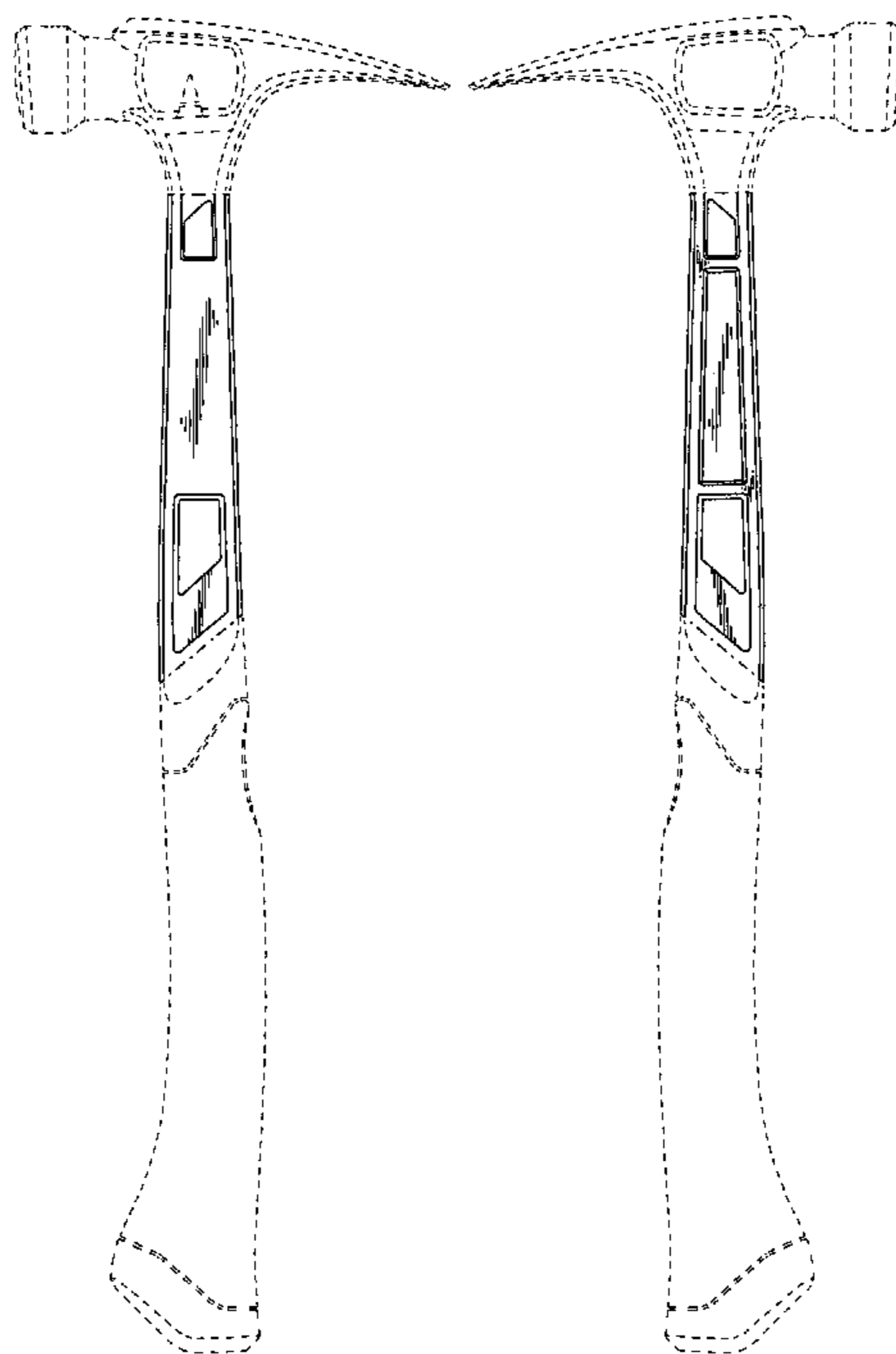
FIG. 3 is a right side view of the hammer shown in FIG. 1.

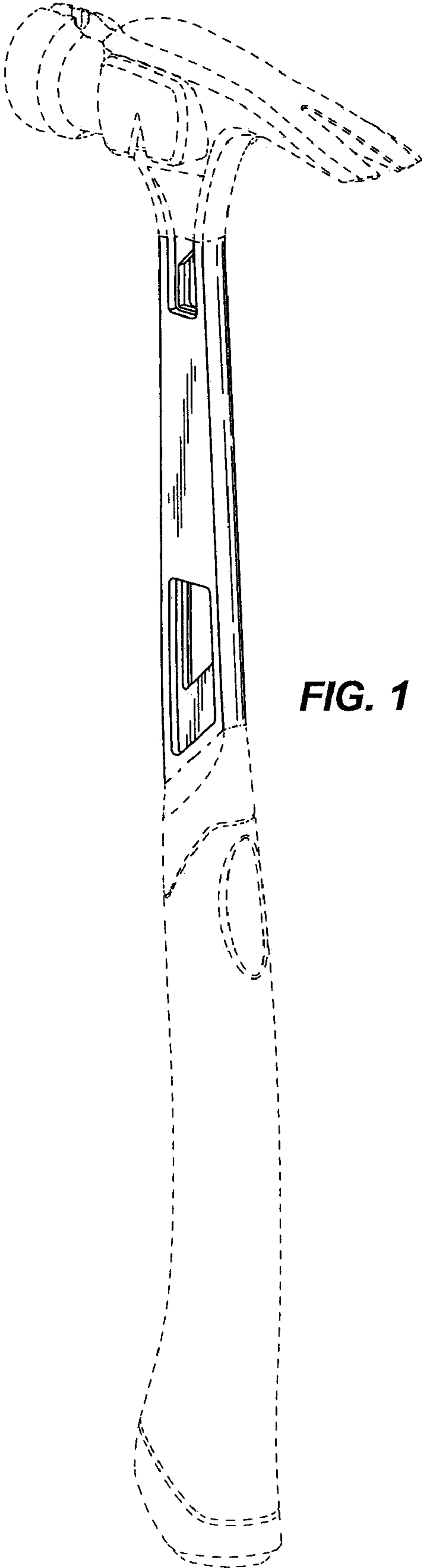
FIG. 4 is a front view of the hammer shown in FIG. 1; and,

FIG. 5 is a rear view of the hammer shown in FIG. 1.

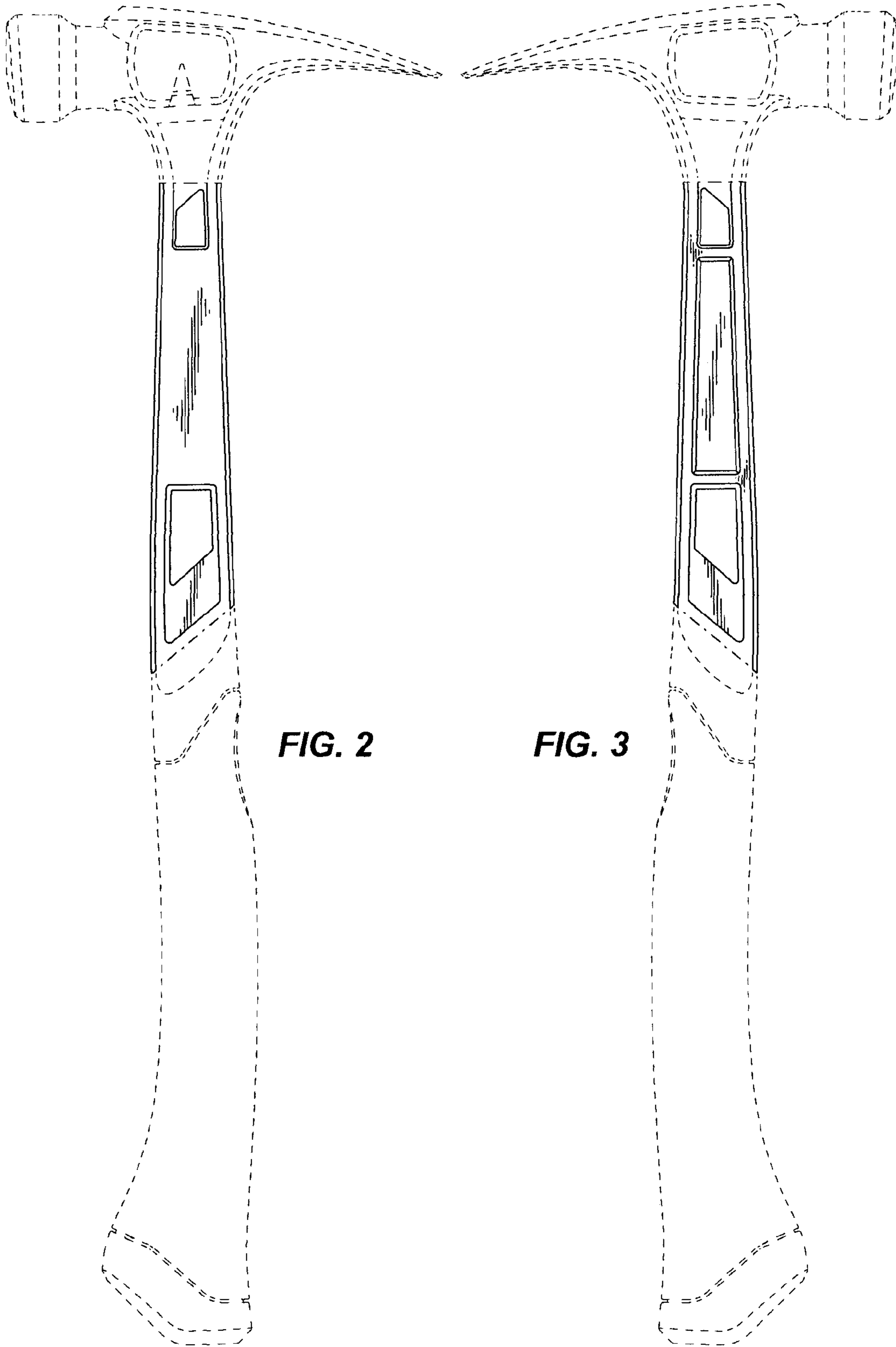
The elements shown in broken lines are included for the purpose of illustrating portions of the hammer that form no part of the claim.

**1 Claim, 3 Drawing Sheets**



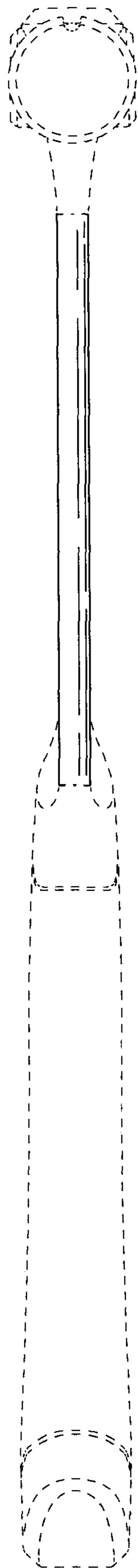


**FIG. 1**

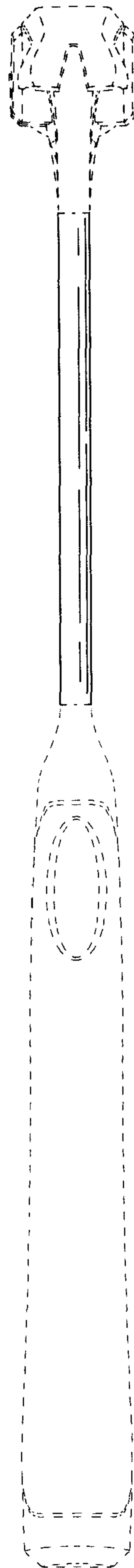


**FIG. 2**

**FIG. 3**



**FIG. 4**



**FIG. 5**